

AQUATICA™

Digital



OPERATING MANUAL FOR THE AQUATICA PRO DIGITAL HOUSING FOR THE CANON 1Ds Mk III

PRODUCT # 20060

Thank you for having selected the AQUATICA Pro Digital Camera Housing System for your underwater photography.

The AQUATICA Pro Digital Housing is the result of a long and continuing relationship with the most demanding underwater photographers in the world. Each housing is handcrafted, quality checked and pressure tested to 300 feet by a small group of specially trained individuals, each of whom takes the utmost pride and satisfaction in offering the best underwater camera housing in the world.

The Aquatica Pro Digital Housing was designed for optimum technical and optical performance and to provide easy and efficient underwater access to essential functions and controls of the Canon 1Ds Mk III DSLR.

This manual assumes that the User is already familiar with the Canon 1Ds Mk III camera. If not, please read the Canon instruction Manual before attempting to use the housing.

With basic care and maintenance, your AQUATICA housing will give you a lifetime of enjoyment and satisfaction in producing underwater images.

Please read this manual carefully before using your housing for the first time and note that: wherever cited the right hand is your right when using the housing.

SAFETY PRECAUTIONS:

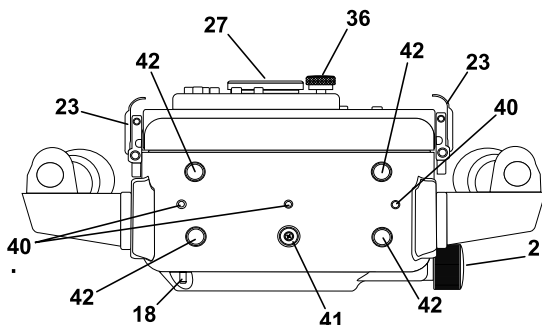
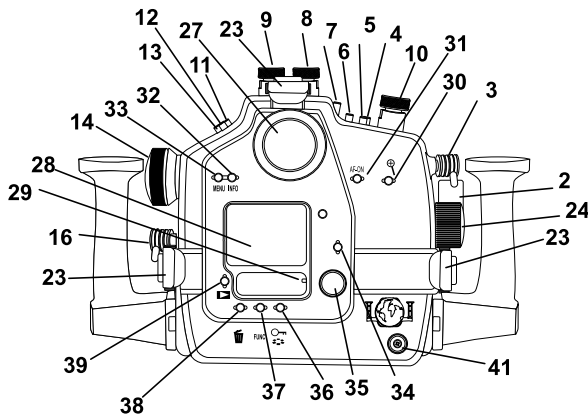
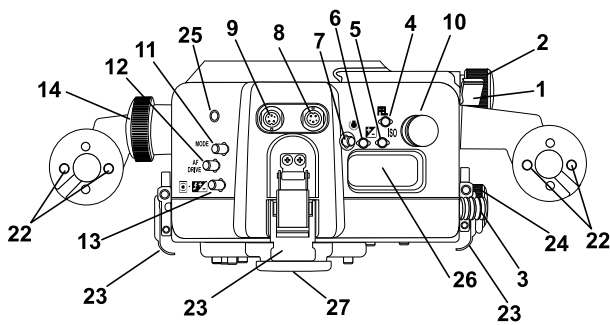
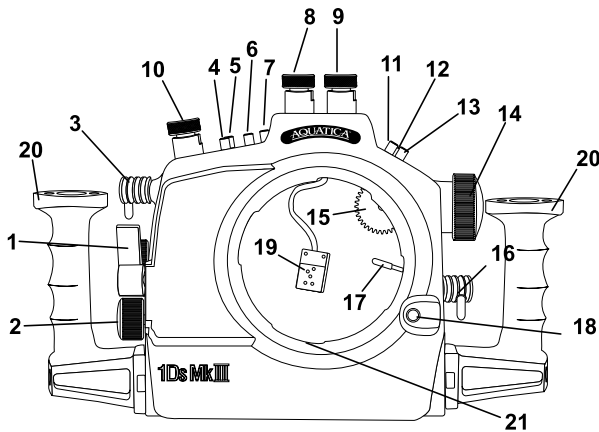
Improper transportation handling or use of this housing might cause a flood or malfunction.

Please read and follow the following precautions:

- Store and transport the housing in a sturdy, shock proof container and avoid travelling with the camera mounted inside the housing as impact forces especially on the external push buttons will be transferred to the camera.
- When travelling by air, either remove the port or open the housing.
- Never change a port or open the housing in a location where sand or similar foreign material might come in contact with an O-ring.
- Use of accessories or modifications and alterations unauthorized by the manufacturer may result in flooding or poor functioning of the controls.
- Be careful when opening the housing as the pressure buildup inside the housing will exaggerate the force of the latch spring. Keep fingers away from the path of the latches.
- Whenever changing ports or O-rings, perform a simple seal test with out the camera inside.
- Avoid scratching the acrylic or glass ports and windows.
- Make sure that all ports remain properly attached before rinsing the housing, especially when rinsing without a strobe make sure the Bulkhead connector is sealed with its plug.
- Never attempt to operate the camera in autofocus mode with the lens mounted focus gear engaged with the housing gear.
- The main O-ring seals should be maintained and cleaned on a regular basis. Read and follow the *Care and Maintenance* section on this manual.
- Ensure that the spring loaded secondary lock is properly engaged to prevent the accidental opening of latches.

AQUATICA™

Digital EOS-1Ds Mark III



- 1- Shutter Release lever
- 2- Main Command Dial knob
- 3- * "Star" button AE-lock lever
- 4- FE lock / multi spot metering button
- 5- ISO Speed set button
- 6- Exposure compensation button
- 7- LCD panel illuminator button
- 8- Secondary Bulkhead Connector
- 9- Main Bulkhead Connector
- 10- Accessory Bulkhead port
- 11- Mode, shooting mode selector / AEB button
- 12- AF-Drive / AEB button
- 13- Metering mode/flash compensation button
- 14- Focus/Zoom Control knob
- 15- Focus/Zoom Control pinion gear
- 16- Lens Release knob
- 17- Lens Release knob lever
- 18- Port Release mechanism button
- 19- Hot shoe connector
- 20- Grips (left & right)
- 21- Bayonet Flange
- 22- Grip's Accessories mounting holes (1/4"-20)
- 23- Latches (x3)
- 24- Quick control knob
- 25- Accessory mounting hole (1/4"-20)
- 26- Top LCD window port
- 27- Viewfinder Eyepiece
- 28- Rear LCD Monitor & Panel port window
- 29- Moisture alarm LED
- 30- AF point selector/ magnify button
- 31- AF-ON button
- 32- INFO button
- 33- Menu button
- 34- SET button
- 35- Power/Quick control dial switch knob
- 36- Protect/Picture Style setting button
- 37- FUNC button
- 38- Erase button
- 39- Playback button
- 40- Accessories mounting holes (x3)
- 41- Sacrificial Anodes (x2)
- 42- Rubber Anti Skid pad (x4)

1. **SHUTTER RELEASE LEVER:** Pulling the shutter release lever back part way activates the camera meter and auto focus. Pulling the lever back all the way fires the camera.
2. **MAIN COMMAND DIAL KNOB:** Rotate clockwise and counterclockwise. Use alone or in combination with other controls to select or set various camera functions or modes. In "Manual" exposure this knob controls the aperture or shutter settings (see camera manual).
3. * **"STAR" FUNCTION BUTTON:** press to engage AE lock feature or customize as per section 10 of the Canon EOS 1Ds MK III manual (C. Fn I-14 or C. Fn IV-2)
4. **FE LOCK / MULTISPOT METERING BUTTON:** Push to select the desired function mode, either flash exposure lock or multi spot metering.
5. **ISO CONTROL BUTTON:** Press to select ISO, use in conjunction with main (#2) or quick (#24) command dial control to select proper ISO.
6. **EXPOSURE COMPENSATION BUTTON:** Press to engage the Exposure compensation control [+/-].in conjunction with main (#2) or quick (#24) command dial control to set the desired exposure compensation value. The value will appear in the Top LCD panel and in the Viewfinder.
7. **LCD PANEL ILLUMINATOR BUTTON:** Pressing this button will illuminate the LCD panels of the camera.
8. **SECONDARY BULKHEAD CONNECTOR:** For Flash Sync Cord. (Manual Nikonos Type by default other option available on request).
9. **MAIN BULKHEAD CONNECTOR:** To connect Flash Sync Cord. (Manual Nikonos Type by default other option available on request).
10. **ACCESSORY BULKHEAD CONNECTOR:** (Optional) for additional strobe or remote control connector
11. **MODE /AEB SELECTOR BUTTON:** Press to engage and select the shooting mode, can be used in conjunction with the AF-DRIVE button (#12) to activate the AEB function. This button can also be used in conjunction with the AF-DRIVE button (#12) to activate the AEB function.
12. **AF-DRIVE/ AEB SELECTOR BUTTON:** Press to select the AF mode or drive mode using either the main (#2) or quick (#24) command dial control to set the desired value. This button can be used in conjunction with the MODE selector button (#11) to activate the AEB function.
13. **METERING MODE/FLASH EXPOSURE COMPENSATION:** Press and rotate main command knob (#2) to select metering pattern or rotate quick control dial knob (#24) to select flash exposure compensation.
14. **FOCUS/ZOOM KNOB:** Turning allows manual focus of a single focus lens or rotation of the zoom mechanism of a lens.
15. **FOCUS/ZOOM PINION GEAR:** Engages and operates the focus or zoom gear attached to the lens.
16. **LENS RELEASE KNOB:** activates the lens release button on the camera allowing easy removal of the lens.
17. **LENS RELEASE KNOB LEVER:** Applies pressure on the camera lens lock button
18. **PORT RELEASE MECHANISM BUTTON:** Press down to release the locking mechanism when installing or removing a port or extension.
19. **HOT SHOE CONNECTOR:** connects the camera to the Flash Bulkhead. Slide this Connector into the camera Hot Shoe. When detaching do not pull the cord as this might damage the electrical connections.
20. **HAND GRIPS (X2):** Left and right grip allowing the mounting of strobe arms and accessories.
21. **BAYONNET MOUNTING FLANGE:** allows the mounting of different ports and extension rings on the housing.
22. **GRIP'S ACCESSORIES MOUNTING HOLES:** Two 1/4-20 TPI holes on each grips are ready to accept TLC Base Brackets or TLC Base Ball for strobe arms or accessories.
23. **LATCHES:** Three heavy duty latches with safety locks to protect against accidental opening.

24. **QUICK CONTROL KNOB:** Rotates clockwise and counterclockwise. Use alone or in combination with other controls to select or set various camera functions or modes. In "Manual" exposure this knob controls the aperture or shutter settings (see camera manual).
25. **MOUNTING HOLE FOR ACCESSORY:** a 1/4"-20 TPI hole is supplied to accept a TLC accessory or TLC base ball for mounting a strobe arm or a modeling light.
26. **TOP LCD WINDOW PORT:** Allow the viewing of the top LCD and its information.
27. **REMOVABLE VIEWFINDER:** A full view of the illuminated camera viewfinder displays all necessary information. Can be removed and replaced with optional Aqua View Finder for a larger image
28. **MONITOR DISPLAY WINDOW:** allow viewing of menus, information and images
29. **MOISTURE ALARM WARNING DIODE:** Warning LED will light up in the unlikely event of water penetrating the housing.
30. **AF POINT SELECTOR/MAGNIFY BUTTON:** Press to select the desired AF points using either the main (#2) or quick (#24) command dials controls.
31. **AF-ON BUTTON:** Press to activate auto focus. This button can be reassigned with custom functions (see section 10 of the Canon 1Ds Mk III manual)
32. **INFO BUTTON:** Press to display information on shooting mode, can be used to display histogram in playback mode
33. **MENU BUTTON:** Press to activate menu display, scroll using either the main (#2) or quick (#24) command dial controls, then press SET button (#35) to confirm selection.
34. **OK BUTTON:** Press to acknowledge selected function.
35. **POWER/QUICK CONTROL DIAL SWITCH KNOB:** used to power the camera and switch the Quick control dial on.
36. **PROTECT/PICTURE STYLE BUTTON:** Press to lock an image from deletion or to select picture style in shooting mode.
37. **FUNC BUTTON:** Press once or twice to access the various functions allocated to this button (refer to the Canon 1Ds Mk III manual for further information).
38. **DELETE BUTTON:** Press to delete images and access the various options associated with this button.
39. **PLAYBACK BUTTON:** Press to activate the monitor and review images.
40. **MOUNTING HOLES:** Three 1/4" X 20 holes are provided for mounting strobes trays or accessories.
41. **SACRIFICIAL ANODES:** (2X) zinc anodes are installed to protect your housing against salt water corrosion; these are made to deteriorate easier than the other strategic part of your housing, hence the name sacrificial anodes. These anodes need to be replaced by the user as needed.
42. **RUBBER ANTI SKID PADS:** Four rubber pads are provided to protect the housing and preventing it from sliding on wet decks.

The *Aquatica Pro Digital* housing serie is issued from the world's most technologically advanced underwater housing lineage, ergonomically designed to place all the essential camera controls under your finger tips and features the following:

- A. A port locking mechanism to prevent accidental rotation of the port or extension mounted on the housing
- B. A Lens Lock Release control that will activate the lens release button of camera from the outside of the housing.
- C. A quick release tray, allowing fast and easy removal of camera.
- D. Large ergonomic and easy to operate controls for most of the manual and computerized camera functions.
- E. The following controls can be easily manipulated underwater:
 - Mechanical shutter release.
 - Main-Command Dial
 - Aperture and shutter speed through the Main or Quick command Dial
 - Focus / Zoom control
 - LCD panel illumination.
 - Top LCD windows
 - Metering system selector
 - Auto Bracketing (BKT)
 - Exposure mode (Mode)
 - Exposure Compensation
 - Focus Area Selector
 - ISO sensitivity
 - Delete button access
 - Live view access
- F. A complete selection of bayonet mounted ports including an 6", 8" and 9.25 diameter dome, two flat ports and various extension rings to preserve the image quality of your Canon Mount EF lenses.
- G. A complete line of lens gears and related accessories.

PREPARATION OF THE HOUSING

1. Attach Grip to the housing:

The housing comes with two grips for both right and left hand grips which should be installed on the sides of the housing with the supplied screws and Allen key. Occasionally remove the grips and lubricate the screws (see Care and Maintenance: of the housing.)

Depending on which strobe system you are using, you can mount the necessary shoes or brackets onto the 1/4"-20 threaded holes on the top of the hand grips. The AQUATICA TLC strobe arm system is recommended.

There are also three (3) 1/4"-20 threaded holes on the bottom of the housing that can be used for various mounting application trays. As well there is another hole on front half of the housing for mounting accessories.

Mount your strobe and connect the sync cord to the housing's strobe bulkhead. Be sure to read the section titled "Care and Maintenance: of the O-rings."

2. Lubricate the Main O-ring Seal:

Before use, remove the Main O-ring seal from its groove on the front half of the housing and carefully verify that the O-ring and the O-ring groove are free from scratches or foreign material. Lubricate the O-ring with a light coat of silicone grease.

When replacing the O-ring place the entire O-ring over the O-ring groove and start by pushing the O-ring in the corners. Work your way around the O-ring making sure the O-ring is snugly sitting in the groove.

For proper handling and maintenance of O-rings be sure to read the section titled "Care and Maintenance: of the O-rings."

1. Select the correct port:

Depending on whether you've decided to shoot macro or wide angle photography, you will be installing either a flat Macro Port (product # 18426 or 18428), or a Dome Port (Product # 18405*, 18407 or 18409). See *lens chart for the suggest port and accessories*.

* an extension is needed at all time with this port

Macro Port Extension Rings: the Macro Ports will accept short standard and macro lenses without extension. If you intend to use a longer lens you will require an additional extension ring. These extension rings fit between the Macro Port and the housing to provide the extra space necessary for the longer lens.

Dome Port Extension Rings: When using a wide angle or zoom lens, the Dome Port may require the uses of an extension ring to closely match the optical center of both the dome and the lens.

In order to reduce glare, maximize contrast and offer physical protection to the dome, the use of a dome shade is highly recommended. See *lens chart for the suggested dome shade*.

A comprehensive list of the lenses supported and their required extensions and/or accessories is supplied at the end of this manual. For the latest updated version of this lens chart, you can refer to the Lens Chart on www.aquatica.ca

2. Clean the port:

Dirt, grease or fingerprints on the port especially on the inside, can adversely affect the quality of the image. Acrylic ports should be cleaned with plastic cleaner and the glass ports should be cleaned with lens cleaner. For more details be sure to read the section titled "*Care and Maintenance: of the Ports.*"

3. Lubricate the port O-ring seal:

Before using the port, remove the O-ring on the rear of the port and lightly coat it with silicone grease. For more details be sure to read the section titled "*Care and Maintenance: of the O-rings.*"

PREPARATION OF THE LENS

Depending on the lens used, there are a number of gear options possible. Using the right gear and correctly mounting them on the lens is very important for a smooth operation. Follow the installation directions included with each gears carefully. Since the aperture control is achieved through the Main or Quick Command Dial, the use of lenses of the EF types is mandatory.

A comprehensive list of the lenses supported and their required gears is supplied at the end of this manual. For the latest updated version of this lens chart, you can refer to the Lens Chart on www.aquatica.ca

Notes: If the camera is set in manual focus a focus gear must be mounted on the lens. If you are using a zoom lens with a zoom ring the camera must be on auto focus, also note that if using a dome port you may need to install a closeup diopter on the lens to correct the minimum focusing distance of the lens so that it will be able to focus on the virtual image created by the dome. See *lens chart to confirm if a close-up lens is suggested for your lens/port combination*.

Gear installation:

Mount the focus gear over the focus ring of the lens.

(a) For Slip-on gears (gears without mounting screws): Slide the gear over the lens and align the gear with the front of the lens focusing ring.

(b) For gears with mounting screws: Tighten the three set screws evenly. Tighten each screw approximately ½ a turn working around the gear until all the three (3) screws are tightened, and the gear is concentric with the lens body.

CAUTION: Do not over-tighten these screws, as this might bind the lens, thus restricting the rotation of the focus ring and/or damaging the lens. Conversely under-tightening these screws might cause the gear to slip or loose alignment.

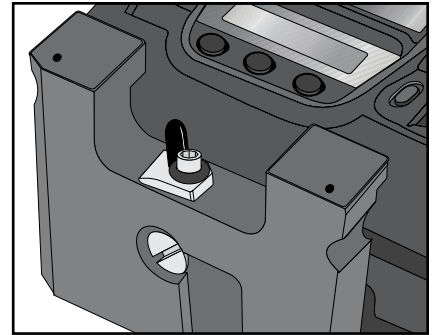
Rotate the focus ring several times to make sure it moves smoothly and the gear does not slip before closing the housing

WARNING: If the lens is a not of the USM type, never attempt to manually operate the focus with the camera in autofocus mode and with a mounted focus gear engaged. This might cause serious damage to your camera or to the lens. With standard EF lenses you must select the method of focusing prior to installing the lens in the housing.

Zoom lenses: When using a zoom lens, the gear should be mounted on the zoom lens control. The housing focus control then becomes the zoom control. Focusing of lens is achieved by using the camera's autofocus system.

CAMERA PREPARATION AND INSTALLATION

1. **Important Note:** prior to installing the camera in the housing, remove the camera strap, "D" Clips and/or any object that might obstruct installation or get in the way of that attach the strap should be removed or tucked away
3. Make sure the lens lock lever is in the proper UP position
4. Remove the saddle from the housing and carefully place the camera on it and ensure the camera is properly installed and aligned as follows:
 - a) The camera is properly aligned and secured against rotation or movement.
 - b) Align the Tripod Socket of the camera with the mounting screw. Tighten the mounting screw securely while ensuring that the camera position is not altered. set arresting block as per drawing at right.
 - c) Slide the quick release tray back and lock into place as per drawing at right.



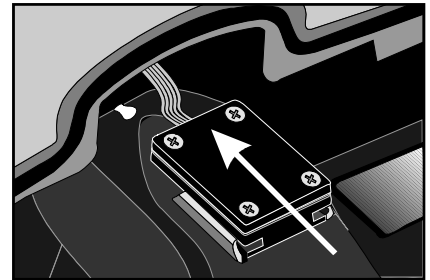
CLOSING OF THE HOUSING

Once the camera is secure on the saddle inside the front half of the housing, simply:

1. Slide the housing's hot shoe connector onto the hot shoe base of the camera, as seen in drawing at right.

Before closing the housing always ensure that:

1. The main O-ring on the front half of the housing is clean, lubricated and properly seated for a positive seal.
2. The sealing surface on the rear half of the housing is clean and free from any scratches or physical damage.
3. All cords or wires are tucked in so that they do not interfere with the closing of the housing.



To close the housing simply:

- i. Join the front and rear halves of the housing using the two dowel pins at the bottom of the housing as a guide.
- ii. Hold the housing with both hands and look around the sealing surface to ensure that the O-ring remained properly seated and that no cords, wires or "D-rings" are caught between the edges.
- iii. First close the two sides latches simultaneously, then the top one. reverse the process to open housing

CAUTION: if you feel any resistance as you attempt to close the latches, do not force the closure. Check for an obstruction and try again.

- iv. Verify that the safety locking mechanisms of the latches are properly engaged to avoid any accidental opening.

With the camera inside the housing, install the lens prepared with the gears through the port opening in the front of the housing. Ensure that the lens mounted gears are properly installed and aligned. Rotate the focus / zoom control knob to ensure that the gears are properly meshed, do not grind and that their rotation is smooth.

Note: To avoid damaging the auto-focus mechanism of the camera when using standard EF type lenses, you should always set the Focus Control to "M" Manual for testing the proper meshing of a focusing gears. this procedure is not required with USM type lenses.

CHANGING A LENS (REMOVING A LENS)

The lens mounted gears may restrict the view and ease of access to the lens release button of camera. The AQUATICA Pro Digital Housing features a Lens Release Lever (key # 16) that is designed to trigger the lens release button of camera to allow easy removal of lens.

To remove a lens, simply rotate Lens Release Lever (key # 16) counterclockwise, hold and turn the lens couterclockwise.

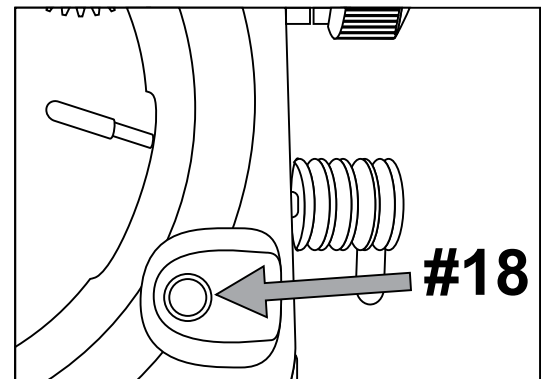
MOUNTING THE PORT

Before mounting the Port on the Housing always ensure that the port O-ring is clean, lubricated and properly seated in its groove and that he sealing surface on the Housing is clean and free of physical damage.

The *AQUATICA Pro Digital* Housing System features a locking bayonet mount. To mount the port or extension ring simply:

1. Place the housing on its back on a soft steady surface.
2. Place the port or extension ring inside the main port of the housing. Align one of the four alignment notches with the opening of the housing.
3. Place your hands on opposite sides of the port or extension ring.
4. Push with even force on both sides of the port or extension ring until you feel it snap into place. Make sure the bayonet is completely inside the housing.
5. Finally press the port lock button down (#18), turn the Port clockwise until it stops and then release the port lock button. Do not force it. If there is too much resistance take the port off, check the O-ring and retry. To remove, press port lock button down (#18) and turn the port counter clockwise.
6. Check to ensure for the proper seating and sealing of the port or extension and that it is safely locked on the housing.

Note : It is recommended that you familiarize yourself with this mount by trying it without the camera, this will allow you to see the inside view of the bayonet mount and of the ports or extension rings in the housing.



MOUNTING AND ATTACHING FLASHES

Depending on which strobe system you are using, you can mount the necessary shoes or brackets or Base Ball onto the threaded holes on the top of the hand grips. Use of the Aquatica TLC Strobe Arm System is recommended.

There are also two 1/4"-20 threaded holes on the bottom of the housing that can be used for various mounting applications. For example, Aquatica TLC makes a strobe arm mounting tray that will fit on the bottom of the housing. A 1/4"-20 threaded hole on top of the front half of the housing will accept an Aquatica bracket or Base Ball that can hold a small dive light or a strobe arm.

The *AQUATICA Pro Digital* housing can be fitted with a standard manual double bulkhead connector for strobes. Also available are Ikelite manual or S6 type TTL connectors. When preparing the sync cord be sure to lubricate the O-ring on the sync cord's connector with a light coat of the recommended O-ring lubricant. Also advisable is to put a light coat of O-ring lubricant on the threads of this connector.

TAKING A PICTURE

Following are the basic techniques. For more information and advanced photography please study the Canon 1Ds Mk III instruction manual.

NOTE * The Canon 1Ds Mk III allows the user to customize many of its controls to better suit the photographer's current needs, careful reading of the section 10 will provide useful information on how to optimize this camera for the underwater photographer's requirements.

1. Push the Mode dial button (# 11) and select the desired exposure mode with the main or quick command dial knobs, the chosen mode will appear on both the Viewfinder (# 27) and Top LCD window (# 26). Exposure Mode options in sequence are: Programmed Auto (P), Aperture Priority Auto (Av), Manual Exposure (M), Shutter Priority Auto (Tv) and BULB for very long exposure (use of the Aquatica Remote grip #19302 is recommended for this mode).
2. Control of Auto Exposure compensation (# 5) is achieved by pushing down the button to engage compensation function, select proper parameter by using either the main or quick command dial knobs.

Note: When using a flash, it is recommended that the camera be used only in Single Frame Motor Drive or there is the possibility that the camera will fire before the flash can recycle.

3. Push the Metering System Knob (# 13) and select the metering system symbol you wish to use in the LCD panel.
4. Pull the Shutter Release Lever (#1) partially back. This will activate the camera's meter and autofocus system.
5. If using manual focus use the Focus Knob (# 14) on the housing or on the flat port to focus.
6. If using the Manual adjust the Main Command Knob (# 2) or Quick Command (# 24) to set the shutter speed and aperture value.
7. Pull the Shutter Release Lever (key # 1) the rest of the way until the camera fires.

NOTE : Select the proper focus mode with the focus mode button (key # 16) and the main command knob on the housing. For more detailed information concerning the operation of the different focus modes consult the Canon instruction book for the Canon 1Ds Mk III.

USING THE HOUSING

Whenever changing ports or O-rings, it is highly advisable to perform a simple seal test without the camera inside. Strapping a weight to the housing and lowering the unit to a depth of 30 to 50 feet of water for at least 10 minutes will assure you that the seating of the new port or o-ring is proper. This test, though time consuming and often considered unnecessary, may save your camera equipment from irreparable water damage. The housing is now ready for the dive.

CAUTION: Never jump into the water with the housing. It is best to have the system handed to you after you have made your entry, or have it lowered to you on a rope. Make certain that ropes of other equipment stay clear of the system.

When photographing, be sure to respect the environment. Avoid damaging marine life or manipulating sea creatures to obtain a pleasing photo. The housing is slightly negatively buoyant so that you can lay it down on the bottom, but avoid laying it on living coral or other delicate marine life.

Changing the memory card

Always take care to thoroughly dry the housing before opening it to change memory card. Wipe the housing off with a dry towel. If possible it is suggested that the housing be blown dried by directing an air nozzle around the main o-ring before opening.

Rest the housing on its front with the lens facing down, be careful to protect the port surface, release the top latch first then the two side latches simultaneously. Lift the rear part of the housing and place it in a secure location. This minimizes the possibility of any residual water falling into the housing and on to the camera when the housing is opened or damage to the sealing surface.

TRANSPORTING THE AQUATICA Pro Digital housing

Store the AQUATICA Pro Digital housing in a sturdy, shock proof container. **When travelling by air, remove or loosen the port.** This allows for equalization of the air pressure inside the housing to the external air pressure. Failure to do so may cause serious damage to the acrylic ports. Avoid travelling with the camera mounted in the housing. If you must do so, remove the lens as external impact or shocks can damage the camera bayonet mount.

CARE AND MAINTENANCE

Of the housing:

After each and every salt water dive, your housing system should be soaked or rinsed in fresh water. The housing system should soak in fresh water for at least 30 minutes. During this soaking period reach into the water and operate all the controls several times.

Be sure to remove the housing's main o-ring and clean it after every use. Refer to Maintenance: Of the O-rings. To ensure that the hand grips won't fuse on to the housing due to the exposure to salt water, it is also a good practice to occasionally remove the hand grips. Clean and lubricate the bolts with a small amount of WD-40.

WARNING: Use WD-40 carefully, sparingly and only on metal to metal surfaces. WD-40 can damage the acrylic on the ports, the optical surfaces on lens as well as the O-rings.

Of the Ports:

Care should be taken with the Dome Port and Macro Port to avoid scratches on the lens surface. The acrylic port is softer than glass so minor exterior scratches are often unavoidable. However, since the indices of refraction for acrylic and water are almost equal the scratches will not seriously impair image quality. Internal scratches (air side) must be avoided as they do not fill in with water and will affect the quality of the image.

Clean the dome using only products recommended for cleaning acrylic and a soft lint free cloth. Dust on the interior surfaces of the port can be removed with a soft camel hair brush or a blower brush. Caution must be taken when using aerosol devices as not to spray the lens material with the liquid propellant as this may seriously affect the optical properties of the port. Use of pressurized air from a dive tank is not recommended, the force of the air stream may easily dislodge a port or O-ring, It is advisable that ports should be removed and serviced after every dive.

Of the Latches:

The three latches of the *AQUATICA Pro Digital* are designed to have a locking action to prevent accidental opening. Always ensure that the locking mechanism is secure. Watch for the build-up of corrosion or salt residue around the latches. This will appear as a white material. Lubricate the latches with a small amount of WD-40 to remove the corrosion or salt residue build-up.

Of the O-Rings:

The O-rings that need to be maintained on a regular basis are the main housing O-ring and the O-ring on the lens port. The main O-ring should be cleaned on a daily basis and the port O-ring should be cleaned daily or each time the port is changed.

Of the sacrificial anodes:

The two anodes attached to the bottom and rear of the housing are there to prevent corrosion due to electrolysis, as time goes they will deteriorate and need replacement, contact your dealer for replacement (parts # 19220).

TO SERVICE O-RINGS ON THE HOUSING MAIN O-RING, PORTS AND EXTENSION RINGS

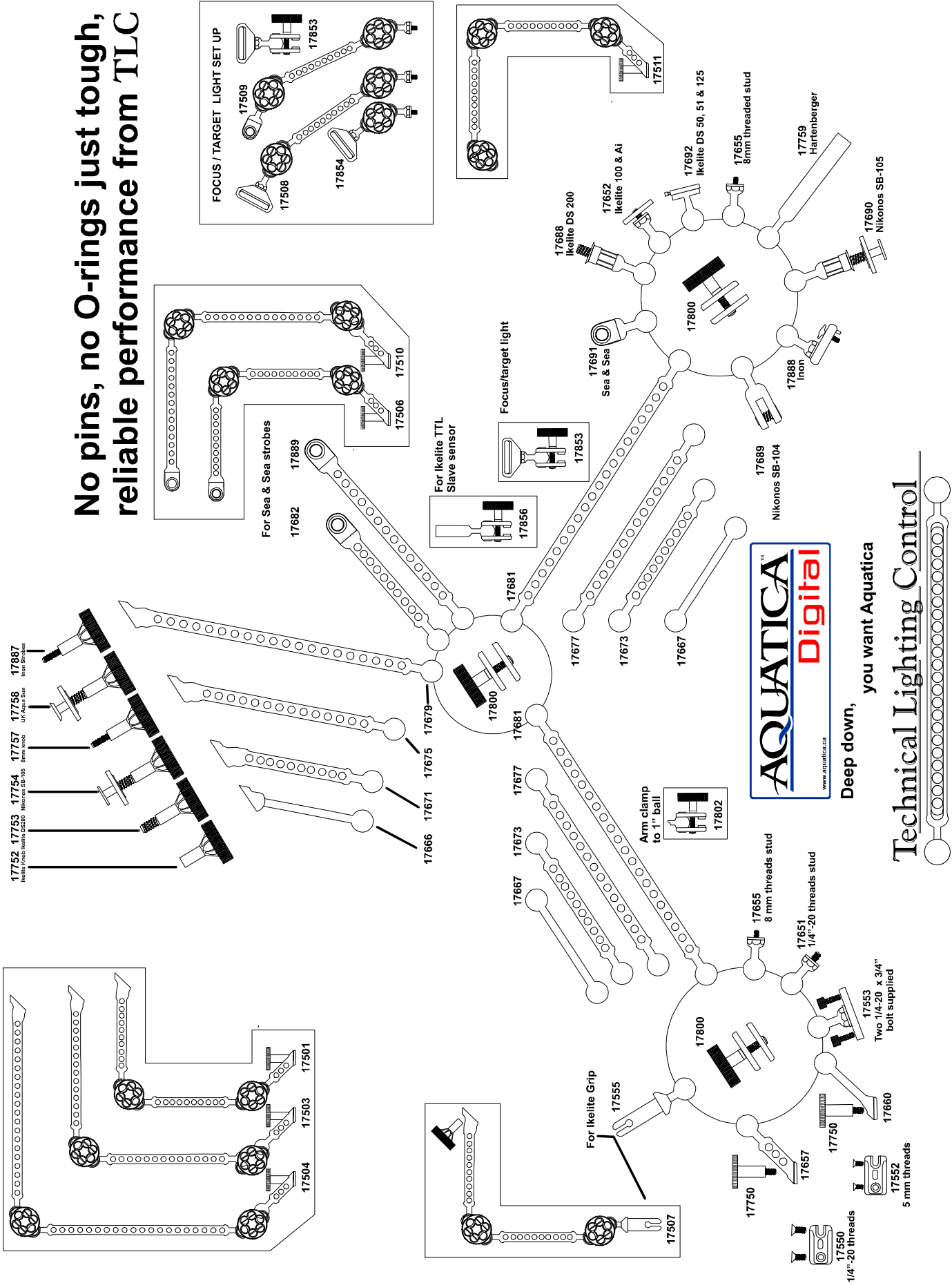
1. Remove the O-ring. It is important never to use a sharp instrument when removing an O-ring as this may damage the O-ring groove or the O-ring itself. A bobby pin or edge of a credit card works well.
2. Once the O-ring is removed, it should be examined for damage. Check to make sure that the O-ring is free of nicks and cuts and that it retains its original round profile. O-rings that appear to be damaged should be discarded immediately and replaced with new O-rings.
3. Rinse the O-ring with fresh water and dry it with a clean lint free cloth.
4. Clean the O-ring groove (where the O-ring sits) with a Q-tip. Be sure to remove any lint the Q-tip may leave behind. Inspect the groove for damage.
5. Wipe the part of the housing that the O-ring seals against with a clean lint-free cloth.
6. Re-grease the O-ring with a thin layer of O-ring grease until it appears to be smooth and shiny. Do not over grease it. Use just enough grease so the O-ring will pull smoothly through your fingers. Excessive amounts of grease will only serve to attract dirt to the o-ring.
7. Make sure that the O-ring is properly (evenly) installed in the O-ring groove.
8. To reinstall the clean and lubricated O-ring, place the entire O-ring over the groove and start by pushing the O-ring in at each corner then, push the O-ring at each side and finally, work in the rest of the O-ring. Never start at one end and work your way around the O-ring. This places uneven tension on the O-ring which may cause the O-ring to stretch resulting in excess O-ring, which will have no place to go.

There are internal O-rings on the housing controls as well. These O-rings are not as susceptible to damage as they are not exposed but they do require yearly maintenance and are not user serviceable. The housing should be returned to AQUATICA or to an authorized AQUATICA service facility for this annual maintenance.

Check the Web site www.aquatic.ca for the closest service center and always contact the Aquatica service dept for an authorization prior to shipping any items for servicing.

An internal moisture alarm is installed in your AQUATICA Pro Digital housing (Product # 20023). This moisture alarm is powered by an easily replaced **CR 2032** battery. When not using the housing, it is advisable to remove the battery to prolong its life.

No pins, no O-rings just tough, reliable performance from TLC



Deep down, you want Aquatica

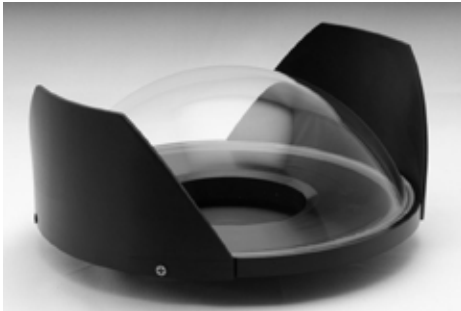
Technical Lighting Control

Canon Type 1 lens chart
For Canon with 1:1 & 1:3 sensors

Camera lens	18407 9.25" dome		18405 8" dome Port		18409 6" dome port		Zoom (Z) or Focus (F) GEAR
	EXTENSION	Dome Shade	EXTENSION	Dome Shade	EXTENSION	Dome Shade	
Canon EF 14mm f/2.8	18462	18480	18462	18480	NR	18484	(F)18713
Canon EF 15mm f/2.8 Fisheye	Not Needed	18480	Not Needed	18480	Not Needed	18484	(F)18702
Canon EF 20mm f/2.8	18456	18482	18456	18482	18456	18484	(F)18714
Canon EF 16-35mm f/2.8 Type I & II	18457	18482	18457	18482	NR		(Z)18708
Canon EF 17-40mm F/4	18457	18482	18457	18482	NR		(Z) 18709
Sigma 14mm F2.8 EX ASPHERICAL HSM	18462	18480	18462	18480	NR		(F)18697
Sigma 15mm F2.8 FISHEYE	Not Needed	18480	Not Needed	18480	Not Needed	18484	(F)18715
Sigma 15-30mm F3.5-4.5 EX DG	18457	18482	18457	18482	NR		(Z)18698
NR = This lens not recommended for use with this port							
(*1) +3 diopter needed for 8" dome port & a +4 diopter needed for 6" dome port							
(*2) Older pre 2008 port may not fit due to the oversized nature of this lens.							
Macro lenses		Port 18428 Auto Focus only		Port 18426 Auto & manual focus		For use with port 18426 only	
Canon EF 50mm F2.8	18453		18453		18453		(F)18705
Canon EF 100mm f/2.8	18453		18453		18453		(F)18700
Sigma 50mm F2.8 EX MACRO	Not needed		Not needed		Not needed		(F)18701

RECOMMENDED AQUATICA ACCESSORIES

AQUATICA
Digital



18407 9.25" GLASS DOME



18405 8" ACRYLIC DOME



18426 FLAT MACRO PORT



20054 AQUA VIEW FINDER



18409 6" ACRYLIC DOME



EXTENSION RINGS



19216 HARD TRANSPORT CASE FOR AQUA VIEW FINDER



18790 PORT REAR CAP



18789 HOUSING BODY CAP



19302 BASIC REMOTE CONTROL



18484 6" DOME SHADE F.E.



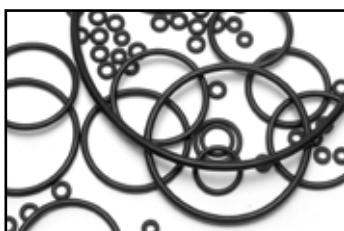
18480 8" DOME SHADE F.E.



18480 8" DOME SHADE W.A..



ZOOM & FOCUS GEARS



MAINTENANCE & REBUILT O-RING KITS

Technical Lighting Control[™]



Please visit our website at www.aquatica.ca for a complete selection of our Technical Lighting Control line of strobe arms and supports.

AQUATICA^{TM.}

Digital

WARRANTY

PLEASE READ CAREFULLY

One year Limited Warranty.

Thank you for purchasing an AQUATICA manufactured product! Your AQUATICA housing is handcrafted by a small group of specially trained individuals - each of whom takes the most pride and satisfaction in offering you the best underwater camera housings in the world. All AQUATICA products are guaranteed against defects in material or workmanship for (1) one full year from the date of purchase for consumer use. these same products when used commercially will carry a 90-day warranty. No statutory warranty applies. Camera housed in AQUATICA housings are not covered under this warranty and ANY WATER DAMAGE SUSTAINED DUE TO INSTALLATION ERROR OR ANY OTHER REASON IS NOT THE RESPONSABILLITY OF AQUATICA. Therefore the appropriate insurance should be maintained by the user.

Warranty does not apply to replaceable seals or damages to impacts or abrasive surfaces. Warranty applies only to products purchased from authorized AQUATICA dealers and does not extend beyond the original retail purchaser. Unauthorized modifications or repairs will automatically void this warranty. this applies to removal of serial numbers and AQUATICA identification labels.

To obtain service during or after the warranty period you must notify AQUATICA at 514-737-9481 or by e-mail at info@aquatica.ca to obtain an authorization. Recommended shipping is by REGISTERED MAIL with adequate insurance coverage, remember to enclose your proof of purchase and send to:

**AQUATICA
3025 De Baene
Montreal (Quebec)
H4S 1K8**

Mark clearly on your package **“Canadian goods returned for repair”**

Do not ship by any other means. Unauthorized packages will be refused.

YOUR SERIAL NUMBER _____

Free Manuals Download Website

<http://myh66.com>

<http://usermanuals.us>

<http://www.somanuals.com>

<http://www.4manuals.cc>

<http://www.manual-lib.com>

<http://www.404manual.com>

<http://www.luxmanual.com>

<http://aubethermostatmanual.com>

Golf course search by state

<http://golfingnear.com>

Email search by domain

<http://emailbydomain.com>

Auto manuals search

<http://auto.somanuals.com>

TV manuals search

<http://tv.somanuals.com>