



DCM-099
USER MANUAL

Package Contents:

Argus DCM-099 Digital Camera

AAA Battery

USB Cable

Installation CD

Table of Contents

Safety And General Information	3
Getting To Know Your Camera	6
Before Using The Camera	8
Operating The Camera	9
Installing The Software	12
Downloading Pictures	14
Frequently Asked Questions	16
Specification	18

Safety and General Information

Thank you for purchasing the Argus DCM-099. We hope that you enjoy this camera for years of trouble-free operation. Please read this manual carefully before using the camera and follow the instructions to avoid any damage that could be caused by improper operation.

Copyright information

Unless agreed by the rightful owner, pictures taken with this digital camera cannot be used in violation of copyright law. Moreover, when there is a “No Photography” restriction in place, you cannot record any performance, improvisation, or exhibit even for personal use. Any transfer of pictures or memory cards with data must be conducted under the constraints of copyright law.

Caution

The software CD-ROM packaged with the camera is designed to be used with a personal computer only. Do not attempt to play this CD-ROM on a stereo or CD player as this may cause damage to both the disc and the CD player.

Caution when using the camera

This product consists of intricate electrical parts. To ensure the camera photographs normally, do not drop or hit the camera when taking pictures. Avoid using or placing the camera in the following locations:

1. Damp and dusty places.
2. Sealed vehicles or other places exposed to direct sunlight or subject to extreme temperatures.
3. Turbulent environments.

Do not open the battery cover when the power is on as this may cause a loss of images.

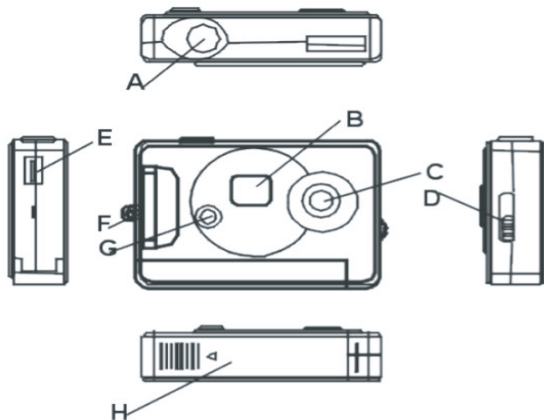
If the camera has gotten wet, immediately turn the power OFF and remove the batteries. This camera is

a precision electronic device. Do not attempt to service this camera yourself. Opening or removing the cover may expose you to dangerous voltages or other risks. Further, avoid exposing this camera to direct sunlight as doing so could cause a fire. Do not attempt to dry it with an external heat source.

How to maintain your camera

1. If the lens, LCD display, or viewfinder is dirty, please use the accompanying cleaning cloth to wipe the surface clean. Avoid touching these areas with your fingers.
2. When not in use, keep the camera in its carrying case, otherwise you risk scratching the lens, LCD display or viewfinder.
3. Do not use soap, detergent or other solution to clean the camera. Use a clean, soft cloth only.

Getting To know Your Camera



A. Shutter Button

B. Status LCD

C. Lens

D. View finder Button

E. USB Socket

F. Strap / Keychain Hole

G. Start /Function Key

H. Battery Compartment

LCD Screen

The LCD screen displays different symbols when you press the MODE button.

Hi-resolution pictures

Ready to close or shutdown mode

Timer mode

AVI mode

Delete all

Delete last

Change to low resolution

Change to compressed mode

Change to normal mode

Change to high resolution

Change to 50 Hz

Change to 60 Hz

Compression high resolution pictures

Low resolution pictures

Compression low resolution pictures

Before Using The Camera

Open the battery compartment in the back of the camera. Place one AAA battery. Close the compartment and press the MODE button. The number 25 will appear on the LCD screen indicating that it is ready to take 25 "high-resolution" pictures . The LCD screen will flash when the battery is low.

Note: Do not change the battery until after you connect the camera to a computer. Otherwise the previously taken photographs will be erased.

Important Note: We strongly recommend that you do not use rechargeable batteries in order not to affect the performance of your camera.

Operating the Camera

Taking Photos

This is the default mode when you turn on the camera. Press the shutter button. You will hear a beep and camera takes a photo. The number displayed on the LCD screen will decrease by one. If the brightness is too low, the camera will beeps twice indicating insufficient lighting.

Sleep Mode

The camera goes into sleep mode automatically after 30 seconds of inactivity. If it is not connected to a computer via the USB cable, you can manually turn it to sleep mode by pressing the MODE button until “oF” is shown on the LCD screen. Press the shutter button to confirm.

Timer Mode

Press the MODE button until the LCD screen displays “St.” Press the shutter button and the camera counts down for 10 sec. followed by short beep then gives off a long beep before taking a photo.

AVI Mode

Press the MODE button until the LCD display shows “**dB**.” Press and hold the shutter button and the camera will continuously capture for about 6 frames per second.

Deleting Images

To delete all, press the MODE button until the LCD screen displays “**CA**” and then press the shutter button to confirm your choice. The display will blink; press the shutter button again to confirm. All the photos stored in the camera will be deleted but the previously chosen resolution mode will not change.

To delete the last image taken, press the MODE button until the LCD screen displays “**CL**” and then press the shutter button to confirm. The last photo taken will be deleted.

Changing Resolution

You can toggle the resolution setting of the camera between “High Resolution Mode” and “Low Resolution Mode”. The camera is set to “High Resolution Mode” by default. To change to “Low Resolution Mode”, press the MODE button until you see “**Lo**” and press the shutter button to confirm. To change back into “High Resolution”, press the MODE button until you see “**Hi**” and press the shutter button to confirm.

Changing Frequency

Modify the anti-flicker frequency if you decide to take photos in rooms with fluorescent light bulbs. To switch to 50Hz, press the MODE button until the LCD screen displays “**50**” and then shutter button to confirm. To switch back to 60Hz, press the MODE button until the LCD screen displays “**60**” and then shutter button to confirm.

Changing the Compression Mode

To change to Hd compression, press the MODE button until the LCD screen displays “**Hd**” and then the button to confirm. To switch back to Ld compression, press the MODE button until the LCD screen displays “**Ld**” and then the button to confirm.

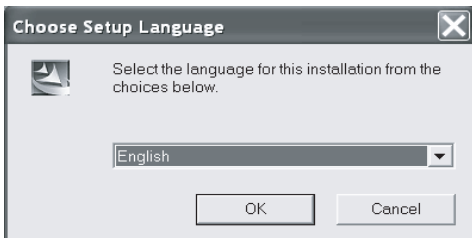
Installing The Software

Insert the CD in the CD-drive. The application will auto run.



Installation of Arcsoft

Click “Install Arcsoft PhotolImpress 4.0”, and then follow the step-by-step instructions to complete the installation.



Installation of Driver

After completing the Arcsoft installation, the interface will appear, Click on “Install Driver” and follow the step-by-step instructions to complete the installation. After successful installation of driver, restart your computer.

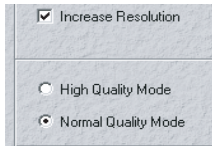
Downloading Picture

Connect the camera to your computer using the supplied USB cable. Double click “Dual Mode Camera” on the computer desktop and the interface will appear on screen. Click on “My DSC” and “Download Photos.” Click on “Select All” then “Save.” Save the image files to My Document folder (or to wherever you want to save the pictures).

After having saved the photos, you can empty the memory of the camera (Delete all photos) and start taking pictures again.

Uploading a Photo with a Resolution of 400K Pixels

A: Before uploading photos, select “Edit image” button.



B: Select the “Increase Resolution” button (You can select “High Quality Mode” to get better image), then select the “OK” button to ESC.

Camera Storage Capacity

	Hi Resolution	Lo Resolution
Ld Compression	25	102
Hd Compression	102	409

Frequently Asked Question

My camera does not turn on.

The battery is not properly installed. Remove and reinstall the batteries.

Insufficient battery voltage. Do not use old batteries or batteries with mixed battery life.

Why would I get fuzzy, unclear photos?

There might be some movements of your body or hands when taking photos. Hold the camera steady with both hands. Use the first finger of your right hand to press the shutter. Stand on solid ground. Do not move or run when pressing the shutter. Even tiny movements will result in fuzzy photos.

The computer does not recognize camera.

The camera driver has to be installed before picture download. Ensure that camera is connected the rear USB port of the computer. Check in Device Manager, under Imaging Devices and see if the computer is recognizing the camera.

Why would I get horizontal, black stripes in photos taken abroad?

The camera is set to your country's AC mains frequency (e.g. 60Hz for US). If you take photos under an electric light source in another country with a different frequency (e.g. European's 50Hz), you will get horizontal, black stripes in those photos, due to incorrect mains frequency. There will be no problems when taking photos under sunlight.

How do I contact technical support?

Argus Technical Support:

(888) 552 - 7487

support@arguscamera.com

www.arguscamera.com

Technical Specification:

Resolution: 640 x 480 (VGA) and 320 x 240 (QVGA)

Devices: Built-in 8MB (SDRAM)

Shutter Speed: 1/6-1/15000 seconds

Lens: Non-spherical Lens

Aperture: 1: 2.6

Focus: f=5.4 mm

Image variation: 0.5m –infinity

Power supply:

AAA Battery or when connected to computer, power will be supplied from computer via USB connection.

Interface: USB port

System compatibility:

Pentium II and above Personal Computers

Windows 98SE/2000/ME/XP Operating System

32 MB or above Memory (64 MB or above Recommended)

60 MB Hard Disk Capacity

CD-ROM Drive

Color Monitor (Not Lower than 800*600, 24 Bit)

Operation System: Windows98 SE/2000/ME/XP

Free Manuals Download Website

<http://myh66.com>

<http://usermanuals.us>

<http://www.somanuals.com>

<http://www.4manuals.cc>

<http://www.manual-lib.com>

<http://www.404manual.com>

<http://www.luxmanual.com>

<http://aubethermostatmanual.com>

Golf course search by state

<http://golfingnear.com>

Email search by domain

<http://emailbydomain.com>

Auto manuals search

<http://auto.somanuals.com>

TV manuals search

<http://tv.somanuals.com>