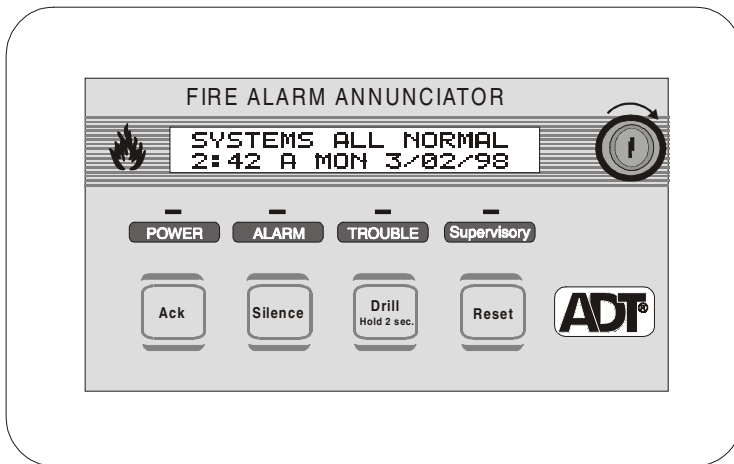




ADT Security Services, Inc.
One Town Center Road
Boca Raton, FL 33431
Phone: (561) 988-3600
FAX: (561) 988-3675

ADT-LCD40 Series Remote Fire Annunciators

*for use with Unimode 200
Addressable Fire Alarm Control Panel*



Document #50520

7/25/00

Rev:

D

P/N 50520:D ECN 00-325

Fire Alarm System Limitations

An automatic fire alarm system—typically made up of smoke detectors, heat detectors, manual pull stations, audible warning devices, and a fire alarm control with remote notification capability—can provide early warning of a developing fire. Such a system, however, does not assure protection against property damage or loss of life resulting from a fire.

The Manufacturer recommends that smoke and/or heat detectors be located throughout a protected premise following the recommendations of the current edition of the National Fire Protection Association Standard 72 (NFPA 72), manufacturer's recommendations, State and local codes, and the recommendations contained in the Guide for Proper Use of System Smoke Detectors, which is made available at no charge to all installing dealers. A study by the Federal Emergency Management Agency (an agency of the United States government) indicated that smoke detectors may not go off in as many as 35% of all fires. While fire alarm systems are designed to provide early warning against fire, they do not guarantee warning or protection against fire. A fire alarm system may not provide timely or adequate warning, or simply may not function, for a variety of reasons:

Smoke detectors may not sense fire where smoke cannot reach the detectors such as in chimneys, in or behind walls, on roofs, or on the other side of closed doors. Smoke detectors also may not sense a fire on another level or floor of a building. A second-floor detector, for example, may not sense a first-floor or basement fire.

Particles of combustion or "smoke" from a developing fire may not reach the sensing chambers of smoke detectors because:

- Barriers such as closed or partially closed doors, walls, or chimneys may inhibit particle or smoke flow.
- Smoke particles may become "cold," stratify, and not reach the ceiling or upper walls where detectors are located.
- Smoke particles may be blown away from detectors by air outlets.
- Smoke detectors may be drawn into air returns before reaching the detector.

The amount of "smoke" present may be insufficient to alarm smoke detectors. Smoke detectors are designed to alarm at various levels of smoke density. If such density levels are not created by a developing fire at the location of detectors, the detectors will not go into alarm.

Smoke detectors, even when working properly, have sensing limitations. Detectors that have photoelectronic sensing chambers tend to detect smoldering fires better than flaming fires, which have little visible smoke. Detectors that have ionizing-type sensing chambers tend to detect fast-flaming fires better than smoldering fires. Because fires develop in different ways and are often unpredictable in their growth, neither type of detector is necessarily best and a given type of detector may not provide adequate warning of a fire.

Smoke detectors cannot be expected to provide adequate warning of fires caused by arson, children playing with matches (especially in bedrooms), smoking in bed, and violent explosions (caused by escaping gas, improper storage of flammable materials, etc.).

While a fire alarm system may lower insurance rates, it is not a substitute for fire insurance!

Heat detectors do not sense particles of combustion and alarm only when heat on their sensors increases at a predetermined rate or reaches a predetermined level. Rate-of-rise heat detectors may be subject to reduced sensitivity over time. For this reason, the rate-of-rise feature of each detector should be tested at least once per year by a qualified fire protection specialist. *Heat detectors are designed to protect property, not life.*

IMPORTANT! Smoke detectors must be installed in the same room as the control panel and in rooms used by the system for the connection of alarm transmission wiring, communications, signaling, and/or power. If detectors are not so located, a developing fire may damage the alarm system, crippling its ability to report a fire.

Audible warning devices such as bells may not alert people if these devices are located on the other side of closed or partly open doors or are located on another floor of a building. Any warning device may fail to alert people with a disability or those who have recently consumed drugs, alcohol or medication. Please note that:

- Strobes can, under certain circumstances, cause seizures in people with conditions such as epilepsy.
- Studies have shown that certain people, even when they hear a fire alarm signal, do not respond or comprehend the meaning of the signal. It is the property owner's responsibility to conduct fire drills and other training exercise to make people aware of fire alarm signals and instruct them on the proper reaction to alarm signals.
- In rare instances, the sounding of a warning device can cause temporary or permanent hearing loss.

A fire alarm system will not operate without any electrical power. If AC power fails, the system will operate from standby batteries only for a specified time and only if the batteries have been properly maintained and replaced regularly.

Equipment used in the system may not be technically compatible with the control. It is essential to use only equipment listed for service with your control panel.

Telephone lines needed to transmit alarm signals from a premise to a central monitoring station may be out of service or temporarily disabled. For added protection against telephone line failure, backup radio transmission systems are recommended.

The most common cause of fire alarm malfunction is inadequate maintenance. To keep the entire fire alarm system in excellent working order, ongoing maintenance is required per the manufacturer's recommendations, and UL and NFPA standards. At a minimum, the requirements of Chapter 7 of NFPA 72 shall be followed. Environments with large amounts of dust, dirt or high air velocity require more frequent maintenance. A maintenance agreement should be arranged through the local manufacturer's representative. Maintenance should be scheduled monthly or as required by National and/or local fire codes and should be performed by authorized professional fire alarm installers only. Adequate written records of all inspections should be kept.

Installation Precautions

WARNING - Several different sources of power can be connected to the fire alarm control panel. Disconnect all sources of power before servicing. Control unit and associated equipment may be damaged by removing and/or inserting cards, modules, or interconnecting cables while the unit is energized. Do not attempt to install, service, or operate this unit until this manual is read and understood.

CAUTION - *System Reacceptance Test after Software Changes.* To ensure proper system operation, this product must be tested in accordance with NFPA 72 Chapter 7 after any programming operation or change in site-specific software. Reacceptance testing is required after any change, addition or deletion of system components, or after any modification, repair or adjustment to system hardware or wiring.

All components, circuits, system operations, or software functions known to be affected by a change must be 100% tested. In addition, to ensure that other operations are not inadvertently affected, at least 10% of initiating devices that are not directly affected by the change, up to a maximum of 50 devices, must also be tested and proper system operation verified.

This system meets NFPA requirements for operation at 0-49° C/32-120° F and at a relative humidity of 85% RH (non-condensing) at 30° C/86° F. However, the useful life of the system's standby batteries and the electronic components may be adversely affected by extreme temperature ranges and humidity. Therefore, it is recommended that this system and all peripherals be installed in an environment with a nominal room temperature of 15-27° C/60-80° F.

Verify that wire sizes are adequate for all initiating and indicating device loops. Most devices cannot tolerate more than a 10% I.R. drop from the specified device voltage.

Adherence to the following will aid in problem-free installation with long-term reliability:

Like all solid state electronic devices, this system may operate erratically or can be damaged when subjected to lightning-induced transients. Although no system is completely immune from lightning transients and interferences, proper grounding will reduce susceptibility. *Overhead or outside aerial wiring is not recommended, due to an increased susceptibility to nearby lightning strikes.* Consult with the Technical Services Department if any problems are anticipated or encountered.

Disconnect AC power and batteries prior to removing or inserting circuit boards. Failure to do so can damage circuits.

Remove all electronic assemblies prior to any drilling, filing, reaming, or punching of the enclosure. When possible, make all cable entries from the sides or rear. Before making modifications, verify that they will not interfere with battery, transformer, and printed circuit board location.

Do not tighten screw terminals more than 9 in-lbs. Over-tightening may damage threads, resulting in reduced terminal contact pressure and difficulty with screw terminal removal.

Though designed to last many years, system components can fail at any time. This system contains static-sensitive components. Always ground yourself with a proper wrist strap before handling any circuits so that static charges are removed from the body. Use static-suppressive packaging to protect electronic assemblies removed from the unit.

Follow the instructions in the installation, operating, and programming manuals. These instructions must be followed to avoid damage to the control panel and associated equipment. FACP operation and reliability depend upon proper installation by authorized personnel.

FCC Warning

WARNING: This equipment generates, uses, and can radiate radio frequency energy and if not installed and used in accordance with the instruction manual, may cause interference to radio communications. It has been tested and found to comply with the limits for class A computing device pursuant to Subpart B of Part 15 of FCC Rules, which is designed to provide reasonable protection against such interference when operated in a commercial environment. Operation of this equipment in a residential area is likely to cause interference, in which case the user will be required to correct the interference at his own expense.

Canadian Requirements

This digital apparatus does not exceed the Class A limits for radiation noise emissions from digital apparatus set out in the Radio Interference Regulations of the Canadian Department of Communications.

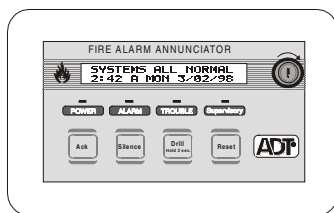
Le present appareil numerique n'emet pas de bruits radioelectriques depassant les limites applicables aux appareils numeriques de la classe A prescrites dans le Reglement sur le brouillage radioelectrique edicte par le ministere des Communications du Canada.

Notes

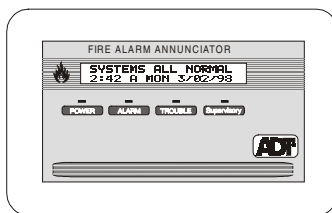
Table of Contents

Section 1: ADT-LCD40 Series Annunciators	6
1.1 ADT-LCD40 and ADT-LCD40L	7
1.2 ADT-LCD40 Only	7
Figure 1-1: Components	8
Figure 1-2: Wiring to Terminals	9
1.3 SW1 DIP Switch Settings	10
Figure 1-3: DIP Switch Settings Example	11
1.4 Typical Configuration	12
Figure 1-4: Typical Configuration	12
Section 2: Operation	13
2.1 Display Patterns	13
2.2 Switch Functions for ADT-LCD40 Only	14
2.2.1 Key-switch	14
2.2.2 Acknowledge	14
2.2.3 Silence	15
2.2.4 Drill: Hold 2 Sec.	15
2.2.5 Reset	15
2.3 LED Indicators (all ADT-LCD40 Series)	16
2.3.1 Power	16
2.3.2 Fire Alarm	16
2.3.3 Supervisory	16
2.3.4 Trouble	16
Section 3: Mounting	17
3.1 ADT-LCD40 Series Preparation	17
Figure 3-1: Trim Ring Removal	17
Figure 3-2: Hardware and Backboxes	18
3.2 Semi-flush Mount Backbox	19
Figure 3-3: Semi-flush Mounting	19
3.3 Surface Mount Backbox	20
Figure 3-4: Surface Mounting	20
Section 4: ADT-LCD40 Series Electrical Connections	21
Figure 4-1: Power Connection	21
Figure 4-2: EIA-485 Connection	22
Figure 4-3: DIM-485 Connections	23
Figure 4-4: Wiring FACP to ADT-LCD40 Series	24
Section 5: EIA-485 Shield Termination	25
5.1 EIA-485 Shield Not in Conduit	25
Figure 5-1: EIA-485 Without Conduit	26
5.2 EIA-485 Shield in Full Conduit	27
Figure 5-2: EIA-485 In Conduit	27
Section 6: Programming the Unimode 200	28

Section 1: ADT-LCD40 Series Annunciators



ADT-LCD40



ADT-LCD40L

Note: Only Model ADT-LCD40L is listed for use in Canada.

The ADT-LCD40 Series Annunciators are compact, attractive, 40-character, backlit LCD fire annunciators designed for use with the Unimode 200 Addressable Fire Alarm Control Panel. The ADT-LCD40L operates the same as the ADT-LCD40, except it does not have function switches or a key-switch. It should be noted that the ADT-LCD40 Series Annunciator displays will mimic the LCD display located on the Unimode 200 main circuit board.

If software with Part Number #UNIMODE200V3.0 is installed in the ADT Unimode 200, the ADT-LCD40 Series Annunciator must have software with a Part Number of 73879 to operate with the control panel. If software with a Part Number of #UNIMODE200V4.0 or higher is installed in the Unimode 200, the ADT-LCD40 Series Annunciator must have software with a Part Number of #LCD40V2.0 or higher to operate with the control panel.

The ADT-LCD40 Series is capable of displaying English-language text of system point status including device type, independent *point* alarm, trouble or supervisory, zone and custom alpha labels programmed into the control panel. The ADT-LCD40 Series also provide system status LEDs to display Power, Alarm, Trouble and Supervisory conditions. The ADT-LCD40 is capable of performing system acknowledge, silence, drill and reset remotely while the ADT-LCD40L does not have these features.

Communication between the control panel and the ADT-LCD40 Series is accomplished over a two-wire serial interface employing the EIA-485 communication standard. Up to 32 annunciators may be connected to the two-wire EIA-485 circuit. The annunciators may be powered from the host FACP or remote UL listed, filtered, power supplies.

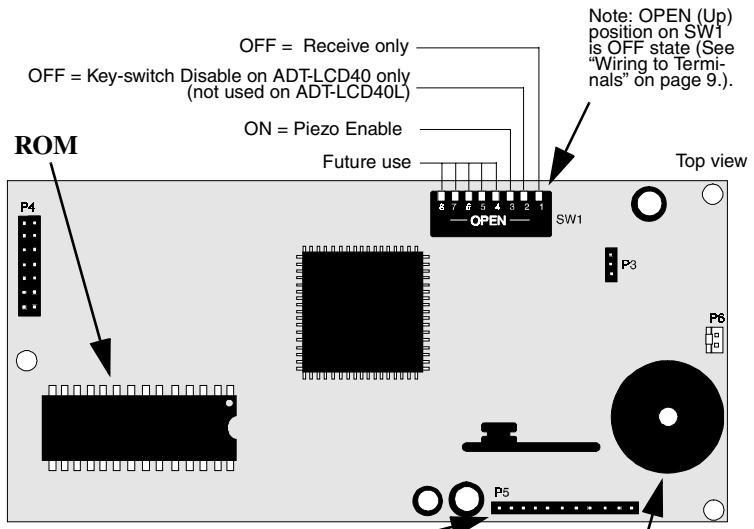
1.1 ADT-LCD40 and ADT-LCD40L

- 40-character LCD display (20 characters x 2 lines) is backlit under normal and alarm conditions
- System Status LEDs for Power (green), Alarm (red), Trouble (yellow) and Supervisory (yellow)
- No programming necessary — duplicates messages at control panel display
- Local piezo sounder with alarm and trouble resound
- Device type identifiers from the control panel
- Device & zone custom alpha labels from the control panel
- Time/date and device address from the control panel
- EIA-485 connects to control panel terminal port (requires DIM-485 module)
- Plug-in terminal blocks for ease of installation and service
- DIP switches control piezo enable/disable and transmit/receive mode
- Up to 32 ADT-LCD40 Series Annunciators per Unimode 200
- Mounting options:
 - ✓ Surface mounting in SBB-3 (2.75" depth)
 - ✓ Semi-flush mounting in three-gang electrical box (P/N 10103) with a minimum depth of 2.187"
 - ✓ Can be located up to 3,000 feet (900 m) from the panel
- Backlight turns off during AC loss to conserve battery power but will turn back on if an alarm condition occurs.

1.2 ADT-LCD40 Only

- Enable/Disable key-switch
- Function switches for:
 - ✓ Acknowledge
 - ✓ Signal Silence
 - ✓ Drill
 - ✓ System Reset
- DIP switches control function switches and key-switch enable/disable

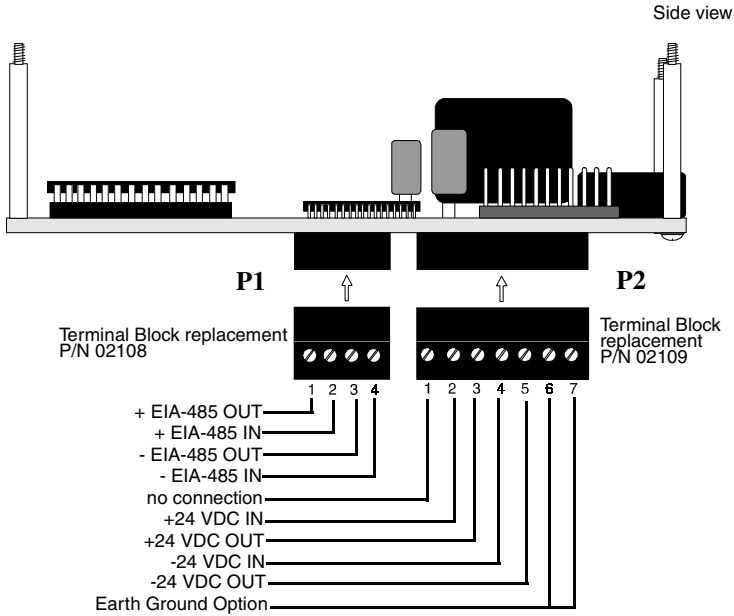
Figure 1-1: Components



Membrane Connector
 Cable connection to membrane switches for Acknowledge, Silence, Drill and Reset.

Piezo Sounder
 The ADT-LCD40 sounder, if enabled, will be activated when any new alarm or trouble is received from the panel. It is silenced by an Acknowledge switch. Piezo must not be disabled without approval of the LAHJ (Local Authority Having Jurisdiction).

Figure 1-2: Wiring to Terminals



Note: These connections must be power-limited and the +24 VDC nominal power must be filtered and nonresettable.

Current Consumption @ 24 VDC nominal (filtered and nonresettable)

Normal/Standby (no activity): 64 mA

Trouble Condition: 64 mA

Alarm: 66 mA

AC Fail (not backlit): 28 mA

1.3 SW1 DIP Switch Settings

The Up position on DIP switch SW1 is the Off state. Refer to “DIP Switch Settings Example” on page 11, for an explanation of DIP switch positions. SW1 switch settings follow:

1 - On (Down) = Receive/Transmit, Off (up) = Receive Only.

Set switch 1 to Off (Up) position for all ADT-LCD40 Series Annunciators except the last (or only) annunciator on the EIA-485 loop.

Set switch to On (Down) position for the last or only annunciator on the EIA-485 loop to allow transmission of a supervision signal (and function switch depressions on the ADT-LCD40) back to the FACP.

The last or only annunciator must be set for Receive/Transmit (switch 1 in the Down position).

A break (open circuit) in the power or EIA-485 connections creates an ADT-LCD40 Series Annunciator fault at the Unimode 200 panel. All annunciators before the break will continue to display information (*but the function switches on the ADT-LCD40 will no longer operate*).

2 - **ADT-LCD40 Only (not used on the ADT-LCD40L)**

On (Down) = Key-switch enabled, Off (Up) = Key-switch disabled.

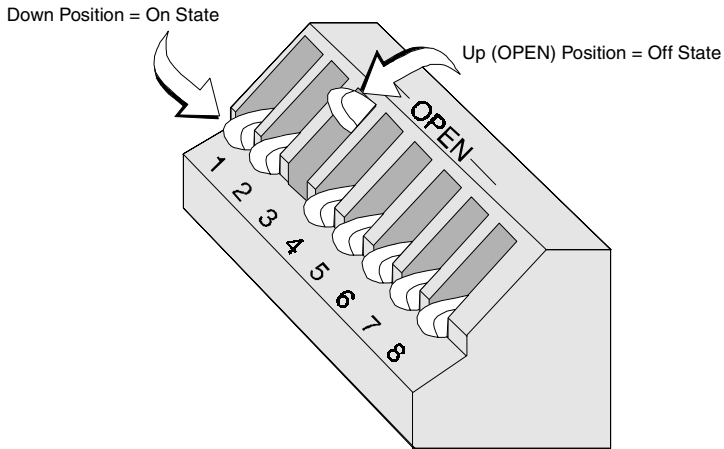
Switch 2 set to the On (Down) position enables key-switch operation. The key-switch may now be used to enable the ADT-LCD40 membrane switches, allowing remote switch functions, or lockout the switches, preventing remote switch functions

Switch 2 set to the Off (Up) position disables the key-switch operation. Refer to “Switch Functions for ADT-LCD40 Only” on page 14, for key-switch function description.

3 - On (Down) = Piezo sounder enabled, Off (Up) = Piezo sounder disabled.

CAUTION: *Piezo sounder must not be disabled without prior approval of the Local Authority Having Jurisdiction (LAHJ).*

4 through 8 = Future use.

Figure 1-3: DIP Switch Settings Example

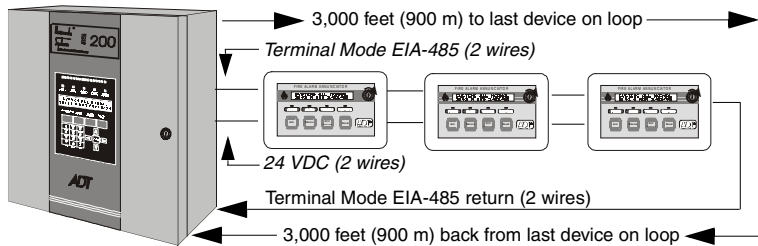
Note: SW1 DIP switch settings as illustrated in Figure 1-3 are as follows:

1. DIP switch 1: On (Down) - Receive/Transmit. This setting is used for the last or only ADT-LCD40 Series Annunciator on the EIA-485 line
2. DIP switch 2: Used on ADT-LCD40 only - On (Down) = membrane function switches enabled.
3. DIP switch 3: Off (Up) = piezo sounder disabled (requires approval of LAHJ)
4. DIP switches 4 through 8: not used

1.4 Typical Configuration

The ADT-LCD40 Series Annunciators mimic the Unimode 200 display, have full point-display capacity and require no programming. The ADT-LCD40 offers multiple annunciator locations with the capability of remote Acknowledge, Signal Silence, Drill and Reset functions.

Figure 1-4: Typical Configuration



Notes:

1. EIA-485: maximum of 6,000 feet (1,800 m) total cable length from FACP to annunciator and back to FACP for supervision (3,000 feet [900 m] maximum to last ADT-LCD40). Circuit is power-limited.
2. Up to 32 ADT-LCD40 Series Annunciators may be used on the EIA-485 circuit. The Unimode 200 can power a maximum of five annunciators. If additional annunciators are connected, the FCPS-24F may be used to supply additional power. Power supplies used for this purpose must have their negative terminals commoned together.
3. Between each ADT-LCD40 Series annunciator are four wires - a twisted shielded pair for data communications and a pair for 24 VDC power. The return circuit only requires two wires for data communication supervision, wired from the last or only annunciator on the line.

Section 2: *Operation*

2.1 Display Patterns

The ADT-LCD40 Series Annunciators directly display (mimic) the information on the Unimode 200 main circuit board LCD display with the following exceptions:

- Upon Power-up, the ADT-LCD40 Series may display the following message until a valid message is received from the Unimode 200



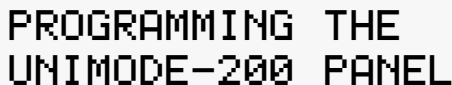
SYSTEM POWER UP
WAITING FOR THE FACP

- If an ADT-LCD40 Series Annunciator fails to receive communications from the panel for a period of over 30 seconds, it will activate its local sounder (if so programmed) and display the following message:



COMMUNICATIONS FAIL

- When placing the host Unimode 200 into some aspects of the Programming Mode, the annunciator will display the following message:



PROGRAMMING THE
UNIMODE-200 PANEL

The message shown above will appear at the Level One passcode for (1) Autoprogram, (2) Point Edit, (3) System Edit, (4) Passcode Entry and (5) Load. The same message will also appear at the Level Two passcode for (1) Disable, (2) Clear History and (4) Time.

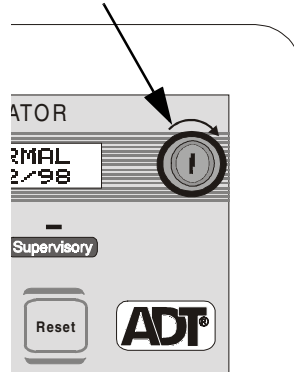
2.2 Switch Functions for ADT-LCD40 Only

2.2.1 Key-switch

The key-switch is used to enable and disable the operation of the function switches if switch 2 on DIP switch SW1 has been placed to the On (Down) position.

To enable the Acknowledge, Silence, Drill and Reset function switches, insert a standard ADT key into the key-switch located at the top right corner of the ADT-LCD40. Make certain the key is inserted completely before attempting to turn it. Turn the key clockwise until it stops. Leave the key inserted while pressing the function switches. When finished with the function switches, turn key-switch counterclockwise to disable function switches.

Key-switch (shown in Off position)



Note that the key-switch should normally be in the disabled position (fully counterclockwise), with the key removed and access to the key restricted to authorized personnel only. Do not leave the key unattended in the ADT-LCD40.

2.2.2 Acknowledge

When the Acknowledge switch is pressed and released, the ADT-LCD40 sends an Acknowledge command to the control panel. Pressing the Acknowledge switch silences the local piezo sounder, the sounders located in all other system annunciators and the sounder located on the Fire Alarm Control Panel's main circuit board. It will also change all flashing system LEDs to steady on. Only one press is necessary regardless of the number of new alarms, troubles or supervisory signals.

An acknowledge message is also sent to the printer and the history files in the Unimode 200. Multiple active events (alarms, troubles, supervisories) are scrolled on the display at a one second rate, but may be held for sequential display by pressing and holding the Acknowledge switch.

When more than one event exists, the first press of the Acknowledge switch silences system piezo sounders and changes all flashing

LEDs to steady on. The second press of the switch stops the scrolling and holds the event on the display for one minute. Subsequent pressing of the switch 'steps' through each active event.

2.2.3 Silence

When the Silence switch is pressed and released, the ADT-LCD40 sends a signal silence command to the control panel. The Silence switch performs the same functions as the Acknowledge switch. In addition, if an alarm exists, it turns off all silenceable NACs and causes the FACP Alarm Silence LED to turn on while the ADT-LCD40 will display a 'silenced' message. It also sends an 'Alarm Silenced' message to the printer and the history file within the Unimode 200. A subsequent new alarm will resound the appropriate NACs (Notification Appliance Circuits) and local sounders.

2.2.4 Drill: Hold 2 Sec.

When the Drill switch is pressed and held for at least two seconds (time required to prevent accidental activations), the ADT-LCD40 will transmit a drill command to the control panel. This command causes the FACP to turn on both main panel NAC outputs and all silenceable circuits (all C304 modules/NACs that are programmed silenceable). In the event that the system was previously silenced, the drill command will also turn off the Alarm Silence LED. The 'Manual Evacuate' message is shown on the ADT-LCD40 display. The same message is sent to the FACP display, printer and history files. The Silence switch operates on *silenceable* NAC outputs only.

2.2.5 Reset

When the System Reset switch is pressed and released, the ADT-LCD40 sends a Reset command to the control panel. This will turn off all C304 modules and Notification Appliance Circuits, temporarily turns off resettable power to 4-wire detectors, causes a 'System All Normal' message to be displayed on the ADT-LCD40 and sends a 'System Reset' message to the FACP display, printer and Unimode 200 history files. It also turns on all system LEDs, piezo sounders and LCD display segments as long as the Reset switch is held (lamp test). Any alarm or trouble that exists after a Reset will resound the system.

2.3 LED Indicators (all ADT-LCD40 Series)

2.3.1 Power

This is a green LED which illuminates if AC power is applied to the host FACP. The green LED will turn off if AC power to the host FACP is lost.

2.3.2 Fire Alarm

This is a red LED that flashes when one or more fire alarms occur. It illuminates steadily when an Acknowledge or Silence switch is pressed. The Alarm LED turns off when the Reset switch is pressed.

2.3.3 Supervisory

This is a yellow LED that flashes when one or more supervisory conditions occur, such as a sprinkler valve tamper condition. It illuminates steadily when an Acknowledge or Silence switch is pressed. It turns off when the Reset switch is pressed.

2.3.4 Trouble

This is a yellow LED that flashes when one or more trouble conditions occur. It stays on steady when an Acknowledge or Silence switch is pressed. The LED turns off when all trouble conditions are cleared. This LED will also illuminate if the microprocessor watchdog circuit within the ADT-LCD40 Series is activated.

Section 3: *Mounting*

3.1 ADT-LCD40 Series Preparation

The ADT-LCD40 Series Annunciators can be surface mounted in a three-gang electrical box such as the P/N SBB-3 (2.75" depth) or semi-flush mounted in a three-gang electrical box, P/N 10103 or equivalent, with a minimum depth of 2 3/16". The ADT-LCD40 Series Annunciators cannot be mounted in three gangable electrical switch boxes connected together. Select and remove the appropriate knockout(s), pull the necessary wires through the knockouts and mount the three-gang box in or on the wall depending on the type of installation desired. *Be certain that power is not applied to the wiring during the installation procedure.*

Note: To ensure static protection, all enclosures, including the ADT-LCD40 Series electrical box, must be connected to earth ground! Never use the shield for grounding purposes.

To mount the ADT-LCD40 Series Annunciators in an electrical box, the trim ring must first be removed. The trim ring is held in place by two screws inserted through the top and bottom edge as illustrated in Figure 3-1. Removal of the trim ring will expose a metal flange with mounting holes. Refer to "Hardware and Backboxes" on page 18.

Figure 3-1: Trim Ring Removal

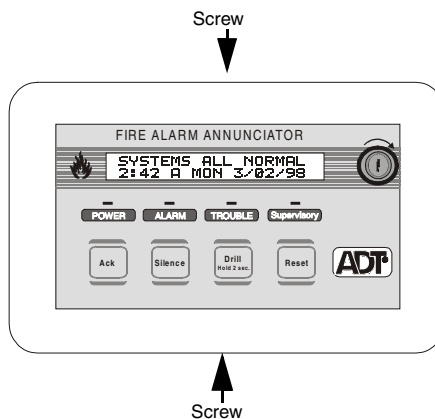
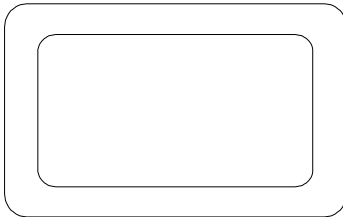
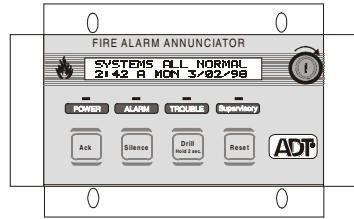


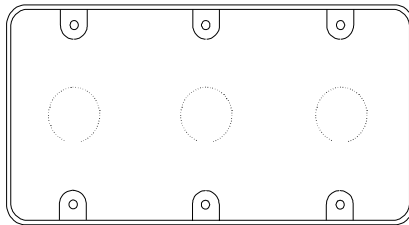
Figure 3-2: Hardware and Backboxes



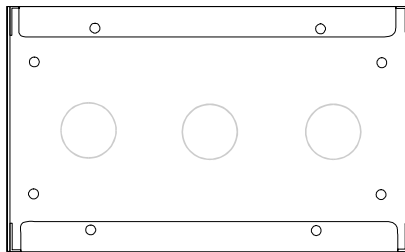
ADT-LCD40 Series Trim Ring
(replacement P/N 23165)



ADT-LCD40 Series flange



3-Gang Electrical Box P/N 10103
(semi-flush mount)



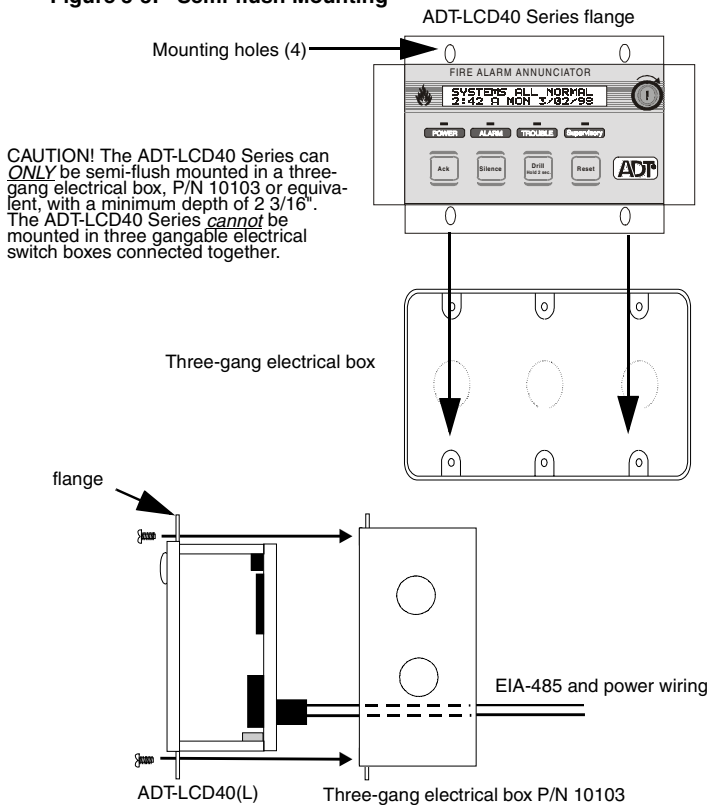
3-Gang Electrical Box P/N SBB-3
(surface mount)

3.2 Semi-flush Mount Backbox

Remove the plug-in terminal blocks from the ADT-LCD40(L) circuit board. Connect the EIA-485 and power wiring into the terminal block positions illustrated in Figure 1-1 on page 8, Figure 4-1 on page 21 and Figure 4-2 on page 22. Plug the terminal blocks back into the P1 and P2 connectors on the back of the annunciator. Set DIP switch SW1 for the desired options (refer to Figure 1-2 on page 9).

Carefully insert the ADT-LCD40(L) into the three-gang electrical box and attach it using the four mounting holes on the ADT-LCD40(L) flange and the four screws provided for this purpose. Replace the trim ring and secure with the two screws which were previously removed. Adjust the plastic trim ring to the surface of the wall before tightening the screws. *Do not overtighten.*

Figure 3-3: Semi-flush Mounting

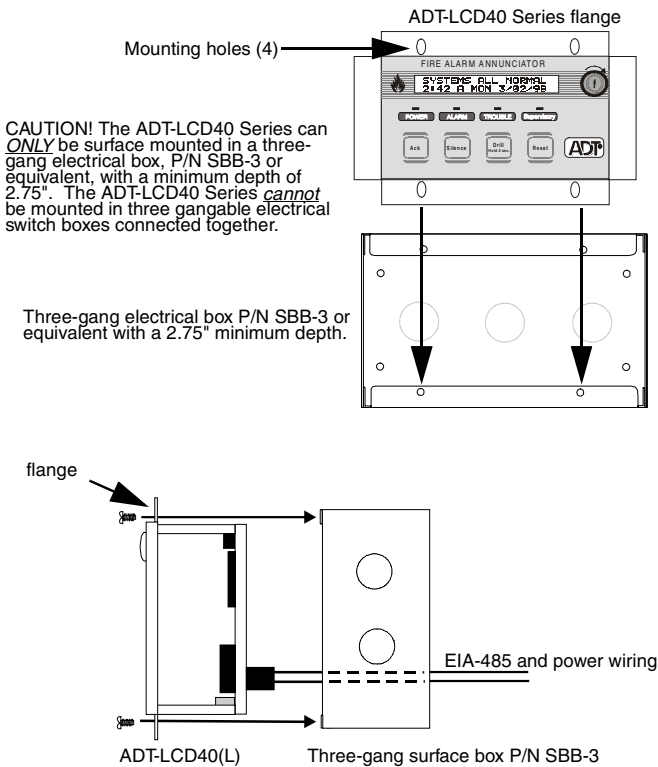


3.3 Surface Mount Backbox

Remove the plug-in terminal blocks from the ADT-LCD40(L) circuit board. Connect the EIA-485 and power wiring into the terminal block positions illustrated in Figure 1-1 on page 8, Figure 4-1 on page 21 and Figure 4-3 on page 23. Plug the terminal blocks back into the P1 and P2 connectors on the back of the annunciator circuit board. Set DIP switch SW1 for the desired options (refer to Figure 1-2 on page 9).

Carefully insert the ADT-LCD40(L) into the three-gang electrical box and attach it using the four mounting holes on the ADT-LCD40(L) flange and the four screws provided for this purpose. Replace the trim ring and secure with the two screws which were previously removed. *Do not overtighten.*

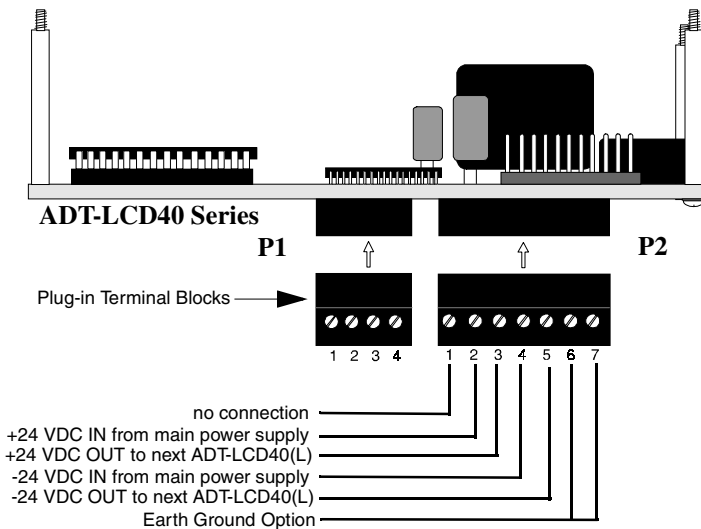
Figure 3-4: Surface Mounting



Section 4: *ADT-LCD40 Series Electrical Connections*

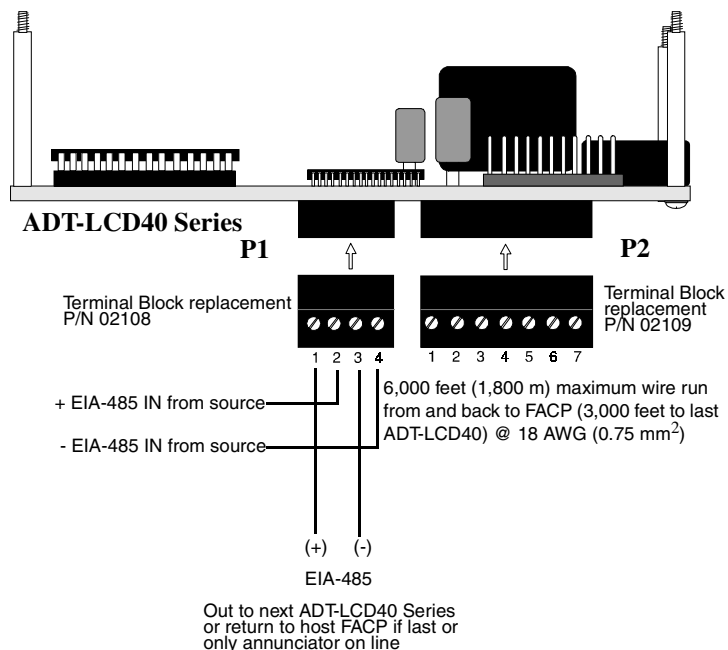
The ADT-LCD40 Series Annunciators can be powered by the Unimode 200 24VDC nominal power or from a remote UL listed, filtered power supply such as the FCPS-24F. The power run to the annunciator must be power-limited but need not contain a power supervision relay since loss of power is inherently supervised through loss of communication with the annunciator. Maximum ADT-LCD40 Series current draw from the power supply (under alarm condition) is 66 mA. Maximum current draw from the control panel's secondary power source (batteries) under loss of AC power is 28 mA, since the LCD backlight is turned off during AC loss. Backlighting is turned back on during AC loss only for alarm conditions in the system.

Figure 4-1: Power Connection



1. All connections are power-limited and supervised
2. 12 - 18 AWG (0.75 - 3.25 mm²) wire for 24 VDC circuit is acceptable
3. Power wire distance limitation is set by 1.2 volt maximum line drop from source to end of circuit.

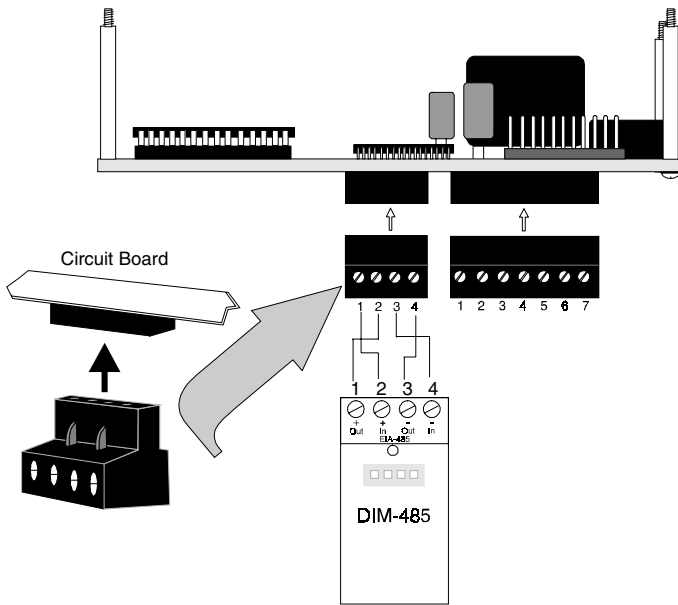
Figure 4-2: EIA-485 Connection



Notes:

1. All connections are power-limited and supervised
2. A maximum of 32 ADT-LCD40 Series annunciators may be connected to this circuit
3. 6,000 feet (1,800 m) maximum distance @ 18 AWG (0.75 mm²) between the panel, annunciators and return to the panel.
4. Use overall foil/braided-shielded twisted pair cable suitable for EIA-485 applications (refer to "EIA-485 Shield Termination" on page 25, for shield termination information)
5. The EIA-485 circuit is rated at 5.5 VDC maximum and 60 mA maximum
6. The ADT-LCD40 Series annunciators have resistors built into the circuit board at the In (Terminals 2 & 4) and the Out (Terminals 1 & 3) for impedance matching. There is no need for the installer to add impedance matching resistors

Figure 4-3: DIM-485 Connections



DIM-485 CONNECTIONS	
DIM-485	ADT-LCD40 Series ³
Terminal 1 - OUT (+)	P1 Terminal 2 - IN (+)
Terminal 2 - IN (+)	P1 Terminal 1 ² - OUT (+)
Terminal 3 - OUT (-)	P1 Terminal 4 - IN (-)
Terminal 4 - IN (-)	P1 Terminal 3 ² - OUT (-)

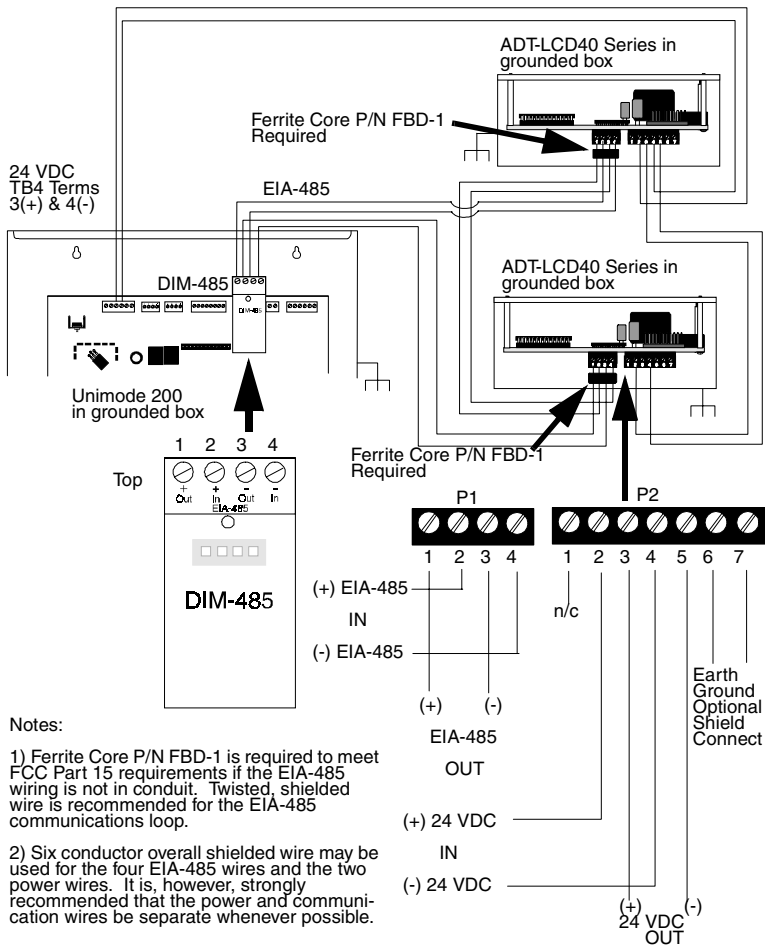
1. Terminal to terminal wiring is shown between the DIM-485 and one ADT-LCD40 Series Annunciator
2. If more than one ADT-LCD40 Series Annunciator is installed, the wiring to the DIM-485 In (+) Terminal 2 and In (-) Terminal 4 will be from the last installed annunciator (refer to Figure 4-4 on page 24)
3. The ADT-LCD40 Series Annunciators have resistors built into the circuit board at the In (Terminals 2 & 4) and the Out (Terminals 1 & 3) for impedance matching. There is no need for the installer to add impedance matching resistors
4. Connect wiring to DIM-485 terminals before plugging DIM-485 into connector J11 of the Unimode 200 main circuit board.

Dim-485 Installation.

CAUTION! Connect all wiring to the DIM-485 terminals before plugging it into connector J11 on the Unimode 200 circuit board.

1. Carefully align the DIM-485 connector with the four pins on connector J11 of the Unimode 200
2. Press firmly on the DIM-485 connector to seat properly on connector J11 being careful not to bend any pins
3. Be certain to secure the DIM-485 module to the Unimode 200 and keep all wiring from mechanically interfering with module.

Figure 4-4: Wiring FACP to ADT-LCD40 Series



Section 5: *EIA-485 Shield Termination*

The EIA-485 circuit must be wired using a twisted, shielded pair cable with a characteristic impedance of 120 ohms (+/- 20%). Do not run cable adjacent to or in the same conduit as 120 VAC service, noisy electrical circuits that are powering mechanical bells or horns, audio circuits above 25 V_{RMS}, motor control circuits or SCR power circuits.

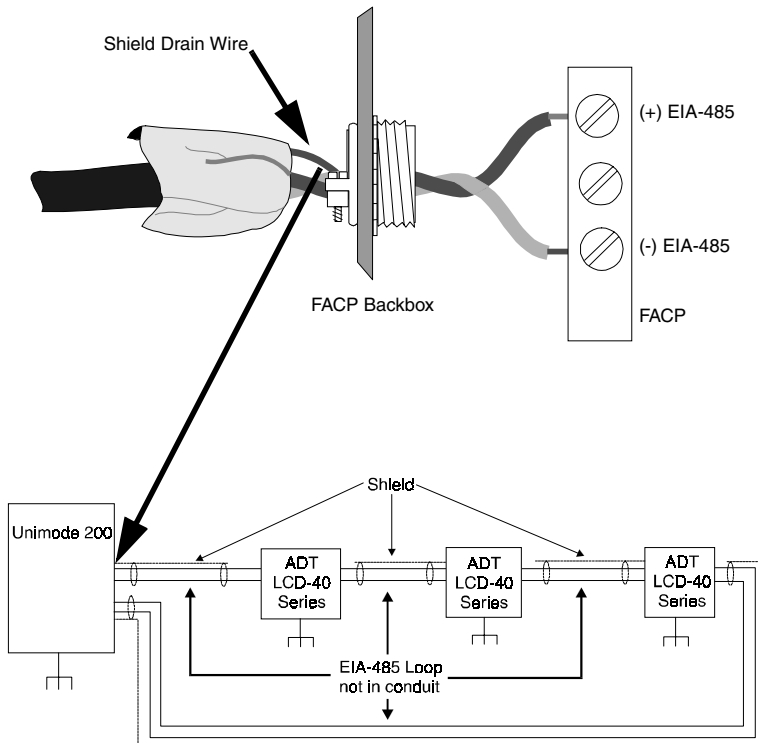
Note: To ensure static (ESD - electrostatic discharge) protection, all enclosures, including the ADT-LCD40 Series electrical box, must be connected to earth ground! Never use the EIA-485 shield for this purpose. The EIA-485 shield is for radiated noise emission protection (RFI, EMI). Refer to the following figures for details on EIA-485 shield termination.

5.1 EIA-485 Shield Not in Conduit

The EIA-485 line allows the FACP to communicate with the ADT-LCD40 Series Annunciators. The shield for the EIA-485 line must be connected to earth ground at the FACP but must be left floating (no connection) at the annunciator if it is the first or only device on the EIA-485 line. If a second annunciator is connected, the shield leaving the first annunciator must be left floating. The shield entering the second annunciator must be connected to the three-gang box or Earth Ground terminal (P2-7) on the second annunciator. If additional annunciators are connected, the shield leaving each enclosure must be left floating and the shield entering each must be connected to the three-gang box or the Earth Ground terminal (P2-7) on the annunciator.

Figure 5-1: EIA-485 Without Conduit

Connect the drain wire to the outside of the Unimode 200 cabinet via a BX-type connector.

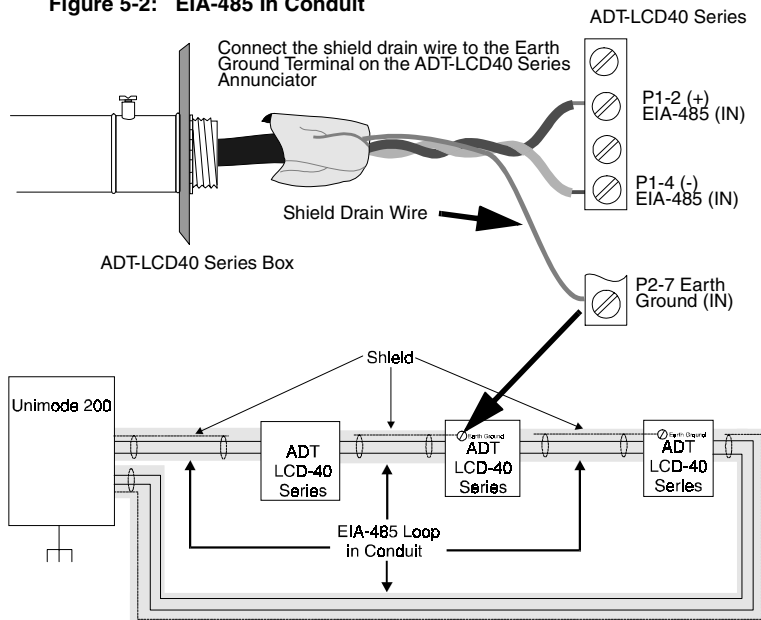


5.2 EIA-485 Shield in Full Conduit

The EIA-485 line allows the FACP to communicate with the ADT-LCD40 Series Annunciators. The shield for the EIA-485 line must be connected to earth ground at the FACP (both exiting and entering the FACP) but must be left floating (no connection) at the annunciator if it is the first or only device on the EIA-485 line. If a second annunciator is connected, the shield leaving the first annunciator must be floating. The shield entering the second annunciator must be connected to the Earth Ground terminal (P2-7) on the second annunciator. If additional annunciators are connected, the shield leaving each annunciator must be left floating and the shield entering the following unit must be connected to the Earth Ground terminal (P2-7) on the annunciator.

Caution! Do not allow the floating (no connection) end of the shield to contact the conduit. The floating end should be insulated from earth ground.

Figure 5-2: EIA-485 In Conduit



Notes:

- 1) Power-limited 24 VDC power may be run in the same conduit as the EIA-485 wiring
- 2) Twisted, shielded wire is recommended for the EIA-485 communications loop
- 3) Each ADT-LCD40 Series electrical backbox is connected to earth ground via the conduit
- 4) Shield is connected to the FACP cabinet (earth ground) leaving and entering the FACP

Section 6: *Programming the Unimode 200*

The Unimode 200 must be programmed to allow use of the ADT-LCD40 Series Annunciators. In order to program the Unimode 200, make certain the main circuit board 'Write Protect' switch (SW1) is in the down position and then press the ENTER key on the panel keypad. After pressing ENTER, the screen shown below is displayed:

```
1 = PROGRAMMING
2=RD.STATUS 3=AC/BAT
```

To enter the Programming Mode, press '1'. The display will read:

```
KEY PASSWORD, ENTER
```

Enter the Level 1 password. The following screen will appear:

```
0=CLR 1=AUTO 2=POINT
3=SYS 4=PWORD 5=LOAD
```

Press '3' to enter System Edit. The system edit screen may appear as shown (note that previous programming may have altered some N or No designations to Y or Yes):

```
U=N I=N A=N P=N C=N
A/U=N L/P=N S=4 R=4
```

Use the left and right arrow keys to move to the L/P option. Once at the L/P option, to enable the ADT-LCD40 Series Annunciator option, use the up and down arrow keys to scroll to the L (for ADT-LCD40 Series Annunciator) choice. The ADT-LCD40 Series can now communicate with the Unimode 200.

To leave Programming Mode, press the Backspace (left arrow) key repeatedly until Program Mode is exited.

Index

A

Acknowledge switch 6, 7, 12, 14

ADT-LCD40 6, 7, 10, 14, 15

 see also ADT-LCD40 Series Annunciators

 software version 6

ADT-LCD40 Series Annunciators 6, 12, 13, 16, 17, 19, 20, 21, 22, 23, 28

ADT-LCD40 Series Annunciators display

 custom alpha labels 6

 device type 6

 point alarm 6

 supervisory 6

 system point status 6

 trouble 6

 zone labels 6

ADT-LCD40L 6, 7

 see also ADT-LCD40 Series Annunciators

Alarm LED 6, 7, 16

Alarm Silence LED 15

annunciators

 maximum per EIA-485 circuit 7, 12, 22

B

backboxes 18

backlight 7, 21

C

communication 6

 see also EIA-485 circuit 6

communications fault 13

components 8

configuration 12

control switches

 ADT-LCD40L only 6

current rating 21

 AC fail 9

 alarm 9

 standby 9

 trouble 9

D

DIM-485 23, 24

 connections 23

 installation 24

wiring 23

DIM-485 module 7

DIP Switch settings 8, 10, 11

- function switches 11
- piezo sounder 11
- Receive/Transmit 10, 11
- SW1 10

DIP switches 7

- SW1 14, 19, 20

display

- scroll 14, 15
- step through 15

distance from panel 7, 12, 22

Drill switch 6, 7, 12, 14, 15

E

earth ground 9, 17, 25, 27

EIA-485 circuit 6, 7, 12, 19, 22, 25, 26, 27

- fault 10

EIA-485 connection 22

electrical box 17, 18

electrical connections 21

electrostatic discharge 25

F

fault

- communication failure 10

FCC Part 15 requirements 24

Ferrite Core 24

filtered 9

flange 18, 20

function switches 6, 7

- enable/disable 11, 14

I

impedance matching 22, 23

K

key-switch 6, 14

- enable/disable 7, 10

L

lamp test 15

LCD display 7, 13

- mimic control panel display 6
- see also Liquid Crystal Display 6

Liquid Crystal Display 6
Local Authority Having Jurisdiction 8, 10

M
Manual Evacuate 15
mounting 7, 17, 19
 semi-flush 7
 surface 7, 20

N
NAC
 see also Notification Appliance Circuit 15
nonresettable 9

O
Operation 13

P
piezo sounder 7, 15
 alarm resound 7
 enable/disable 8, 10, 11
 silence 14
 trouble resound 7
power connection 21
Power LED 6, 7, 16
power source 6, 9, 12, 21
power-limited 9, 12, 21, 22
power-up 13
programming 7, 12
 Unimode 200 13, 28

R
Receive/Transmit 10, 11
Reset switch 6, 12, 14, 15
resettable power 15
resistors
 impedance matching 22, 23

ROM 8

S
SBB-3 electrical box 17, 18, 20
semi-flush mounting 7, 19
shield 17, 25, 27
Signal Silence switch 7, 12
silence
 NAC 15
 piezo sounder 14, 15

Silence switch 6, 14, 15

software version

ADT-LCD40 6

Unimode 200 6

static 25

static protection 17

supervised 21, 22

Supervisory LED 6, 7, 16

surface mount 7, 20

SW1 DIP Switch 10

switch functions 14

System LEDs 14, 15, 16

System Reset switch 7

System Status LEDs 6, 7

T

terminal block 7, 9, 19, 20

three-gang electrical box 17, 19, 20

trim ring 17, 18, 19, 20

Trouble LED 6, 7, 16

U

Unimode 200 6, 7, 12, 13, 15, 21, 23, 24, 26

programming 28

software version 6

Unimode 200 programming 13

W

wire

distance 21

requirements 12

size 21, 22

type 22, 25

wiring 12, 19, 23, 24, 25

wiring connections 9

Notes

Notes

Notes

Free Manuals Download Website

<http://myh66.com>

<http://usermanuals.us>

<http://www.somanuals.com>

<http://www.4manuals.cc>

<http://www.manual-lib.com>

<http://www.404manual.com>

<http://www.luxmanual.com>

<http://aubethermostatmanual.com>

Golf course search by state

<http://golfingnear.com>

Email search by domain

<http://emailbydomain.com>

Auto manuals search

<http://auto.somanuals.com>

TV manuals search

<http://tv.somanuals.com>