

User Guide

Zebra DVD+/-R/RW Drive with eSATA and USB2.0 Connection (ZDVRRWESU)

www.addonics.com

v5.1.11

Technical Support

If you need any assistance to get your unit functioning properly, please have your product information ready and contact Addonics Technical Support at:

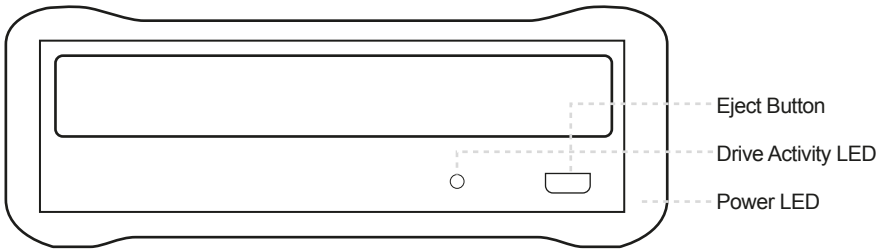
Hours: 8:30 am - 6:00 pm PST

Phone: 408-453-6212

Email: <http://www.addonics.com/support/query/>

Download from [Www.Somanuals.com](http://www.Somanuals.com). All Manuals Search And Download.

Front



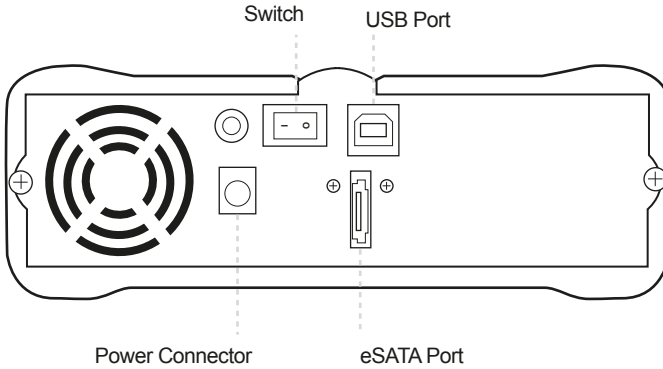
Hardware Installation

1. Connect the power adapter to the power connector located at the back of the enclosure.
2. Connect the data cable using
 - a. eSATA connection
Note: You should have configured the eSATA host controller on your system before you connect the writer. Once the eSATA host controller is configured, do the following steps below.

Plug-in the eSATA cable to the eSATA port on the enclosure and attached the other end to your eSATA host controller.
 - b. Or USB2.0 connection
Attach the USB cable to the USB port on the enclosure and in your system.
3. Power ON the enclosure using the switch on the back panel. You should see the Green Power LED on the front panel at the bottom right light up.

Note: Windows 2000 & XP use built-in USB drivers. No need to install third-party drivers.

Back



Software Installation

DVD and CD Copying Software Installation:

1. Load the DVD and CD Copying Disc onto the CD-ROM or DVD-/+R/RW drive.
2. Click on the Install Button to start installation process.
3. Follow the On screen Wizard for installation.
4. Wait for a few seconds to finish the installation.
5. Restart the system when prompted.
6. You may now burn CD or DVD disc.

Note: Serial Number or CD key can be found on the CD sleeve if prompted.

Please read the On-Line Help of the software for all the detail commands and features of the software.

CONTACT US

www.addonics.com

Phone: 408-573-8580

Fax: 408-573-8588

Email: <http://www.addonics.com/sales/query/>

Free Manuals Download Website

<http://myh66.com>

<http://usermanuals.us>

<http://www.somanuals.com>

<http://www.4manuals.cc>

<http://www.manual-lib.com>

<http://www.404manual.com>

<http://www.luxmanual.com>

<http://aubethermostatmanual.com>

Golf course search by state

<http://golfingnear.com>

Email search by domain

<http://emailbydomain.com>

Auto manuals search

<http://auto.somanuals.com>

TV manuals search

<http://tv.somanuals.com>