



Wireless SlimTouch™ Keyboard



Model: WKB-4400UB



QuickGuide English

①

LIMITED WARRANTY

ADESSO provides one year limited warranty for the quality of all its products in materials and workmanship.

During this period, ADESSO will repair or replace all merchandise, which proved to be defective. However, ADESSO will not warranty any product which has been subjected to improper freight Handling, shipping abuse, neglect or unauthorized repair or installation. The warranty also will not cover products installed with Non-ADESSO components and product with broken sealed and assembly trace. After replacement of RMA, ADESSO reserves the right to request the total cost of the replacement products with broken seals or assembly trace.

If you discover a defect, Adesso will, at its option, repair or replace the product at no charge to you, provided you return it during the warranty period with transportation charges pre-paid to Adesso. You must contact Adesso at support@adesso.com for a Return Merchandise Authorization number (RMA) prior to returning any product. For each product returned for warranty service, please include your name, shipping address (no P.O. Box), telephone number, copy of the bill of sale as proof of purchase and have the package clearly marked with your RMA number.

SUPPORT

We have listed most of our FAQ's (Frequently Asked Questions) at: <http://www.adesso.com/faqs.asp>. Please visit our FAQ Service & Support pages before you contact our E-mail or Telephone Support.

Email Support: If our FAQ's do not help you resolve your issues, please email support@adesso.com

Telephone Support:
Toll Free: (800) 795-6788
9:00AM to 5:00PM PST Monday - Friday

②

INTRODUCTION

Work without the limitations created by cables, wires and line of sight receivers. Whether you are working, surfing the web, or kicking back with your favorite tunes, everything you need is right here. The WKB-4400UB is an all-in-one solution providing a full 104-key QWERTY keyboard and a built-in touchpad. Now you can control every aspect your PC, including Multi-Media functions from one convenient location. The WKB-4400UB also features left and right mouse buttons with scroll wheel features so navigating long documents or web pages is a breeze. With its clean lines and elegant metallic accent, the SlimTouch keyboard is equally at home in the living room or the boardroom. Perfect for media centers, conference rooms, small workstations or any desktop. And the compact size means you can take it with you as it fits easily into a briefcase or backpack. No drivers needed, simply plug in the mini USB receiver and you are set.

FEATURES

- 2.4GHz Wireless Technology range up to 30 Ft
- 104 Keys Enhanced Desktop Keyboard
- Actual Dimensions: 18.4" x 6.7" x 1"
- Touchpad Dimensions: 2.24" x 1.53"
- 2 Mechanical Buttons
- Weight: 1.75 lbs

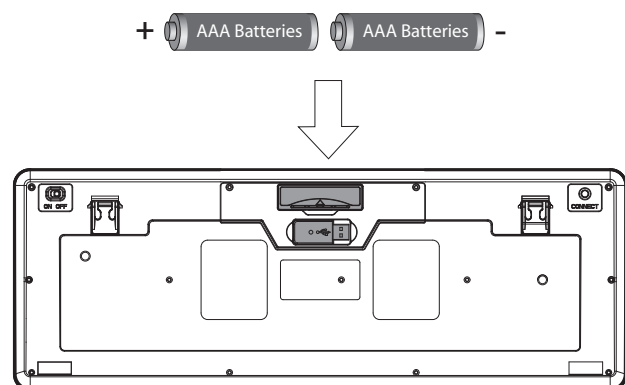
REQUIREMENTS

- Hardware: IBM, Pentium II class compatible or higher
- Operating System: Windows 7, Windows Vista, XP and below
- Connection: USB

③

INSTALLATION

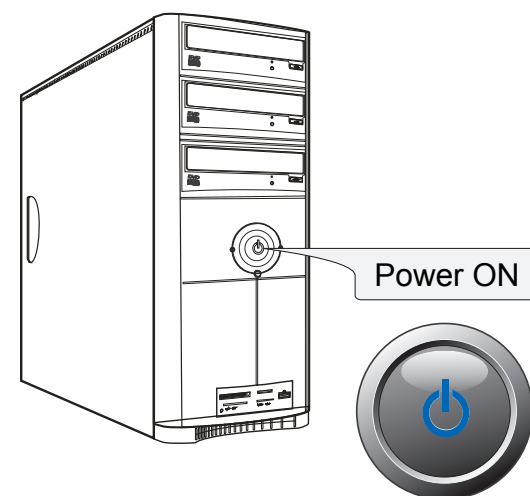
- Place batteries.
 - Open the battery cover under the keyboard and place 2 AAA batteries inside.



- Close the battery compartment cover.

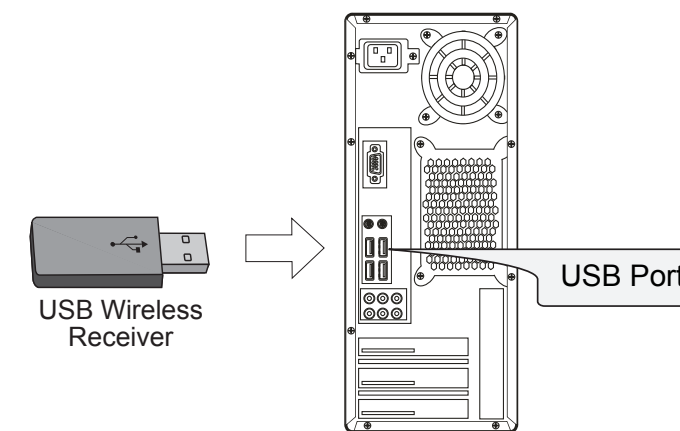
④

- Turn ON your computer and let Windows load completely.



⑤

- Plug the USB Wireless Receiver of the keyboard into the USB port of your computer. The receiver will be blinking after it is detected by your system.

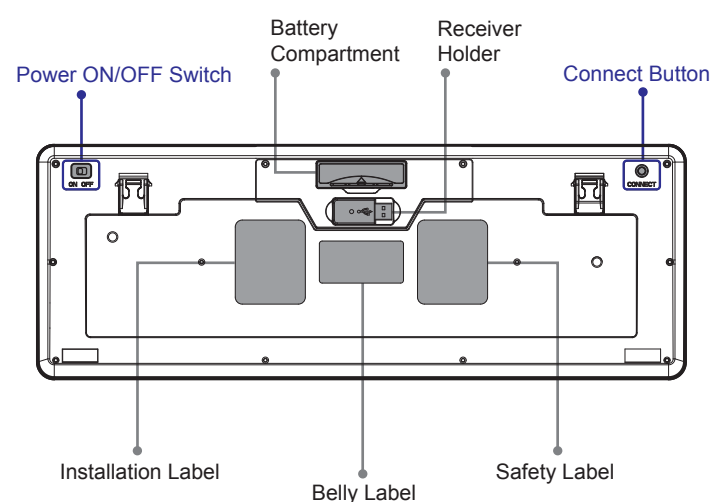


NOTE:

A Windows dialog box New Found Hardware will appear and the system will install the driver automatically and complete the installation.

⑥

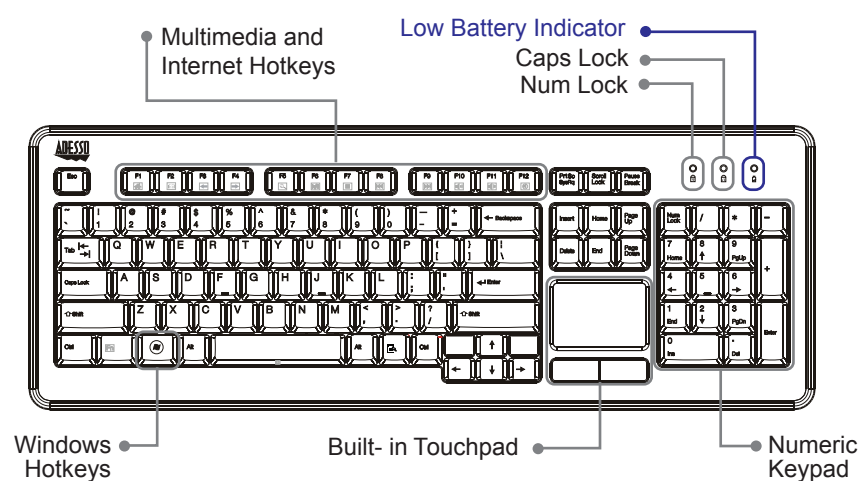
- Power the keyboard by switching it "ON". The power switch is located on the left edge of the keyboard's backside. (By default the power of the keyboard is switched "ON".)
 - Press the "CONNECT" button for 1 second then release.



- Connection will be successful once the LED light of the receiver will stop blinking.

⑦

DESCRIPTION



NOTE:

To help maximize the battery life of your keyboard, the Green LED of the Caps Lock and Number Lock key will only stay on for approximately 30 seconds while the keyboard is idle. However, the Caps Lock and Number Lock keys will still be engaged, even though the LED is off. When you being typing, the LED will light again.

⑧

NOTE:

- RF Signal LED on the receiver will flash when the keyboard is being used.
- When the Battery Low LED is ON, it means the keyboard requires to change the batteries.
- The keyboard goes to sleep mode after 5 mins of inactivity but we suggest to turn "OFF" the keyboard when leaving your desk for more than an hour to save battery life for longer lasting use.

TROUBLESHOOTING

If you cannot get your keyboard to work after installation, please try the following:

- Make sure you have connected the receiver correctly to the computer. The receiver has been properly plugged onto computer's USB ports.
- Make sure you have inserted two AAA batteries inside the battery compartment correctly. Move the keyboard closer to the receiver.
- Wireless phone, routers and other devices that uses 2.4GHz frequency, might cause interference with your keyboard.

V1.0 031710

⑨

Free Manuals Download Website

<http://myh66.com>

<http://usermanuals.us>

<http://www.somanuals.com>

<http://www.4manuals.cc>

<http://www.manual-lib.com>

<http://www.404manual.com>

<http://www.luxmanual.com>

<http://aubethermostatmanual.com>

Golf course search by state

<http://golfingnear.com>

Email search by domain

<http://emailbydomain.com>

Auto manuals search

<http://auto.somanuals.com>

TV manuals search

<http://tv.somanuals.com>