

# Admiral®

## SLIDER CASEMENT ROOM AIR CONDITIONER Use and Care Manual

CORREDIZO MARCO DE AIRE ACONDICIONADO PARA HABITACIONES  
Manual de Uso y Mantenimiento



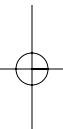
**AAWV-12CR1FAU**  
**AAWV-10CR1FAU**  
**AAWV-08CR1FAU**  
**AAWV-06CR1FAU**

Thank you for purchasing an **Admiral®** room air conditioner. Please read this "Use and Care Manual" carefully before installing and using this appliance. Keep this manual for future reference.

Muchase gracias por comprar un aire acondicionado **Admiral®**. Lea atentamente el "Manual de Uso y Mantenimiento" antes de instalar y utilizar este producto. Conserve este manual para consultarlo en el futuro.

**For Service Call 1 877 465 3566**

Para obtener servicio técnico, llame al 1 877 465 3566



# TABLE OF CONTENTS

|                                 | Page |
|---------------------------------|------|
| Introduction .....              | 2    |
| Parts Identification .....      | 2    |
| Air Conditioner Safety .....    | 3-4  |
| Electrical Specifications ..... | 5    |
| Tips Before Installation .....  | 6    |
| Installation Instructions ..... | 7-8  |
| Operating Instructions .....    | 9-11 |
| Care and Maintenance .....      | 12   |
| Troubleshooting Guide .....     | 13   |
| Warranty .....                  | 14   |

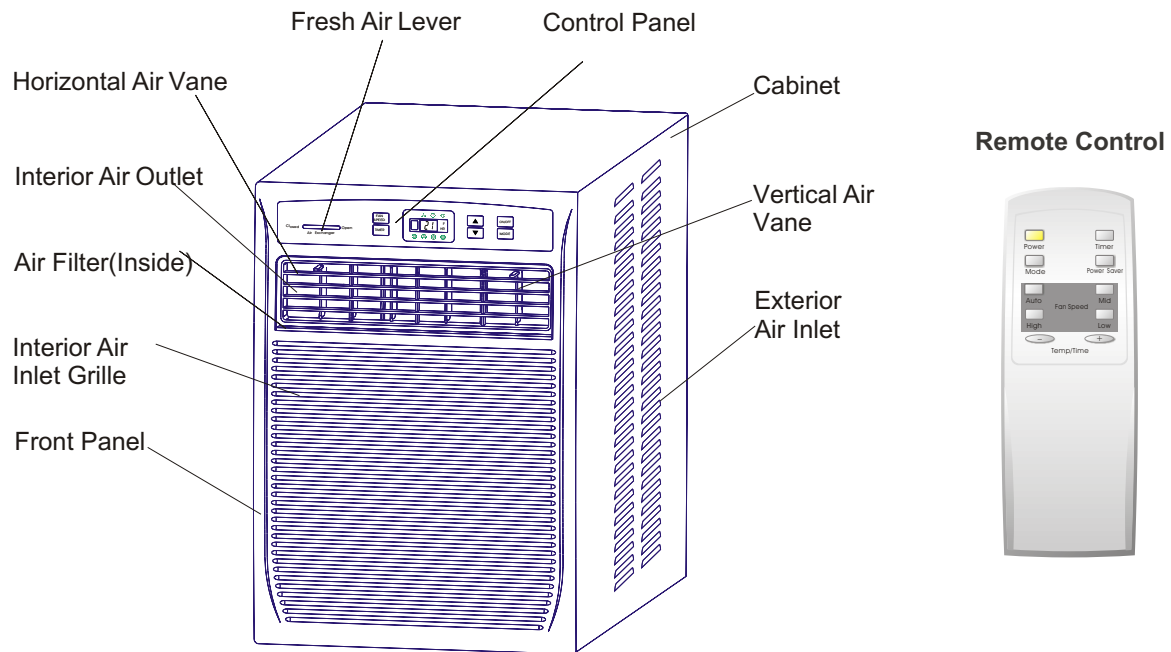
# ÍNDICE

|  | Page  |
|--|-------|
| Introducción .....                       | 15    |
| Identificación de las Piezas .....       | 15    |
| Especificaciones Eléctricas .....        | 16    |
| Consejos Antes de la Instalación .....   | 17    |
| Instrucciones de Instalación .....       | 18-19 |
| Instrucciones de Operación .....         | 20-22 |
| Cuidado y Mantenimiento .....            | 23    |
| Guía para la Solución de Problemas ..... | 24    |
| Garantía .....                           | 25    |

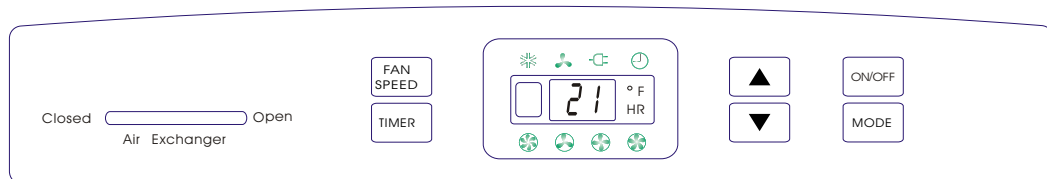
# INTRODUCTION

Thank you for choosing this room air conditioner to cool your home. This *USE AND CARE MANUAL* provides information necessary for the proper care and maintenance of your new room air conditioner. If properly maintained, your air conditioner will give you many years of trouble free operation. To avoid installation difficulties, read instructions completely before starting. This manual contains information for the installation and operation of your room air conditioner.

## ► PART IDENTIFICATION



**Control Panel**



**Note:**  
 The figures in this manual are based on the external view of a standard model. Consequently, the shape may differ from that of the air conditioner you have selected.

# AIR CONDITIONER SAFETY

**Your safety and the safety of others are very important.**

We have provided many important safety messages in this manual and on your appliance. Always read and obey all safety messages.



This is the SAFETY ALERT SYMBOL.

This symbol alerts you to potential hazards that can kill or hurt you and others.

All safety messages will follow the safety alert symbol and either the word "DANGER" or "WARNING." These words mean:

**! DANGER**

**You can be killed or seriously injured if you don't immediately follow instructions.**

**! WARNING**

**You can be killed or seriously injured if you don't follow instructions.**

All safety messages will tell you what the potential hazard is, tell you how to reduce the chance of injury, and tell you what can happen if the instructions are not followed.

## IMPORTANT SAFETY INSTRUCTIONS

**WARNING:** To reduce the risk of fire, electrical shock, or injury when using your air conditioner, follow these basic precautions:

- Plug into a grounded 3-prong outlet.
- Do not use an extension cord.
- Do not remove ground prong.
- Unplug air conditioning before servicing.
- Do not use an adapter.
- Use two or more people to move and install air conditioner.

**— SAVE THESE INSTRUCTIONS —**

# INSTALLATION REQUIREMENTS

- The portable air conditioner should be connected to a 115 V, 60 Hz, 15- or 20-amp fused 3-prong grounded outlet.
- The use of a time-delay fuse or time-delay circuit breaker is recommended.
- All wiring must comply with local and national electrical codes and be installed by a qualified electrician. If you have any questions, contact a qualified electrician.

## Electrical Requirements

### **! WARNING**

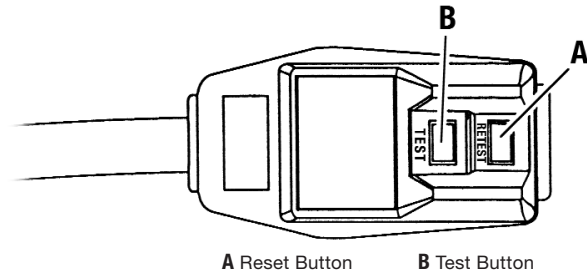


#### **ELECTRIC SHOCK HAZARD**

- Plug into a grounded 3-prong outlet.
- **Do not** remove ground prong.
- **Do not** use an adapter.
- **Do not** use an extension cord.
- **Failure to follow these instructions can result in death, fire, or electrical shock.**

## Power Supply Cord

NOTE: Your unit's device may differ from the one shown.



This room air conditioner is equipped with a power supply cord required by UL. This power supply cord contains state-of-the-art electronics that sense leakage current. If the cord is crushed, the electronics detect leakage current and power will be disconnected in a fraction of a second.

### To test your power supply cord:

1. Plug power supply cord into a grounded 3-prong outlet.
2. Press RESET.
3. Press TEST (listen for click; Reset button will trip and pop out).
4. Press and release RESET (listen for click; Reset button will latch and remain in). The power supply cord is ready for operation.

### NOTES:

- The Reset button must be pushed in for proper operation.
- The power supply cord must be replaced if it fails to trip when the test button is pressed or fails to rest.
- Do not use the power supply cord as an off/on switch. The power supply cord is designed as a protective device.
- A damaged power supply cord must be replaced with a new power supply cord obtained from the product manufacturer and must not be repaired.
- The power supply cord contains no use serviceable parts. Opening the tamper-resistant case voids all warranty and performance claims.

# INSTALLATION INSTRUCTIONS

## Unpack the Air Conditioner

### **! WARNING**

#### **EXCESSIVE WEIGHT HAZARD**

**Use two or more people to move and install air conditioner.**  
**Failure to do so can result in back or other injury.**

## Remove packaging materials

- Remove and properly dispose of packaging materials. Remove tape and glue residue from surfaces before turning on the air conditioner. Rub a small amount of liquid dish soap over the adhesive with your fingers. Wipe with warm water and dry.
- Do not use sharp instruments, rubbing alcohol, flammable fluids, or abrasive cleaners to remove tape or glue. These products can damage the surface of your air conditioner.
- Handle air conditioner with care.

# ELECTRICAL SPECIFICATIONS

1. All wiring must comply with local and national electrical codes and must be installed by a licensed electrician. Once you have any questions regarding the following instructions, contact a licensed electrician.

2. Check available power supply and resolve any wiring problems **BEFORE** installing and operating this unit.

3. For your safety and protection. This unit is grounded through the power cord when plugged into a matching wall outlet. **If you are not sure whether your wall outlet is properly grounded, please consult a licensed electrician.**

4. The wall outlet(3-pin) must match the plug (3-pin) on the service cord supplied with the unit. DO NOT use plug adapters or extension cord. See (Table 1) for receptacle and fuse information.

5. The rating plate on the unit contains electrical and other technical data. The rating plate is located on the right side of the unit.



## Electric Shock Hazard

If the air conditioner has a serial plate rating of 115 volts and up to and including 7.5 amps the unit maybe on a fuse or circuit breaker with other devices. However, the maximum amps of all devices on that fuse or circuit breaker can not exceed the amps of the fuse of circuit breaker.

If the air conditioner has a serial plate rating of 115 volts and greater than 7.5 amps it must have its own fuse or circuit breaker, and no other device or unit should be operated on the fuse or circuit breaker.

To avoid the possibility of personal injury, disconnect power to the unit before installing or servicing.


| Receptacle and Fuse Types            |   |
|--------------------------------------|---|
| Rated Volts                          | 125   |
| AMPS                                 | 15  |
| Wall Outlet                          |  |
| Fuse Size                            | 15  |
| Time Delay Fuse (or circuit breaker) | Plug type   |

Table 1

# TIPS BEFORE INSTALLATION

Your Room Air Conditioner unit is designed to be highly efficient and save energy. Follow these recommendations for greater efficiency.

1. Select the thermostat setting that suits your comfort needs and leave the thermostat at that chosen setting.
2. The filter is very efficient in removing airborne particles. Keep air filter clean. Normally, filter should be cleaned once a month. More frequent cleaning may be necessary depending on outdoor and indoor air quality.
3. Use drapes, curtains, or shades to keep direct sunlight from heating your room, but **DO NOT** obstruct the air conditioner. Allow air to circulate around the unit without obstructions.
4. Start your air conditioner before outdoor air becomes hot and uncomfortable. This avoids an initial period of discomfort while the unit is cooling off the room.
5. When outdoor temperature is cool enough, use **HIGH** or **LOW FAN** only. This circulates indoor air, providing some cooling comfort, and utilizes less electricity than when operating on a cooling setting.

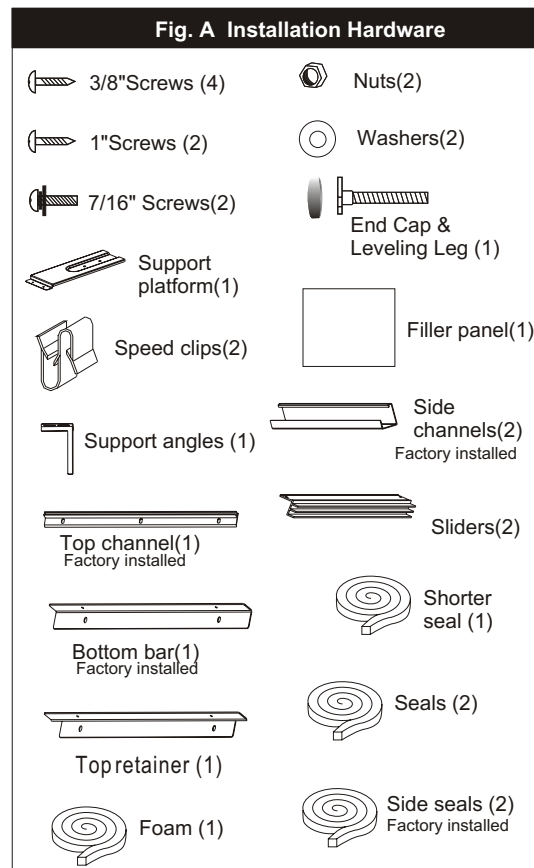
## ⚠ CAUTION ⚠

To avoid installation/operating difficulties, read the instructions thoroughly.

Your Room Air Conditioner was designed for easy installation in a vertical (slider type) windows.

**NOTE:** This unit is **NOT** designed for single or double-hung windows.

**NOTE:** Save the shipping carton and packing materials for future storage or transport of the unit. Please check the contents of hardware kit against the corresponding model check list, prior to installation of the unit. See lists below. (Fig. A)

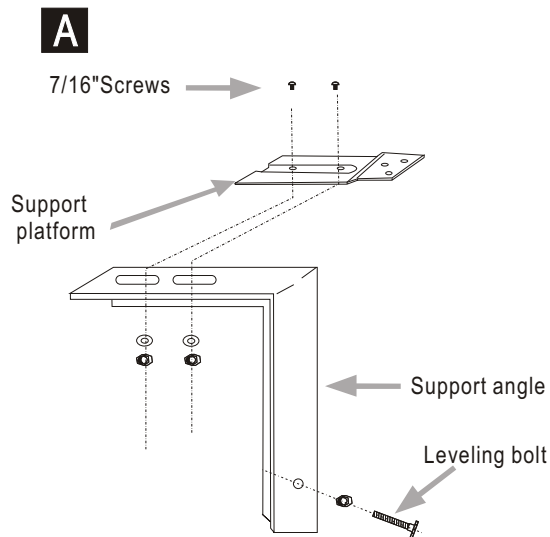


**NOTE: Surplus screw(s) for spare use.**

Tools Needed for Window Installation  
 Screw drivers: Both Philips and flat head  
 Power drill: 1/8 inch diameter drill bit  
 Pencil  
 Measuring tape  
 Scissors  
 Carpenters level



# INSTALLATION INSTRUCTIONS

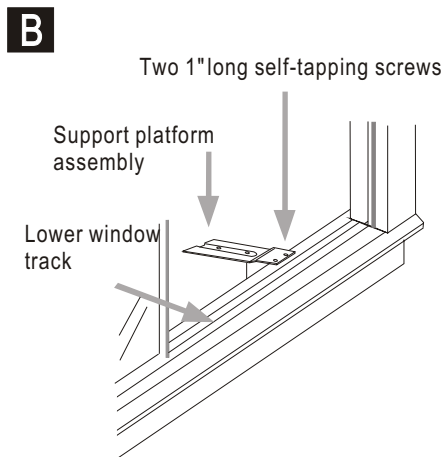


## Sliding Window Installation

1. Choose the installation site. It is imperative that the window frame assembly and the side of the structure are adequate to support the weight of the unit. Reinforce if necessary.
2. Slide open one window sash to install support platform.
3. Loosely attach support angle to bottom of support platform using two 7/16" screws, washers and nuts. (See fig. A)
4. Place support platform against lower window track and firmly against vertical edge of window frame.
5. Attach support platform to window sill using two 1" self-tapping screws. To overcome interference of support the Platform with window track or storm window, securely attach a 2" wide shim strip to the window sill. The strip should be as long as the width of the support platform and flush with the back edge of the sill. The thickness of the strip should be controlled by the amount of interference. (See fig. B)
6. Pull support angle against outside of structure. Tighten two 7/16" screws on top of the support platform.
7. Adjust leveling bolt to position support angle in a level plane. This will allow for the proper angle. Tighten leveling bolt locknut.

**Important: Unit must be level or tilted back slightly to facilitate proper condensate disposal.**

**Caution: Do not drill a hole in the bottom pan. The unit is designed to operate with approximately 1/2" of water in the bottom pan.**

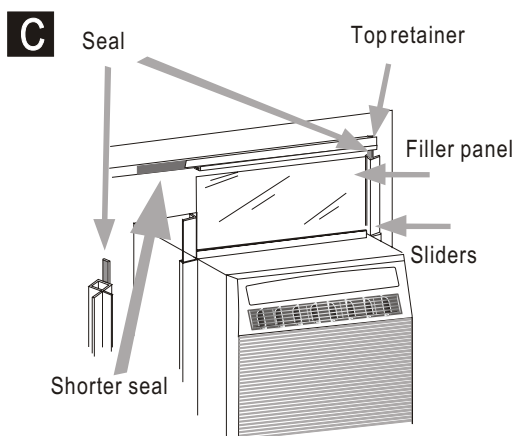


8. Cut two pieces of adhesive seal to height of window opening. Remove backing and apply to vertical inside edges of window frame and sliding sash that will rest against unit. (See fig. C)

9. Slide unit onto support platform. Be sure unit side channel butts against vertical edge of window frame.

**Note: If unit side channel does not fit securely, remove unit and readjust leveling bolt.**

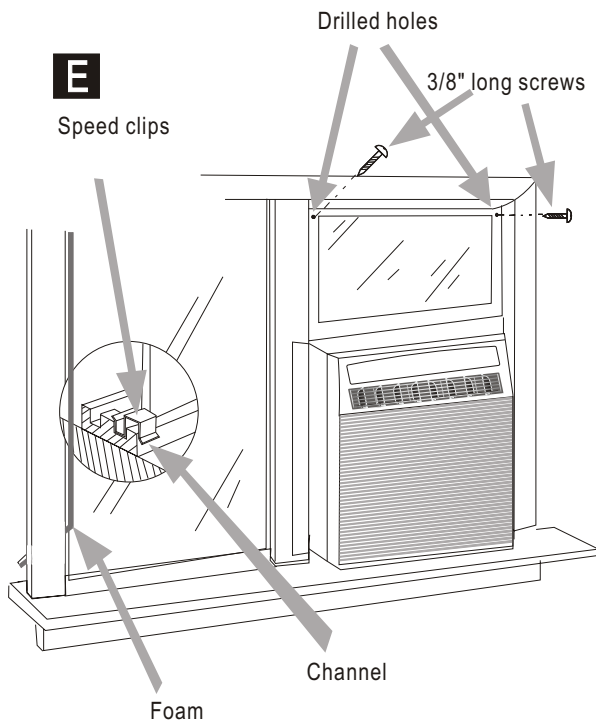
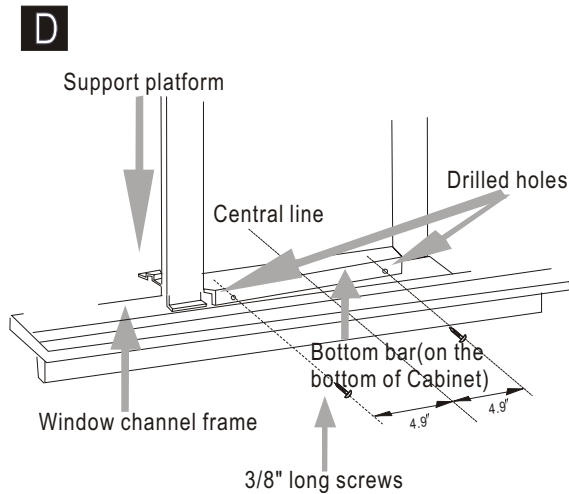
10. Drill two 1/8" holes through window channel frame in alignment with existing holes in bottom bar. Install two 3/8" long self-tapping screws through these holes. If the window channel frame is not tall enough to use existing holes, drill new holes off to the side of the existing holes to attach the unit bottom bar to the support platform. The unit should be firmly anchored to the window channel frame or support platform. (See fig. D)



11. Slide inside window sash closed. Be sure vertical edge of inside window sash is pressed firmly against side of unit cabinet. Cut remaining seal to width of window opening. Remove backing and apply to top inside edge of window frame. (See fig. C)

**The above installations are intended to be permanent, and when installed in apartment or rental properties, permission to make the above modifications should be obtained from owners or landlords of buildings prior to installation of unit.**

# INSTALLATION INSTRUCTIONS



**Caution: Do not block air circulation to outside louvers of cabinet.**

12. Install speed clips on top and bottom inside edge of window to provide locking. (See fig. E)
13. Using supplied foam, cut to proper length, insert between inside window sash and outside window. (See fig. E)
14. Place top retainer on top edge of filter panel, then place the bottom edge of filler panel into groove of bottom retainer (mounted on unit). Filler panel may be trimmed with knife or scissors to fit window height. (See fig. C)
15. Slide sliders upward making sure filler panel aligns in sliders.
16. With sliders up against top retainer, drill 1/8" hole through window frame in alignment with existing hole in slider. Install 3/8" long self-threading screw in hole. Repeat for other slider.
17. Check all seals and plug all air leaks around unit. Use supplied sealant to fill any minor openings.

## Casement Window Installation

This air conditioner is designed to fit into most casement type windows. As shipped from factory, unit will fit into a minimum window opening 15 1/2" wide and 22" high. The preferred method of installation is through a closed or stationary window. Installation in an open window frame is also possible where open window can be secured to outside of building or removed completely.

1. Closed or stationary window: Install unit in stationary sash to avoid crank handles or window latches. If unit is to be installed in or next to a movable sash, it may be necessary to remove catch, handle or both. Remove crank handle and secure window in closed position. Remove glass panes and separating strips to a height sufficient to mount unit.
2. Open window frame: Remove crank mechanism and catch handles. Fold window sash back against exterior wall of building and secure, or remove completely where possible.
3. A filler panel will be required at side of unit when installed in windows having width greater than 15 1/2". Filler panel should be made from 3/4" thick wood securely anchored to one side of opening so that 15 1/2" wide opening is provided. Filler panel should run full length of window. Paint to suit.
4. Install unit in same manner as described for sliding windows.

## Installation in wood sliding or wood casement windows

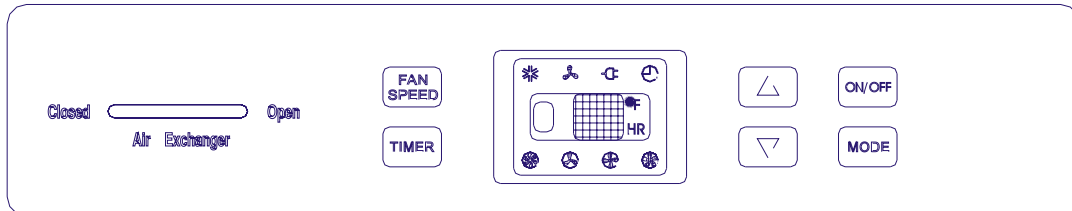
1. For wood frame casement windows, it is necessary to construct a frame, using at least 1" thick wood with a 15 1/2" wide opening.
2. Paint frame and fasten it securely, sealing it into window opening.
3. Install unit into frame following procedures for metal sliding and casement windows.

These installations are also typical, and since styles and sizes of casement windows vary widely, it is advisable to have unit installed by someone skilled in this type of installation. The dealer selling these units can recommend or supply qualified people to install your new unit.

# OPERATING INSTRUCTIONS

## 4.CONTROL PANEL(Only for electronic models)

**Caution:** If air conditioner is shutoff, wait a minimum of three minutes before restarting



### Control Functions

**Air Exchanger:** Circulates fresh air and helps remove stale air when in the open position. Maximum air circulation and cooling occur when in the closed position.

#### ON/OFF button

The air conditioner will be started when it is energized or will be stopped when it is in operation, if you press this button.

#### MODE button

Each time MODE button is pressed, the operation mode is changed in sequence:  
COOLING FAN ONLY ENERGY SAVING COOLING

**NOTE:** After setting the mode, allow 3 minutes before switching to another mode.

#### FAN SPEED button

Used to select fan speed in sequence auto, low, medium and high.

#### TIMER button

Used to set or cancel timer operation.

When the unit is in operation, you can set OFF TIMER. When the unit is off, you can set ON TIMER. Timer setting range is 0 to 24 hours.

If the OFF TIMER is set, the timer LED displays the remaining time to turn off the unit for only 12 seconds, then LED shifts to display set temperature.

If you press TIMER button within the 12 seconds, OFF TIMER will be canceled.

If the ON TIMER is set, the timer LED displays the remaining time to turn on the unit.

If you want to cancel ON TIMER, press TIMER button.

#### ▲ ▼ Button

Used to set room temperature in COOLING mode or used to set time in TIMER mode.

If the two keys are pressed at the same time, the temperature LED display will alternate between °C and °F.

**NOTE:** Temperature setting range is from 19°C (66°F) to 31°C (88°F).

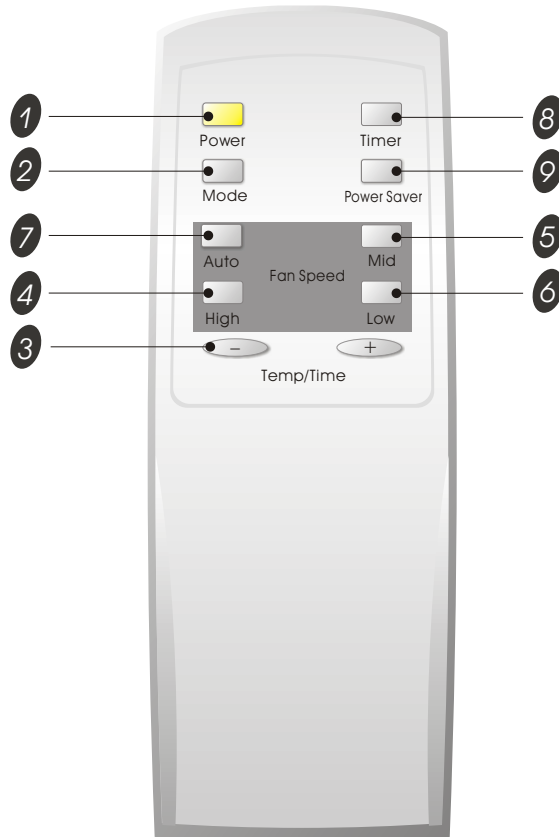
#### Indication symbols of LED on control panel:

|  |                  |  |               |   |
|--|------------------|--|---------------|---|
|  | Auto fan speed   |  | Cooling       | <br>Display set temp<br>Display set timer |
|  | Low fan speed    |  | Fan only      |   |
|  | Medium fan speed |  | Timer         |   |
|  | High fan speed   |  | Energy-saving |   |

The above LED lights are shown when the relevant mode is in use.

# OPERATING INSTRUCTIONS

## ► REMOTE CONTROL



### 1 Power BUTTON

The appliance will be started when it is energized or will be stopped when it is in operation, if you press this button.

### 2 Mode BUTTON

Used to select the operation mode.

### 3 FAN SPEED BUTTONS

Used to set room temperature in COOLING mode or used to set time in Timer mode.

### 4 High BUTTON

Used to select the high fan speed mode.

### 5 Mid BUTTON

Used to select the mid fan speed mode.

### 6 Low BUTTON

Used to select the low fan speed mode.

### 7 Auto BUTTON

Used to select the auto fan speed mode.

### 8 Timer BUTTON

Used to set or cancel timer operation.

### 9 Power Saver BUTTON

Used to select the Energy-saving mode.



- When changing modes during operation, sometimes the unit does not always respond at once. Wait three (3) minutes.

- Wait three (3) minutes before restarting the appliance.

# OPERATING INSTRUCTIONS

## ► REMOTE CONTROL

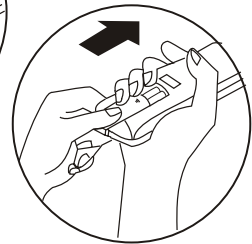
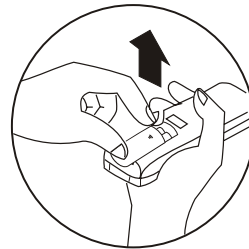
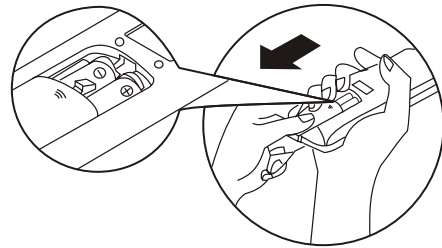
### • How to Insert the Batteries

Remove the battery cover according to the arrow direction. Insert new batteries making sure that the (+) and (-) of battery are matched correctly.

Reattach the cover by sliding it back into position.

#### Note:

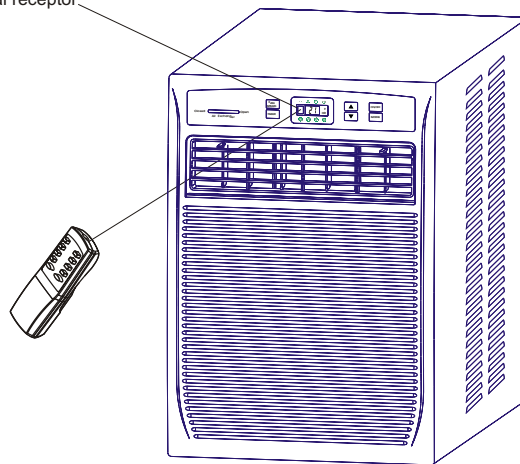
- Use 2 LR6 AA(1.5volt) batteries. Do not use rechargeable batteries. Replace batteries with new ones of the same type when the display becomes dim.
- If the replacement is done within 1 minute, the remote control will keep original presetting. (This function only for LCD remote control)



### • How to Use

To operate the room air conditioner, aim the remote control to the signal receptor. The remote control will operate the air conditioner at a distance of up to 23 feet when pointing at signal receptor of indoor unit.

Signal receptor



# CARE AND MAINTENANCE

When servicing the air conditioner, be sure to turn the mode switch to the "OFF" position and disconnect the power cord from the electrical outlet.

1. **DOT NOT** use gasoline, benzine, thinner or other chemicals on the air conditioner as these substances may cause damage to the paint finish and deformation of plastic parts.
2. Never attempt to pour water directly on the front of the unit as this will cause deterioration of the electrical insulation.

## Cleaning the Air Filter

**NOTE:** Failure to keep the air filter clean will result in poor air circulation. DO NOT operate without a filter. This can render the unit inoperative.

Proper use and care of your air conditioner will help ensure longer life of the unit. It is recommended to annually inspect and clean the coils and condensate water passages. Expense of annual inspection is the consumers' responsibilities.

When the air filter inlet grill and cabinet are dirty, wipe with lukewarm water (below 104°F/ 40° C). Use of mild detergent is recommended.

## Directing airflow

Air conditioner is engineered with adjustable louvers to direct discharge airflow. Louvers are manually adjusted by moving levers in direction of desired airflow.

## Cleaning Air Filter

When the air conditioner is operating, indoor air is filtered and refiltered continuously trapping airborne dirt and dust in the washable filter. Therefore, the filter should be inspected and cleaned weekly.

1. Turn the unit off.
2. Grasp both sides near top of inlet grill and pull forward. Inlet grill will pivot forward to reveal air filter.
3. Remove air filter from tabs.
4. Carefully wash air filter with a mild detergent and warm water. Rinse with clear water, squeeze dry and replace.
5. Replace inlet grill.

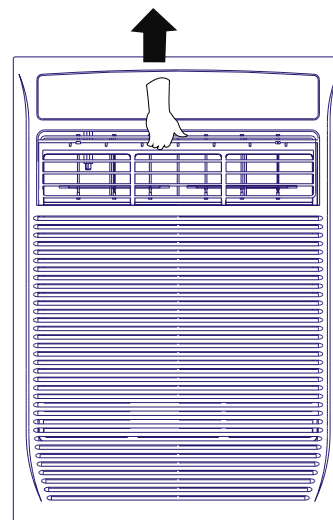
## Air Filter Removal:

The air filter on the above model is located behind the air intake front grill. To remove the air filter, grasp the filter handle (tab) located on the top side of the air inlet grille and slide the air filter to the top. (See the right fig.)

To reinstall the air filter, reverse the above procedure.

## End-of-Season Care

1. Operate the fan alone for half a day to dry out the inside of the unit.
2. Turn off power and remove plug from wall socket.
3. Clean filter.
4. Store in a dry location.



# TROUBLESHOOTING GUIDE

Frequently, a problem is minor and a service call may not be necessary, use this troubleshooting guide for a possible solution.

| PROBLEM                          | POSSIBLE CAUSE  | SUGGESTED SOLUTION  |
|----------------------------------|---|---|
| Air conditioner will not operate | No power to the unit.   | Check connection of power cord to power source.<br>Check fuse or circuit breaker.<br>Set MODE knob to position other than "OFF".  |
| Inefficient or no cooling        | Dirty air filter.<br>Inappropriate capacity for application.<br>Blocked air flow.<br><br>Power interruption, settings change too quickly, or compressor overload tripped. | Clean or replace air filter.<br>Check with dealer to determine proper unit capacity for application.<br>Remove obstruction from grill or outdoor louvers.<br>Let fan run to restart compressor (in approximately 10 minutes). |
| Noisy unit                       | Loose parts.<br>Inadequate support.   | Tighten loose parts.<br>Provide additional support to unit.   |
| Odors                            | Formation of mold, mildew, or algae on wet surfaces.  | Remove drain plug and drain base pan.<br>Replace drain plug.<br>Clean unit thoroughly.  |
| Water dripping outside           | Condensation run-off is normal during hot and humid weather   | Add flexible tubing to redirect water flow.   |
| Water dripping inside            | Unit is not properly angled to allow water to drain outside.  | Unit must be installed on an angle for proper condensation run-off. Check the unit and make adjustments.  |
| Ice or frost build-up            | Low outside temperature.<br><br>Unit air filter is dirty.   | When outdoor temperature is approximately 65°F or below, frost may form when unit is in cooling mode. Switch unit to FAN (only) operation until frost melts.<br>Remove and clean filter.                                      |

**NOTE:**

*If circuit breaker is tripped repeatedly, or fuse is blown more than once, contact a licensed technician.*

# WARRANTY

## 5 YEAR FULL WARRANTY

This product is warranted for 5 years from the date of original purchase. Any part which fails in materials or workmanship will be replaced within the warranty period. This warranty covers in home service. A copy of your proof of purchase, with date of purchase and product name included, is required to arrange this service repair.

For the name and location of an authorized service provider nearest you, please CALL 1-877-465-3566. Please reference product name, brand name, and model number when you call.

This warranty does not apply if the damage occurs because of accident, improper handling or operation, shipping damage, abuse, misuse, unauthorized repairs made or attempted, or the use of the product for commercial use, or any other use for which it was not intended.

ALL WARRANTIES, EXPRESSED OR IMPLIED, LAST FOR 5 YEARS FROM THE DATE OF ORIGINAL PURCHASE. THIS WARRANTY DOES NOT COVER LIABILITY FOR INCIDENTAL OR CONSEQUENTIAL DAMAGES FOR ANY CAUSE WHATSOEVER.

This warranty is extended to the original owner and any succeeding owner for products purchased for home use within the USA. Some states do not allow the exclusion or limitation of incidental or consequential damages. This warranty gives you specific rights, and you may also have other rights which may vary from state to state. To know what your legal rights are, consult your local or state consumer affairs office or your state's Attorney General.

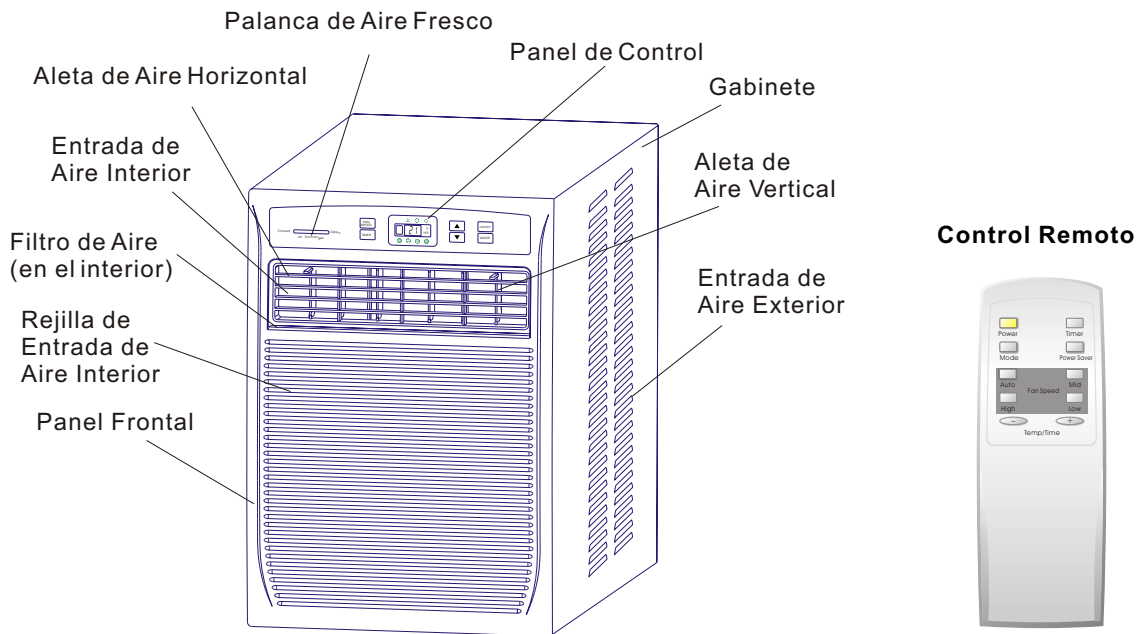


# Introducción

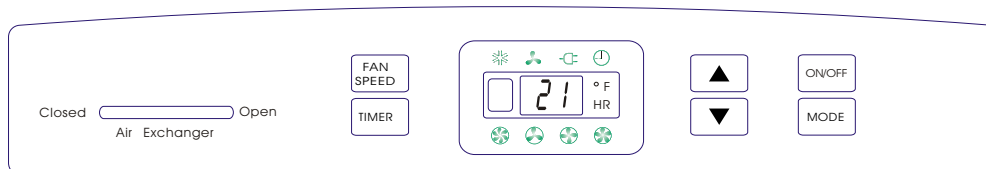
Gracias por elegir este aire acondicionado para enfriar su hogar. Este MANUAL DE USO Y MANTENIMIENTO proporciona la información necesaria para cuidar y mantener en forma adecuada su nuevo aire acondicionado. Funcionará sin problemas durante muchos años si le brinda el mantenimiento apropiado. Para evitar problemas al instalarlo, lea completamente las instrucciones antes de comenzar. Este manual contiene información acerca de la instalación y el funcionamiento del aire acondicionado para habitaciones.

## ► Identificación de las Piezas

### ► Modelo de Remoto controlador



### Panel de Control



#### Nota:

Las imágenes de este manual están basadas en la vista externa de un modelo estándar. En consecuencia, es probable que la forma sea diferente a la del aire acondicionado que usted seleccionó.

# Especificaciones eléctricas

1. Todos los cables deben cumplir con los códigos eléctricos locales y nacionales y los debe instalar un electricista licenciado. Si tiene preguntas relacionadas con las siguientes instrucciones, comuníquese con un electricista licenciado.
2. Verifique el suministro de energía disponible y resuelva cualquier problema con los cables ANTES de instalar y hacer funcionar esta unidad.
3. Para su seguridad y protección, esta unidad está conectada a tierra a través del cable de alimentación cuando se lo enchufa a un tomacorriente de pared provisto de conexión a tierra. Si no está seguro de que el tomacorriente de pared cuenta con la conexión a tierra apropiada, consulte con un electricista licenciado.
4. El tomacorriente de pared (de 3 clavijas) debe coincidir con el enchufe (de 3 clavijas) del cable de alimentación suministrado con la unidad. NO utilice adaptadores de enchufe ni cables de extensión. Consulte la Tabla 1 para obtener información acerca de receptáculos y fusibles.
5. El rótulo de la unidad contiene datos eléctricos y técnicos. Dicho rótulo se encuentra en el lado derecho de la unidad.



## Peligro de Descarga Eléctrica

Si el rótulo del aire acondicionado indica 115 voltios y hasta 7.5 amperios, la unidad se puede conectar a un cortacircuito o fusible utilizado por otros dispositivos. No obstante, la suma de los amperios máximos de todos los dispositivos conectados a dicho cortacircuito o fusible no deben exceder los amperios del mismo.

Si el rótulo del aire acondicionado indica 115 voltios y más de 7.5 amperios, debe tener su propio fusible o cortacircuito y no se deberá conectar ningún otro dispositivo o unidad a dicho fusible o cortacircuito.

Para evitar lesiones físicas, desconecte el suministro de energía de la unidad antes de instalarla o repararla.

### Tipos de Receptáculos y Fusibles


|                                       |   |
|---------------------------------------|---|
| Capacidad de Voltios                  | 125   |
| Amperios                              | 15  |
| Tomacorriente de Pared                |  |
| Tamaño del Fusible                    | 15  |
| Fusible con Retardo (o Cortacircuito) | Tipo de enchufe   |

Tabla 1

# Consejos antes de la instalación

Su unidad de Aire Acondicionado para Habitaciones se ha diseñado para lograr un alto rendimiento y ahorrar energía eléctrica. Siga las siguientes sugerencias para lograr un mayor rendimiento.

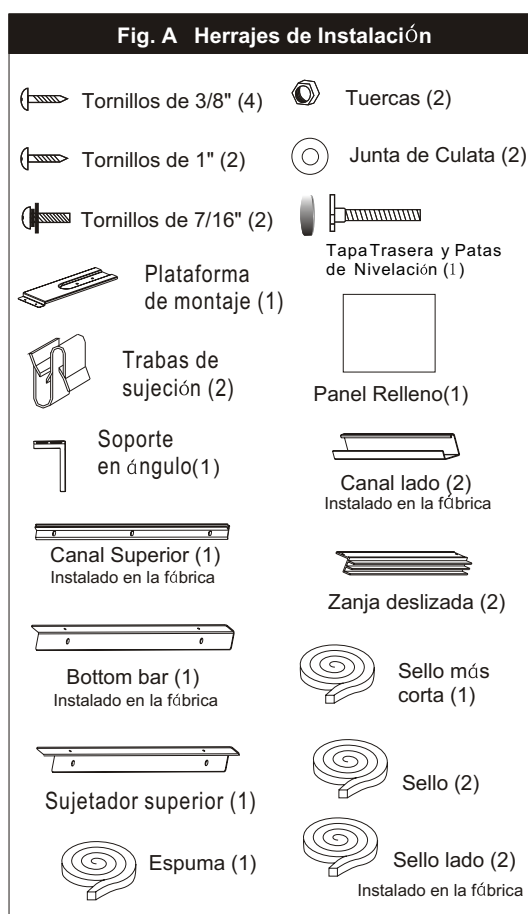
1. Ajuste el termostato a un nivel que le resulte agradable y déjelo en el nivel seleccionado.
2. El filtro de aire es muy eficiente a la hora de eliminar partículas que se desplazan por el aire. Mantenga limpio el filtro de aire. Por lo general, el filtro deberá limpiarse una vez al mes. Es probable que sea necesario limpiarlo con más frecuencia dependiendo de la calidad del aire exterior o interior.
3. Puede utilizar tapices, cortinas o pantallas para evitar que la luz directa del sol caliente su habitación, pero NO obstruya el aire acondicionado. Permita que el aire circule alrededor de la unidad sin obstrucciones.
4. Encienda el aire acondicionado antes de que la temperatura exterior sea demasiado elevada y desagradable. De esta manera evitará sufrir calor mientras la unidad enfría a la habitación.
5. Cuando la temperatura exterior es lo suficientemente fresca, utilice sólo HIGH FAN (ventilador al máximo) o LOW FAN (ventilador al mínimo). Esto hace que el aire interior circule a una temperatura agradable y consume menos energía eléctrica que si hiciera funcionar la unidad como enfriador de aire.

## ⚠ PRECAUCIÓN ⚠

Para evitar problemas durante la instalación o el funcionamiento de la unidad, lea completamente las instrucciones.

El Aire Acondicionado para Habitaciones se ha diseñado de modo tal que resulte fácil su instalación en ventanas verticales (de tipo deslizante). NOTA: esta unidad NO se ha diseñado para ventanas armadas sencillas o dobles.

NOTA: conserve la caja de la unidad y los materiales de empaque para almacenarla o transportarla en el futuro. Antes de instalar la unidad compare el contenido del juego de herrajes con la lista de control del modelo correspondiente. Consulte las siguientes listas (Fig. A).

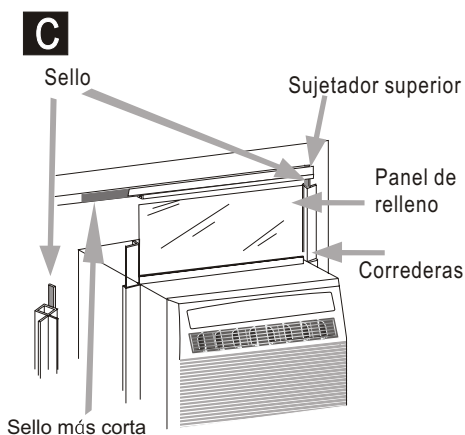
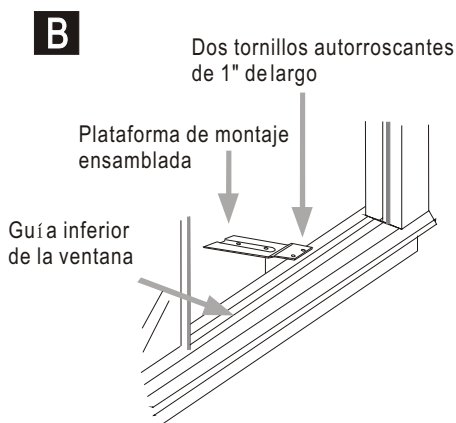
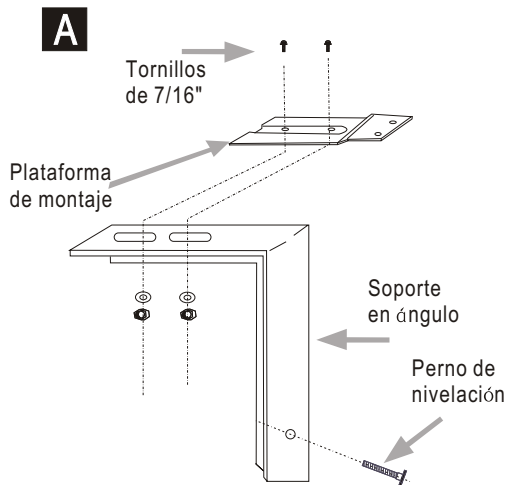


**Nota: Tornillo Excedente Para d Uso de Reserva.**

**Herramientas Necesarias para la Instalación en Ventana:**

**Destornilladores: Philips y de cabeza plana**  
**Taladro eléctrico: broca de 1/8 pulgada de diámetro**  
**Lápiz**  
**Cinta métrica**  
**Tijeras**  
**Nivel de carpintero**

# Instrucciones de Instalación



**La instalación mencionada debe ser permanente y si se realiza en un apartamento o en una propiedad de alquiler, antes de instalar la unidad deber solicitar permiso a los propietarios o encargados del edificio para realizar las modificaciones mencionadas.**

## Instalación en Ventanas Deslizantes de Metal

1. Escoja el lugar de instalación. Es imprescindible que el montaje en el marco de la ventana y el costado de la estructura estén ensamblados correctamente de modo que puedan sostener el peso de la unidad. Refuerce los si es necesario.
2. Deslice una hoja de la ventana para abrirla e instale la plataforma de montaje.
3. Sujete el soporte en ángulo a la parte inferior de la plataforma de montaje con dos tornillos de 7/16" de largo, junta de culata y tuercas, pero no los apriete (vea la Fig. A).
4. Coloque la plataforma de montaje contra la guía inferior de la ventana y el borde vertical del marco de la ventana.
5. Sujete al umbral de la ventana con dos tornillos autorroscantes de 1" de largo. Para corregir la interferencia de la plataforma de montaje con la guía de la ventana o la ventana resistente a huracanes, sujete firmemente un listón de compensación de 2" de ancho al umbral de la ventana. El listón debe tener un largo igual al ancho de la plataforma de montaje y estar alineado con el borde posterior del umbral. El grosor del listón debe depender de la cantidad de interferencia (vea la Fig. B).
6. Jale el soporte en ángulo hacia la parte exterior de la estructura. Apriete dos tornillos de 7/16" de largo en la parte superior de la plataforma de montaje.
7. Ajuste el perno de nivelación de modo que el soporte en ángulo quede nivelado. Esto permitirá que quede bien apoyado. Apriete la tuerca del perno de nivelación.

**Importante: la unidad debe estar a nivel o levemente inclinada hacia atrás para permitir la descarga adecuada de la condensación de la humedad del aire.**

**Precaución: no perfora la bandeja inferior. La unidad tiene un diseño que le permite funcionar con aproximadamente 1/2" de agua en la bandeja inferior.**

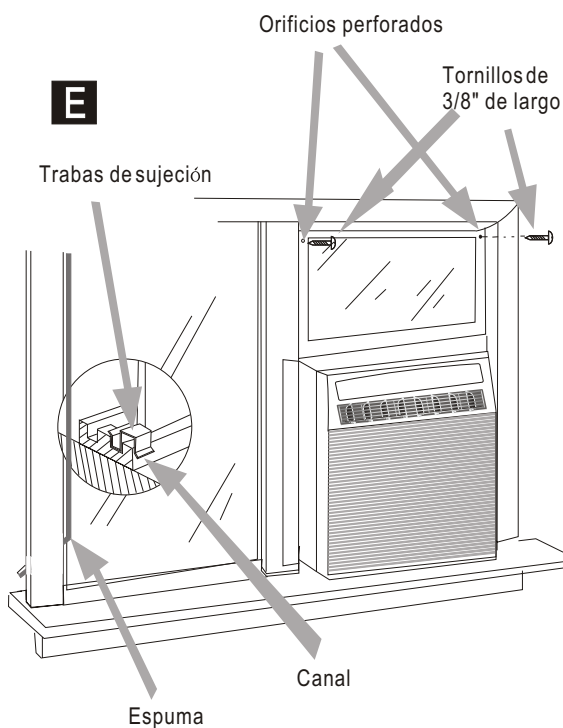
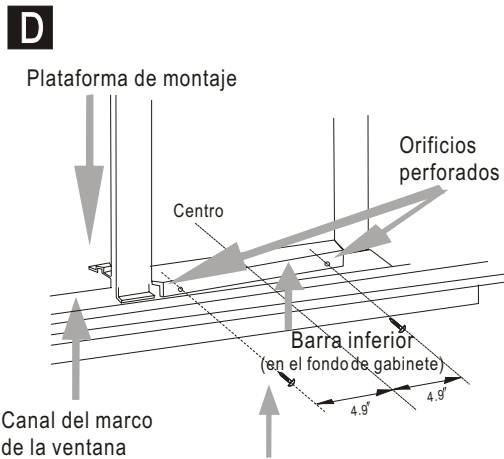
8. Corte dos pedazos de sello iguales a la altura de la ventana. Quite el revestimiento y aplíquelas a los bordes interiores verticales del marco de la ventana y a la hoja de la ventana deslizante que quedará apoyada contra la unidad (vea la Fig. C).
9. Coloque la unidad sobre la plataforma de montaje. Asegúrese de que los canales laterales de la unidad hagan tope con el borde vertical del marco de la ventana.

**Nota: si el canal lateral de la unidad no queda firme, extrígala y vuelva a ajustar al perno de nivelación.**

10. Haga dos orificios de 1/8" en el canal del marco de la ventana alineados con los orificios de la barra inferior. En estos orificios coloque dos tornillos autorroscantes de 3/8" de largo. Si el canal del marco de la ventana no es lo suficientemente alto como para utilizar los orificios existentes, haga orificios nuevos al lado de los existentes para sujetar la barra inferior de la unidad a la plataforma de montaje. La unidad deberá quedar firmemente asegurada al canal del marco de la ventana o a la plataforma de montaje (vea la Fig. D).

11. Deslice la hoja interna de la ventana para cerrarla. Asegúrese de que el borde vertical de la hoja interna de la ventana haya quedado firmemente presionado contra el costado del gabinete de la unidad. Corte el sello restante igual al ancho de la abertura de la ventana. Quite el revestimiento y aplíquela al borde superior interno del marco de la ventana (vea la Fig. C).

# Instrucciones de Instalación



**Precaución: no obstruya la circulación de aire por las persianas externas del gabinete.**

12. Instale las trabas de sujeción en los bordes superior e inferior del interior de la ventana para asegurarla. (Vea la Fig. E)
13. Corte la espuma suministrada del largo necesario e insértela entre la hoja de ventana interior y el exterior de la ventana (Vea la Fig. E).
14. Coloque el sujetador superior en el borde superior del panel del filtro, luego coloque el borde inferior del panel de relleno en la ranura inferior (montada en la unidad). El panel de relleno se puede cortar con cuchillo o tijera para adaptarlo a la altura de la ventana (Vea la Fig. C).
15. Deslice las correderas hacia arriba y asegúrese de que el panel de relleno esté alineado en las correderas.
16. Una vez que las correderas estén contra el sujetador superior, haga un orificio de 1/8" en el marco de la ventana alineado con el orificio existente en la corredera. Coloque un tornillo autorroscante de 3/8" de largo en el orificio. Haga lo mismo con la otra corredera.
17. Verifique todos los sellos y tape toda pérdida de aire alrededor de la unidad. Utilice el sellador suministrado para tapar todo hueco pequeño.

## Instalación en Ventanas de Hoja Batiente de Metal

Este aire acondicionado tiene un diseño que facilita su colocación en la mayoría de las ventanas de hoja batiente. Tal como se la envía de fábrica, la unidad puede colocarse en una abertura de ventana de 15 1/2" de ancho y 22" de alto como mínimo. Es preferible instalarla en una ventana cerrada o estacionaria. También se puede instalar en un marco de ventana abierta siempre que ésta pueda sujetarse al exterior del edificio o extraerse por completo.

1. Ventana cerrada o estacionaria: Instale la unidad en una hoja de ventana estacionaria para evitar manijas o cerrojos de ventana. Si la unidad se instalará en una hoja de ventana móvil o junto a ella, es posible que sea necesario extraer el pasador, la manija o ambos. Quite la manivela y deje la ventana cerrada. Quite las hojas de vidrio y los listones de separación de modo que quede suficiente altura como para montar la unidad.
2. Abra el marco de la ventana, quite la manivela y los pasadores. Pliegue la hoja de la ventana hacia atrás contra la pared externa del edificio y asegúrela, o si es posible quítela completamente.
3. Será necesario colocar un panel de relleno al costado de la unidad cuando se la instale en ventanas de un ancho superior a 15 1/2". Dicho panel deberá ser de madera, tener un espesor de 3/4" y estar asegurado a un costado de la abertura de modo que quede una abertura de 15 1/2" de ancho. El panel de relleno deberá abarcar el largo total de la ventana. Píntelo del color correspondiente.
4. Instale la unidad tal como se ha descrito en la sección de Instalación en Ventanas Deslizantes de Metal antes descrita.

## Instalación en Ventanas de Madera (Deslizantes o de Hoja Batiente).

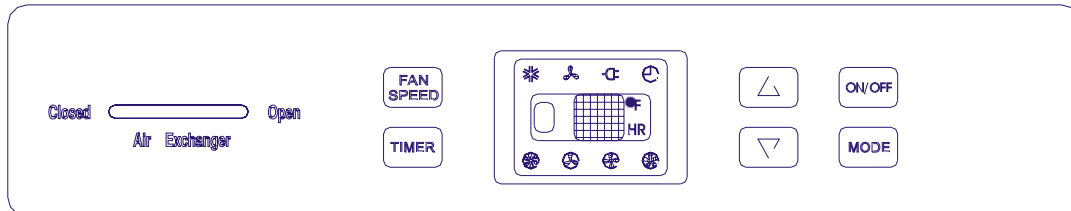
1. En ventanas de hoja batiente de madera es necesario construir un marco de madera de por lo menos 1" de espesor con una abertura de 15 1/2" de ancho.
  2. Pinte el marco y sujételo firmemente. Séllelo a la abertura de la ventana.
  3. Instale la unidad en el marco siguiendo los procedimientos para ventanas de metal (deslizantes o de hoja batiente).
- Estas instalaciones también son comunes, y debido a que los estilos y tamaños de las ventanas de hoja batiente son tan variados, le recomendamos que busque a una persona calificada para realizar este tipo de instalación. El representante que vende estas unidades puede recomendar o proporcionar personal capacitado para instalarlas.

# Instrucciones de Operación

Este aire acondicionado se puede operar fácilmente con los botones del panel de control así como también con el control remoto.

**Precaución:** Espere tres minutos antes de volver a comenzar

## Panel de Control



## Funciones del Control

**Intercambiador de Aire:** cuando está abierto hace que circule el aire fresco y elimina el aire viciado. El máximo enfriamiento y circulación de aire se producen cuando está cerrado.

**Botón ON/OFF** (Encendido/Apagado)

Si presiona este botón, encenderá el aire acondicionado (o lo apagará si está en funcionamiento).

**Botón MODE** (Modo)

Cada vez que se presiona el botón MODE, el modo de operación cambia en estas secuencias: COOLING (Enfriamiento) → FAN ONLY (Solo ventilador) → ENERGY SAVING (Ahorro de Energía) → COOLING (Enfriamiento)

**NOTA:** Después de seleccionar un nivel, espere 3 minutos antes de pasar a otro.

**Botón FAN SPEED** (Velocidad del Ventilador)

Se utiliza para seleccionar la velocidad del ventilador en secuencia: automática, baja, media y alta.

**Botón TIMER** (Temporizador)

Se utiliza para programar o cancelar el funcionamiento del temporizador.

Cuando la unidad está en funcionamiento, puede seleccionar OFF TIMER (Apagar Temporizador).

Cuando la unidad está apagada, puede seleccionar ON TIMER (Encender Temporizador).

El rango de horas para programar el temporizador es de 0 a 24 horas.

Si selecciona OFF TIMER, la pantalla del temporizador indicará durante 12 segundos el tiempo restante para el apagado de la unidad y luego indicará la temperatura fijada.

Si presiona el botón TIMER dentro de esos 12 segundos, se desactivará la función OFF TIMER.

Si selecciona ON TIMER, la pantalla del temporizador indicará el tiempo restante para el encendido de la unidad. Si desea cancelar la función ON TIMER, presione el botón TIMER.

**Botón ▲ ▼**

En modo COOLING se utiliza para fijar la temperatura ambiente y en modo TIMER para programar la hora. Si se presionan las dos teclas a la vez, el indicador de temperatura alternará entre °C y °F.

**NOTA:** el rango de temperaturas oscila entre 19°C (66°F) y 31°C (88°F).

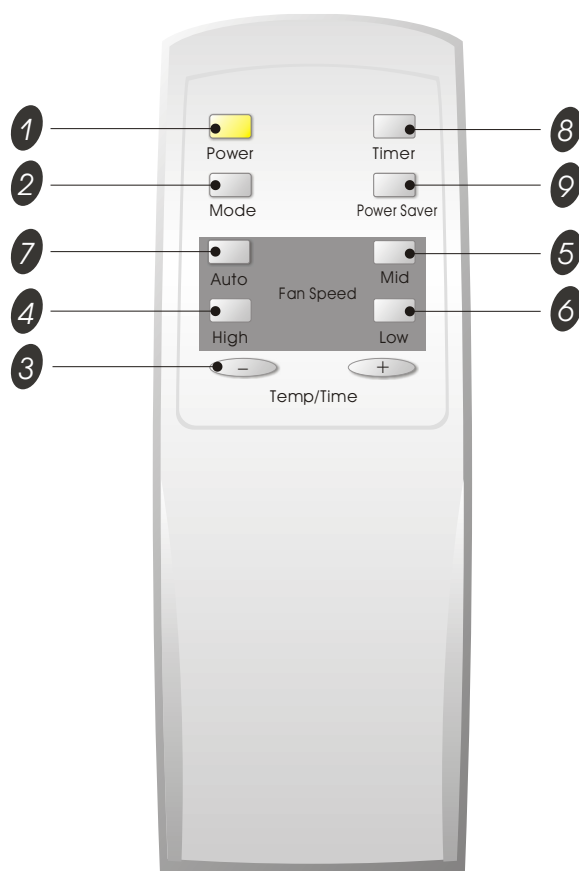
## Símbolos del indicador del panel del control:

|                                    |                   |                            |
|------------------------------------|-------------------|----------------------------|
|                                    |                   |                            |
| Ventilador en velocidad automática | Enfriamiento      | Mostrar temperatura fijada |
|                                    |                   | Mostrar hora programada    |
| Ventilador en velocidad baja       | Sólo ventilador   |                            |
|                                    |                   |                            |
| Ventilador en velocidad media      | Temporizador      |                            |
|                                    |                   |                            |
| Ventilador en velocidad alta       | Ahorro de energía |                            |

Las luces del indicador LED anteriormente mencionadas se encienden cuando se usan los modos correspondientes.

# Instrucciones de Operación

## ► Control remoto



### 1 Botón Power (Encendido/Apagado)

El aparato se encenderá si está apagado o apagará cuando está en operación, si oprime este botón.

### 2 Botón Mode (Modo)

Utilice este botón para seleccionar el modo de operación.

### 3 Botón + -

Botones de ajuste de temperatura oprima para ajustar la temperatura del cuarto. oprima para programar la hora.

### 4 Botón High

Para ajustar el modo alta velocidad de ventilador.

### 5 Botón Mid

Para ajustar el modo mediana velocidad de ventilador.

### 6 Botón Low

Para ajustar el modo baja velocidad de ventilador.

### 7 Botón Auto

Para ajustar el modo auto velocidad de ventilador.

### 8 Botón Timer (Temporizador)

Para poner o cancelar la operación de timer.

### 9 Botón Power Saver

Para ajustar el modo de energía-ahorro.



- Después de seleccionar un nivel, espere 3 minutos antes de pasar a otro.
- Espere 3 minutos antes de recomenzar el aparato.



# Instrucciones de Operación

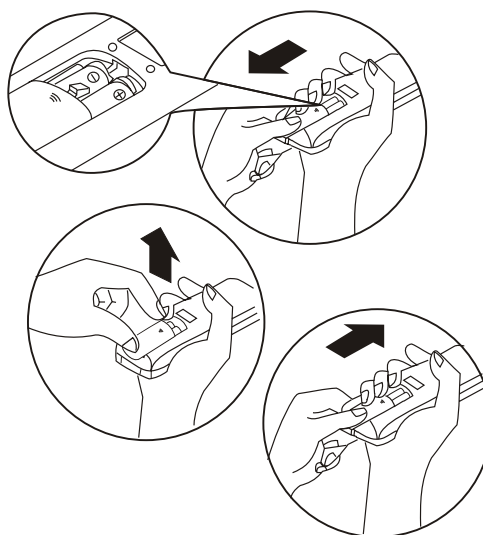
## ► Control remoto

### ● Colocaión de las pilas

Retire la tapa de las en el sentido de la flecha.  
Introduzca las pilas nuevas, con cuidado de que coincidan los polos (+) y (-).  
Vuelva a instalar la tapa, deslizándola otra vez a su posición.

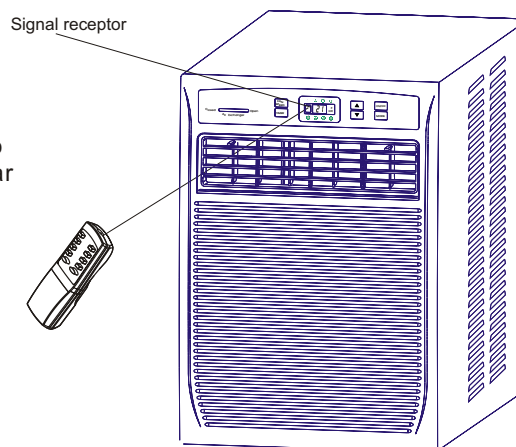
**Nota:**

- **Utilice pilas 2 LR6 AA (1.5V). No utilice pilas recargables. Sustituya las pilas por otras nuevas del mismo tipo cuando la pantalla aparezca atenuada.**
- **Si la sustitución se realiza en el plazo de 1 minuto, el mando a distancia conservará los valores prefijados ordinales (Esta función es sólo para controlador remoto de LCD).**



### ● C cómo use

Para operar el aire acondicionado, apunte el controlador remoto la señal del receptor.  
El controlador remoto se usa para operar el aire acondicionado con una distancia hasta 23 pies cuando apunta a la señal del receptor de la unidad.





# Cuidado y Mantenimiento

Cuando repare el aire acondicionado, asegúrese de colocar la perilla de modo en OFF y luego desconectar el cable de alimentación del tomacorriente eléctrico.

1. **NO** utilice gasolina, bencina, disolvente u otros productos químicos en el aire acondicionado, ya que estas sustancias pueden dañar el acabado de pinturas y deformar las piezas de plástico.
2. Nunca derrame agua directamente en el frente de la unidad ya que dañaría el aislamiento eléctrico.

## Limpeza del Filtro de Aire

NOTA: Si no mantiene limpio el filtro de aire la circulación de aire será escasa. NO haga funcionar la unidad sin el filtro. Es posible que se descomponga.

Si usa y mantiene el aire acondicionado en forma adecuada prolongará la vida útil de la unidad. Le recomendamos inspeccionar y limpiar anualmente las serpentinas y los conductos de agua de condensación. El costo de la inspección anual corre por cuenta del consumidor.

Si la rejilla de entrada de aire y el gabinete se ensucian, límpielos con agua templada (por debajo de los 104°F / 40°C). Se recomienda el uso de un detergente suave.

## Dirección del flujo de aire

El aire acondicionado está equipado con persianas regulables que controlan la dirección del flujo de aire. Estas persianas se regulan manualmente mediante palancas que se mueven en la dirección deseada para que circule el aire.

## Cómo Limpiar el Filtro de Aire

Cuando el aire acondicionado está en funcionamiento, el aire interior se filtra constantemente y atrapa en el filtro lavable el polvo suspendido en el aire. Por lo tanto, el filtro deberá inspeccionarse y limpiarse una vez por mes..

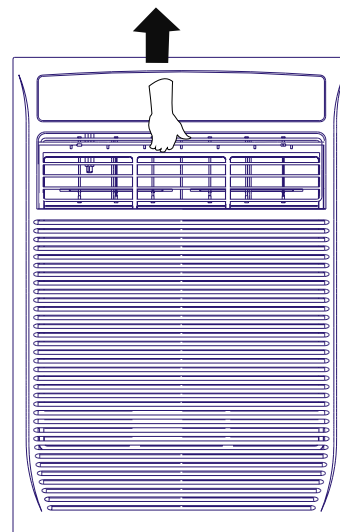
1. Apague la unidad.
2. Tome ambos lados cerca de la parte superior de la rejilla de entrada de aire y jale hacia adelante. La rejilla de entrada de aire girará hacia adelante y dejará ver el filtro de aire.
3. Quite el filtro de aire de las lengüetas.
4. Lávelo con cuidado con agua tibia y un detergente suave. Enjuáguelo con agua limpia, séquelo y vuelva a colocarlo.
5. Vuelva a colocar la rejilla de entrada de aire.

## Cómo Quitar el Filtro de Aire:

El filtro de aire de este modelo se encuentra detrás de la rejilla delantera de entrada de aire. Para quitarlo, tome el mango (lengüeta) del filtro, ubicado en la parte superior de la rejilla de entrada de aire y deslícelo hacia arriba (vea la figura a la derecha). Para volver a instalarlo realice el mismo procedimiento a la inversa.

## Cuidado de Fin de Temporada

1. Haga funcionar el ventilador durante medio día para que se seque el interior de la unidad.
2. Apáguelo y desenchúfelo del tomacorriente de pared.
3. Limpie el filtro.
4. Almacénelo en un lugar seco.



# Guía para la Solución de Problemas

Generalmente los problemas son sencillos y es probable que no sea necesario llamar a un técnico. Esta guía puede ayudarlo a resolverlos.

| PROBLEMA                          | CAUSA POSIBLE  | SOLUCIÓN SUGERIDA   |
|-----------------------------------|--|---|
| El aire acondicionado no funciona | La unidad no recibe suministro eléctrico.  | Verifique si el cable de alimentación está conectado al tomacorriente.<br>Verifique el fusible o el cortacircuito.<br>Fije el FAN CONTROL (control del ventilador) en una posición que no sea OFF.  |
| Enfría poco o nada                | Filtro de aire sucio.<br>Capacidad inadecuada para la aplicación.<br>Flujo de aire obstruido.<br>Corte de energía eléctrica, se cambió de nivel demasiado rápido o se disparó el interruptor por sobrecarga del compresor. | Limpie o reemplace el filtro de aire.<br>Hable con el representante para determinar cuál es la capacidad adecuada para la aplicación.<br>Quite toda obstrucción de la rejilla o de las persianas exteriores.<br>Haga funcionar el ventilador para reiniciar el compresor (en aproximadamente 10 minutos). |
| Unidad ruidosa                    | Piezas sueltas.<br>Soporte inadecuado.   | Ajuste las piezas sueltas.<br>Proporcione soporte adicional a la unidad.  |
| Olores                            | Formación de moho u hongos sobre las superficies húmedas.  | Quite el tapón de drenaje y la bandeja base.<br>Cambie el tapón de drenaje.<br>Limpie la unidad en forma completa.  |
| Gotea agua afuera                 | Es normal la descarga de condensación cuando el clima es cálido y húmedo.  | Utilice tuberías flexibles para desviar el flujo de agua.   |
| Gotea agua adentro                | La unidad no está bien inclinada como para permitir el desagüe externo.  | La unidad debe instalarse con un ligero desnivel para permitir una descarga adecuada de la condensación. Verifique la unidad y realice los ajustes necesarios.  |
| Se forma hielo o escarcha         | Baja temperatura exterior.<br><br>El filtro de aire de la unidad está sucio.   | Cuando la temperatura exterior sea inferior a los 65°F es posible que se forme escarcha si la unidad funciona en modo de enfriamiento. Cambie el funcionamiento de la unidad a FAN (solamente) hasta que la escarcha se derrita.<br><br>Quite el filtro y límpielo.                                       |

## NOTA:

Si el cortacircuito interrumpe la corriente varias veces o el fusible se quema más de una vez, comuníquese con un técnico licenciado.

# Garantía

## **GARANTÍA COMPLETA DE 5 AÑOS**

Este producto se garantiza por 5 años a partir de la fecha de la compra original. Cualquier parte que falle en materiales o la ejecución será substituida dentro del período de la garantía. Esta garantía incluye servicio a domicilio. Una copia de su prueba de la compra, con la fecha de la compra del producto incluida, se requiere para acordar esta reparación del servicio.

Para el nombre y la localización de un prestador de servicio autorizado lo más cerca posible a usted, llame por favor al 1-877-465-3566. Refiérase por favor al nombre del producto, a la marca, y al número de modelo cuando usted llama.

Esta garantía no se aplica si el daño ocurre debido a accidente, manejo u operación incorrectos, daños de transporte, abuso, uso erróneo, reparación no autorizada, el uso comercial del producto u otro uso para el cual no fuera pensado.

**TODAS LAS GARANTÍAS, EXPRESADAS O IMPLICADAS, DURAN POR 5 AÑOS A PARTIR DE LA FECHA DE LA COMPRA ORIGINAL. ESTA GARANTÍA NO CUBRE LA RESPONSABILIDAD POR LOS DAÑOS FORTUITOS O CONSECUENTES PARA CUALESQUIER CAUSA EN NINGUN CASO.**

Esta garantía se extiende al dueño original y a cualquier dueño subsiguiente para los productos comprados para el uso casero dentro de los E.E.U.U.. Algunos estados no permiten la exclusión o la limitación de daños fortuitos o consecuentes. Esta garantía le da los derechos específicos, y usted puede también tener otros derechos que puedan variar de estado a estado. Para saber cuáles son, sus derechos legales consulte a su oficina local del consumidor o a la procuraduría de su estado.

# Admiral®

© 2005 **Admiral**®, Kelon Air Conditioner Co., and Kelon USA, Inc. All rights reserved.

Printed in China

## Free Manuals Download Website

<http://myh66.com>

<http://usermanuals.us>

<http://www.somanuals.com>

<http://www.4manuals.cc>

<http://www.manual-lib.com>

<http://www.404manual.com>

<http://www.luxmanual.com>

<http://aubethermostatmanual.com>

Golf course search by state

<http://golfingnear.com>

Email search by domain

<http://emailbydomain.com>

Auto manuals search

<http://auto.somanuals.com>

TV manuals search

<http://tv.somanuals.com>