



AEROMIST
COM

Model # 67014

14" Dual Head Air Circulator

OWNER'S MANUAL



Indoor/Outdoor Fan

READ & SAVE THESE INSTRUCTIONS

Safety Rules.....	1
Unpacking Your Fan.....	2
Installing Your Fan.....	3
Troubleshooting.....	8
Specification.....	9

Table of Contents

READ AND SAVE THESE INSTRUCTIONS

1. To reduce the risk of electric shock, insure electricity has been turned off at the circuit breaker or fuse box before beginning.
2. All wiring must be in accordance with the National Electrical Code (ANSI / NFPA 70-1999) and local electrical codes. Electrical installation should be performed by a qualified licensed electrician.
3. WARNING: To reduce the risk of electrical shock and fire, do not use this fan with any solid-state fan speed control device.
4. CAUTION: To reduce the risk of personal injury, use only the screws provided with the outlet box.
5. The outlet box and support structure must be securely mounted and capable of reliably supporting a minimum of 35 pounds. Use only UL Listed outlet boxes marked "FOR FAN SUPPORT."
6. The fan must be mounted with a **minimum of 7 feet clearance** from the trailing edge of the blades to the floor.
7. Avoid placing objects in the path of the blades.
8. To avoid personal injury or damage to the fan and other items, be cautious when working around or cleaning the fan.
9. Do not use water or detergents when cleaning the fan or fan blades. A dry dust cloth or lightly dampened cloth will be suitable for most cleaning.
10. After making electrical connections, spliced conductors should be turned upward and pushed carefully up into outlet box. The wires should be spread apart with the grounded conductor and the equipment-grounding conductor on one side of the outlet box.
11. Electrical diagrams are for reference only. Light kits that are not packed with the fan must be UL Listed and marked suitable for use with the model fan you are installing. Switches must be UL General Use Switches. Refer to the instructions packaged with the light kits and switches for proper assembly. Use 2 x 14 W CFL bulbs max.
12. This fan is suitable for outdoor use. Use only on GFCI protected receptacles as a outdoor fan.

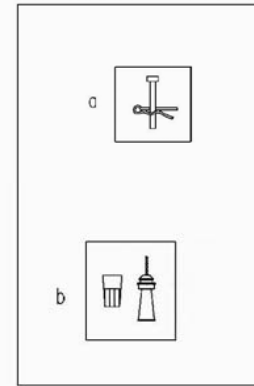
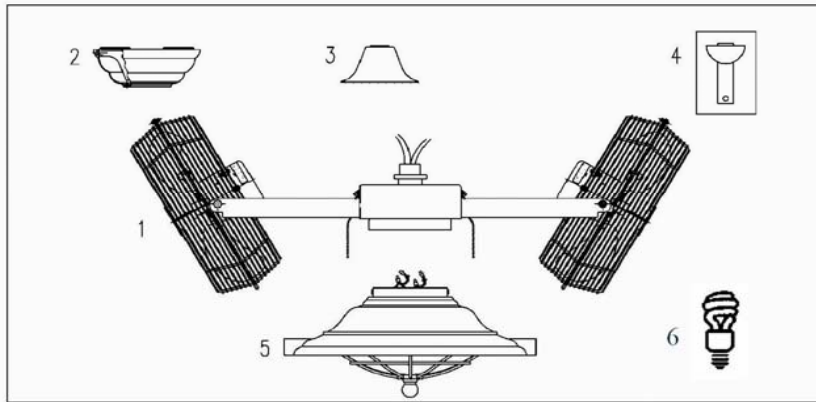
WARNING

TO REDUCE THE RISK OF FIRE, ELECTRIC SHOCK OR PERSONAL INJURY, MOUNT FAN TO OUTLET BOX MARKED ACCEPTABLE FOR FAN SUPPORT WITH THE SCREWS PROVIDED WITH THE OUTLET BOX.

WARNING

TO REDUCE THE RISK OF PERSONAL INJURY, DO NOT BEND THE BLADE BRACKETS (ALSO REFERRED TO AS "FLANGES") DURING ASSEMBLY OR AFTER INSTALLATION. DO NOT INSERT OBJECTS IN THE PATH OF THE BLADES.

1. Safety Rules



Unpack your fan and check the contents. You should have the following items:

- 1. Fan Motor Assembly
- 2. Canopy
- 3. Coupling Cover
- 4. Standard Downrod Assembly
- 5. Light kit
- 6. Bulb (2)

a) Mounting hardware

(1 bolt, 1 clevis pin)

b) Electrical hardware

(3 plastic wire connectors, 2 pull chain for the fan, 1 pull chain for the light kit) .

Unpacking Your Fan 2.

Tools Required

Phillips screw driver, straight slot screw driver, adjustable wrench, step ladder, and wire cutters.

Mounting Options

If there isn't an existing mounting box, then read the following instructions. Disconnect the power by removing fuses or turning off circuit breakers.

Secure the outlet box directly to the building structure. Use appropriate fasteners and building materials. The outlet box and its support must be able to fully support the moving weight of the fan (at least 35 lbs.). Do not use plastic outlet boxes.

WARNING
TO REDUCE THE RISK OF FIRE, ELECTRIC SHOCK, OR OTHER PERSONAL INJURY, MOUNT FAN ONLY TO AN OUTLET BOX MARKED ACCEPTABLE FOR FAN SUPPORT AND USE THE MOUNTING SCREWS PROVIDED WITH THE OUTLET BOX. OUTLET BOXES COMMONLY USED FOR THE SUPPORT OF LIGHTING FIXTURES MAY NOT BE ACCEPTABLE FOR FAN SUPPORT AND MAY NEED TO BE REPLACED. CONSULT A QUALIFIED ELECTRICIAN IF IN DOUBT.

Figures 1 and 2 are examples of different ways to mount the outlet box.

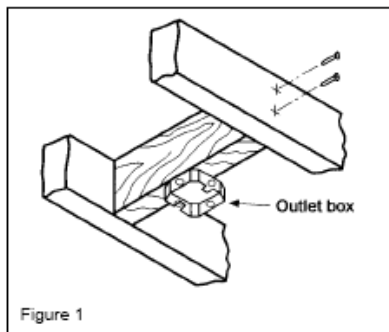


Figure 1

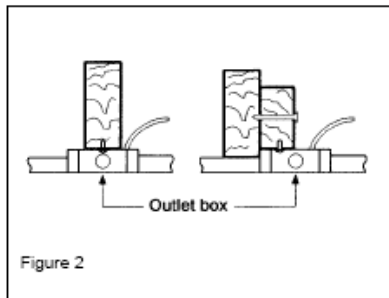


Figure 2

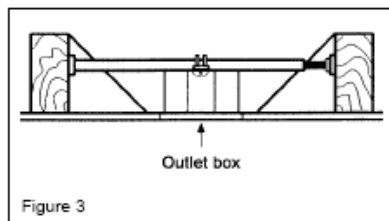


Figure 3

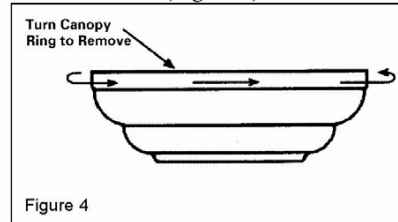
To hang your fan where there is an existing fixture but no ceiling joist, you may need an installation hanger bar as shown in Figure 3.

3. Installing Your Fan

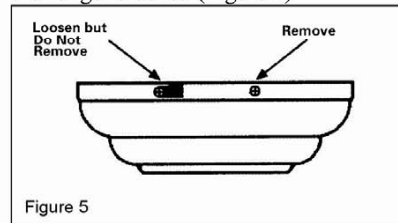
Hanging the Fan

STANDARD CEILING MOUNTING

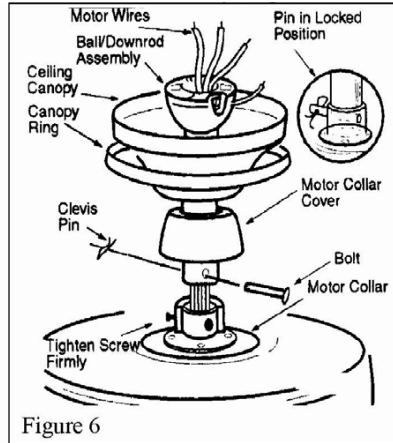
1. Remove the canopy ring from the canopy by turning the ring to the right until it unlocks. (Figure 4)



2. Remove the hanger bracket from the canopy by loosening the four screws on the top of the canopy. Remove the two non-slotted screws and loosen the slotted screws. This will enable you to remove the hanger bracket. (Figure 5)



3. Route the wires exiting the fan motor through the motor collar cover, then the canopy ring. Make sure the slot openings are on top. Route the wires through the canopy and then through the ball/downrod assembly. (Figure 6)



4. Loosen, but do not remove, the 2 set screws on the collar on the top of the center housing.

5. Align the holes at the bottom of the downrod with holes in the collar on top of the motor housing (Figure 6). Carefully insert the bolt through the holes in the

collar and downrod. Be careful not to jam the bolt against the wiring inside the downrod. Insert clevis pin and bend to ensure security, as noted in the circle inset of Figure 6.

6. Tighten the two screws on top of the fan motor firmly and slide down the motor collar cover.

WARNING
FAILURE TO PROPERLY INSTALL LOCKING PIN AS NOTED IN STEP 5 COULD RESULT IN FAN LOOSENING AND POSSIBLY FALLING.

CFL

Installing Fan to the Electrical Box

1. Pass the 120-volt supply wires through the center hole in the ceiling mounting plate as shown in Figure 7.
2. Install the ceiling mounting plate on the electrical box by mounting screws provided with the outlet box. Note that the flat side of the mounting plate is toward the electrical box (Figure 7).
3. Securely tighten the two mounting screws.
4. Carefully lift the fan assembly up to the ceiling mounting plate and hang the fan on the hook provided by utilizing one of the holes at the outer rim of the ceiling canopy (Figure 7). Seat the hanger ball in canopy. Make sure the tab in the ring at the bottom of the canopy is properly seated in the groove in the hanger ball (Figure 8).

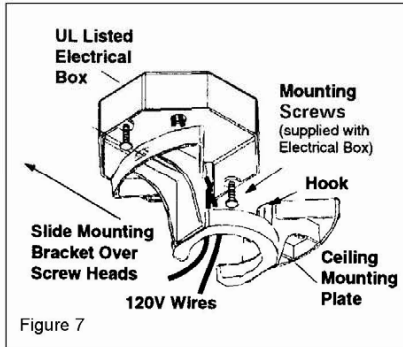


Figure 7

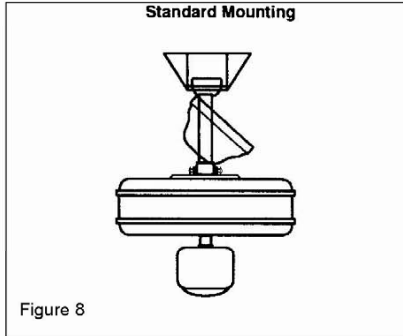


Figure 8

WARNING
THE HOOK AS SHOWN IN FIGURE 7 IS ONLY TO BALANCE FAN WHILE ATTACHING WIRING. FAILURE TO HANG AS SHOWN IN FIGURE 8 MAY RESULT IN HOOK BREAKING CAUSING THE FAN TO FALL. HOOK MUST PASS FROM INSIDE TO OUTSIDE OF CANOPY.

WARNING
WHEN USING THE STANDARD BALL/HANGER PIPE MOUNTING, THE TAB IN THE RING AT THE BOTTOM OF THE MOUNTING PLATE MUST REST IN THE GROOVE OF THE HANGER BALL. FAILURE TO PROPERLY SEAT THE TAB IN THE GROOVE COULD CAUSE DAMAGE TO WIRING.

WARNING
TO REDUCE THE RISK OF FIRE OR
ELECTRIC SHOCK, DO NOT USE A SOLID
STATE SPEED CONTROL WITH THIS FAN. IT
WILL PERMANENTLY DAMAGE THE
ELECTRONIC CIRCUITRY

Making the Electrical Connections

REMEMBER to disconnect the power. If you feel that you do not have enough electrical wiring knowledge or experience, have your fan installed by a licensed electrician.

Follow the steps below to connect the fan to your household wiring. Use the wire connecting nuts supplied with your fan. Secure the connectors with electrical tape. Make sure there are no loose strands or connections.

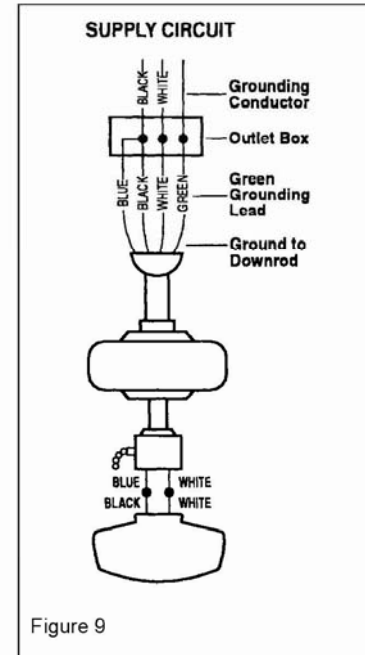
1. Connect the ground conductor of the 120v supply (this may be a bare wire or a wire with green colored insulation) to the green ground lead(s) of the fan (Fig. 9). There are 3 green grounding leads; one from the ceiling mounting bracket and one from the ball/downrod assembly and one from motor assembly.
2. Connect the fan motor white wire to the supply white (neutral) wire using a wire nut (Fig. 9).
3. Connect the fan motor black wire to

the supply black (hot) wire using a wire nut (Fig. 9).

4. Connect the blue wire for the light kit to the black household supply wire.
5. Connect the three green wires to the grounding lead wire.
6. Turn wire nut connections upward, spreading them apart so the green (ground) and white wires will be on one side of the outlet box and the black and blue wires will be on the other side, and push into the outlet box.

WARNING
CHECK TO SEE THAT ALL CONNECTIONS ARE TIGHT, INCLUDING GROUND, AND THAT NO BARE WIRE IS VISIBLE AT THE WIRE NUTS, EXCEPT FOR THE GROUND WIRE.

WARNING
ELECTRICAL DIAGRAMS ARE FOR REFERENCE ONLY. OPTIONAL USE OF ANY LIGHT KIT SHALL BE UL LISTED AND MARKED SUITABLE FOR USE WITH THIS FAN.



Finishing the Fan Installation

STANDARD CEILING MOUNTING

WARNING
WHEN USING THE STANDARD BALL/DOWNROD MOUNTING, THE TAB IN THE RING AT THE BOTTOM OF THE MOUNTING PLATE MUST REST IN THE GROOVE OF THE HANGER BALL. FAILURE TO PROPERLY SEAT THE TAB IN THE GROOVE COULD CAUSE DAMAGE TO WIRING.

1. Align the locking slots of the ceiling canopy with the two screws in the mounting plate. Push up to engage the slots and turn clockwise to lock in place. Immediately tighten the two mounting screws firmly.
2. Install the remaining two mounting screws into the holes in the canopy and tighten firmly.
3. Install the decorative canopy ring by aligning the ring's slots with the screws in the canopy. Rotate the ring clockwise to lock in place.

Installing the Bulb

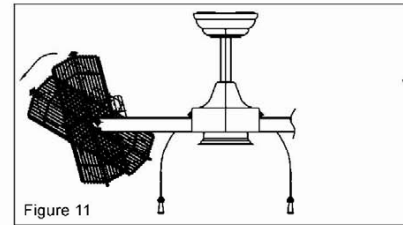
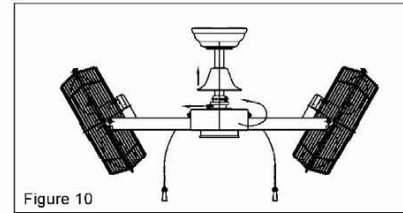
1. Remove the decorative nut on the light kit by turning it.
2. Remove the grille and the glass.
3. Install the bulbs to the bulb sockets.
4. Replace the glass, grille and decorative nut removed in step 2&1.
5. Tighten the decorative nut.

Adjusting The Tilt Angle

1. To change the tilt -angle of the Fan Head, loosen the Tilt Adjustment Knobs on both sides of the Grille, tilt the Fan Head to the desired angle and tighten the knobs (Fig 10).

Swivel The Fan

1. To swivel the fan, loosen the the bolt in the coupler and make the fan to the desired angle and tighten the bolt back. (Fig 11)



7.

Problem

Fan will not start.

Solution

1. Check main and branch circuit fuses or breakers.
2. Check line wire connections to the fan and switch wire connections in the switch housing.
CAUTION: Make sure main power is off.

Fan sounds noisy.

1. Make sure all motor housing screws are snug.
2. Make sure wire nut connections are not rattling against each other or the interior wall of the switch housing.
CAUTION: Make sure main power is off.
3. Allow a 24-hour "breaking-in" period. Most noises associated with a new fan disappear during this time.
4. If using the Ceiling Fan light kit, make sure the screws securing the glassware are tight. Check that the light bulb is also secure.
5. Make sure there is a short distance from the ceiling to the canopy.
It should not touch the ceiling.
6. Make sure your ceiling box is secure and rubber isolator pads are used between the hanger bracket and ceiling box.

Troubleshooting 8.

FAN SIZE	SPEED	VOLTS	AMPS	WATTS	RPM	CFM
14"	Low	120	1.34	124	1080	3700
	Med	120	1.62	144	1280	4360
	High	120	2.18	172	1440	5120

If you should have any problem, please contact us at 623-444-5121.

Specifications 9.

Free Manuals Download Website

<http://myh66.com>

<http://usermanuals.us>

<http://www.somanuals.com>

<http://www.4manuals.cc>

<http://www.manual-lib.com>

<http://www.404manual.com>

<http://www.luxmanual.com>

<http://aubethermostatmanual.com>

Golf course search by state

<http://golfingnear.com>

Email search by domain

<http://emailbydomain.com>

Auto manuals search

<http://auto.somanuals.com>

TV manuals search

<http://tv.somanuals.com>