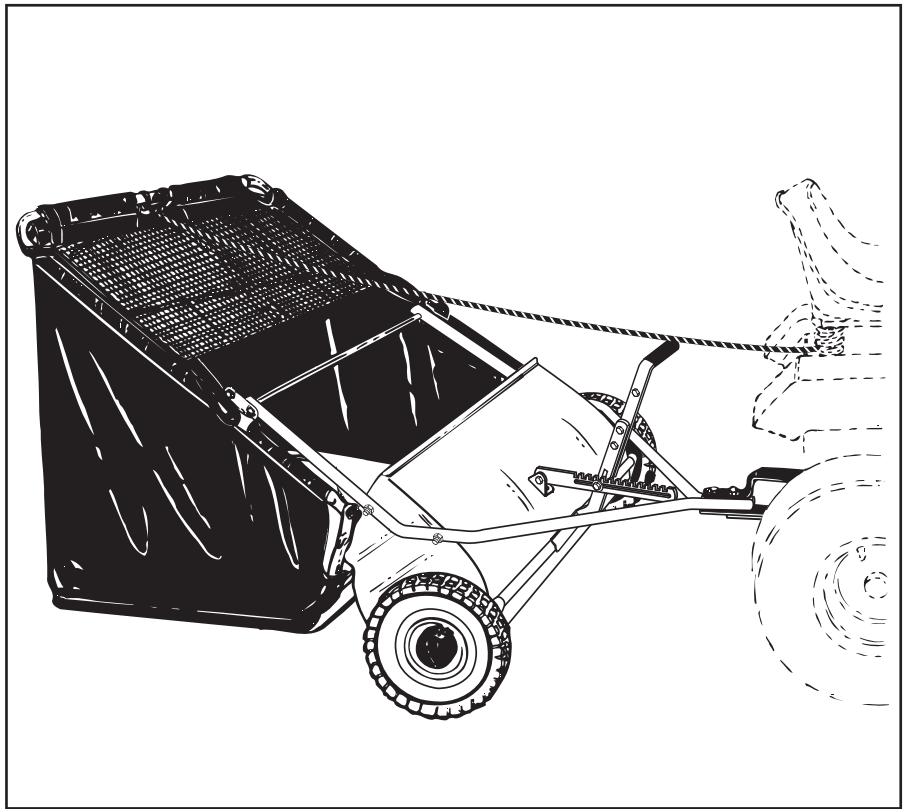




OWNERS MANUAL

**Model No.
45-0352
45-0352-669**



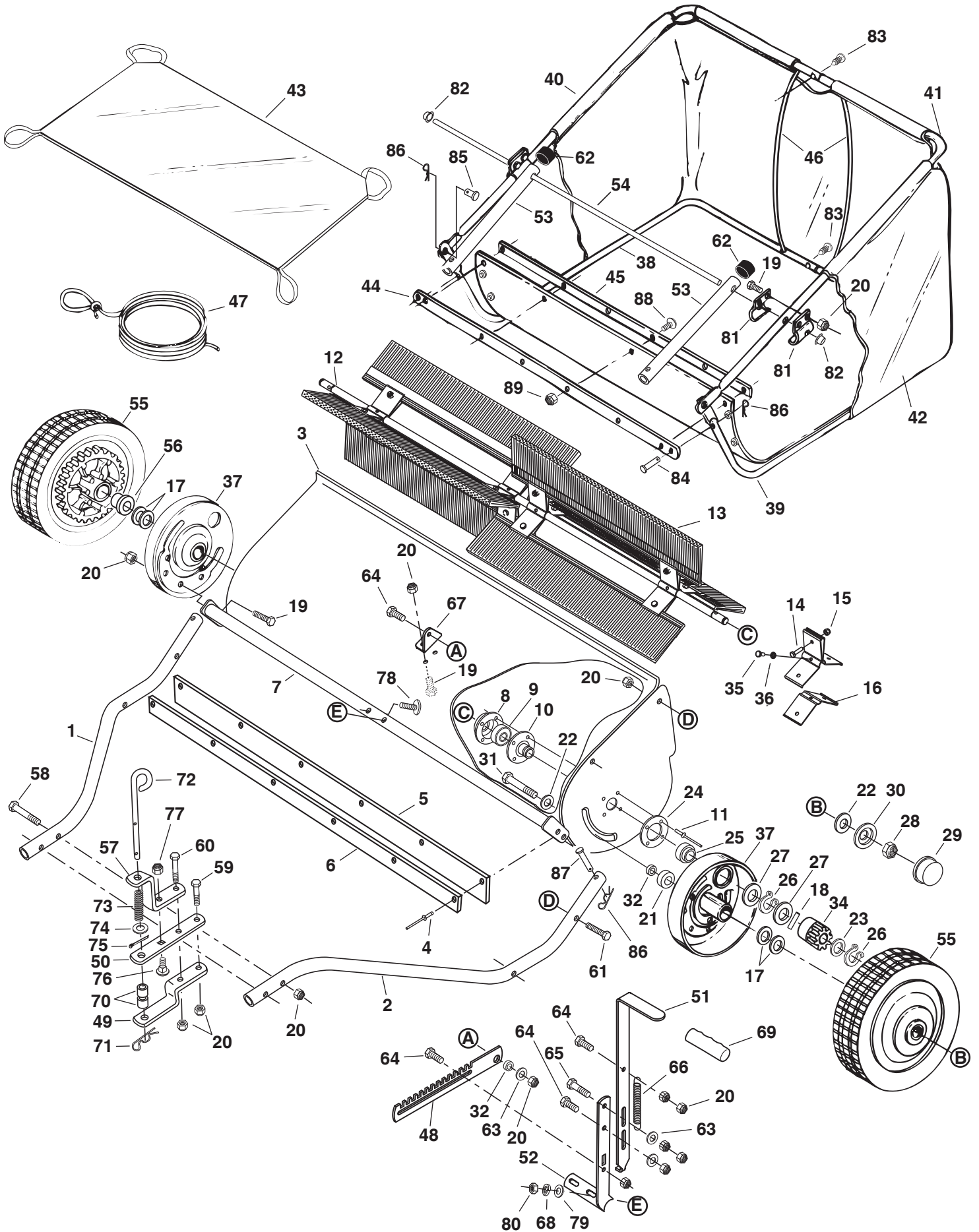
42" PROFESSIONAL LAWNSWEEPER

CAUTION:
Read Rules for
Safe Operation
and Instructions
Carefully

- Safety
- Assembly
- Operation
- Maintenance
- Parts

SpeedPart *the fastest way to purchase parts* www.speedepart.com

REPAIR PARTS FOR MODEL 45-0352, 45-0352-669 - 42" PROFESSIONAL LAWSWEEPER



REPAIR PARTS FOR MODEL 45-0352, 45-0352-669 - 42" PROFESSIONAL LAWSWEEPER

REF. NO.	PART NO.	QTY.	DESCRIPTION	REF. NO.	PART NO.	QTY.	DESCRIPTION
1	46776	1	Hitch Tube, R.H.	46	43938	2	Rod, Hopper Support 34"
2	46777	1	Hitch Tube, L.H.	47	43737	1	Hopper Rope
3	64753	1	Housing Assembly	48	24864	1	Strap, Height Adjustment
4	9M5732	6	Rivet	49	23687	1	Bracket, Hitch
5	46778	1	Skirt, 42"	50	24192	1	Bracket, Hitch (Straight)
6	24186	1	Retainer, Skirt	51	24865	1	Handle, Upper Height Adjustment
7	63463	1	Height Adjustment Tube Ass'y.	52	24866	1	Handle, Lower Height Adjustment
8	1629-56	2	Retainer, Dust Cover	53	46781	2	Tube, Bag Arm
9	44232	2	Ball Bearing	54	46823	1	Rod, Hopper Bag Pivot
10	64733	2	Brush Bushing Ass'y.	55	49308	2	Wheel & Tire Ass'y. (with bearings)
11	49152	8	Rivet	56	49306	2	Wheel Bearing
12	25138	1	Brush Shaft	57	23684	1	Bracket, Hitch Pin
13	48557	6	Brush, 42"	58	46782	2	Bolt, Hex 5/16-18 x 3" Lg.
14	43661	12	Bolt, Hex 1/4-20 x 1" Lg.	59	43224	1	Bolt, Hex 5/16-18 x 2-1/4" Lg.
15	47189	12	Nut, Nylock 1/4-20 Thread	60	44292	1	Bolt, Hex 5/16-18 x 2-1/2"
16	25137	12	Brush Retainer	61	43084	4	Bolt, Hex 5/16-18 x 1-3/4" Lg.
17	1540-31	4	Washer, Flat .78" x 1.25" x .06"	62	44481	2	Cap, Vinyl
18	47046	2	Dowel Pin (Drive)	63	43081	4	Washer, Flat 5/16"
19	43182	10	Bolt, Hex 5/16-18 x 3/4" Lg.	64	43063	2	Bolt, Hex 5/16-18 x 1"
20	47810	25	Nut, Nylock 5/16-18 Thread	65	43840	1	Bolt, Hex 5/16-18 x 1-1/4"
21	44911	2	Spacer, .41" x 1.125" x .50"	66	43000	1	Spring, Extension
22	141	4	Washer, Flat 1-1/2" x .375" x .062"	67	25407	1	Angle Bracket
23	44006	2	Washer, .849" x .598" x .025"	68	43086	2	Lock Washer, 5/16"
24	23336	2	Washer, Special	69	43943	1	Grip, Height Adjust
25	46219	2	Spacer, .78" x 1.25" x .50"	70	23368	2	Spacer, Hitch
26	1650-21	4	Ring, Retaining .594"	71	43343	1	Hairpin Cotter, 1/8"
27	44007	6	Washer, Shim 1-1/8" x .594" x .025"	72	46816	1	Pin, Hitch
28	1038	2	Nut, Nylock 3/8-24 Thread	73	44230	1	Spring, Hitch Pin
29	43014	2	Hub Cap	74	43352	1	Washer, 7/16" Flat
30	25440	2	Washer, Hub Cap	75	142	1	Pin, Cotter 1/8" x 3/4" Lg
31	44961	2	Bolt, Hex 3/8-24 x 3-1/4" Lg.	76	43350	1	Bolt, Carriage 3/8-16 x 1"
32	23400	3	Spacer, Small	77	HA21362	1	Nut, Nylock 3/8-16
33	48652	1	Gear, Pinion R.H. (not shown)	78	44947	2	Bolt, Cvd. Hd. 5/16-18 x 1-5/8" Lg.
34	48651	1	Gear, Pinion L.H.	79	44695	2	Washer, Bowed 1" x .32" x .06"
35	43866	4	Bolt, Hex 1/4-20 x 5/8"	80	43083	2	Nut, Hex 5/16-18 Thread
36	43177	4	Lock Washer, 1/4"	81	23331	4	Hopper Mount Clamp
37	64559	2	Dust Cover Assembly	82	44917	2	Palnut, 3/8"
38	46732	1	Lower Hopper Tube, R.H.	83	48402	2	Plug, 1/4"
39	46733	1	Lower Hopper Tube, L.H.	84	48365	2	Pin, Clevis 1/4" x 1-1/8"
40	46734	1	Upper Hopper Tube, R.H.	85	48366	2	Pin, Clevis 3/8" x 1/2"
41	46735	1	Upper Hopper Tube, L.H.	86	43055	6	Hairpin Cotter, 3/32" #3
42	46738	1	Hopper Bag	87	46867	2	Pin, Clevis 1/4" x 1-1/2" Lg.
43	46739	1	Wind Screen	88	43346	6	Screw, #10-32 x 5/8" Truss Head
44	25430	1	Strap, Bag Frame	89	47171	6	Nut, Nylock #10-32
45	24190	1	Retainer, Bag		48959	1	Owners Manual

SpeedPart *the fastest way to purchase parts* www.speedepart.com

Free Manuals Download Website

<http://myh66.com>

<http://usermanuals.us>

<http://www.somanuals.com>

<http://www.4manuals.cc>

<http://www.manual-lib.com>

<http://www.404manual.com>

<http://www.luxmanual.com>

<http://aubethermostatmanual.com>

Golf course search by state

<http://golfingnear.com>

Email search by domain

<http://emailbydomain.com>

Auto manuals search

<http://auto.somanuals.com>

TV manuals search

<http://tv.somanuals.com>