

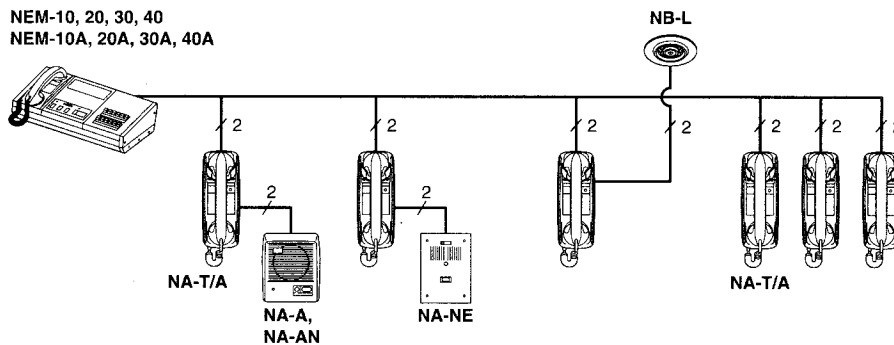
NEM Series HANDSET SUB STATION

Model; **NA-T/A**

INSTALLATION & OPERATION MANUAL

1 SYSTEM OUTLINE & COMPONENTS

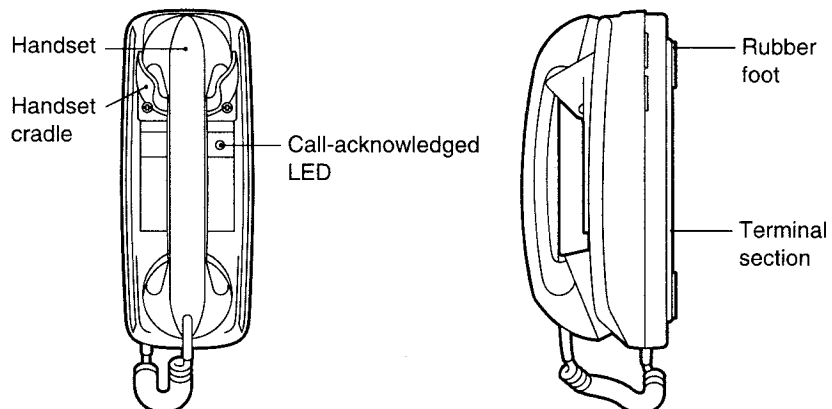
NA-T/A is a handset sub station for use with NEM, NEM-A Lamp Memory Intercom System. It can be used alone or in combination with any open voice sub (calling from the sub becomes inoperable).



■ COMPONENTS

- Master stations NEM & NEM-A Series Master stations
NEM-10, 20, 30 & 40
NEM-10A, 20A, 30A & 40A
- Sub stations NA-A, NA-AN, NA-NE & NB-L

2 NAMES AND FEATURES

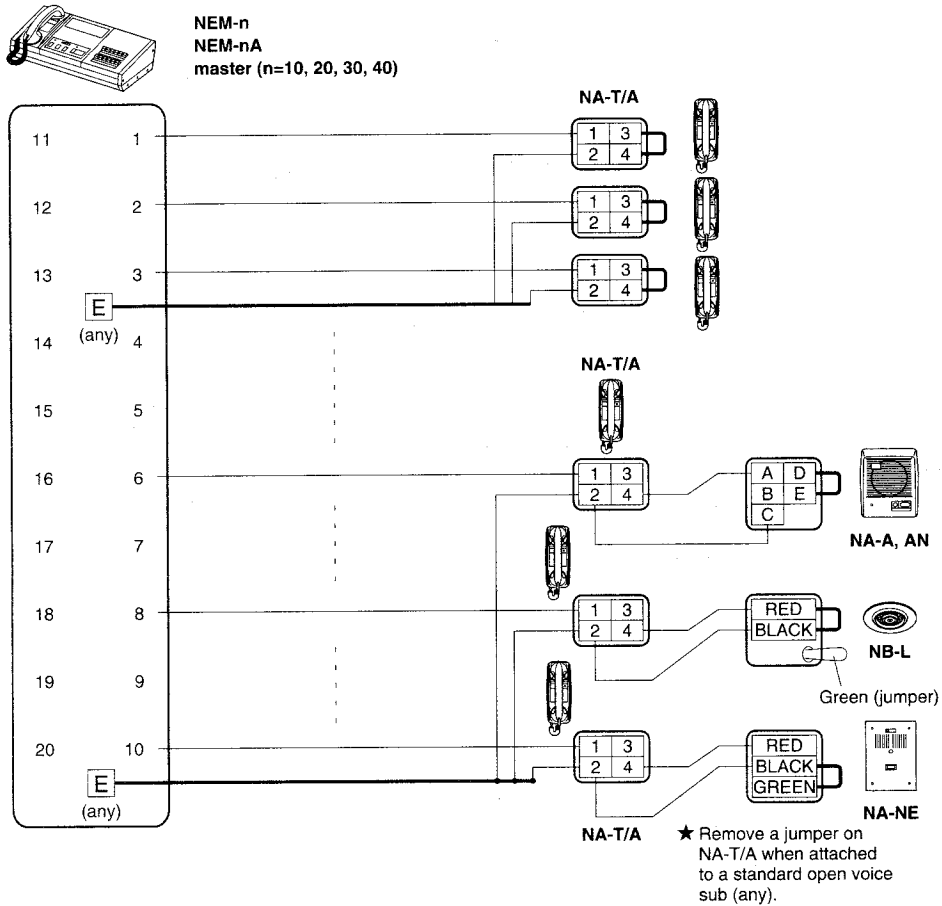


■ Features

- Simple operation: telephone-type substation with automatic call-in.
- Direct voice call from the master station.
- Simple wiring: two wires from substation to master.
- Two-way open voice communication may be added using a standard NA-A, NA-AN or NB-L substation.

3 WIRING

■ Wiring diagram



■ NEM Lamp Memory Intercom

NEM or NEM-A is a master-selective open voice press-to-talk or handset voice-actuation system. NA-T/A adds handset capability to an open voice sub, providing private communication.

■ Cable

Use a multi-conductor (non-twisted) cable 22AWG~18AWG, including 2 extension wires to standard sub attached to each NA-T/A.

- With the jumper between terminals 3 & 4, a single NA-T/A can receive a pre-tone and voice transmission from the master station. Full two-way communication requires the use of the handset. When an NA-A or NB-L substation is used in conjunction with the NA-T/A as shown above, two-way open voice communication is possible. Lifting the handset disables the open voice sub station, allowing 2-way communication between the master and the NA-T/A.

Note 1; The jumper between the NA-T/A terminals 3 & 4 should be removed if used in conjunction with a standard substation, or distortion may result.

Note 2; If background music is to be distributed through the system, the NA-T/A must be used in conjunction with a standard substation or distortion may result.

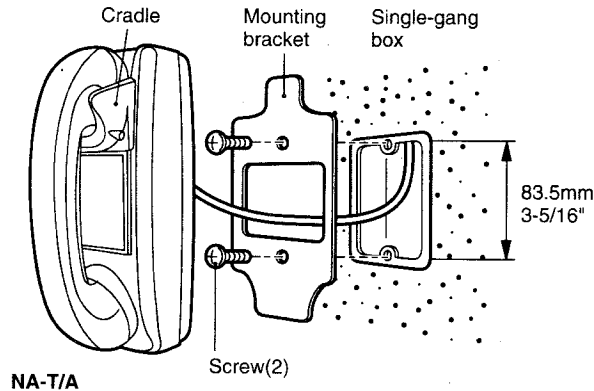
■ Wiring distance

- Select the proper wire gauge from the chart below to meet your requirements.

AWG	22AWG	20AWG	18AWG
Distance	420'	650'	1000'

4 MOUNTING

- ★ Do not attempt to install your intercom system until you have read and thoroughly understand the installation procedure. Aiphone's warranty is void if system is installed in a manner other than as described in this manual.



■ Wall-mounting

- ★ Remove two screws from body and install handset cradle for handset with two screws. Remove wall hanging bracket from back of unit. Attach the bracket to wall or box. Connect wires and fit the unit onto the mounting bracket by sliding the unit down until it locks on the bracket.

5 OPERATIONS

To place a call:

Simply lift the handset and wait for the master station to answer.

Receiving a call:

To answer a call through a single NA-T/A, simply lift the handset and talk. A pre-tone and voice is heard when the sub is called by the master. Respond handsfree through the open voice sub (NA-A, AN, NB-L), or pick up the NA-T/A handset for a private two-way conversation.

Note: If the master station hangs up before the NA-T/A, a call tone may be heard at the master. Call tone will cease when the NA-T/A handset is hung up.

6 SPECIFICATIONS

- ★ Power source: Supplied by NEM (-A) master.
- ★ Calling: Pre-tone and voice on both NA-T/A and the standard sub.
- ★ Communication: Handset voice-actuation on NA-T/A, or handsfree, on standard sub (any).
- ★ Wiring: 1 common + 1 indiv. per NA-T/A.

★ Wiring distance:

AWG	22AWG	20AWG	18AWG
Distance	420'	650'	1000'

- ★ Dimensions (H x W x D): 232 x 94 x 105 mm
9-1/8" x 3-3/4" x 4-1/8"
- ★ Weight: 600g, 1.32 lbs.

WARRANTY

Aiphone warrants its products to be free from defects of material and workmanship under normal use and service for a period of one year after delivery to the ultimate user and will repair free of charge or replace at no charge, should it become defective upon which examination shall disclose to be defective and under warranty. Aiphone reserves unto itself the sole right to make the final decision whether there is a defect in materials and/or workmanship; and whether or not the product is within the warranty.

This warranty shall not apply to any Aiphone product which has been subject to misuse, neglect, accident, or to use in violation of instructions furnished, nor extended to units which have been repaired or altered outside of the factory. This warranty does not cover batteries or damage caused by batteries used in connection with the product.

This warranty covers bench repairs only, and any repairs must be made at the shop or place designated in writing by Aiphone.

Aiphone will not be responsible for any costs incurred involving on site service calls.

Aiphone Co., Ltd., Nagoya, Japan
Aiphone Corporation, Bellevue, WA, USA

NA-T/A-I(E)0795B



Free Manuals Download Website

<http://myh66.com>

<http://usermanuals.us>

<http://www.somanuals.com>

<http://www.4manuals.cc>

<http://www.manual-lib.com>

<http://www.404manual.com>

<http://www.luxmanual.com>

<http://aubethermostatmanual.com>

Golf course search by state

<http://golfingnear.com>

Email search by domain

<http://emailbydomain.com>

Auto manuals search

<http://auto.somanuals.com>

TV manuals search

<http://tv.somanuals.com>