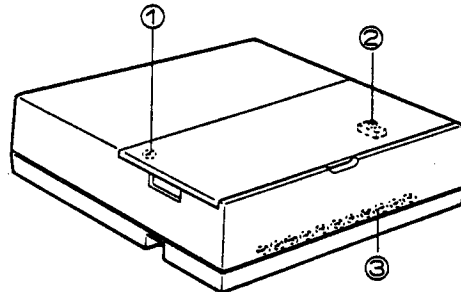


VEHICLE ALERT SYSTEM**Model:****AVD-S**Includes: Detector, Speaker,
Frame and Power Supply**INSTRUCTIONS****1****NAMES AND FUNCTIONS****AVD-1A****MOUNTING ACCESSORIES (included);**

Screw (2)



Wood screw (2)



- (1) Screw holding case to chassis
- (2) Chime tone volume control
- (3) Screw terminals

2**FEATURES**

- Complete digital design.
- Combined detector and chirper (tone annunciator) in one complete unit.
- Large loop inductance range: 20 - 2500 μ H, allowing operation with a variety of loops.
- A selectable presence mode, normal or infinite for detection duration of automobile.
- Built-in two stroke chime with 8 ohm output, allowing hookup to remote ceiling speaker.
- 3 watt output for noisy environments.
- Chime volume control to regulate sound level.
- Vehicle alert unit will reset automatically in case of intermittent or repaired loop.

3

BEFORE YOU INSTALL AND OPERATE THE EQUIPMENT

GUIDELINES:

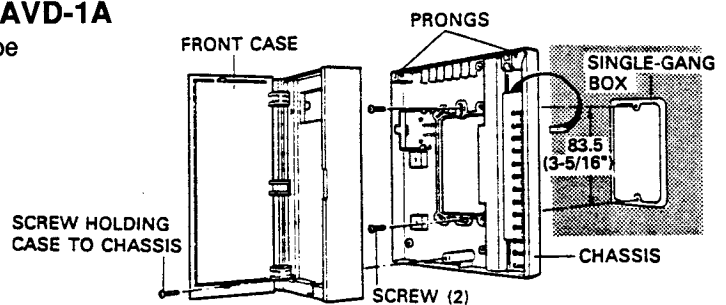
1. DO NOT CONNECT ANY TERMINAL ON UNIT TO AC POWER!
2. Be sure not to plug PS-12C power supply into AC receptacle until you complete wiring connections. Unplug the power supply prior to opening the unit.
3. Select the installation location that would not expose the unit to extreme temperature, humidity, water, oil, dust, flammable and chemical products, etc.
4. Do not pinch connecting wires.

4

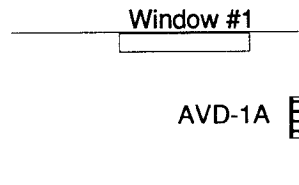
INSTALLATION

WALL MOUNTING INSTALLATION OF AVD-1A

1. Locate wires from vehicle loop, which should be found in area of window #1.
2. Mount AVD-1A at a height of 5'-5" off ground. (See overhead view below).
3. AVD-1A can be separated in two parts, by removing screw on case.
4. Attach the chassis to single-gang box, if available, or to wall with the supplied screws.
5. Route wires from behind chassis and terminate on screw terminals.



Overhead View-



INSTALLATION OF CEILING SPEAKER:

1. Mount SP-4MD w/SSB-4 frame in sink area if close to window #1. Else, mount in common area which will be easily heard in the grill, sink and drive-thru window areas.
2. Route wires from vehicle detector unit to selected area.
3. Cut out ceiling tile as illustrated in speaker instructions.
4. Terminate wires on speaker assembly.

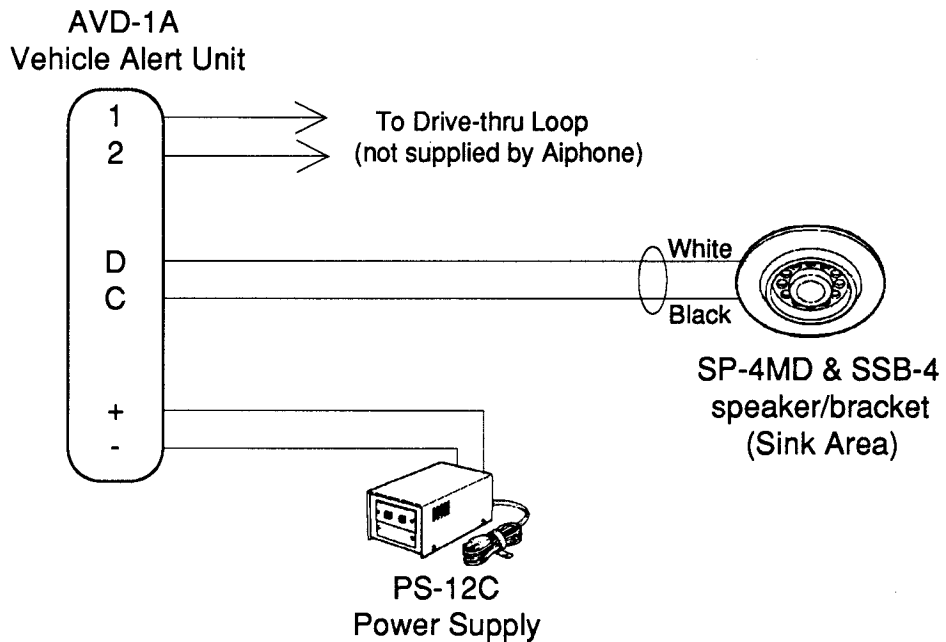
5

WIRING

1. Use a separate 2-conductor, 18 gauge non-shielded cable between the vehicle alert unit and PS-12C power supply.
2. Use a separate 2-conductor, 22 gauge shielded or non-shielded cable between vehicle alert unit and ceiling speaker.
3. Strip back outer jacket and individual wire jackets for wire connections.
4. ESTABLISH A COLOR CODE before beginning wire connections, and follow diagram on next page for actual connections.

6

WIRING DIAGRAM



Note: If using Aiphone's intercom system, additional power supply for AVD-1A is not needed

7

OPERATION

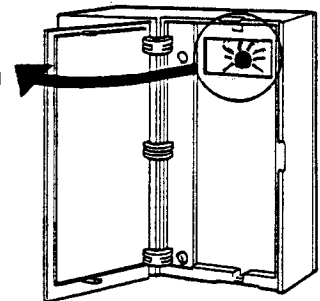
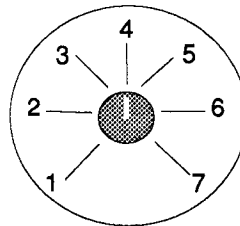
1. DETECTION OF AN AUTOMOBILE

A two-stroke chime is activated when the presence of an automobile is detected. The chime sound will be heard from the ceiling speaker located in selected area.

2. TO ADJUST CHIME TONE VOLUME LEVEL

Behind door is volume control knob. Adjust volume to desired level. See below for available volume levels:

- 1- Off
- 2- Low
- 3- Med/low
- 4- Medium
- 5- Med/high
- 6- High
- 7- Loud



Note: Volume level is factory set at "Med" Adjust accordingly.

8

SPECIFICATIONS

Power Output.....3 watts
Distortion.....Less than 1% at 1000Hz, 1 watt
Current consumption.....750mA at maximum output
Input.....20 - 2500 μ H
Output.....8 ohm ("D" & "C")
Power source.....DC 12V. Use PS-12C.
Dimensions.....6-5/16"H x 5-15/16"W x 1-3/4"D

Wiring requirements:

SP-4MD speaker.....2 conductor, 22AWG
PS-12C power supply.....2 conductor, 18AWG

Wiring Distance:

22AWG=650', 18AWG=1600'

WARRANTY

Aiphone warrants its products to be free from defects of material and workmanship under normal use and service for a period of one year after delivery to the ultimate user and will repair free of charge or replace at no charge, should it become defective upon which examination shall disclose to be defective and under warranty. Aiphone reserves unto itself the sole right to make the final decision whether there is a defect in materials and/or workmanship; and whether or not the product is within the warranty.

This warranty shall not apply to any Aiphone product which has been subject to misuse, neglect, accident, or to use in violation of instructions furnished, nor extended to units which have been repaired or altered outside of the factory.

This warranty does not cover batteries or damage caused by batteries used in connection with the product.

This warranty covers bench repairs only, and any repairs must be made at the shop or place designated in writing by Aiphone. Aiphone will not be responsible for any costs incurred involving on site service calls.

Aiphone Corporation
1700 130th Ave. N.E.
Bellevue, WA 98005
(206) 455-0510
FAX: (206) 455-0071

Communication systems for business, home and industry.

Free Manuals Download Website

<http://myh66.com>

<http://usermanuals.us>

<http://www.somanuals.com>

<http://www.4manuals.cc>

<http://www.manual-lib.com>

<http://www.404manual.com>

<http://www.luxmanual.com>

<http://aubethermostatmanual.com>

Golf course search by state

<http://golfingnear.com>

Email search by domain

<http://emailbydomain.com>

Auto manuals search

<http://auto.somanuals.com>

TV manuals search

<http://tv.somanuals.com>