

TB-nM/D

Master Station with Selective Door Release

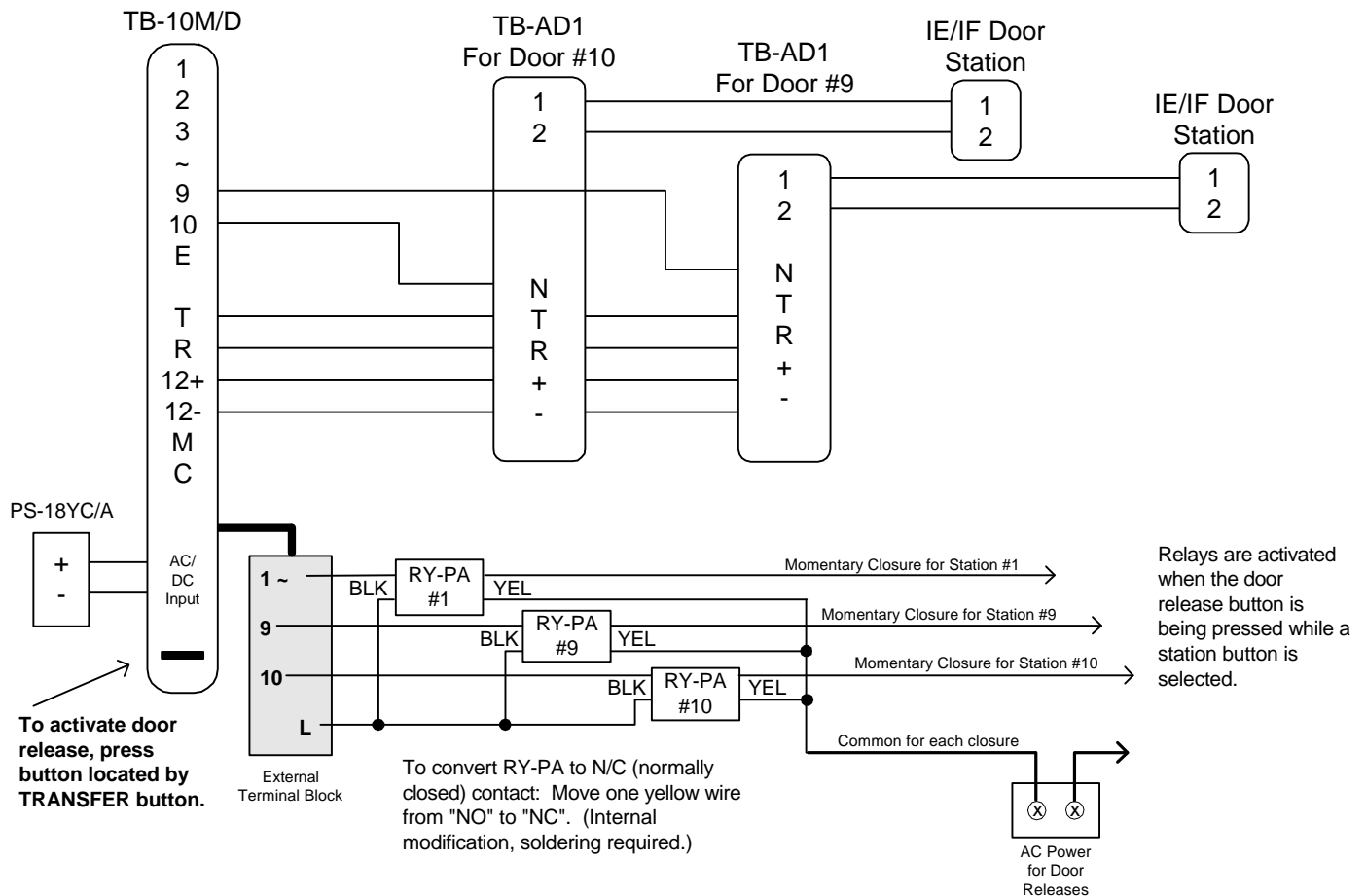
TB-10M/D 10-Call Master

TB-20M/D 20-Call Master

- SUPPLEMENT TO TB-M INSTRUCTIONS -

The TB-M/D Intercom and Selective Door Control System is designed for communication between a central master station and remote door stations. *The TB-M/D adds door release to the standard TB-M system.* All information regarding installation other than the external control functions is included in the TB-M instructions. In addition to communication to remote locations, the Master Station can selectively release the corresponding door strike or maglock.

WIRING DIAGRAM: SYSTEM USED FOR SELECTIVE DOOR RELEASE



Individual Components for System:

TB-nM/D	Master station with selective contact output capability (10, 20)
RY-PA	Relay for selective output (1 per station requiring external contact)
PS-18YC/A	18V DC, 1.2A Power Supply (For Audio Systems)
PS-18C	18V DC, 2A Power Supply (For Audio/Video Systems)
TB-AD1	1 Audio Door Adaptor
TB-AD10	10 Audio Door Adaptor
TB-ADM10	10 Video Door Adaptor

IMPORTANT:

- RY-PA must be used for each selective contact to isolate AC voltage from the intercom circuit.
- Extra contact connections and L are on the external terminal block.

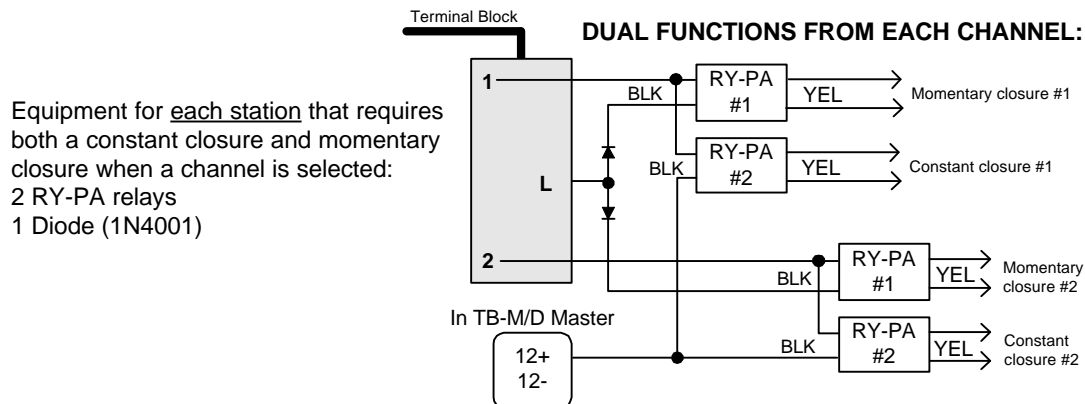
TB-M/D TERMINAL DEFINITIONS:

+	Power input (18V DC or 16V AC)
-	Negative
1~10	Station number
E	Common communication
M,C	Master-to-Master communication
T	Transmit to door station
R	Receive from door station
S, S	Output to call extension speaker

SEPARATE TERMINAL BLOCK:

1~10 (20)	Selective negative for each channel
L	Common Positive output for selective closure

WIRING DIAGRAM: SYSTEM USED FOR DUAL FUNCTION OF EXTRA CONTACTS



OPERATION:

* POWER SWITCH ON THE BACK OF THE MASTER MUST BE ON FOR SYSTEM TO BE OPERABLE.

1. When a station calls in, pick up the handset and press the selector button corresponding to the lit LED.
2. Speak to the person at the remote station through the handset. The person at the remote station speaks hands free.
3. To release the door at the calling party's location, press the "door release" button while still in communication with the calling station. This will activate the corresponding relay as long as the button is being held, which will activate the door release mechanism.
4. If both selective door release and a constant closure are used on a channel, the device connected to the "constant closure" relay will be on as long as the channel is selected. The "momentary closure" will only be active when the door release button is pressed.
5. When the conversation is completed, hang up the handset.

SPECIFICATIONS

Power Source:	18V DC or 16V AC at master. Use PS-18YC/A. PS-18C, or AC Transformer (16V AC, 10VA or greater).
Communication:	Handset at master Hands free at sub station
Calling:	Master to sub: By voice only. Sub to master: Call button on sub activates tone and LED at master
Wiring:	2 conductors homerun from door to door station adaptor. Four (4) common wires plus one (1) individual wire per station from door adaptor to Master. Use Aiphone #812202 (2 cond., 22AWG) or #812206 (6 cond., 22AWG) wire.
Wiring Distance:	
Door to Adaptor:	210' with 22AWG; 495' with 18AWG.
Adaptor to Master:	500' with 22AWG; 1,200' with 18AWG.

For additional information about this system, please refer to the TB-M instructions.

Aiphone Communication Systems
1700 130th Ave. N.E.
Bellevue, WA 98005
(425) 455-0510
FAX (425) 455-0071

Toll Free Technical Support
Phone: 1-800-692-0200
FAX: 1-800-832-3765
E-mail: tech-serv@aiphone.com

Pg. 2
TB-M/D Instr.
0598jd

Free Manuals Download Website

<http://myh66.com>

<http://usermanuals.us>

<http://www.somanuals.com>

<http://www.4manuals.cc>

<http://www.manual-lib.com>

<http://www.404manual.com>

<http://www.luxmanual.com>

<http://aubethermostatmanual.com>

Golf course search by state

<http://golfingnear.com>

Email search by domain

<http://emailbydomain.com>

Auto manuals search

<http://auto.somanuals.com>

TV manuals search

<http://tv.somanuals.com>