

MK Door Sentry

Audio Video Door Answering System

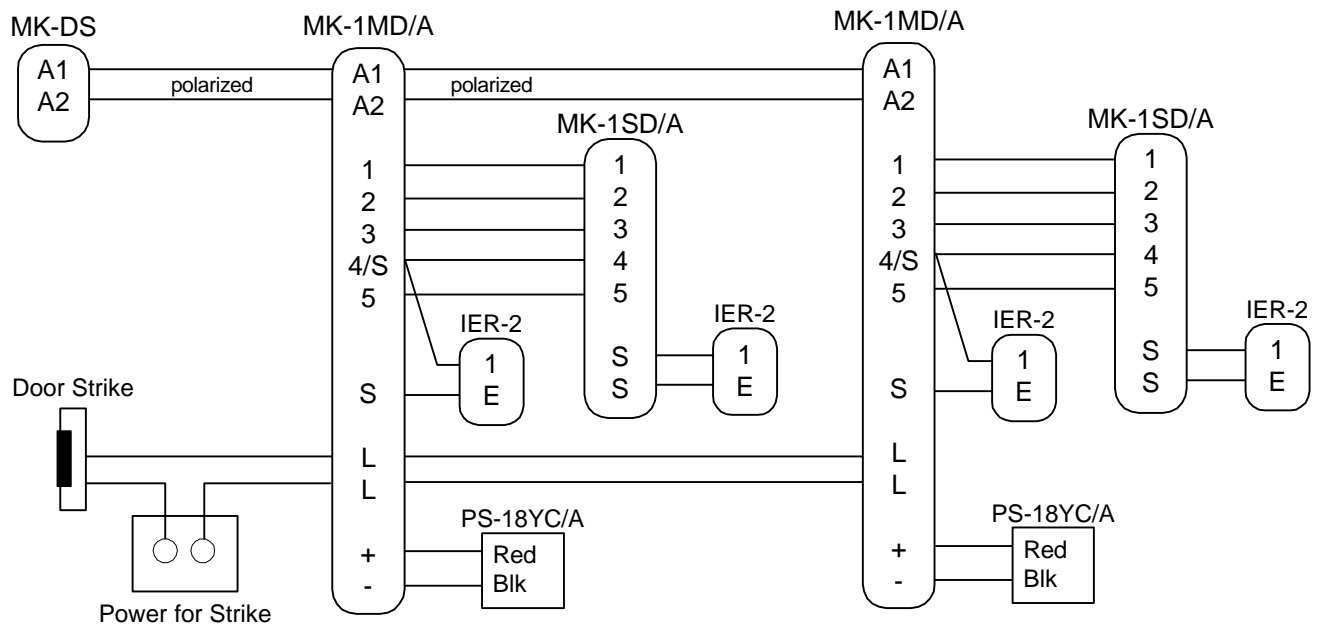
Maximum System Configuration

2 MK-1MD/A, 2 MK-1SD/A, 4 IER-2

- INSTRUCTIONS -

The MK Door Sentry system can have up to two video monitors, each having one audio-only handset wired to it. Each monitor and/or handset can have a chime extension speaker wired to it as well. *This is the maximum configuration.* Aiphone does not guarantee the operation of any system beyond this capacity.

WIRING DIAGRAM:



Individual Components for MK Door Sentry System:

MK-DS	Video door station, fixed wide angle
MK-1MD/A	Monitor/handset room station
MK-1SD/A	Audio-only handset room station
IER-2	Chime extension speaker
PS-18YC/A	18V DC Power supply for MK monitor (1 ea.)
EL-9S	Electric door strike
PT-1210N	AC Transformer for door strike

STATION MOUNTING:

MK-1MD/A & MK-1SD/A:
Surface mount to wall or 1-gang box

MK-DS:
Surface mount to wall or 1-gang box

MK-1MD/A TERMINAL DEFINITIONS:

+	Positive 18V DC
-	Negative
A1	Audio/Video
A2	Audio/Video
1	Communication to MK-1SD/A
2	Chime to MK-1SD/A
3	Power to MK-1SD/A
4/S	Ground
5	Door release control
S	Chime output
L	Door release control
L	Door release control (N/O dry closure)

Aiphone Communication Systems
1700 130th Ave. N.E.
Bellevue, WA 98005
(425) 455-0510
FAX (425) 455-0071

Toll Free Technical Support:
1-800-692-0200
FAX: 1-800-832-3765

max-mk.vsd
0398JD

Free Manuals Download Website

<http://myh66.com>

<http://usermanuals.us>

<http://www.somanuals.com>

<http://www.4manuals.cc>

<http://www.manual-lib.com>

<http://www.404manual.com>

<http://www.luxmanual.com>

<http://aubethermostatmanual.com>

Golf course search by state

<http://golfingnear.com>

Email search by domain

<http://emailbydomain.com>

Auto manuals search

<http://auto.somanuals.com>

TV manuals search

<http://tv.somanuals.com>