

INSTALLATION MANUAL

IP DOOR STATION AN-8540DS

1. SAFETY PRECAUTIONS

- Before installation or use, be sure to carefully read all the instructions in this section for correct and safe operation.
- Be sure to follow all the precautionary instructions in this section, which contain important warnings and/or cautions regarding safety.
- After reading, keep this manual handy for future reference.

CAUTION

Indicates a potentially hazardous situation which, if mishandled, could result in moderate or minor personal injury, and/or property damage.

- Use the dedicated AC adapter or its equivalent for the unit. Note that the use of other adapter may cause a fire.

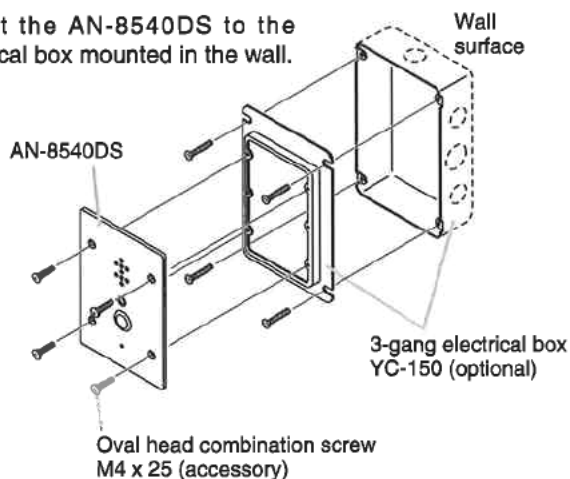
2. GENERAL DESCRIPTION

Designed to connect to the IP network, the AN-8540DS is an indoor use door station featuring high quality hands-free conversation. It has a contact output (momentarily closed) to remotely control an electronic door lock. Using with an electrical box or surface mounting box, the station can be mounted to a wall. The operating temperature range is -10°C to +50°C.

3. WALL MOUNTING

3.1. Mounting to a 3-gang Switch Box (with cover)

Mount the AN-8540DS to the electrical box mounted in the wall.



Note

The wall should be over 12 mm thick, and the opening in the wall for an electrical box should be under 115 mm (wide) by 162 mm (high).

Accessory screws

The AN-8540DS comes with 2 types of screws: oval head combination screw M4 x 25 and oval head slotted screw UNC No.6 x 18. For the electrical box provided with unified threads, use the oval head slotted screws UNC No.6 x 18.

3.2. Mounting to the YS-13A Wall Mount Box

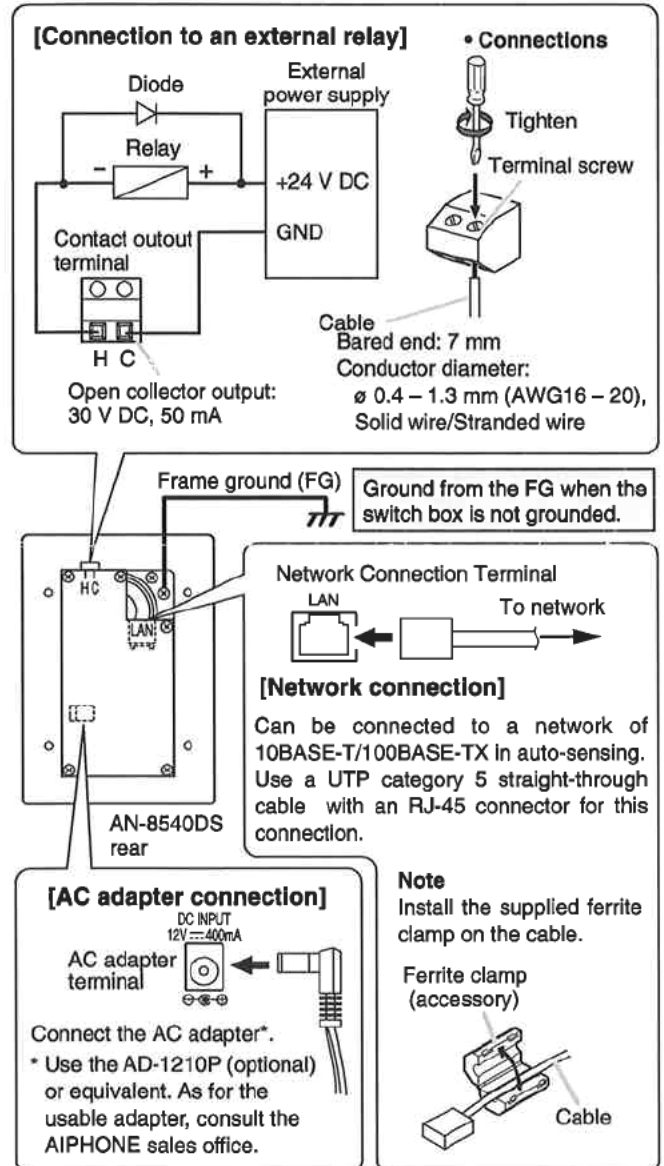
Install the YS-13A on a wall and mount the station in the same way as 3.1.

4. WIRING

[Power supply connection]

The following 2 methods are available for supplying power to the station.

- From a DC 12 V AC adapter
- From an IEEE802.3af compliant PoE switching hub (For connection, refer to the instruction manual supplied with the switching hub.)



Free Manuals Download Website

<http://myh66.com>

<http://usermanuals.us>

<http://www.somanuals.com>

<http://www.4manuals.cc>

<http://www.manual-lib.com>

<http://www.404manual.com>

<http://www.luxmanual.com>

<http://aubethermostatmanual.com>

Golf course search by state

<http://golfingnear.com>

Email search by domain

<http://emailbydomain.com>

Auto manuals search

<http://auto.somanuals.com>

TV manuals search

<http://tv.somanuals.com>