

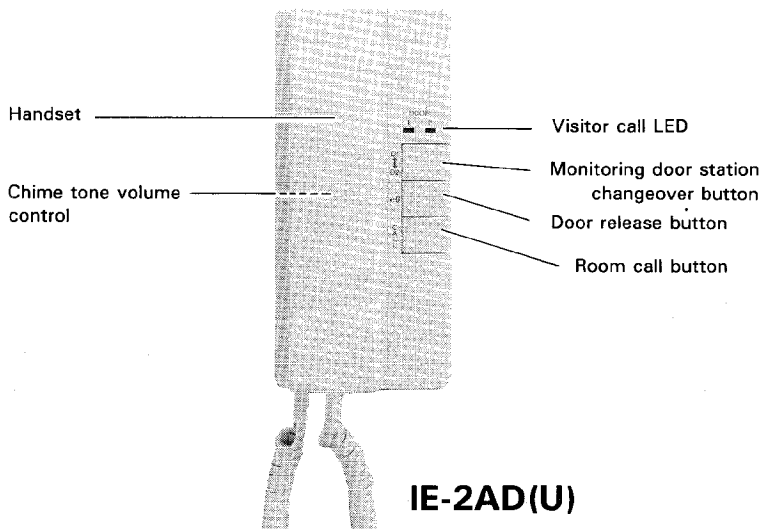
CHIME TONE INTERCOM

Type; 2 doors — 3 rooms

Model; **IE-2AD(U)** (Room master station)

INSTRUCTIONS

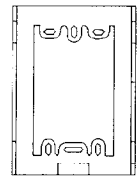
1 NAMES AND FUNCTIONS



Mounting accessories;



Screw (× 2)
(for mounting to
electrical box)



Wood screw (× 2)
(for mounting to
wall surface)

Wall-mounting
bracket

2 FEATURES

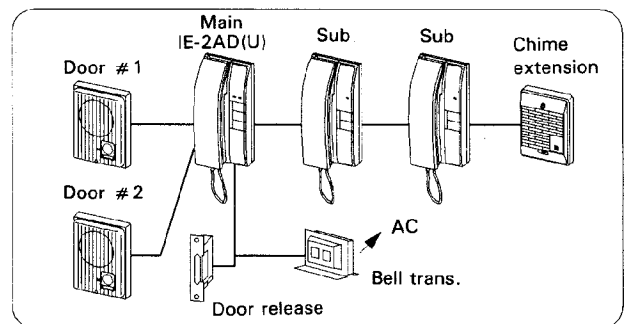
IE-2AD(U) is a Chime Tone Intercom room master station for system with max. three room stations and max. two door stations (IE series).

For power supply, a bell transformer can be used for both communication and door release (Example; when EL-9S is used, select a bell transformer of AC12 ~ 16V, 450mA or more).

A power supply (DC12 ~ 24V, 200mA or more) may also be used only for communication.

Video entry security system can be developed, employing PanTilt video door station (max. 1) and MY-CU/MYH-CU video monitors (Refer to the MY-CU Instructions for details).

- * Thin and compact body design, matching interior decor.
- * 4-stroke or 2-stroke chime and LED illumination for doorstation call-in.
- * Simply pick up handset at any room station to reply to the caller.
- * Transfer of door station call to another room.



- * Instant reply to second door station call and return by changeover switch.
- * Door release button on room stations.
- * Adjustable chime call volume.
- * Optional call extension speaker.

3

BEFORE YOU INSTALL AND OPERATE THE EQUIPMENT

– Prohibitions and precautions –

Operation;

DO NOT HOLD HOOK SWITCH DOWN WHILE PICKING UP HANDSET. THE CHIME TONE SOUNDS THROUGH THE HANDSET RECEIVER ELEMENT AND COULD CAUSE HEARING DAMAGE.

Installation;

- * DO NOT CONNECT ANY TERMINAL ON ANY UNIT TO AC POWER LINES.
When you mount IE-2AD(U) unit in place of existing bell or chime, be sure to disconnect wires from the present transformer.
- * BE SURE TO DISCONNECT WIRES FROM BELL TRANSFORMER (or POWER SUPPLY) BEFORE YOU OPEN THE IE-2AD(U) UNIT OR MAKE WIRING CONNECTIONS.
- * Avoid running the connecting wires through doors, windows or between furniture, which may pinch and disconnect the wires.
- * IE-2AD(U) equipment must be installed in as dry and dust-free environment as possible.

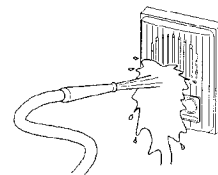
Maintenance;

- * Clean your IE-2AD(U) equipment with a soft cloth dampened with neutral household cleanser. Never use thinner, lacquer or benzine, etc.
- * Do not splash water on the door station by hose, etc.

NEVER

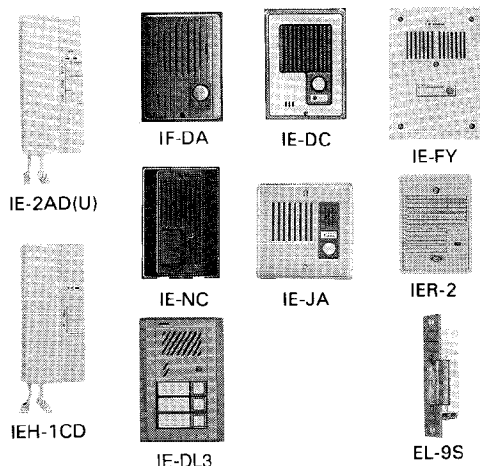


NEVER



4

SYSTEM COMPONENTS



Room stations;

- IE-2AD(U) : Room master station. Wall-mount.
- IEH-1CD : Room sub station. Wall-mount (max. 2 per system).

Door stations (max. 2 per system).

- IF-DA : with brown plastic cover (surface-mount).
- IE-DC : – do – (surface-mount).
- IE-NC : – do – (semi-flush mount).
- IE-JA : with stainless steel cover (flush-mount).
- IE-FY : with aluminum cover (flush-mount).
- IE-DL1 : 1-call, with brown anodized aluminum cover (surface-mount).
- IE-DL2 : – do –, 2-call.
- IE-DL3 : – do –, 3-call (each with illumination lamp).

Options;

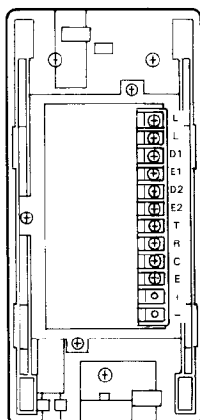
- IER-2 : Call extension speaker, with volume control.
- EL-9S : Door release. AC 12V, 0.35A. Requires a separate bell transformer.

Notes; Your IE-2AD (U) can not work with IB/IC/ID series door stations. As to call extension, ICR-1 can be included in IE-2AD(U) system.

5

INSTALLATION

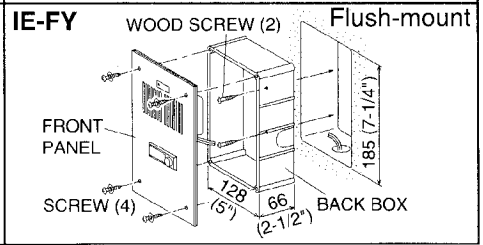
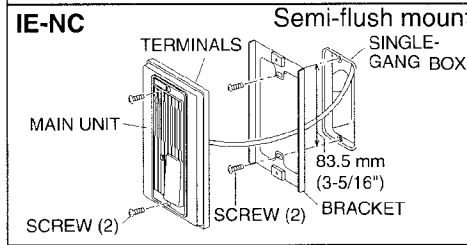
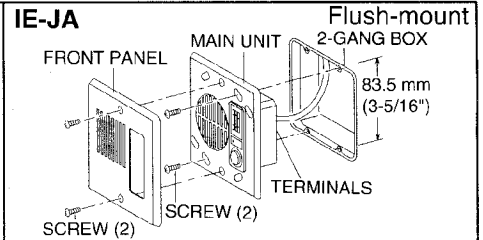
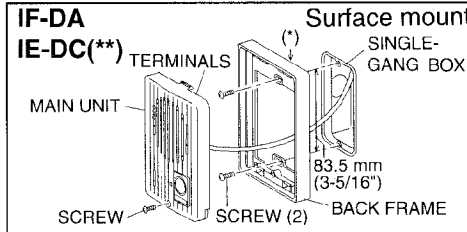
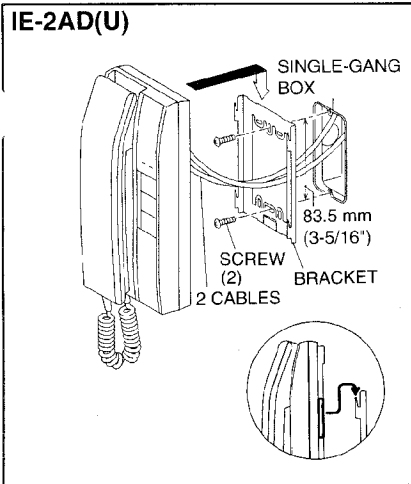
(1) Actual terminal location;



IE-2AD(U)
BACK VIEW

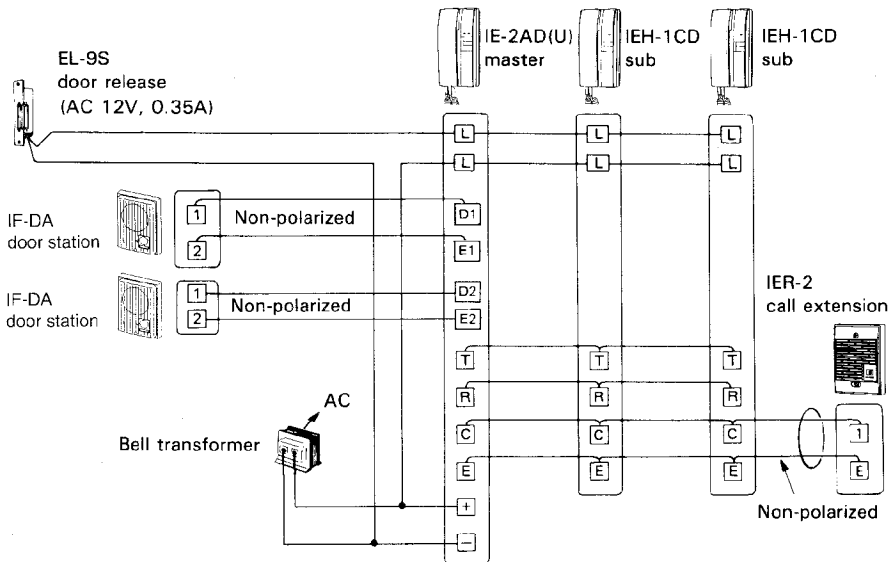
- L For electric door release.
- L
- D1 Connect to door station # 1 (non-polarized).
- E1
- D2 Connect to door station # 2 (non-polarized).
- E2
- T — For transmitting.
- R — For receiving.
- C — For receiving call signal.
- E — For common line.
- +, - — For power supply.

(2) Wall-mounting installation;



- ***Master station;** Attach the mounting bracket to wall or single-gang box with the supplied wood screws or screws. Insert the prongs of the bracket into the holes of the body and pull the body downward. Be careful not to attach the bracket upside down.
- * **Door station;** (*) When mounting IF-DA, IE-DC to wall directly, remove outlet part (*) on top or bottom of back frame to pass cable.
(**) Illustrates IF-DA's, and IE-DC mounts in the same manner.

6 WIRING DIAGRAM



Notes;

- (1) Bell transformer for both communication and door release; AC 12-16V, 450mA or more (when EL-9S is used). AC 12-16V, 700mA or more (when door release of other manufacture is used).
- (2) Door release; Use a door release EL-9S (AC 12V, 350mA) or other manufacture's which does not exceed AC 12-16V 500mA, when powered by a system's bell transformer.
- (3) Connect IER-2 to C, E terminals on any room station convenient.
- (4) Locate a system's power supply within a 10m/33' distance from main room station, using 0.65 mm dia./22AWG wires.

7 SPECIFICATIONS

Power source: IE-2AD(U); Powered by a bell transformer AC 12-16V, 200mA OR a power supply DC 12-24V, 200mA.
 Current consumption: Max. 200mA (AC 12-16V). Max. 200mA (DC 12-24V).
 Calling: 4-stroke & 2-stroke electronic chime (w/slide volume switch).
 Wiring: 2 wires (to door station) (non-polarized), 6 wires (between main/sub & sub room stations)
 2 wires (to door release) (must be separated from communication's cable).

Door release button contact capacity: DC/AC 24V, 0.5A.

Wiring distance: *Between IE-2AD(U) & door station;

AWG	24AWG	22AWG	20AWG	18AWG
Distance	300'	500'	750'	1,180'
Diameter	0.5 mm	0.65 mm	0.8 mm	1.0 mm
Distance	90 m	150 m	230 m	360 m

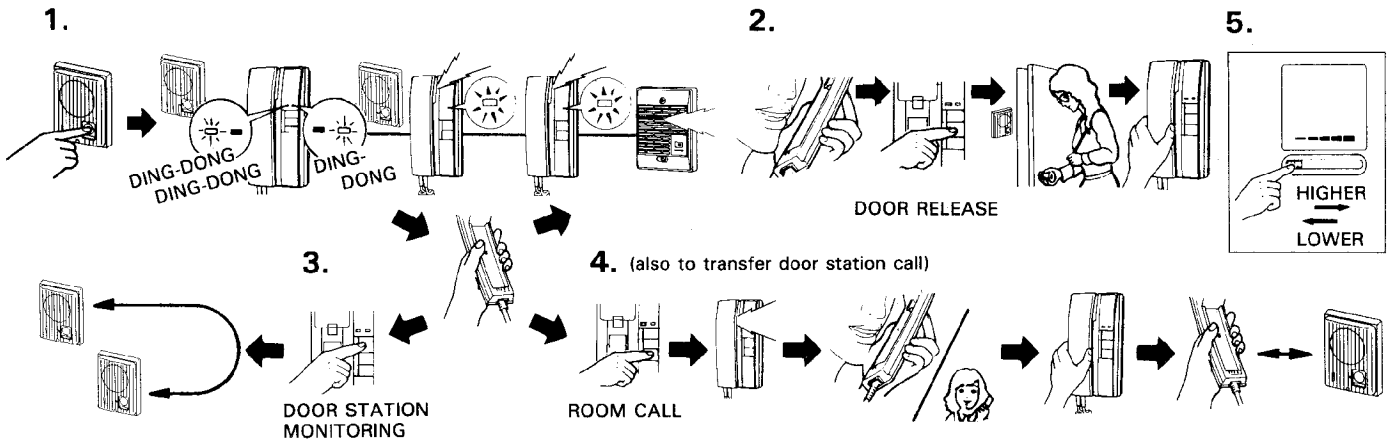
*Between IE-2AD(U) & IEH-1CD;

AWG	24AWG	22AWG	20AWG	18AWG
Distance	150'	250'	380'	590'
Diameter	0.5 mm	0.65 mm	0.8 mm	1.0 mm
Distance	45 m	75 m	115 m	180 m

Dimensions & weight: (H x W x D) 210 x 100 x 68 (mm); 8-1/4" x 3-15/16" x 2-11/16". Approx. 700 g (1.54 lbs.)

8

OPERATIONS



1. Communication;

At door station;

Momentarily depress CALL button. After room station replies, talk handsfree.

At room station;

Incoming call is announced by 4-stroke or 2-stroke chime and LED at all the room stations and IER-2, if installed. To reply, simply pick up handset at any station. After communication, hang up handset onto its cradle properly.

To transfer a door station call to another room station, depress ROOM CALL button and inform.

At the transferred station, momentarily hang up handset to reply to door station.

2. To operate door release;

While holding handset, depress and hold DOOR RELEASE button on IE-2AD(U). The visitor may open the door while buzzing sound is heard.

3. Monitoring door station;

Pick up handset and you can monitor the door station with its LED lit. To monitor the other door station, press CHANGEOVER button.

4. Room-to-room communication;

Pick up handset and immediately depress ROOM CALL button. Please note that picking up handset automatically connects to door station you last communicated with.

When called by oscillating tone, simply pick up handset to reply to another room station.

When chime tone is heard softly during your internal communication, hang up handset at both stations and repick up at either to reply to door station.

When called by second door station while you are answering to first door station, momentarily hang up handset to reply to second door.

5. To adjust chime volume;

Adjust chime volume as desired by the slide switch on IE-2AD(U), according to the room conditions.

The chime volume at IER-2 can be changed separately by the switch provided.

WARRANTY

Aiphone warrants its products to be free from defects of material and workmanship under normal use and service for a period of one year after delivery to the ultimate user and will repair free of charge or replace at no charge, should it become defective upon which examination shall disclose to be defective and under warranty. Aiphone reserves unto itself the sole right to make the final decision whether there is a defect in materials and/or workmanship; and whether or not the product is within the warranty.

This warranty shall not apply to any Aiphone product which has been subject to misuse, neglect, accident, or to use in violation of instructions furnished, nor extended to units which have been repaired or altered outside of the factory.

This warranty does not cover batteries or damage caused by batteries used in connection with the product.

This warranty covers bench repairs only, and any repairs must be made at the shop or place designated in writing by Aiphone.

Aiphone will not be responsible for any costs incurred involving on site service calls.

Aiphone Co., Ltd., Nagoya, Japan
Aiphone Corporation, Bellevue, WA, USA

IE-2AD(U)-I(E) 1192D

Download from Www.Somanuals.com All Manuals Search And Download.

COMMUNICATION SYSTEMS
AIPHONE
HOME, BUSINESS, INDUSTRY.

Printed in Japan (E)

Free Manuals Download Website

<http://myh66.com>

<http://usermanuals.us>

<http://www.somanuals.com>

<http://www.4manuals.cc>

<http://www.manual-lib.com>

<http://www.404manual.com>

<http://www.luxmanual.com>

<http://aubethermostatmanual.com>

Golf course search by state

<http://golfingnear.com>

Email search by domain

<http://emailbydomain.com>

Auto manuals search

<http://auto.somanuals.com>

TV manuals search

<http://tv.somanuals.com>