

# RY-ES

## External Signaling Relay

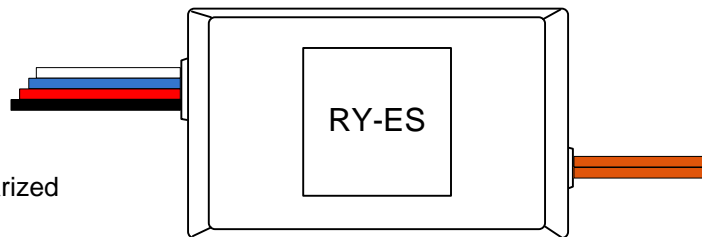
### - INSTALLATION & OPERATION INSTRUCTIONS -

The RY-ES is a relay used to activate an external signaling device when the door station calls in. It can be used for call extension on the JK, JF, JA, KC, KB, AX, NEM, DB, and IE systems. The relay connects to the chime output of the master in place of the IER-2. The system's power supply powers the input of the RY-ES relay. A separate power source is required for the external device.

## 1 NAMES & FUNCTIONS

### Input of relay:

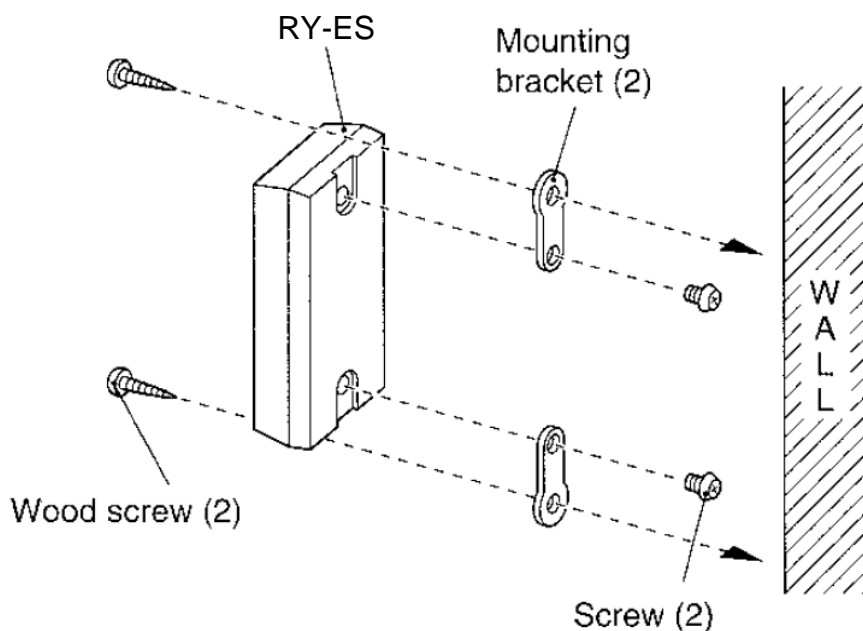
- Red: Positive Power
- Black: Negative Power
- White: Activation wire\*
- Blue: Activation wire\*
- \*Blue & White are Non-polarized



### Output of relay:

- 2 Orange wires
- N/O Dry contact closure

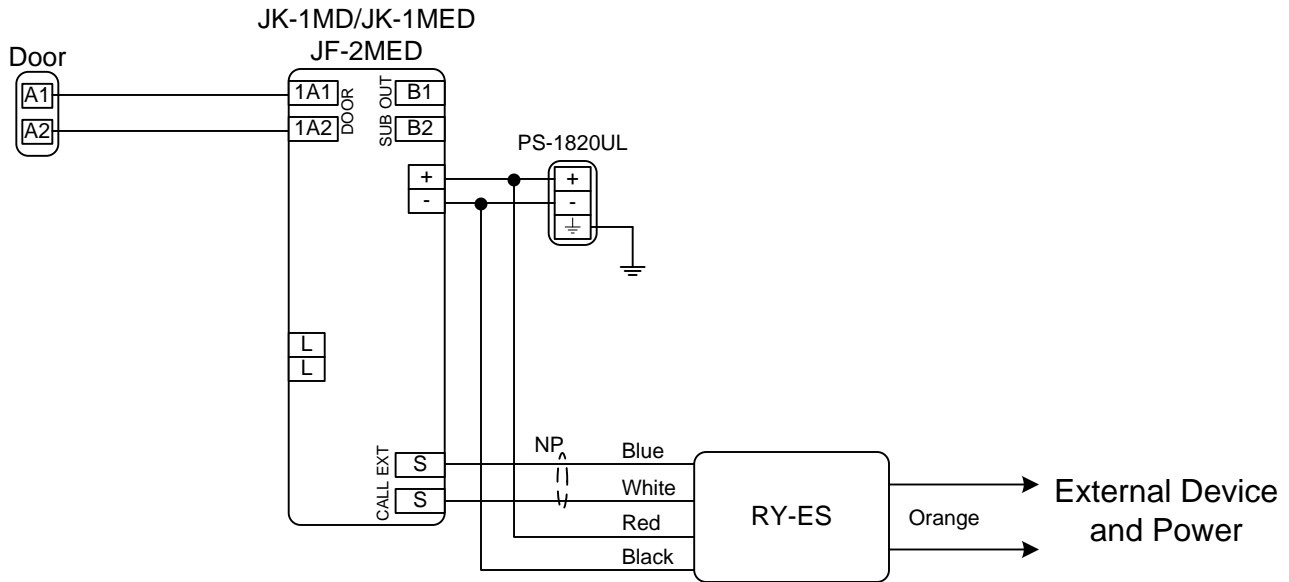
## 2 INSTALLATION



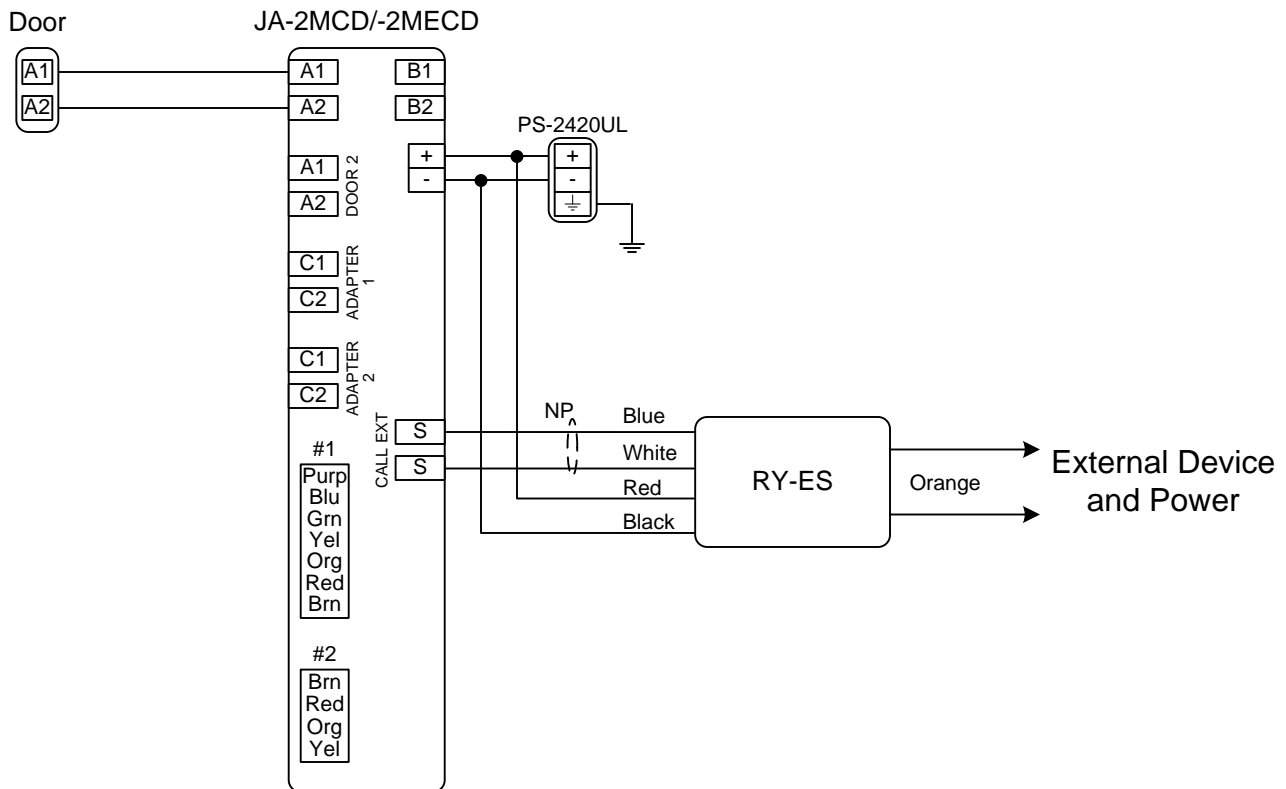
Wall mount the unit with the supplied mounting hardware as shown in the diagram to the left. When making wire connections, be sure not to short any wires together. Use wire nuts or another protective material to isolate the connections.

# 3 WIRING DIAGRAMS

## JK & JF Systems

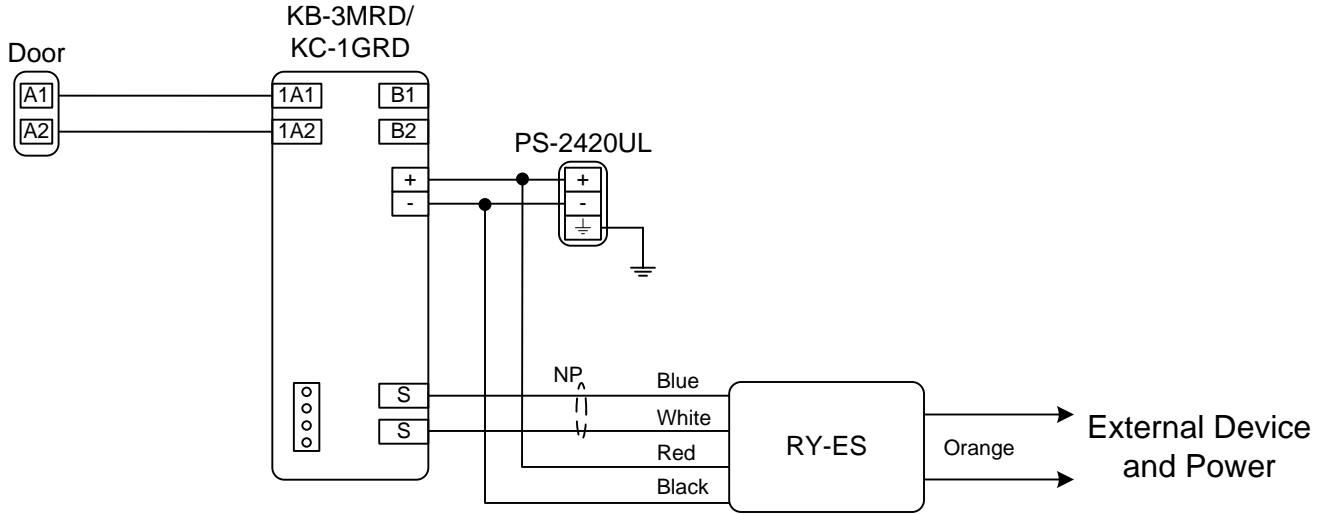


## JA System

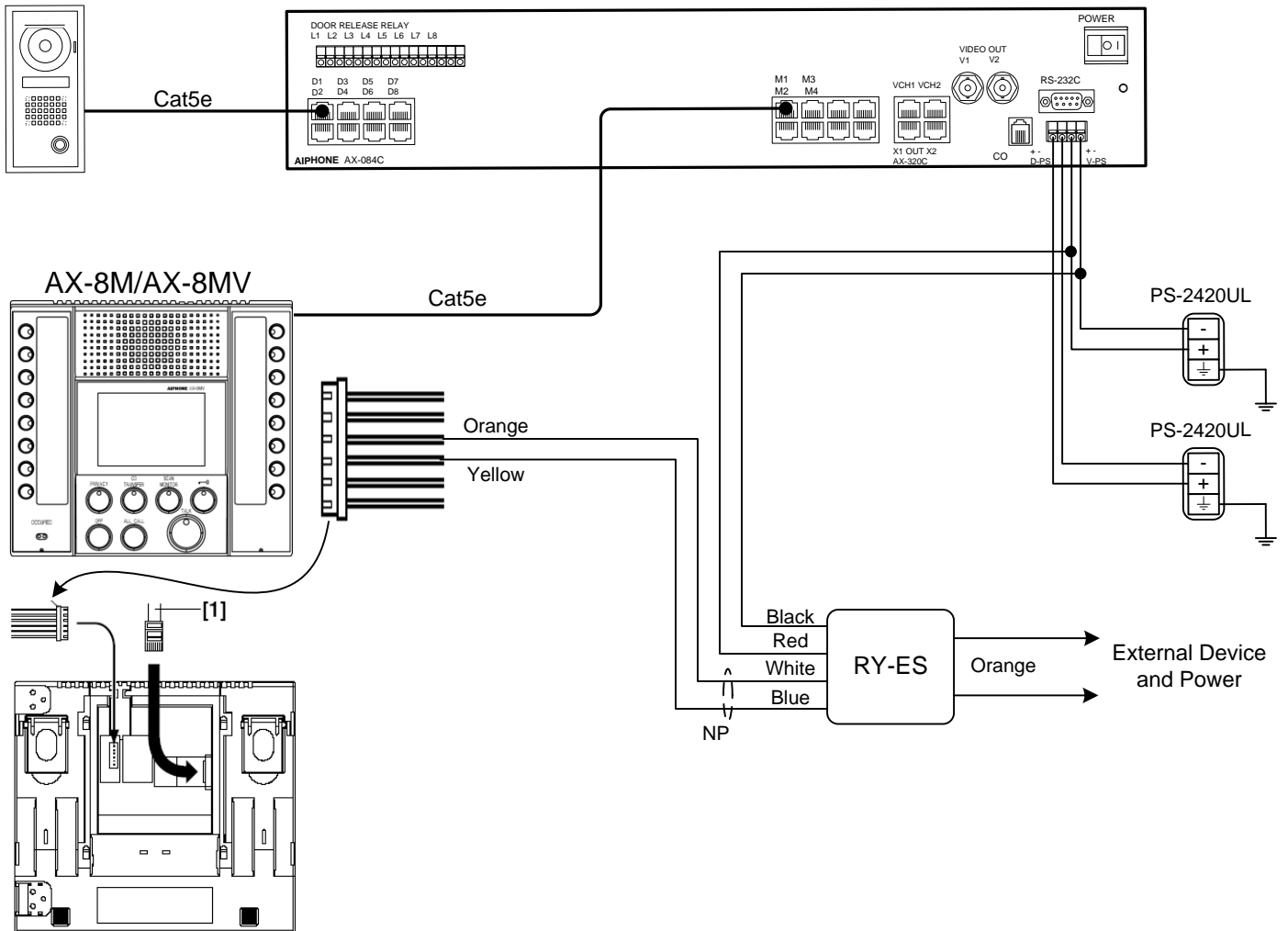


# 3 WIRING DIAGRAMS (cont)

## KB & KC Systems

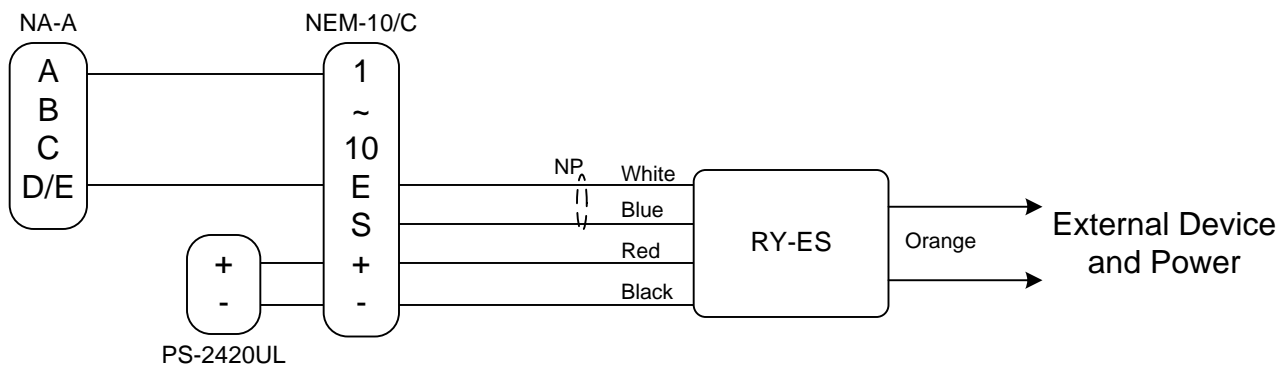


## AX System

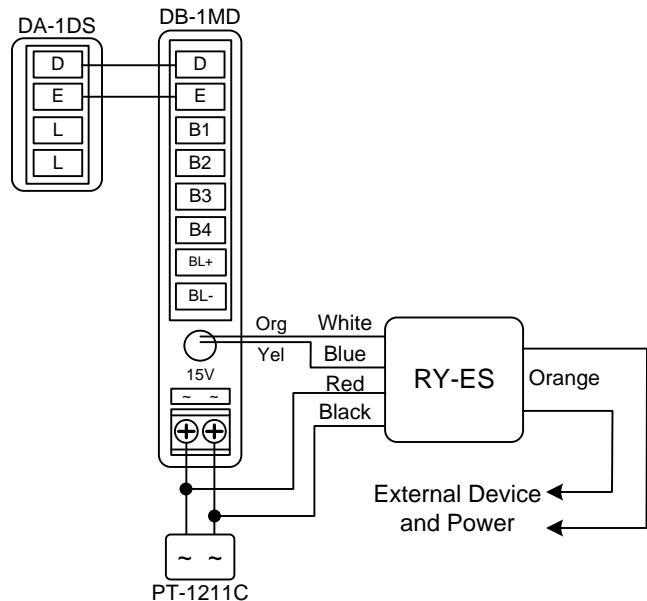


### 3 WIRING DIAGRAMS (cont)

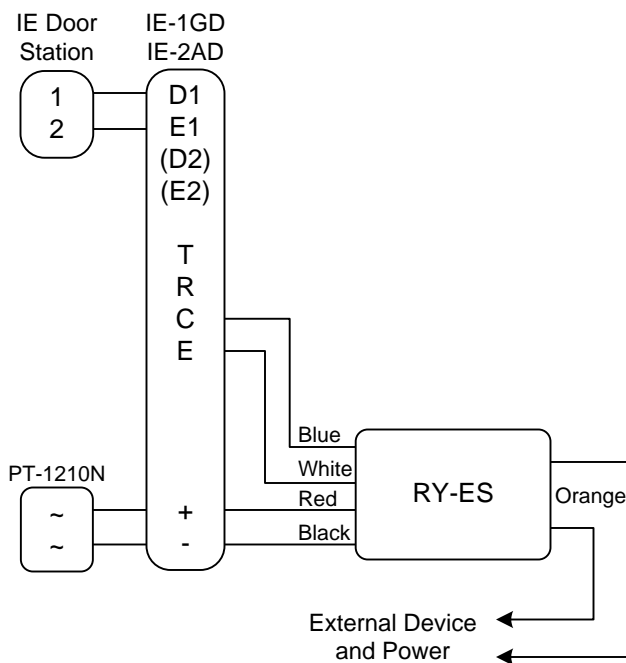
#### NEM System



#### DB System



#### IE System



### 4 SPECIFICATIONS

Power Source:	12-24V DC, 12-16V AC. Power supplied by master.
Current consumption:	DC: Standby 10mA. Max 120mA AC: Standby 15mA. Max 140mA
Contact rating:	125V AC 1.0A 30V DC 1.0A

## Free Manuals Download Website

<http://myh66.com>

<http://usermanuals.us>

<http://www.somanuals.com>

<http://www.4manuals.cc>

<http://www.manual-lib.com>

<http://www.404manual.com>

<http://www.luxmanual.com>

<http://aubethermostatmanual.com>

Golf course search by state

<http://golfingnear.com>

Email search by domain

<http://emailbydomain.com>

Auto manuals search

<http://auto.somanuals.com>

TV manuals search

<http://tv.somanuals.com>