

NIGHT SWITCH-OVER DEVICE

MODELS: NBJ-20 (for max. 20 station control)
 NBJ-40 (for max. 40 station control)
 NBJ-20B (for max. 20 station control)
 NBJ-40B (for max. 40 station control)

— INSTRUCTIONS —

DESCRIPTION

NBJ/NBJ-B night switch-over devices are designed for AIPHONE NEM/NEM-A Lamp Memory Intercom systems most suitably used in nursing homes, private clinics, schools and correction institutions, etc.

The calls from subs being answered by the master **A** in nurse center during daytime, can be routed via NBJ/NBJ-B unit to the master **B** during nighttime.

It may also be a popular application that a single master of one floor controls the subs of the other floor(s) during nighttime, while each master controls its subs separately during daytime.

NEM master unit mounts onto the NBJ unit and NEM-A master unit onto the NBJ-B unit.

SYSTEM COMPONENTS

- NBJ-20 Night switchover device for NEM-10 and NEM-20
 - NBJ-40 – do – for NEM-30 and NEM-40
 - NBJ-20B – do – for NEM-10A and NEM-20A
 - NBJ-40B – do – for NEM-30A and NEM-40A
- , along with the standard NEM-/NEM-A masters, subs and accessories.

INSTALLATION

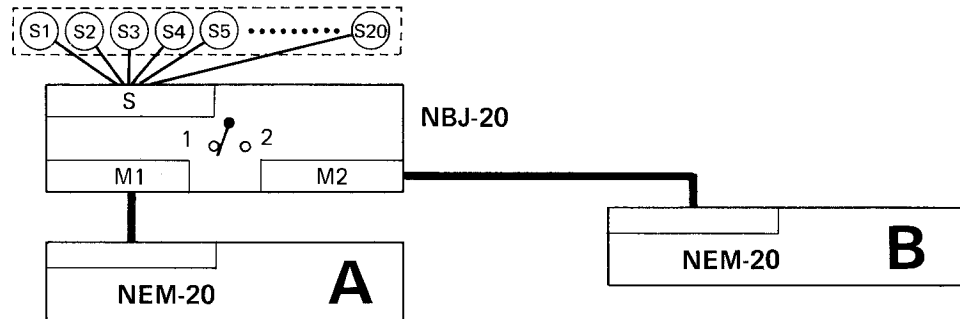
NBJ/NBJ-B units are desk-top use only. First, remove four screws on back of NEM/NEM-A master unit, and remove the sub chassis. Then, attach the NEM/NEM-A unit to the NBJ/NBJ-B unit, re-screwing at four points.

OPERATION

A rotary switch is provided on NBJ-20 and NBJ-20B units and two rotary switches on NBJ-40 and NBJ-40B units. Be sure that all the switches are set to either position 1 or 2 at a time.

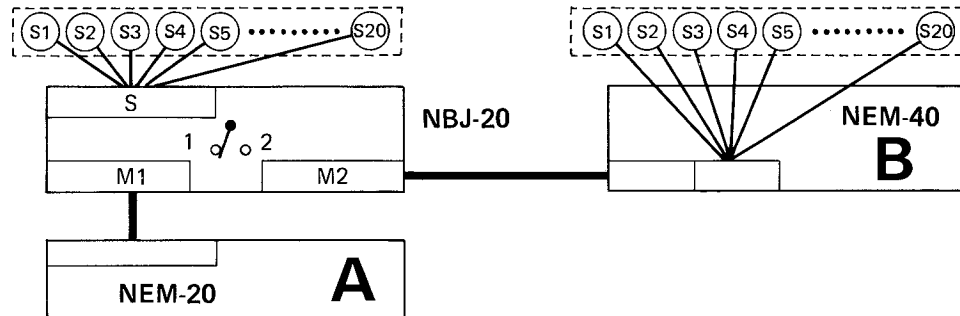
When the switch is set to 1 position, the subs wiring is connected to the master **A**, and by setting the switch to 2 position, the subs wiring is switched to the master **B** (See SYSTEM LAYOUT EXAMPLE # ①).

SYSTEM LAYOUT EXAMPLE # ①



The sub stations are controlled by the master **A** during daytime. After sub stations wiring is switched to 2 position, the master **B** takes responsibility during night.

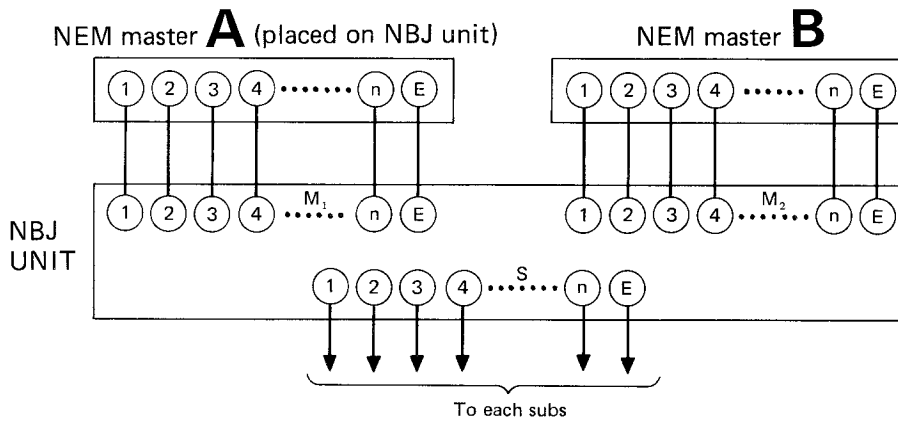
SYSTEM LAYOUT EXAMPLE # ②



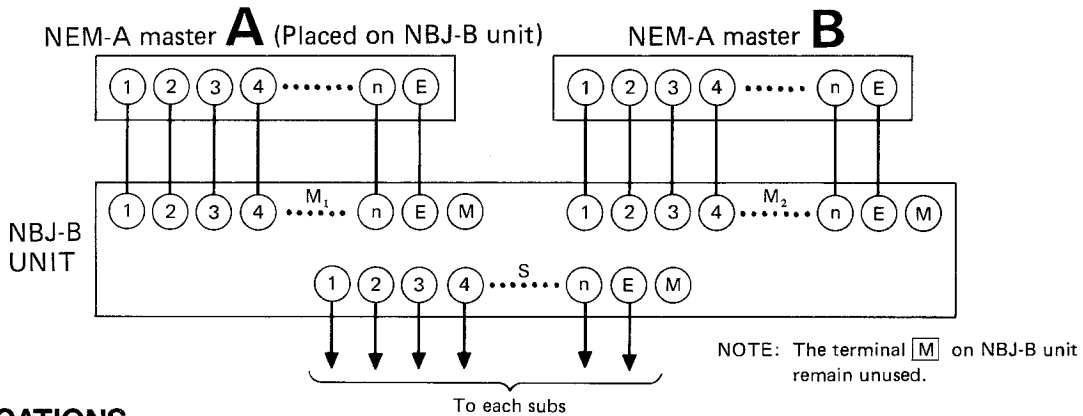
During daytime, NEM master **A** and **B** control communication with each subs separately. By setting switch from 1 to 2 position, NEM-40 (master **B**) can receive calls from all the forty sub stations during nighttime.

WIRING DIAGRAM

NEM SYSTEM WITH NBJ- NIGHT SWITCH-OVER DEVICE;



NEM-A SYSTEM WITH NBJ-B NIGHT SWITCH-OVER DEVICE;



SPECIFICATIONS

MODEL	SWITCH-OVER CAPACITY	DIMENSIONS W x H x D	WEIGHT	USED FOR
NBJ-20	Max. 20 stations	318 x 84 x 197 (12-1/2" x 3-5/16" x 7-3/4")	1.8 kgs. (4 lbs.)	NEM-10/20, Press-to-talk type. For table-top use ONLY.
NBJ-20B	Max. 20 stations	418 x 84 x 197 (16-7/16" x 3-5/16" x 7-3/4")	2.1 kgs. (4.6 lbs.)	NEM-10A/20A, Press-to-talk or Voice-activated. For table-top use ONLY.
NBJ-40	Max. 40 stations	468 x 84 x 197 (18-7/16" x 3-5/16" x 7-3/4")	2.5 kgs. (5.5 lbs.)	NEM-30/40, Press-to-talk type. For table-top use ONLY.
NBJ-40B	Max. 40 stations	568 x 84 x 197 (22-3/8" x 3-5/16" x 7-3/4")	3.0 kgs. (6.6 lbs.)	NEM-30A/40A Press-to-talk or Voice-activated. For table-top use ONLY.

WARRANTY

Aiphone warrants its products to be free from defects of material and workmanship under normal use and service for a period of one year after delivery to the ultimate user and will repair free of charge or replace at no charge, should it become defective upon which examination shall disclose to be defective and under warranty. Aiphone reserves unto itself the sole right to make the final decision whether there is a defect in materials and/or workmanship; and whether or not the product is within the warranty.

This warranty shall not apply to any Aiphone product which has been subject to misuse, neglect, accident, or to use in violation of instructions furnished, nor extended to units which have been repaired or altered outside of the factory.

This warranty does not cover batteries or damage caused by batteries used in connection with the product.

This warranty covers bench repairs only, and any repairs must be made at the shop or place designated in writing by Aiphone. Aiphone will not be responsible for any costs incurred involving on site service calls.

Aiphone Co., Ltd., Nagoya, Japan
Aiphone Corporation, Bellevue, Washington
NBJ-1-1286 ©

INTERCOM SYSTEMS
AIPHONE
HOME, BUSINESS, INDUSTRY

Free Manuals Download Website

<http://myh66.com>

<http://usermanuals.us>

<http://www.somanuals.com>

<http://www.4manuals.cc>

<http://www.manual-lib.com>

<http://www.404manual.com>

<http://www.luxmanual.com>

<http://aubethermostatmanual.com>

Golf course search by state

<http://golfingnear.com>

Email search by domain

<http://emailbydomain.com>

Auto manuals search

<http://auto.somanuals.com>

TV manuals search

<http://tv.somanuals.com>