



AL-KO
Garten+Hobby

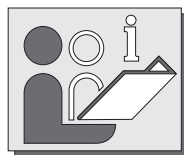
GB



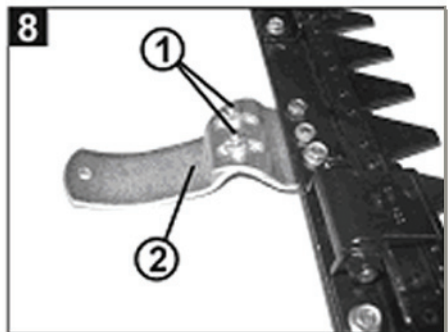
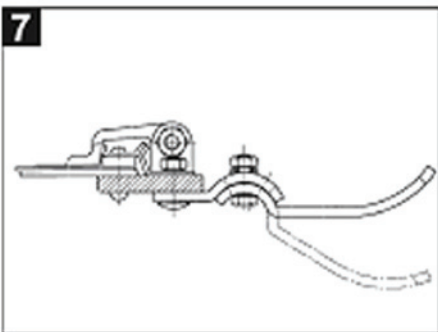
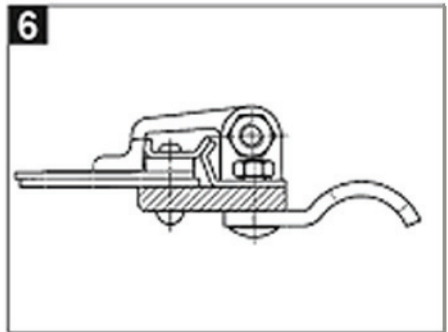
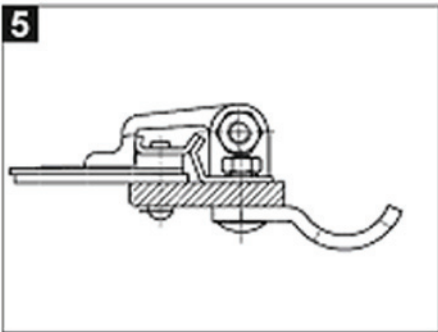
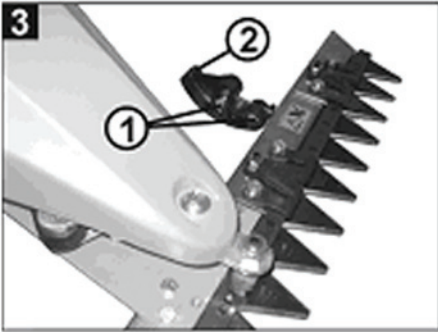
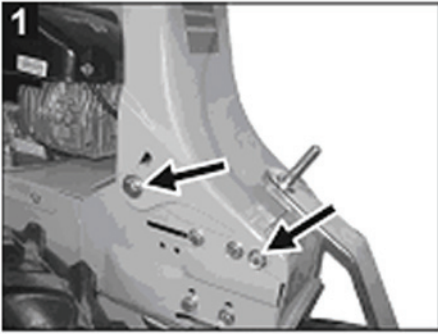
ДЛ 02

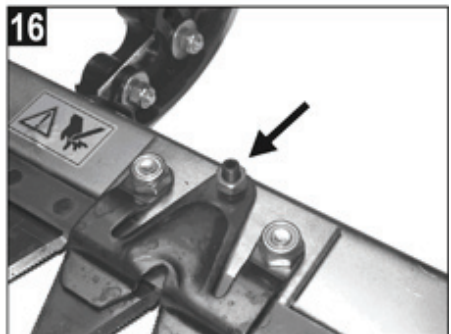
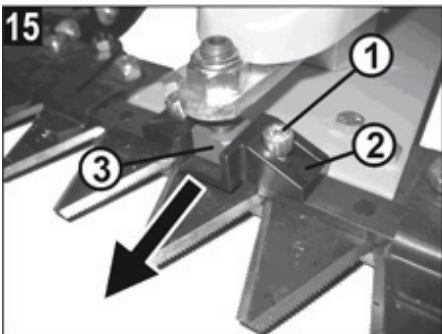
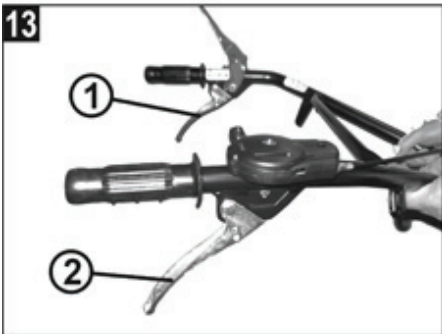
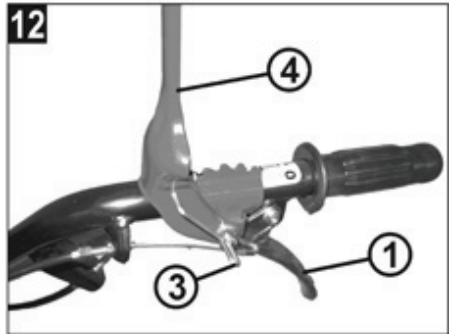
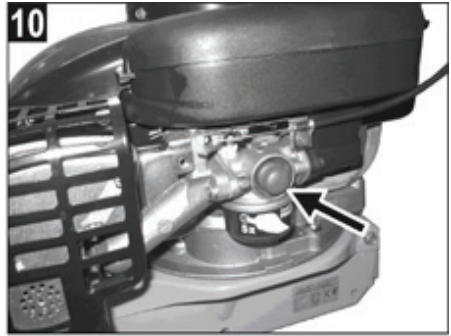


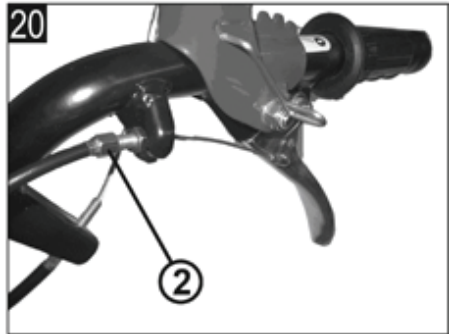
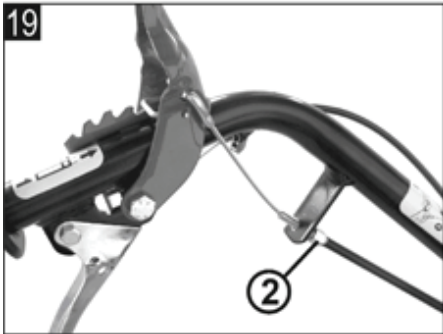
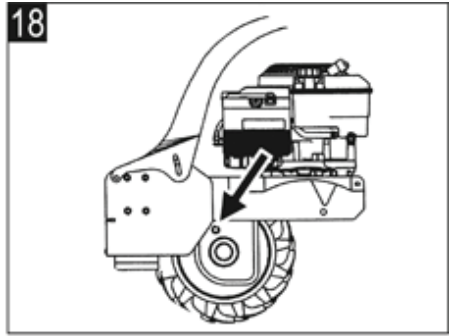
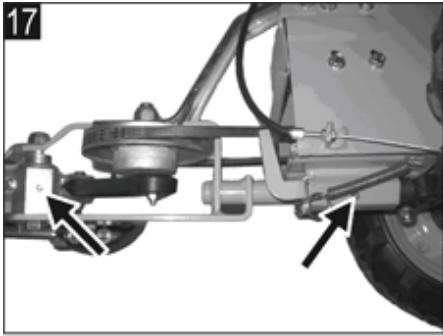
426 036
bcdef
2007



www.al-ko.com







⚠ Safety instructions ⚠

General comments

Read the operating instructions carefully. Familiarise yourself with the correct operation of the mower.

Keep the operating instructions for later use and for subsequent owners.

Follow the safety instructions and warnings on the mower.

Users

Children and juveniles under the age of 16 as well as anyone who has not read the operating instructions must not operate the mower. Local regulations may specify the minimum age.

Wear long, close-fitting trousers and sturdy, non-slip footwear.

Working area

Carefully check the whole area to be mown. Remove all foreign objects, such as stones, sticks, wires, bones, etc.

Do not use the mower if there are any persons (caution: children) or animals (including wildlife) in the working area.

Operating times

Comply with any national regulations regarding operating times for lawn mowers (noise prevention).

See the operating manual for operating times.

Use the mower only in daylight or if the working area is well illuminated.

Operation

Always make a visual inspection of the mower before using it. The mower must be in a safe operating condition.

Damaged or worn parts must be replaced immediately.

Use the mower only if it is in the technical condition stipulated by the manufacturer.

The person using the mower is responsible for any accidents involving other persons or their property.

Do not disable the safety or protective devices on the mower.

Do not start the engine if anyone is standing in front of the cutter bar – the cutter and wheel drives must not be engaged.

Use the mower on grassy areas only.

The cutter drive must be disengaged when the mower is not on a mowable surface.

The blade guard must be mounted on the cutter bar if the mower is transported or lifted.

Keep hands and feet away from rotating parts.

Never lift or carry the mower if the engine is running. Wait until the cutters have stopped moving, then pull off the spark plug connector.

The mower may only be used if the safety clearance determined by the handlebar is maintained.

Ensure that you have a secure footing.

Always mow across a slope.

Never mow up or down a slope or on slopes with an inclination greater than 10°.

Keep the exhaust and engine free of leaves, grass and spilt oil.

Do not leave the mower unsupervised – pull off the spark plug connector.



Warning!

Petrol is highly flammable!

Store petrol in designated containers only.

Refill with petrol outdoors only. Do not smoke while refilling!

Do not open the tank cap or refill with petrol while the engine is running or if the machine is hot.

Use a funnel or filling tube to refill petrol to prevent fuel being spilt onto the engine, the housing or on the ground.

If petrol has been spilt, do not start the engine. Clean the mower and do not restart the engine until the petrol vapours have dispersed.

For reasons of safety, replace a damaged petrol tank and/or tank cap.

⚠ Risk of burns!

The exhaust as well as the areas around the exhaust may be very hot.

Replace damaged mufflers.

Do not change the governor settings of the engine.

Never leave a combustion engine running in an enclosed space – **toxic hazard!**

Safety instructions for the cutter bar

Some of the blades on the cutter bar are bare. These can lead to serious injuries if they are not handled with care.

Always mount the blade guard on the cutter bar for the following:

- mounting the cutter bar onto the mower
- cleaning the mower
- during transport and storage of the mower
- during work on the cutter bar

Replace damaged blade guards.

Maintenance and storage

Before performing **any** work on the mower: switch off the engine, wait until the cutters have stopped moving and then pull off the spark plug connector.

Always wear safety gloves during work on the cutters.

If there is petrol in the tank, never store the mower in buildings where petrol vapours can come into contact with naked flames or sparks – **Risk of explosion!**

The petrol tank must be emptied outdoors only.

Allow the engine to cool before storing the mower in an enclosed space.

Do not spray the mower with water.

The mower must be repaired by an authorised specialist company only.

Spare parts and accessories

Use genuine spare parts and accessories only.

We reserve the right to make changes to the design and construction without prior notice.

Explanation of the symbols on the mower



Before using the mower for the first time, read the operating manual!



Keep other people out of the danger area!



Before working on the mower pull off the spark plug connector!



Keep hands and feet away from the blades!

Intended use

This mower is intended for use in private and hobby gardens only.

It must be operated with genuine accessories only (cutter bar, winter kit).

Non-permitted users:

Persons who are not familiar with the operating manual, as well as children, adolescents under the age of 16 and persons under the influence of alcohol, drugs or medication must **not** operate the mower.

Operating times:

Please comply with any municipal regulations on the operation of lawn mowers !

Monday – Saturday:	Sunday and public holidays:
7.00 – 12.00 a.m.	not permitted
3.00 – 7.00 p.m.	

Assembly


Assemble this mower in accordance with the separately enclosed assembly manual.


Environmental protection, disposal


The packaging material is made of recyclable materials. Dispose of the packaging materials in accordance with regulations.

Switching on the mower

Do not switch on the mower before it has been completely assembled.

 The number printed on the left before the text (e.g. **3**) refers to the diagrams.

 **Petrol engine:**
Before switching on the machine for the first time, full it up with oil and petrol!

 The operating manual supplied by the engine manufacturer for the petrol engine must be followed.

Drive gears:

Gear oil has been filled at the works.

Setting the handlebar height

1 Set the height of the handlebar according to the user's height.

The height is usually adjusted to hip level.

- Loosen the screws on the housing console.
- Set the height of the handlebars using the longitudinal holes.
- Retighten the screws.

2 Depending on the model, the handlebar can additionally be adjusted using the upper or lower height settings on the housing console.


Setting the cutting height

The cutting height is adjusted using the skids (2).

3 Standard cutter bar

steplessly adjustable cutting height up to approx. 6 cm

- Loosen nuts ①.
- Move the skids ② to the required height.
- Retighten the nuts.

 Both skids must be set to the same height !

4 ESM cutter bar**a) Mounting the skid holders as skids**

The cutter bar cuts close to the ground

5 • Mount the adjustable skid holders as shown in the illustration.
(the curved side points **downwards**).

b) Mounting adjustable skids


steplessly adjustable cutting height up to approx. 6 cm

6 • Mount the adjustable skid holders as shown in the illustration.
(the curved side points **upwards**).


7 • Mount the skids as shown in the illustration.

8 Setting the cutting height

- Loosen the nuts ① (2 nuts per skid).
- Move the skids ② to the required height.
- Retighten the nuts.

 Both skids must be set to the same height!

Starting the engine

 The clutch levers for the wheel and cutter drives must not be engaged when starting the engine!

9 Set the throttle lever to the << START >> position.

10 Press the primer button 3x with intervals of approx. 2 seconds.

If the temperature is below 10° C, press the primer button 5x.

If the engine is warm, do not press the primer button!

11 Quickly pull out the starter cable and then allow it to slowly rewind.

As soon as the engine is running, set the throttle lever between the "start" and "stop" positions according to the desired engine speed.

To start mowing, move the lever to the <START> position - (full throttle).

Switching on the cutter bar

12 Unlock the safety catch ③.

Fully depress the clutch lever ④ and hold it tight.


⚠ The cutters should begin to move only after the lever has travelled half the distance. Readjust the Bowden cable, if necessary – (see under: Adjusting the Bowden cables).


Engaging the wheel drive

12 Squeeze the clutch lever ① to the handlebar and hold tight.

⚠ The wheel drive should engage only after the lever has travelled half the distance. Readjust the Bowden cables, if necessary (see under: Adjusting the Bowden cables).

13 Model with forward and reverse gears

Clutch lever ① = forward wheel drive 

Clutch lever ② = reverse wheel drive 

⚠ Do not operate both clutch levers at the same time!

Only engage: forward wheel drive **or** reverse wheel drive at a time.

Disengaging the wheel drive

13 Release clutch lever ① or ②.

Switching off the cutter bar

12 Release clutch lever ④.

Switching off the engine

14 Move the throttle lever to the << STOP >> position.

Maintenance and servicing

⚠ Before carrying out any maintenance or cleaning work, pull off the spark plug connector!

Do not spray the mower with water. Water that enters the ignition system or the carburettor may lead to malfunctions. Clean the mower with a cloth, hand brush, etc.

i When the mower is tilted sideways and depending on the engine manufacturer the following part(s) **must point upwards!!!**

TECUMSEH: ← the carburettor/air filter
BRIGGS & STRATTON: ← the spark plug

See the operating manual from the engine manufacturer!

Cutter bar

Clean the cutter bar after every use, particularly the guidance and sliding surfaces. This means dismantling the cutter. Afterwards, oil all moving parts.
Use only biodegradable lubricants!

Dismounting the cutter from the cutter bar

a) Standard - cutter bar

- 15** • Remove screws ① – **⚠** spring washer and washer under the screw head!
- Pull out part ② forwards.

⚠ When remounting part ② – observe mounting direction – protruding lug must point forwards!

- **Loosening the cutter guides**
- 16** • Loosen hexagonal nut and unscrew the grub screw a little.
- Pull the cutter out sideways.
Remount in the reverse order.

15 **⚠** If the lateral play between part ② and part ③ (natural wear) is greater than **1mm**, both parts must be replaced!

- **Setting the cutting play**
- 16** • Screw in the grub screw by hand until you feel a resistance – then give it another ½ turn.
- Secure the grub screws with lock nuts.
- After setting, the cutters must still be freely movable by hand.

- Carry out a test mow – if the cutting power is insufficient, screw in the grub screw a little.

b) ESM cutter bar

- 15** • Remove screws ① –△ spring washer and washer under the screw head!
- Pull out part ② forwards.



When remounting part ② observe mounting direction – protruding lug must point forwards!

For further information on dismantling the cutter as well as maintenance of the cutter bar → see: the separate sheet: **ESM** –

Cutter Bar Universal SC

- 15** △ If the play between part (and part ((natural wear) is greater than 1mm, both parts must be replaced!

- 17** • Lubricate the cutter drive after every 8 operating hours using a commercial multi-purpose grease – 2 grease nipples

Resharpener and exchanging the cutter blades

Resharpener blunt blades with a suitable abrasive stone keeping the same cutting angle (approx. 35 – 40°). Dismount the cutters for this.

Worn or damaged blades must be replaced ⇒ customer service centre.

Expert inspection is required for the following:

- if the mower strikes an object
- if the engine stops suddenly
- if the cutter bar is bent
- if the gears are damaged
- if the V belt is defective

Drive gears

- 18** Check the oil level in the gearbox regularly
- Make sure the mower is horizontal.
 - Unscrew the oil plug.
 - Oil level: up to lower edge of filling opening
Top up with gear oil, if necessary.
 - Oil grade: gear oil SAE 80
 - Oil capacity for mowers with:
forward gear only: approx. 0.25 l
forward and reverse gear: approx. 0.50 l

Engine:

Changing the oil / air filter / spark plug

See the operating manual supplied by the engine manufacturer.

Adjustment of the Bowden cables

- 19** a) **Cutter bar** (without a lock nut)

- 20** b) **Wheel drive**

- loosen the lock nut
- use the adjusting screw ② to readjust

Correct setting:

The cutters and the wheel drive should only start to move after the lever has travelled half the distance.

- Retighten the lock nuts.

* * * * *

Warranty

We will rectify any material or production faults on the mower during the statutory period of limitation for claims based on defects in accordance with our choice of repair or replacement.

The period of limitation is determined by the laws of the country in which the mower was purchased.

Our warranty is only valid under the following conditions:

- The machine has been treated properly.
- The operating manual has been followed.
- Genuine spare parts have been used.

The warranty is void if:

- Attempts have been made to repair the machine.
- The machine has been modified.
- The machine has not been used as intended.
- Commercial or municipal use, etc.

The following items are excluded from the warranty:

- Paint damage due to normal wear.
- Natural wear and parts that are identified with a frame **XXX XXX (X)** on the spare parts card.
- Combustion engines – separate warranty conditions of the respective engine manufacturer apply.

In the event of a claim covered by the warranty, please contact your dealer or the nearest authorised customer service centre and present this warranty declaration and the sales receipt.

The statutory claims of the purchaser based on defects with respect to the seller shall remain unaffected by this guarantee undertaking.

Troubleshooting



Before carrying out any maintenance or cleaning work, pull off the spark plug connector!

Fault	Remedial action
Engine does not start	If the engine is cold: press the primer Full up with petrol Move the throttle lever to the start position Push the spark plug connector onto the spark plug Check the spark plug. Replace, if necessary Clean the air filter
Engine power reduced	Resharpener / replace the blades → customer service centre Clean the air filter
Inexact cut	Resharpener / replace the blades → customer service centre Readjust the cutting play
Cutter drive / wheel drive not functioning	Readjust Bowden cable V - belt defect → customer service centre

Faults that cannot be rectified with the aid of this table must be eliminated by an authorised workshop only (customer service centre).



- D Ausgediente Geräte nicht über den Hausmüll entsorgen!**
Verpackung, Gerät und Zubehör sind aus recyclingfähigen Materialien hergestellt und entsprechend zu entsorgen.
- GB Do not dispose of worn-out units through the household garbage!**
The appliance, its packaging and accessories are all produced from recyclable materials and must be disposed of accordingly.
- F Les appareils usagés ne doivent pas être mis au rebut avec les déchets ménagers!**
Les emballages, l'appareil et ses accessoires sont fabriqués en matériaux recyclables et sont à éliminer selon l'usage dans votre pays.
- I Non smaltire gli apparecchi usati con i rifiuti domestici!**
L'imballo, la macchina e gli accessori sono prodotti con un materiale che può essere riciclato e di conseguenza vanno smaltiti in modo appropriato.
- NL Geef het gebruikte apparaat niet met het huisvuil mee!**
De verpakking, het apparaat en de accessoires zijn van materiaal gemaakt dat hergebruikt kan worden. Lever uw bijdrage hiervoor.
- E ¡No elimine las máquinas fuera de uso con los residuos domésticos!**
Los embalajes, la máquina y los accesorios están fabricados con materiales reciclables y deben desecharse adecuadamente.
- P A eliminação de aparelhos usados não deve ser feita através da recolha de lixo normal!**
A embalagem, o aparelho e seus acessórios são fabricados com materiais recicláveis, devendo ser adequadamente eliminados como lixo reciclável.
- H A kiselejtezett gépet ne dobja a háztartási szemébe!**
A csomagolás, a gép és a tartozékok anyagai újrahasznosíthatók. Hulladékként történő kezelésüket ennek megfelelően kell végezni.
- PL Nie usuwać zużytych urządzeń z odpadami domowymi !**
Opakowanie, urządzenie i wyposażenie wykonano z materiałów nadających się do recyklingu, należy je zutylizować w odpowiedni sposób.
- CZ Přístroje, které již dosloužily, nelikvidujte v domácím odpadu!**
Balení, přístroj a příslušenství jsou z recyklovatelných materiálů a musí se likvidovat předepsaným způsobem.
- SK Opatrované prístroje nelikvidujte cez domový odpad!**
Obal, prístroj a príslušenstvo sú vyrobené z recyklovateľných materiálov a je potrebné ich zodpovedajúco likvidovať.
- RUS Отслужившие срок приборы не выбрасывать с бытовым мусором!**
Упаковка, прибор и принадлежности изготовлены из материалов, пригодных для вторичного использования, и поэтому должны утилизироваться соответствующим образом.
- GR Μην πετάτε τις μεταχειρισμένες συσκευές στα οικιακά απορρίμματα!**
Η συσκευασία, η συσκευή και τα εξαρτήματα έχουν κατασκευαστεί από ανακυκλώσιμα υλικά και αποσύρονται ανάλογα.
- TR Hizmetini doldurmuş aletleri ev çöpüne yok etmeyiniz!**
Ambalaj, Alet ve Teçizatlar yeniden değerlendirilebilir malzemelerden yapılmıştır ve buna uygun olarak yok edilmelidir
- DK Udtjente maskiner må ikke bortskaftes sammen med normalt husholdningsaffand!**
Emballagen, maskinen og tilbehøret er fremstillet af genbrugelige materialer og skal bortskaftes tilsvarende.
- S Släng inte uttjänta maskiner med hushållssoptorna!**
Förpackning, maskin och tillbehör är tillverkade av återvinningsbara materialier och måste omhändertas i enlighet därmed.
- N Ikke kast utgåtte maskinen sammen med husholdningsavfallet!**
Emballasje, maskinen og tilleggsutstyr er tilvirket ved hjelp av gjenbruksmateriale, og skal avfallsorteres som gjenbruksmateriale.
- FIN Älä hävittää käytöstä poistettuja laitteita talousjätteen mukana!**
Pakkaus, laite ja lisätarvikkeet on valmistettu kierrätyskelppoisista materiaaleista, ja ne on hävitettävä asianmukaisella tavalla.

Land	Firma	Tel	Fax
A	AL-KO Kober Ges.m.b.H.	(+43) 3578/2515227	(+43) 3578/251538
AUS	AL-KO International PTY. LTD	(+61) 3/9767-3700	(+61) 3/9767-3799
B	Eurogarden NV	(+32) 16/805427	(+32) 16/805425
CH	AL-KO Kober AG	(+41) 56/4183150	(+41) 56/4183160
CZ	AL-KO Kober Spol.sr.o.	(+420) 382/210381	(+420) 382/212782
D	AL-KO Geräte GmbH	(+49) 8221/203-0	(+49) 8221/203-138
DK	AL-KO Ginge A/S	(+45) 98 82 10 00	(+45) 98 82 54 54
E	ANMI	(+34) 93/3002618	(+34) 93/3001769
F	AL-KO S.A.S.	(+33) 3/85-763540	(+33) 3/85-763588
GB	Rochford Garden Machinery Ltd.	(+44) 1963/828050	(+44) 1963/828052
H	AL-KO KFT	(+36) 29/537050	(+36) 29/537051
HR	Brun.ko.-prom d.o.o.	(+385) 1 3096 567	(+385) 1 3096 567
I	AL-KO Kober GmbH / SRL	(+39) 039/9 329311	(+39) 039/9329390
L	Bobinage Back	(+352) 507622	(+352) 504889
LV	AL-KO Kober SIA	(+371) 7/409330	(+371) 7807018
N	AL-KO GINGE A/S	(+47) 64 86 25 50	(+47) 64 86 25 54
NL	Mechatechnik B.V.	(+31) 18/2567824	(+31) 18/2533895
PL	AL-KO Kober z.o.o.	(+48) 61/8161925	(+48) 61/8161980
RO	OMNITECH TRADING SA	(+4) 021 326 36 72	(+4) 021 326 36 79
RUS	OOO AL-KO Kober	(+7) 095/1688716	(+7) 095/1623238
RUS	AL-KO St. Petersburg GmbH	(+7) 812/4461084	(+7) 812/4461084
S	AL-KO Ginge Svenska AB	(+46) (0)31 573 580	(+46) (0)31 575 620
SK	AL-KO Kober Slovakia Spol.s.r.o.	(+421) 2/45994112	(+421) 2/45648117
SLO	SERVIS HUDOBIVNIK	(+386) 4 2046884	(+386) 4 2049730
TR	ZIMAS A.S.	(+90) 232 4580586	(+90) 232 4572697
UA	TOV AL-KO Kober	(+380) 44/4923396	(+380) 44/4923397

Stand 06/2007

AL-KO Geraete GmbH
Head Quarter
Ichenhauser Str. 14
89359 Koetz
Deutschland
Telefon: (+49)8221/203-0
Telefax: (+49)8221/203-138
www.al-ko.com



AL-KO
Garten+Hobby



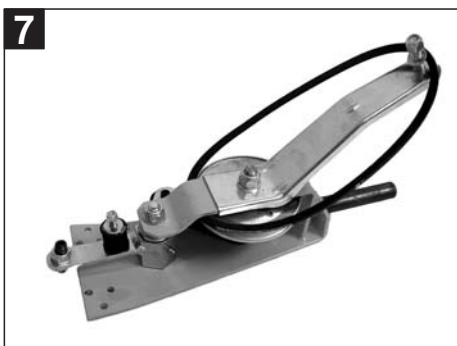
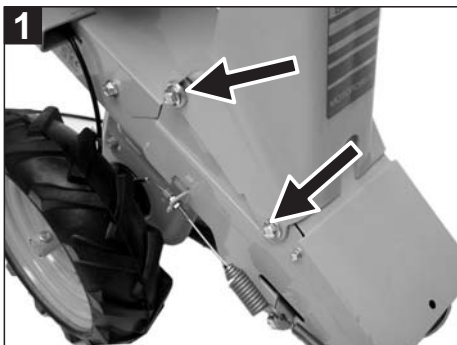
- D
- GB
- F
- I
- NL
- E
- H
- PL
- CZ
- SK
- SLO
- RUS
- S
- N
- DK
- FIN

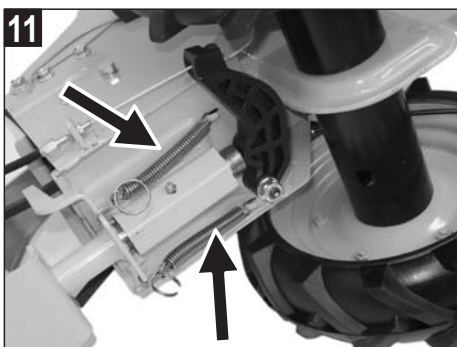
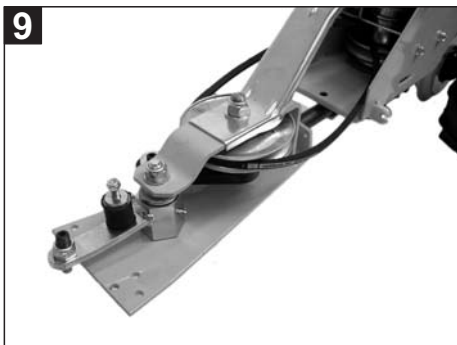


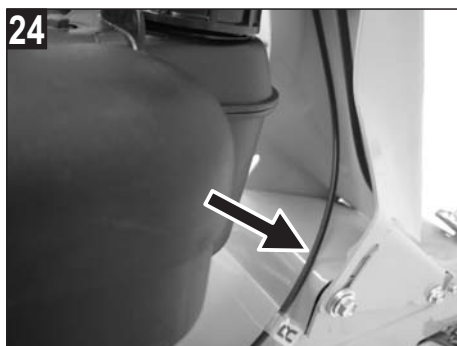
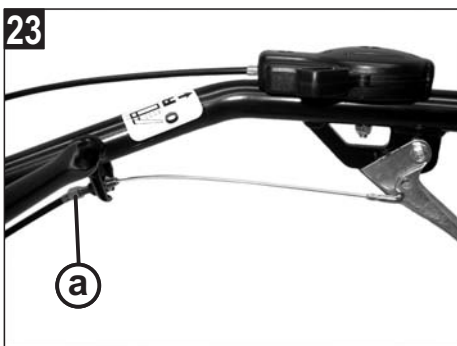
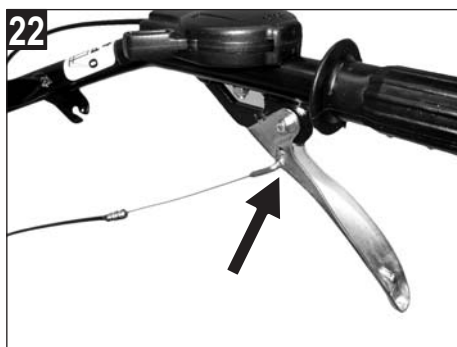
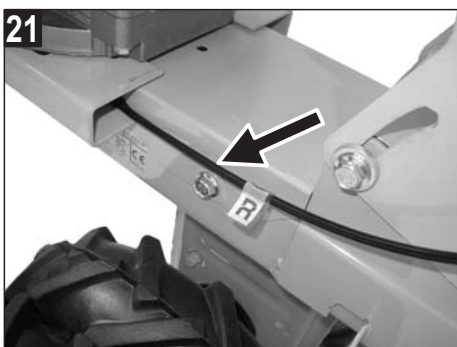
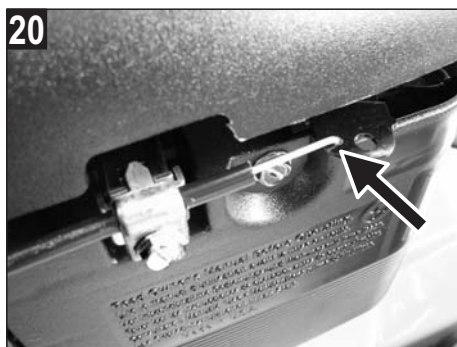
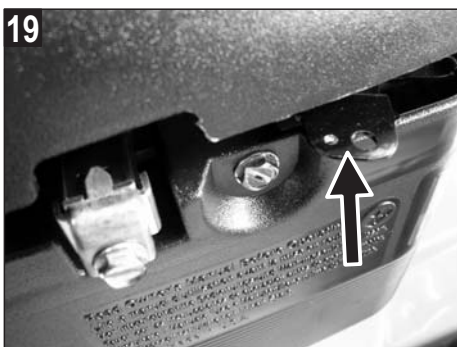
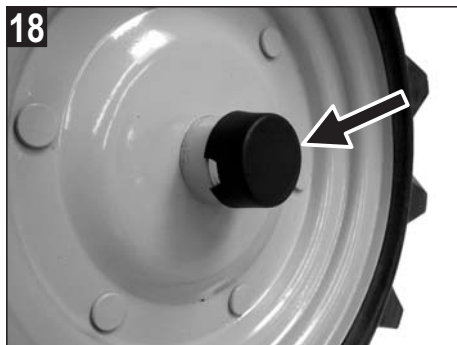
D12 431
a b c d e f
2006

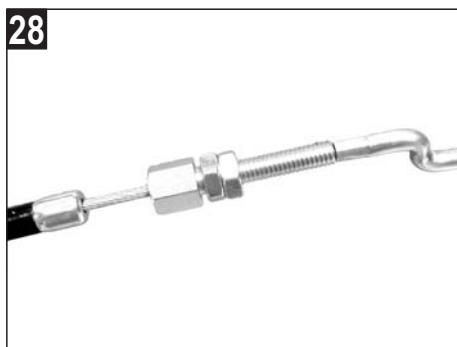
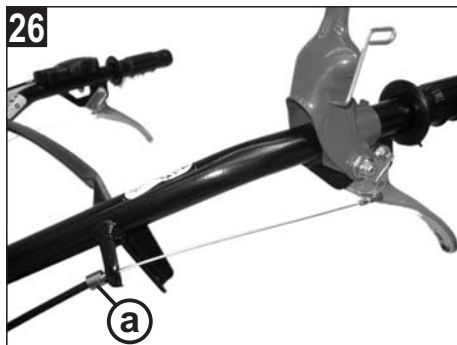


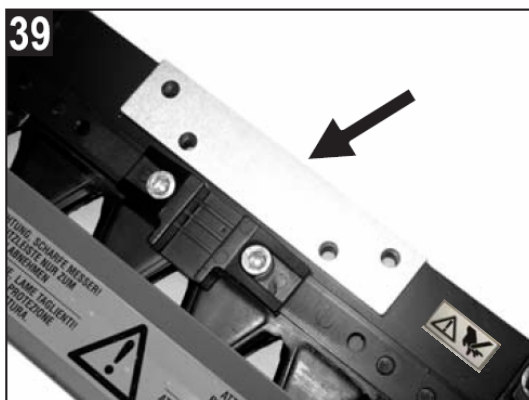
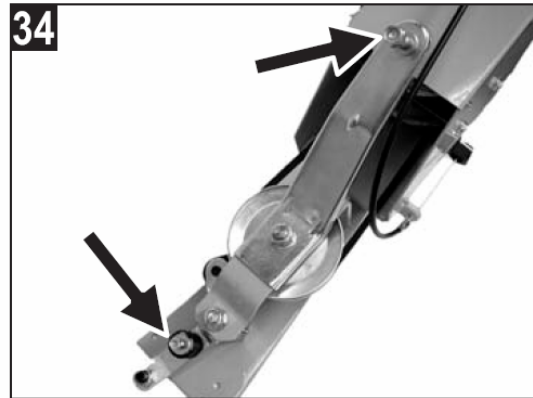
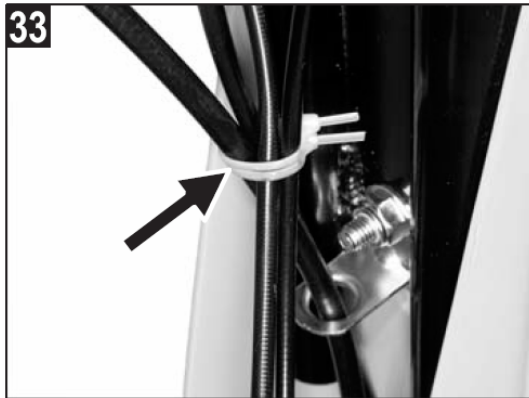
www.al-ko.com

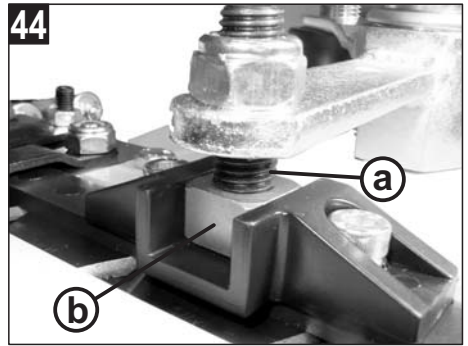
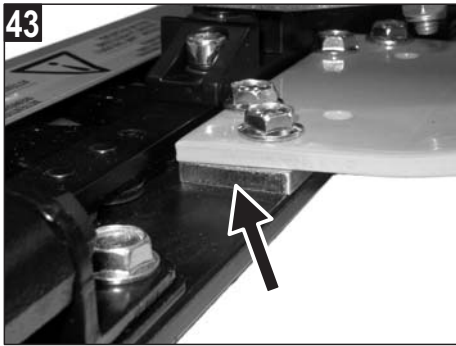
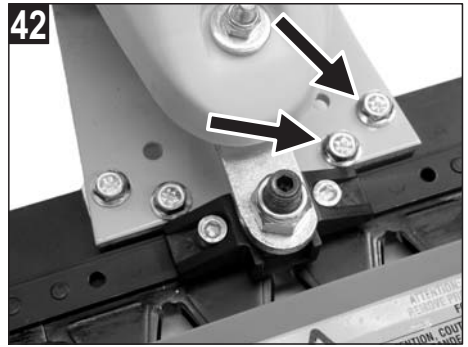
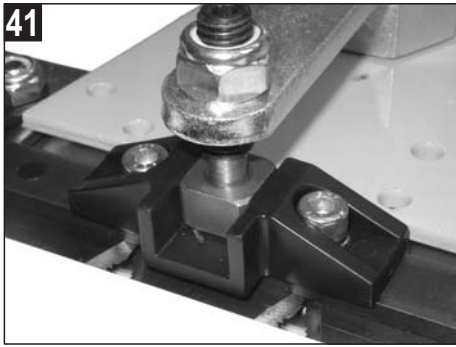












Assembly

BM 5001-R (B&S)



Fill the mower with engine oil and petrol only after it has been completely assembled!
Pull off the spark plug connector before starting the assembly!



The number printed on the left before the text (e.g. **3**) refers to the diagrams.

- 1 2** Loosen screws and rotate handlebar console upwards – retighten screws.

Assembly of handlebars on console

- 3** Handlebars
- 4** Mount handlebars on console.
Hexagonal screw M8 x 25 - (2x)
Hexagonal nut M8 self-locking - (2x)
Bowden cable guide - (1x)
- 5** The handlebars can be set to the user's height by attaching them to the lower or upper position.
- 6** Mount the Bowden cable guide together with the lower screw - tighten the nuts.

Assembly of blade holder

- 7** Blade holder
- 8** Mounting bush on the housing to accommodate the blade holder.
- 9** Lightly grease the mounting bush and insert the blade holder.
- 10** Fully insert the blade holder and place the V belt around the pulley.



Place the V belt around the lower pulley in the housing.

Assembly of recoil springs

- 11 12** • Place the mower on its side.
• Hook in the recoil springs (2x).

Assembly of the double wheels



Carry out the following steps on both drive wheels.

- 13** Remove screw
hexagonal screw M8 x 45
hexagonal nut M8 self-locking
- 14** • Mount axle extender
• Re-insert screw and retighten nut.
- 15** Push the wheel onto the axle extender
- 16** Check the orientation of the wheel – the tyre profiles should form a **V** viewed in the direction of travel.
- 17** Secure wheel with nut
Washer Ø 10 x Ø 35 x 5
Hexagonal nut M10 self-locking
- 18** Press on protective cap

Assembly of Bowden cables

a) Bowden cable for throttle

- Set the throttle lever on the right-hand handlebar to the << START >> position.
- 19** Push the governor lever on the carburettor completely to the left (= start position).
- 20** • Insert the angled end of the Bowden cable wire into the governor lever.
• Insert the Bowden cable sheath in the clip
• Gently push back the Bowden cable sheath by hand until a resistance can be felt.
Clamp the Bowden cable sheath in this position.
- Do not kink the Bowden cable during assembly.

b) Bowden cables for the wheel drive

i This mower has a forward drive and a reverse drive.

1.) Bowden cable for reverse drive

21 The Bowden cable for the reverse drive comes out of the housing below the engine on the right (viewed in the direction of travel) and is additionally labelled **R**.

22 Insert the bent hook of the **R** Bowden cable into the lower hole on the inward side of the right-hand handlebar lever.

23 • Unscrew the foremost nut on the adjuster "a".
• Insert the adjuster in the holder and retighten the nut.

24 Lay the Bowden cable along the inner side of the handlebar console.

i Correct adjustment of the Bowden cable: see under: "Adjustment of Bowden cables" in the operating manual of the mower.

2.) Bowden cable for forward drive

25 The Bowden cable for the forward drive is on the right side of the housing viewed in the direction of travel.

26 • Insert the bent hook of the Bowden cable into the lower hole on the outward side of the left-hand handlebar lever.
• Insert the Bowden cable sleeve "a" into the holder on the handlebars.

27 Adjust the lower end of Bowden cable on the housing to the correct setting. See under: "Adjustment of Bowden cables" in the operating manual of the mower.

c) Bowden cable for cutter bar

The Bowden cable for the cutter bar is on the left side of the housing viewed in the direction of travel.

28 Screw back both nuts on the upper Bowden cable adjuster all the way.

29 Thread the Bowden cable through the console.

30 Thread the Bowden cable through guide on the console.

31 Thread the bent hook through the hole in the holder and push the adjuster up to the holder. There is no insertion slit on the holder!

32 • Insert the bent hook through the red handlebar lever.
• Set the lower adjuster on the housing to its middle position.

i Correct adjustment of the Bowden cable: See under: "Adjustment of Bowden cables" in the operating manual of the mower.

33 Bind the Bowden cables together with a cable tie on the inner side of the console.

Protective cover

34 Remove the nuts and washers on the blade holder.

35 Mount the protective cover and tighten the nuts.



Do not completely tighten the upper nut (width across flats 19 mm).

36 Mount the protective cap on the rear of the housing and secure with a hexagonal drilling screw \varnothing 4.8 x 16 (1x) and washer \varnothing 5 (1x).

Cutter bar

i The cutter bar is not included in the scope of delivery!

Carry out the following steps to mount the ESM cutter bar.

Please observe the safety information and maintenance instructions from the manufacturer of the cutter bar.

! Mount the blade guard on the cutter bar and wear safety gloves!

37 Assembly parts (supplied with the scythe mower):

- 1x Guide (plastic)
- 1x Drive dog
- 2x Allen screw M8 x 14
- 2x Washer Ø 8
- 2x Spring washer Ø 8
- 1x Mounting plate
- 4x Hexagonal screw M8 x 25

38 Screw the guide centrally onto the cutter bar.

- Allen screw M8 x 14 - (2x)
- Spring washer Ø 8 - (2x)
- Washer Ø 8 - (2x)

! Pay attention to its orientation – the protruding lug must point towards the cutting blades.

The spring washer must lie underneath the screw head!

39 Place the mounting plate on the cutter bar.

40 Align the cutter bar on the blade holder in the attachment position - align the drive dog on the centre of the blade holder (turn the V-belt pulley for this).

i Lightly grease the drive dog before mounting.

- 41** • Lift the scythe mower by the blade holder so that the drive dog can be inserted into the guide.
- Lower the mower again and insert the headless screw into the drive dog.

42 43 Screw the cutter bar and blade holder together.
Hexagonal screw M8 x 25 (4x)

! The mounting plate must be inserted between the cutter bar and the blade holder!

44 There must be a gap of approx. 1 mm between the start of the thread of the headless screw "a" and the drive dog "b". Adjust the headless screw correspondingly.

- **Assembly of the skids on the cutter bar**
See the Operating Manual.



BM 5001 R (B&S) Art.Nr. 112 431

	ca.140cm x 95cm x (101cm/112cm)
	ca. 69 kg
	91cm / 102cm
	3,7 kW 3600 ⁻¹
	4.00 - 6
	ca. 2,25 km/h
	L_{WA} 102 dB(A)
	a_{vhw} 5,4m/s ²

D- EG-Konformitätserklärung
F- Déclaration de conformité CE
NL- EC-verklaring van conformiteit
H- EU egyebhangzósági nyilatkozat
CZ- Prohlášení o shodě s EU
N- EF-Konformitetserklæring
DK- EF-Overensstemmelseserklæring
RUS- Заявление о соответствии нормам ЕС

GB- EC Declaration of Conformity
I- Dichiarazione di conformità CE
E- Declaración de conformidad de la CE
PL- Oświadczenie zgodności EWG
SK- Prehlásenie ES o konformite
S- EG-konformitetsförklaring
FIN- EU-yhdenmukaisuusilmoitus
SLO- Izjava o konformnosti s priporočili EU



Wir / We / Nous / Noi / Wij / Nosotros / Mi / My / Prohlašujeme / Vi / Me / Мы:

ALKO Geräte GmbH Ichenhauserstraße 14 D 89 359 Kötz Германия

erklären, dass die Maschine / declare that the machine / déclarons que la machine / dichiariamo che la macchina /
 verklaren dat de machine / declaramos que la máquina / kijelentjük, hogy az alábbi gép /
 oświadczyć, że maszyna ta w postaci / že stroj / prehlasujeme, že stroj / erklærer, at maskinen /
 förklarar, att denna maskin / ilmoitamme, että kone / заявляем, что данный продукт /
 izjavljamo, da stroji:

Balkenmäher	Cutter bar mower	Faucheuse à barre de coupe
Motofalciatrice	Balkmaaier	Motosegadora
Homloklövőíró	Slámaskin	Slättermaskin
Grasslámaskine	Nittokone	

Typ / Type / Tipo / del tipo / típus / typu / Tyyppi / Тип / Tip: **BM 870 II BM 875 II BM 5001 R**

chnittbreite / Cuttingwidth / Largeur de coup/Larghezza di taglio / Maalbreedte / Ancho de corte / Klippebredde / Snittbredd / Leikkausveys /
 Vágási szélesség / šířka řezu / Szerokość cięcia / Ширина среза /
 Širina reza: **87 cm 87 cm 91/102 cm**

mit folgenden EG-Richtlinien übereinstimmt / conforms to the specifications of the following EC directives /
 st conforme aux spécifications des directives CE suivantes / è conforma alle seguenti direttive CE / overenstemt met de volgende
 CE-richtlijnen / Cumple las siguientes directrices de la CE / megfelel a következő EK-direktívákna / odpowiada
 następującym watacznym EWG / odpovídá následujícím směrnici EU / zodpovedá nasledujúcim smerniciam ES / er i samsvar
 med følgende EF-direktiver / stammer överens med följande EG-direktiv / stemmer over ens med følgende EF-direktiver /
 vastaa seuraavia EU-direktiivejä / соответствует следующим требованиям ЕС-директивы / ustrežjo naslednjim priporočilom EU:
98/37/ EG, 89/336/EWG,

egebenenfalls angewendete Normen / Where appropriate applied standards / Le cas échéant, standards appliqués/ norme eventualmente
 applicate/ toegepaste normen, indien van toepassing / normas eventualmente aplicadas / Применены соответствующие нормативы /
 uproštevani standardi, če je to potrebno:
EN 12733, EN ISO 14982

Kötz	19.12.2005	De Filippo	Geschäftsleitung
Ort / Place / Lieu /	Datum / Date / Data /	Unterschrift / Signature / Firma	Beauftragter / Representative / Délégué /
Località / Plaats /	Dátum / Dato /	Handtekening / Aláírás / Podpis	Responsabile / Gemachtigd / Delegado /
Localidad /	Datã:	Underskrift / Signatur / Aika	Meghatalmazott / Zlecenioborca /
Helyiség /		Подпись / Podpis:	Představitel / Zodpovedný / Representant /
Miejscowość /			Representat / Autoriseret repræsentant /
Miesto / Sted / By /			Valtutettu / Уполномоченный /
Paikka / Место / Kraj:			Probaščenec:

Land	Firma	Tel	Fax
A	AL-KO Kober Ges.m.b.H.	(+43) 3578/2515227	(+43) 3578/251538
AUS	AL-KO International PTY. LTD	(+61) 3/9767-3700	(+61) 3/9767-3799
B	Eurogarden NV	(+32) 16/805427	(+32) 16/805425
CH	AL-KO Kober AG	(+41) 56/4183150	(+41) 56/4183160
CZ	AL-KO Kober Spol.sr.o.	(+420) 382/210381	(+420) 382/212782
D	AL-KO Geräte GmbH	(+49) 8221/203-0	(+49) 8221/203-138
DK	AL-KO Ginge A/S	(+45) 98/82-1000	(+45) 98/82-5454
E	ANMI	(+34) 93/3002618	(+34) 93/3001769
F	AL-KO S.A.S.	(+33) 3/85-763540	(+33) 3/85-763588
GB	Rochford Garden Machinery Ltd.	(+44) 1963/828050	(+44) 1963/828052
H	AL-KO KFT	(+36) 29/537050	(+36) 29/537051
I	AL-KO Kober GmbH / SRL	(+39) 039/9 329311	(+39) 039/9329390
LV	AL-KO Kober SIA	(+371) 7/409330	(+371) 7807018
N	AL-KO GINGE A/S	(+47) 64/862550	(+47) 64/862554
NL	Mechatechnik B.V.	(+31) 18/2567824	(+31) 18/2533895
PL	AL-KO Kober z.o.o.	(+48) 61/8161925	(+48) 61/8161980
RUS	OOO AL-KO Kober	(+7) 095/1688716	(+7) 095/1623238
RUS	AL-KO St. Petersburg GmbH	(+7) 812/4461084	(+7) 812/4461084
S	AL-KO Ginge Svenska AB	(+46) 31/573580	(+46) 31/575620
SK	AL-KO Kober Slovakia Spol.sr.o.	(+421) 2/45994112	(+421) 2/45648117
SLO	Merkur d.d.	(+386) 42588290	(+386) 42588805
UA	TOV AL-KO Kober	(+380) 44/4923396	(+380) 44/4923397

Stand 11/2005

AL-KO Geraete GmbH
 Head Quarter
 Ichenhauser Str. 14
 89359 Koetz
 Telefon: (+49)8221/203-0
 Telefax: (+49)8221/203-138
 www.al-ko.com

Free Manuals Download Website

<http://myh66.com>

<http://usermanuals.us>

<http://www.somanuals.com>

<http://www.4manuals.cc>

<http://www.manual-lib.com>

<http://www.404manual.com>

<http://www.luxmanual.com>

<http://aubethermostatmanual.com>

Golf course search by state

<http://golfingnear.com>

Email search by domain

<http://emailbydomain.com>

Auto manuals search

<http://auto.somanuals.com>

TV manuals search

<http://tv.somanuals.com>