

aiwa

CR-LA35

RADIO RECEIVER

OPERATING INSTRUCTIONS

AIWA CO.,LTD.

 <http://www.aiwa.co.jp>

8B-RCE-902-01
010626ATA-OX

ENGLISH

PRECAUTIONS

To maintain good performance

Do not use the unit in places which are extremely hot, cold, dusty or humid.

In particular, do not keep the unit:

- in a high humidity area such as a bathroom
- near a heater
- in an area exposed to direct sunlight (inside a parked car, where there could be a considerable rise in temperature)

Notes on listening with the headphones

- Listen at moderate volumes to avoid hearing damage.
- Do not wear the headphones while driving or cycling. It may create a traffic hazard.
- You should use extreme caution or temporarily discontinue use in potentially hazardous situations, such as walking, jogging, etc.
- Wear them properly: L is left, R is right.

TO INSERT DRY CELL BATTERY

→ **A**

Insert an R03 (size AAA) battery with the **+** and **-** marks properly aligned.

- You can fix the unit with the clip **a**.

Battery replacement

Replace the battery when the sound becomes distorted.

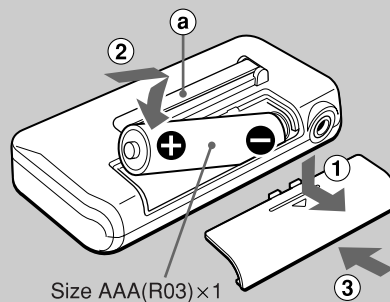
Battery life (EIAJ 0.2 mW)

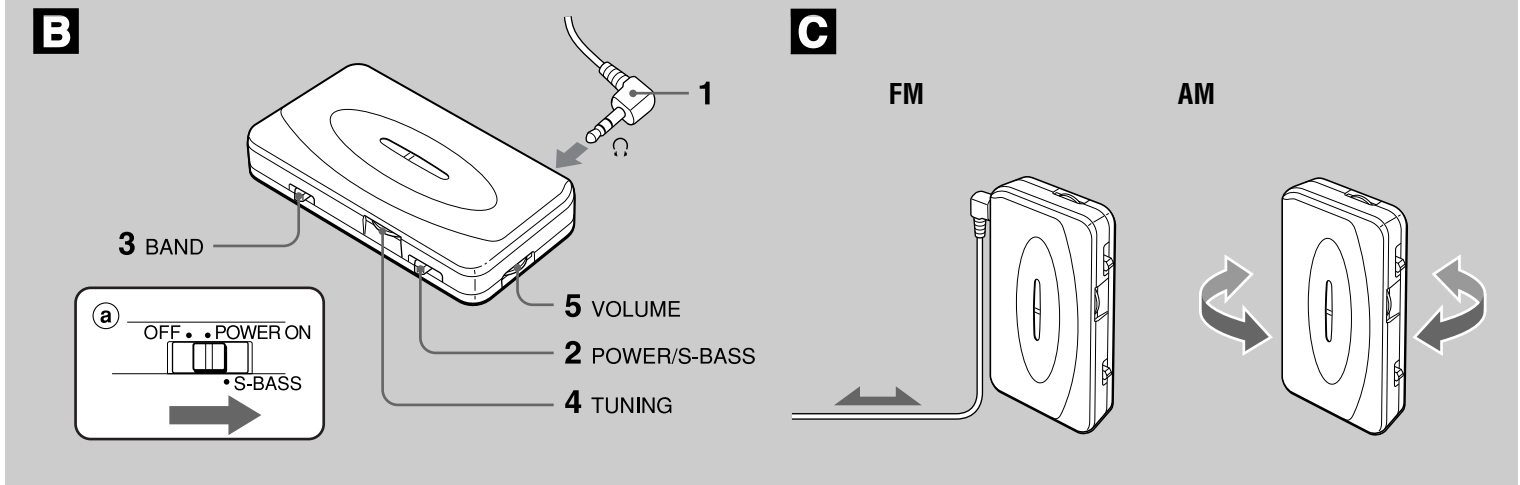
Batteries	LR03 alkaline	R03 manganese
AM	Approx. 48 hours	Approx. 24 hours
FM	Approx. 42 hours	Approx. 20 hours

Notes on dry cell battery

- Make sure that the **+** and **-** marks are correctly aligned.
- Never recharge the battery, apply heat to it or take it apart.
- When not using the battery, remove it to prevent needless wear.
- If liquid leaks from the battery, wipe thoroughly to remove.

A





ENGLISH

RADIO RECEPTION → **B**

- 1 Connect the supplied headphones to the jack.
- 2 Set the POWER/S-BASS switch to ON.
- 3 Select AM or FM ST (stereo).
- 4 Turn the TUNING control to tune in to a station.
- 5 Adjust the volume.

After listening

Set the POWER/S-BASS switch to OFF to turn off the power.

To obtain powerful heavy bass → **a**

Set the POWER/S-BASS* switch to S-BASS to emphasize the low frequencies.

*SUPER BASS

For better reception → **C**

FM: The headphones cord functions as the FM antenna. Keep it extended.

AM: Turn the unit to find the position which gives the best reception.

MAINTENANCE

To clean the cabinet

Use a soft cloth lightly moistened with a mild detergent solution.

Do not use the strong solvents such as alcohol, benzine or cleaner.

SPECIFICATIONS

Frequency range	FM: 87.5 – 108 MHz AM: 530 – 1,605 kHz
Maximum output	7 mW + 7 mW (EIAJ 32 ohms)
Power source	DC 1.5 V using an R03 (size AAA) battery
Output	Headphones jack (Stereo mini jack)
Maximum outside dimensions	80.0 (W) × 40.8 (H) × 15.6 (D) mm (excluding projecting parts and controls)
Weight	Approx. 42 g (excluding battery)
Accessories	Stereo headphones (1)

The specifications and external appearance of this unit are subject to change without notice.

Free Manuals Download Website

<http://myh66.com>

<http://usermanuals.us>

<http://www.somanuals.com>

<http://www.4manuals.cc>

<http://www.manual-lib.com>

<http://www.404manual.com>

<http://www.luxmanual.com>

<http://aubethermostatmanual.com>

Golf course search by state

<http://golfingnear.com>

Email search by domain

<http://emailbydomain.com>

Auto manuals search

<http://auto.somanuals.com>

TV manuals search

<http://tv.somanuals.com>