

# aiwa

# FR-C300 U

RADIO RECEIVER

## OPERATING INSTRUCTIONS INSTRUCCIONES DE MANEJO MODE D'EMPLOI

## AIWA CO.,LTD.

8B-RTD-901-01  
001109AYO-OX  
Printed in Hong Kong



### Explanation of Graphical Symbols:



The lightning flash with arrowhead symbol, within an equilateral triangle, is

ENGLISH

### WARNING

TO REDUCE THE RISK OF ELECTRIC SHOCK, DO NOT EXPOSE THIS APPLIANCE TO RAIN OR MOISTURE.

### PRECAUTIONS

All the safety and operating instructions should be read before the appliance is operated. The safety and operating instructions should be retained for future reference. All warnings and cautions on the appliance and in the operating instructions should be adhered to. And all operating and use instructions should be followed, as well as the safety suggestions below.

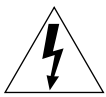
#### Installation

- 1 Water and moisture** — Do not use this unit near water, such as near a bathtub, washbowl, swimming pool, or the like.
- 2 Heat** — Do not use this unit near sources of heat, including heating vents, stoves, or other appliances that generate heat. It also should not be placed in temperatures less than 5°C (41 °F) or greater than 35°C (95°F).
- 3 Mounting surface** — Place the unit on a flat, even surface.
- 4 Ventilation** — The unit should be situated with adequate space around it so that proper heat ventilation is assured. Allow 10 cm (4 in.) clearance from the unit.
  - Do not place the unit on a bed, rug, or similar surface that may block the ventilation openings.
  - Do not install the unit in a bookcase, cabinet, or airtight rack where ventilation may be impeded.
- 5 Objects and liquid entry** — Take care that objects or liquids do not get inside the unit through the ventilation openings.
- 6 Carts and stands** — When placed or mounted on a stand or cart, the unit should be moved with care. Quick stops, excessive force, and uneven surfaces may cause the unit or cart to overturn or fall.
- 7 Wall or ceiling mounting** — The unit should not be mounted on a wall or ceiling, unless specified in the Operating Instructions.



#### Electric Power

- 1 Power sources** — Connect this unit only to power sources specified in the Operating Instructions, and as marked on the unit.
- 2 Polarization** — As a safety feature, some units are equipped with polarized AC power plugs which can only be inserted one way into a power outlet. If it is difficult or impossible to insert the AC power plug into an outlet, turn the plug over and try again. If it still does not easily insert into the outlet, please call a qualified service technician to service or replace the outlet. To avoid defeating the safety feature of the polarized plug, do not force it into a power outlet.
- 3 AC power cord**
  - When disconnecting the AC power cord, pull it out by the AC power plug. Do not pull the cord itself.
  - Never handle the AC power plug with wet hands, as this could result in fire or shock.
  - Power cords should be firmly secured to avoid being severely bent, pinched, or walked upon.
  - Avoid overloading AC power plugs and extension cords beyond their capacity, as this could



The lightning flash with arrowhead symbol, within an equilateral triangle, is intended to alert the user to the presence of uninsulated “dangerous voltage” within the product’s enclosure that may be of sufficient magnitude to constitute a risk of electric shock to persons.



The exclamation point within an equilateral triangle is intended to alert the user to the presence of important operating and maintenance (servicing) instructions in the literature accompanying the appliance.

### CAUTION

Modifications or adjustments to this product, which are not expressly approved by the manufacturer, may void the user’s right or authority to operate this product.

This device complies with Part 15 of the FCC Rules. Operation is subject to the condition that this device does not cause harmful interference.

### OWNER’S RECORD

For your convenience, record the model number and serial number (you will find it in the battery compartment) in the space provided below. Please refer to them when you contact your Aiwa dealer in case of difficulty.

Model No.

Serial No.

– Avoid overloading AC power plugs and extension cords beyond their capacity, as this could result in fire or shock.

**4 Extension cord** — To help prevent electric shock, do not use a polarized AC power plug with an extension cord, receptacle, or other outlet unless the polarized plug can be completely inserted to prevent exposure of the blades of the plug.

**5 When not in use** — Unplug the AC power cord from the AC power plug if the unit will not be used for several months or more. When the cord is plugged in, a small amount of current continues to flow to the unit, even when the power is turned off.

### Maintenance

Clean the unit only as recommended in the Operating Instructions.

### Damage Requiring Service

Have the units serviced by a qualified service technician if:

- The AC power cord or plug has been damaged
- Foreign objects or liquid have gotten inside the unit
- The unit has been exposed to rain or water
- The unit does not seem to operate normally
- The unit exhibits a marked change in performance
- The unit has been dropped, or the cabinet has been damaged

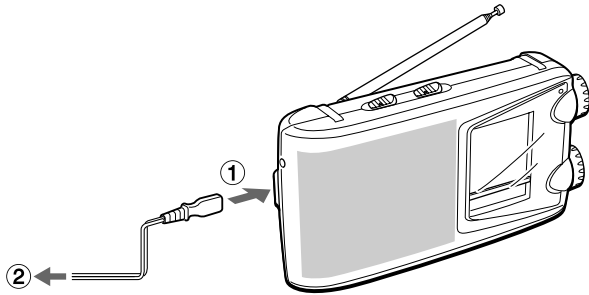
DO NOT ATTEMPT TO SERVICE THE UNIT YOURSELF.

Servicing – The user should not attempt to service the appliance beyond that described in the operating instruction. All other servicing should be referred to qualified service personnel.

## SPECIFICATIONS

<b>Frequency range</b>	FM 87.5 – 108 MHz (FM antenna) AM 530 – 1,710 kHz (Ferrite bar antenna)
<b>Speaker</b>	Diameter 77 mm, 8 ohms
<b>Earphone jack</b>	3.5 ø monaural
<b>Power output</b>	500 mW (EIAJ/8 ohms)
<b>Power requirements</b>	DC 6 V using four size C (R14) batteries AC 120 V, 60Hz
<b>Power consumption</b>	3 W
<b>Battery life</b>	See “Battery life”.
<b>Maximum outside dimensions</b>	237 (W) × 120 (H) × 62.5 (D) mm (9 3/8 × 4 3/4 × 2 1/2 in.)
<b>Weight</b>	Approx. 630 g (1.4 lbs.) excluding batteries
<b>Accessories</b>	AC power cord (1)

The specifications and external appearance of this unit are subject to change without notice.

**A**

## USING ON AC HOUSE CURRENT

Connect the supplied AC power cord. → **A**

- ① to the AC inlet of the unit
- ② to a wall outlet

### CAUTION

The AC inlet of this unit may be connected only with the attached AC power cord or one recommended by AIWA CO., LTD. Use with other cords may result in the risk of fire or damage to the AC inlet.

## INSERTING BATTERIES → **B**

Insert four size C (R14) batteries with the **+** and **-** marks properly aligned.

### Battery life

Battery	FM reception	AM reception
Manganese (R14P) batteries	Approx. 100 hours	Approx. 200 hours
Alkaline (LR14) batteries	Approx. 230 hours	Approx. 450 hours

- Battery life may vary according to conditions of use.

### Battery replacement

Replace the batteries when volume decreases or sound distorts.

### Note

Before using on batteries, disconnect the AC power cord from the AC inlet. Battery power is cut off automatically when the cord is connected.

### Note on dry cell batteries

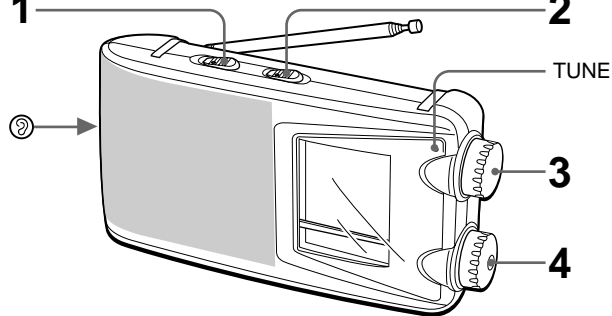
- Make sure that the **+** and **-** marks are correctly aligned.
- Do not mix different types of batteries, or an old battery with a new one.
- Never recharge the batteries, apply heat to them or take them apart.
- When not using the batteries, remove them to prevent needless wear.
- If liquid leaks from the batteries, wipe thoroughly to remove.

## RADIO RECEPTION → **C**

- 1 Set the POWER switch to ON to turn on the radio.**
- 2 Select a band.**
- 3 Turn the TUNING control to tune in to a station.**  
When a station is tuned in to, the TUNE indicator lights.
- 4 Adjust the volume.**

**After listening**, set the POWER switch to OFF to turn off the radio.

**C**



After listening, set the POWER switch to OFF to turn off the radio.

#### When the broadcast signal is weak

Set the POWER switch to NOISE CLEAR. The high frequencies are de-emphasized, however, the sound may be heard more clearly.

#### Listening with the earphone

Connect an optional earphone (with a monaural mini-plug) to the Ⓣ jack. The sound from the speaker will not be heard when the earphone is connected.

#### For better reception → D

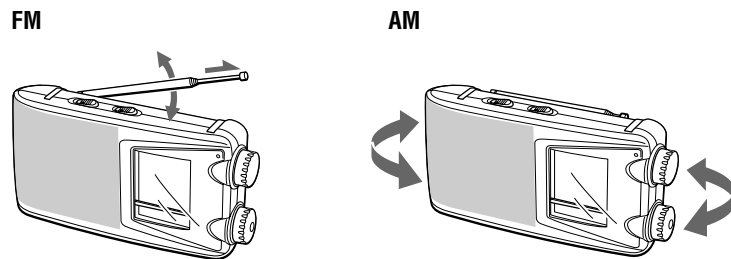
FM: Extend the FM antenna and orient it for the best reception.

AM: Turn the unit to find the position which gives the best reception.

#### Note

- Keep cassette tapes, magnetic cards and other magnetic recorded materials away from the speaker as the recorded information may be erased or noise may occur on cassette tapes.
- Lift the handle up when carrying the unit. → E
- Do not lift the handle while the FM antenna is extended. The antenna may be bent or broken.

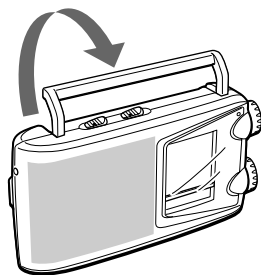
**D**



## CLEANING THE UNIT

Use a soft and dry cloth. If the surfaces are extremely dirty, use a soft cloth lightly moistened with a mild detergent solution. Do not use strong solvents such as alcohol, benzine or thinner to prevent damage to the finish of the unit.

**E**



## Free Manuals Download Website

<http://myh66.com>

<http://usermanuals.us>

<http://www.somanuals.com>

<http://www.4manuals.cc>

<http://www.manual-lib.com>

<http://www.404manual.com>

<http://www.luxmanual.com>

<http://aubethermostatmanual.com>

Golf course search by state

<http://golfingnear.com>

Email search by domain

<http://emailbydomain.com>

Auto manuals search

<http://auto.somanuals.com>

TV manuals search

<http://tv.somanuals.com>