

aiwa

STEREO RECEIVER
RECEPTOR ESTEREO
AMPLI-TUNER STEREO

AV-S17

OPERATING INSTRUCTIONS
MANUAL DE INSTRUCCIONES
MODE D'EMPLOI

En (English)

E (Español)

F (Français)

For assistance and information

call toll free 1-800-BUY-AIWA

(United States and Puerto Rico)

8A-AR5-903-01
000620CCK-Y-M

U

NOTE

This equipment has been tested and found to comply with the limits for a Class B digital device, pursuant to Part 15 of the FCC Rules. These limits are designed to provide reasonable protection against harmful interference in a residential installation.

This equipment generates, uses, and can radiate radio frequency energy and, if not installed and used in accordance with the instructions, may cause harmful interference to radio communications. However, there is no guarantee that interference will not occur in a particular installation. If this equipment does cause harmful interference to radio or television reception, which can be determined by turning the equipment off and on, the user is encouraged to try to correct the interference by one or more of the following measures:

- Reorient or relocate the receiving antenna.
- Increase the separation between the equipment and receiver.
- Connect the equipment into an outlet on circuit different from that to which the receiver is connected.
- Consult the dealer or an experienced radio/TV technician for help.

CAUTION

Modifications or adjustments to this product, which are not expressly approved by the manufacturer, may void the user's right or authority to operate this product.

AIWA CO.,LTD.

For assistance and information *call toll free 1-800-BUY-AIWA* (United States and Puerto Rico)

WARNING

TO REDUCE THE RISK OF FIRE OR ELECTRIC SHOCK, DO NOT EXPOSE THIS APPLIANCE TO RAIN OR MOISTURE.



Explanation of Graphical Symbols:



The lightning flash with arrowhead symbol, within an equilateral triangle, is intended to alert the user to the presence of uninsulated "dangerous voltage" within the product's enclosure that may be of sufficient magnitude to constitute a risk of electric shock to persons.



The exclamation point within an equilateral triangle is intended to alert the user to the presence of important operating and maintenance (servicing) instructions in the literature accompanying the appliance.

Owner's record


For your convenience, record the model number and serial number (you will find them on the rear of your unit) in the space provided below. Please refer to them when you contact your Aiwa dealer in case of difficulty.

Model No.	Serial No. (Lot No.)
AV-S17	

PRECAUTIONS

Read the Operating Instructions carefully and completely before operating the unit. Be sure to keep the Operating Instructions for future reference. All warnings and cautions in the Operating Instructions and on the unit should be strictly followed, as well as the safety suggestions below.

Installation

- Water and moisture** — Do not use this unit near water, such as near a bathtub, washbowl, swimming pool, or the like.
- Heat** — Do not use this unit near heat sources, including heating vents, stoves, or other appliances that generate heat. It also should not be placed in temperatures less than 5°C (41°F) or higher than 35°C (95°F).
- Mounting surface** — Place the unit on a flat, even surface.
- Ventilation** — The unit should be situated with adequate space around it so that proper heat ventilation is assured. Allow 10 cm (4 in.) clearance from the rear and the top of the unit, and 5 cm (2 in.) from each side.
 - Do not place the unit on a bed, rug, or similar surface that may block the ventilation openings.
 - Do not install the unit in a bookcase, cabinet, or airtight rack where ventilation may be impeded.
- Objects and liquid entry** — Take care that objects or liquids do not get inside the unit through the ventilation openings.
- Carts and stands** — When placed or mounted on a stand or cart, the unit should be moved with care. Quick stops, excessive force, and uneven surfaces may cause the unit or cart to overturn or fall.
 
- Wall or ceiling mounting** — The unit should not be mounted on a wall or ceiling, unless specified in the Operating Instructions.

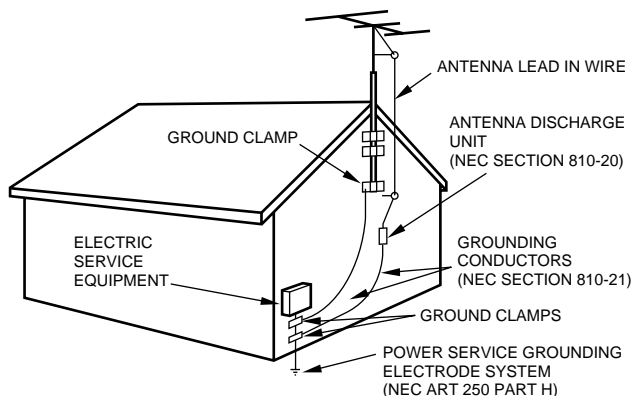
Electric Power

- Power sources** — Connect this unit only to power sources specified in the Operating Instructions, and as marked on the unit.
- Polarization** — As a safety feature, some units are equipped with polarized AC power plugs which can only be inserted one way into a power outlet. If it is difficult or impossible to insert the AC power plug into an outlet, turn the plug over and try again. If it is not still inserted easily into the outlet, please call a qualified service technician to service or replace the outlet. To avoid defeating the safety feature of the polarized plug, do not force it into a power outlet.
- AC power cord**
 - When disconnecting the AC power cord, pull it out by the AC power plug. Do not pull the cord itself.
 - Never handle the AC power plug with wet hands, as this could result in fire or shock.
 - Power cords should be firmly secured to avoid being severely bent, pinched, or walked upon. Pay particular attention to the cord from the unit to the power socket.
 - Avoid overloading AC outlets and extension cords beyond their capacity, as this could result in fire or shock.
- Extension cord** — To help prevent electric shock, do not use a polarized AC power plug with an extension cord, receptacle, or other outlet unless the polarized plug can be completely inserted to prevent exposure of the blades of the plug.
- When not in use** — Unplug the AC power cord from the AC power outlet if the unit will not be used for several months or more. When the cord is plugged in, a small amount of current continues to flow to the unit, even when the power is turned off.

Outdoor Antenna

- 1 Power lines** — When connecting an outdoor antenna, make sure it is located away from power lines.
- 2 Outdoor antenna grounding** — Be sure the antenna system is properly grounded to provide protection against unexpected voltage surges or static electricity build-up. Article 810 of the National Electrical Code, ANSI/NFPA70, provides information on proper grounding of the mast, supporting structure, and the lead-in wire to the antenna discharge unit, as well as the size of the grounding unit, connection to grounding terminals, and requirements for grounding terminals themselves.

Antenna Grounding According to the National Electrical Code



NEC-NATIONAL ELECTRICAL CODE

Maintenance

Clean the unit only as recommended in the Operating Instructions.

Damage Requiring Service

Have the unit serviced by a qualified service technician if:

- The AC power cord or plug has been damaged
- Foreign objects or liquid have gotten inside the unit
- The unit has been exposed to rain or water
- The unit does not seem to operate normally
- The unit exhibits a marked change in performance
- The unit has been dropped, or the cabinet has been damaged

DO NOT ATTEMPT TO SERVICE THE UNIT YOURSELF.

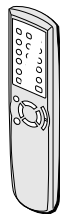
TABLE OF CONTENTS

PRECAUTIONS	1
PREPARATIONS	
CONNECTIONS	3
SETTING THE CLOCK	6
BEFORE OPERATION	7
SOUND	
CUSTOM AUDIO ADJUSTMENT	8
ELECTRONIC GRAPHIC EQUALIZER	9
BASIC OPERATIONS	
SELECTION OF AUDIO/VIDEO SOURCE	9
RECORDING AN AUDIO SOURCE	10
RADIO RECEPTION	
MANUAL TUNING	11
PRESETTING STATIONS	12
TIMER	
SETTING THE SLEEP TIMER	12
GENERAL	
SPECIFICATIONS	13
CARE AND MAINTENANCE	14
TROUBLESHOOTING GUIDE	14
PARTS INDEX	14

En

Check your accessories

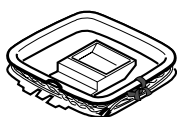
Remote control



FM antenna



AM antenna



Operating Instructions, etc.

CONNECTIONS

Before connecting the AC cord

The rated voltage of your unit shown on the rear panel is 120 V AC. Check that the rated voltage matches your local voltage.

IMPORTANT

Connect the speakers, antennas, and all other external equipment first. Then connect the AC cord at the end.

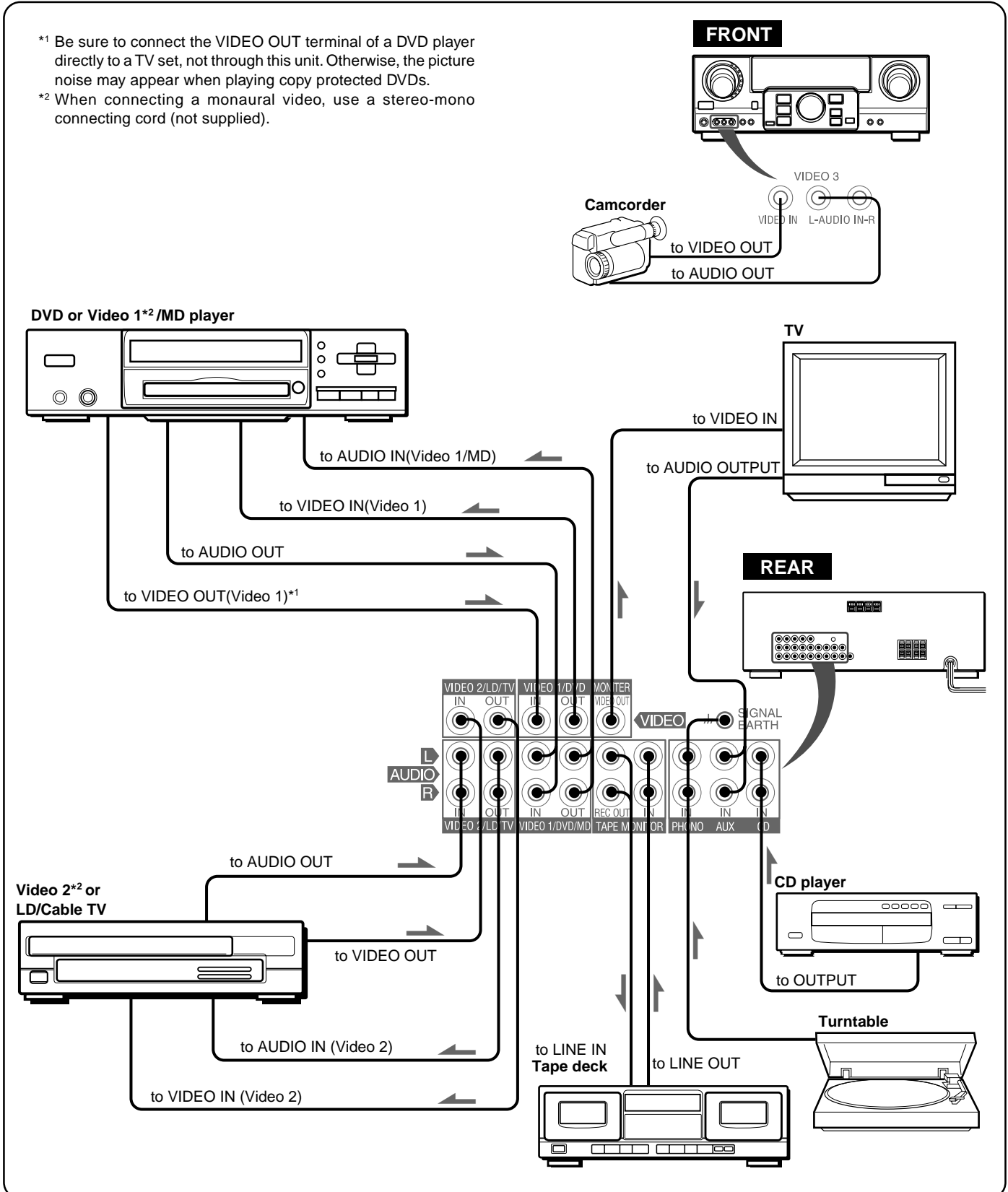
CONNECTING EQUIPMENT

Jacks and plugs of the connecting cord are color-coded as follows:

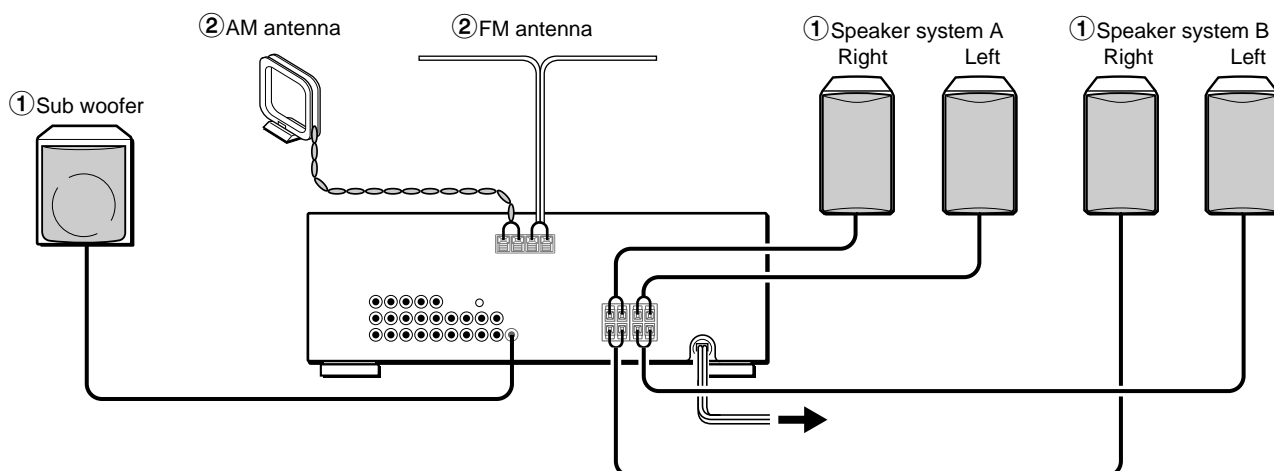
- Red jacks and plugs : For the right channel of audio signals
- White jacks and plugs: For the left channel of audio signals
- Yellow jacks and plugs: For video signals

NOTE

Insert the plugs fully into the jacks. Loose connections may produce a humming sound or other noise interference.



① and ② in the illustration correspond to the following details.



CONNECTING SPEAKERS ①

Speaker terminals

Connect front speakers (system A and/or B) and sub woofer to the corresponding speaker terminals on the unit:

- the front speaker cords to the SPEAKERS terminals
- for more powerful bass, the sub woofer (with a built-in amplifier) cord to the SUB WOOFER jack

Speaker impedance

For all speakers, use speakers of 8 ohms or more.

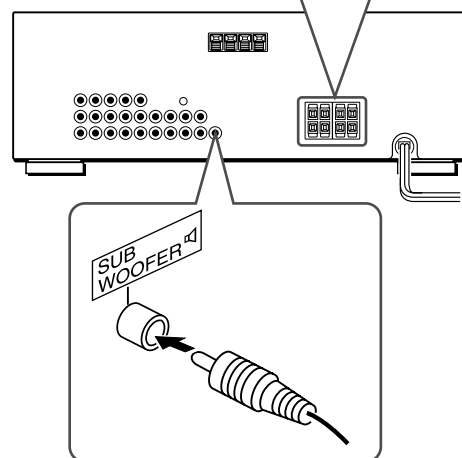
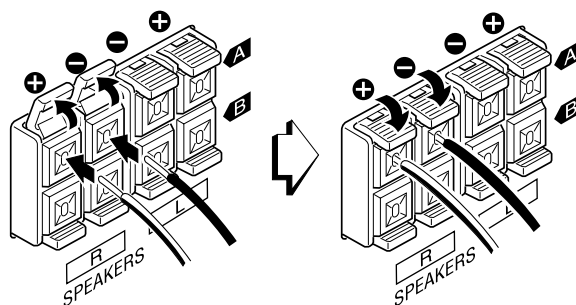
Connecting + to +, - to - terminals

To get the proper sound effect, the speaker terminals on the unit and the speaker should be connected with proper polarity; the + terminal on the unit should be connected to the + terminal on the speaker (and - to -).

NOTE

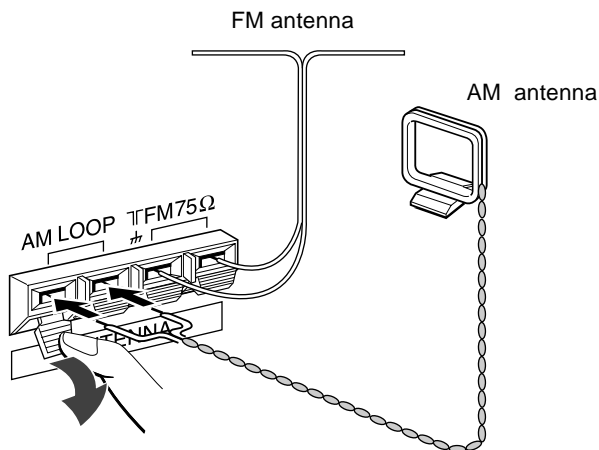
- The sub woofer sound will be output only when the speaker system A (the front speakers connected to the SPEAKERS A terminals) is selected.
- Be sure to connect the speaker cords correctly as shown in the illustration on the right column. Improper connections can cause short circuits in the SPEAKERS terminals.
- Do not leave objects generating magnetism near the speakers.

Lift up the terminal flap, insert the speaker cord lead into the terminal slot, then close the flap. Check that the cord is connected securely.

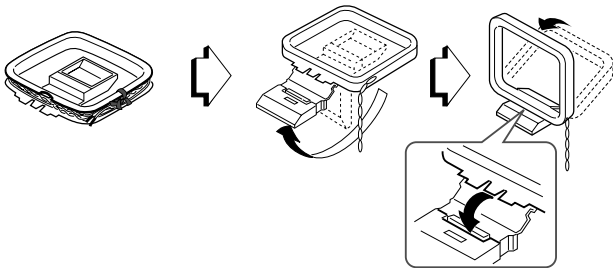


CONNECTING THE SUPPLIED ANTENNAS ②

Connect the FM antenna to the FM 75 Ω terminals and the AM antenna to the AM LOOP terminals.



To stand the AM loop antenna on a surface
Fix the claw to the slot as shown in the illustration.



To position the antennas

FM feeder antenna:

Extend this antenna horizontally in a T shape and fix its ends to the wall.

AM loop antenna:

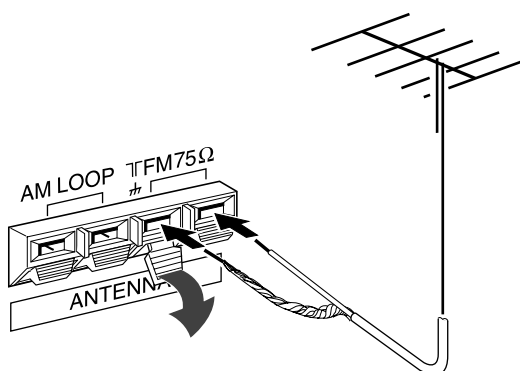
Position for the best reception.

NOTE

- Do not bring the FM antenna near metal objects or curtain rails.
- Do not bring the AM antenna near other external equipment, the unit itself, the AC power cord or speaker cords, as noise will be picked up.
- Do not unwind the AM loop antenna wire.

CONNECTING AN OUTDOOR ANTENNA

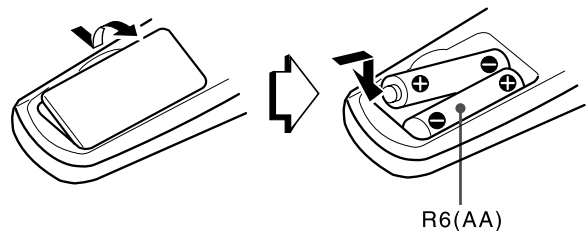
For better FM reception, use of an outdoor antenna is recommended. Connect the outdoor antenna to the FM 75 Ω terminals.



ABOUT THE REMOTE CONTROL

Inserting batteries

Detach the battery cover on the rear of the remote control and insert two R6 (size AA) batteries.



When to replace the batteries

The maximum operational distance between the remote control and the sensor on the unit should be approximately 5 meters (16 feet). When this distance decreases, replace the batteries with new ones.

Using the remote control

The instructions in this manual refer mainly to the buttons on the main unit.

Some buttons have two functions.

- To use the function indicated on the button, or on the plate in black, simply press the button.
- To use the function indicated on the plate in green, press the button while pressing the SHIFT button.

Important

- The **ENTER** button on the remote control **does not substitute for the ENTER button on the main unit**. This button is for operating the DVD player only (see the next page.)
- In principal, the **TUNING UP** and **DOWN** buttons on the remote control substitute for **^ (TUNING UP)** and **∨ (TUNING DOWN)** buttons on the main unit.

To select the function (audio source) with the remote control

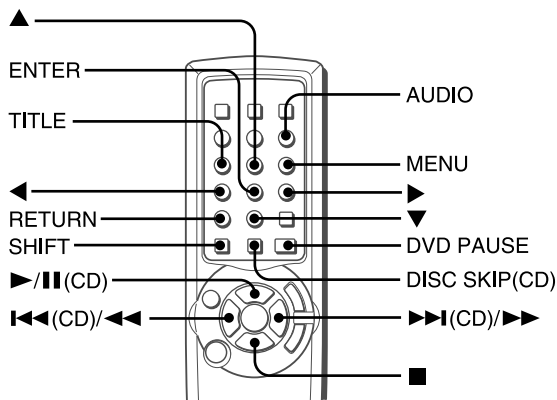
Press the FUNCTION button repeatedly. The function changes cyclically.

NOTE

- If the unit is not going to be used for an extended period of time, remove the batteries to prevent possible electrolyte leakage.
- The remote control may not operate correctly when:
 - The line of sight between the remote control and the remote sensor in the display window is exposed to intense light, such as direct sunlight.
 - Other remote controls are used nearby (those of a television, etc.)

Operating AIWA CD or DVD players with the remote control

You can control the basic functions of AIWA CD or DVD players with the remote control. In principle, the buttons described below have the same function as those on the DVD or CD players. For more details, refer to the operating instructions of the player.



Operating CD players

Press the following button.

- ▶/|| (CD) - Starts or pauses playback.
- <<<, >>> - Searches a track. Hold the button down.
- <<< (CD), >>> (CD) - Skips a track. Press the button repeatedly.
- - Stops playback.
- DISC SKIP (CD) - Skips a disc in the CD changer.

Operating DVD players

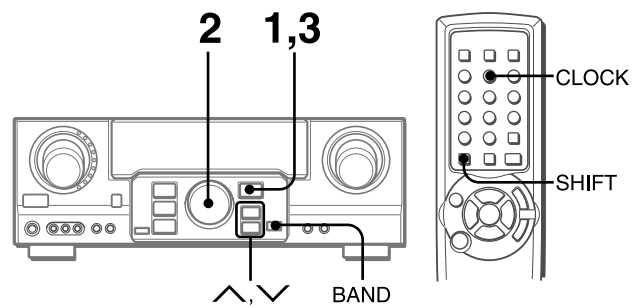
Press the following button while pressing the SHIFT button.

- ▶ - Starts playback.
- <<<, >>> - Searches a track.
- - Stops playback.
- ▲, ▼, ◀, ▶ (up, down, left or right) - Moves the cursor to select a program etc.
- AUDIO - Changes an audio track (language etc.)
- ENTER - Enters the selected program etc.
- TITLE or MENU - Enters the title or menu screen.
- RETURN - Returns to the previous mode etc.
- DVD PAUSE - Pauses the playback of a DVD.

NOTE

There are some AIWA COMPACT DISC PLAYERS for which some of the functions of the remote control do not work.

SETTING THE CLOCK

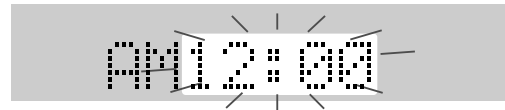


When the AC cord is connected for the first time, the clock on the display flashes.

Set the time as follows while the power is off.

1 Press the ENTER button.

The display becomes a little brighter.



2 Within 4 seconds, turn the MULTI JOG to designate the hour and the minute.

The time advances by turning it to the right, and decreases by turning it to the left.

The ▲ or ▼ button on the main unit is also available. Press the button repeatedly. To change the time rapidly in 10-minute steps, hold it down.

3 Press the ENTER button.

The clock starts from 00 seconds.

NOTE

When the clock is set for the first time after purchase

Everything on the display will clear.

This is because the power economizing mode of the unit is activated, and is not a malfunction.

The power economizing mode can be canceled. See page 7 for details.

To correct the current time

Press the POWER button to turn the unit off. Carry out steps 1 to 3 above.

To display the current time

Press the CLOCK button while pressing the SHIFT button on the remote control. The clock is displayed for 4 seconds.

When the power is off in the power economizing mode, pressing the ENTER button on the unit also display the current time for 4 seconds.

To switch to the 24-hour standard

Display the current time, and press the BAND button on the unit within 4 seconds.

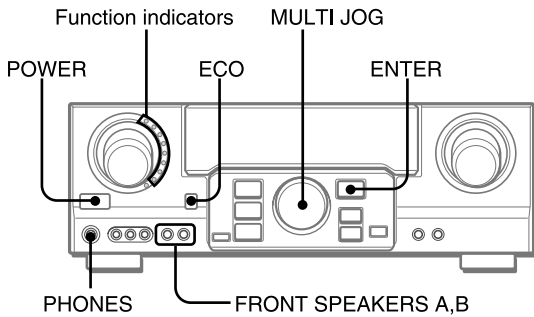
Repeat the same procedure to restore the 12-hour standard. In the 12-hour standard, "AM 12:00" indicates midnight and "PM 12:00" indicates noon.

If the clock display flashes while the power is off

This is caused by a power interruption. The current time needs to be reset.

If power is interrupted for more than approximately 24 hours, all settings stored in memory after purchase need to be reset.

BEFORE OPERATION



To turn the unit on

Press the POWER button.

Operation is possible after four seconds. The VOL (volume) level or function name is displayed one after the other for the first four seconds.

The selected function indicator lights up in red.

To change the brightness level of the display

- 1 Press the ECO button repeatedly until "DIM MODE" is displayed.
- 2 Within 4 seconds, press the ENTER button.
- 3 Within 4 seconds, turn the MULTI JOG to select the dimmer mode as below.

The mode will be automatically set after 4 seconds. It will also be set if the ENTER button is pressed within 4 seconds after step 3.



DIM-OFF: The normal display.

DIMMER 1: The illumination of the display is dimmer than usual.

DIMMER 2: The illumination of the display is dimmer than DIMMER 1. The function indicator turns off.

Using the headphones

Connect headphones to the PHONES jack with a standard stereo plug (ø6.3 mm, 1/4 inch). Be sure to set the FRONT SPEAKERS A and B buttons to OFF. Otherwise sound is output from the speakers.

To select the front speaker system

To use speaker system A: Set the FRONT SPEAKERS A button to ON.

To use speaker system B: Set the FRONT SPEAKERS B button to ON.

To use both speaker systems: Set both the buttons to ON.

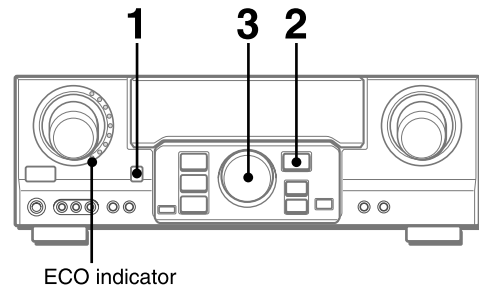
Set the button(s) to OFF to turn off the speaker system(s).

NOTE

- As the front speaker systems A and B are connected in series:
 - The sound will decrease slightly when using both speaker systems
 - No sound can be heard if the FRONT SPEAKERS A and B buttons are set to ON when only one speaker system is connected
- The sub woofer sound will be output only when the speaker system A (the front speakers connected to the SPEAKERS A terminals) is selected.

To turn the unit off, press the POWER button.

POWER ECONOMIZING (ECO) MODE



Setting this unit to the ECO mode reduces power consumption as below.

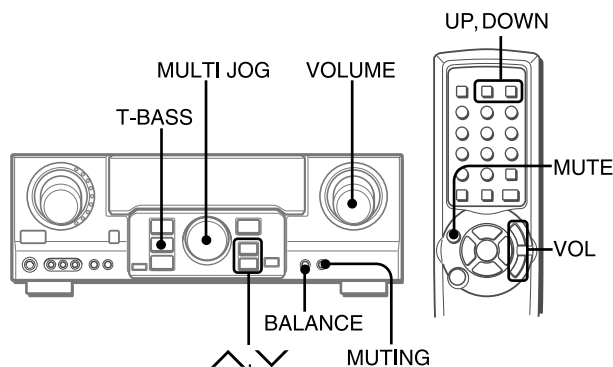
Initial setting of the ECO mode is ON.

- When the current time is set, the clock display disappears immediately.
- While the power is off, all the display lights turn off, and only the ECO indicator lights in red.

To cancel the ECO mode

- 1 Press the ECO button to display ECO MODE while the unit is turned on.
- 2 Within 4 seconds, press the ENTER button.
- 3 Within 4 seconds, turn the MULTI JOG to select ECO OFF. The mode will be automatically set after 4 seconds. It will also be set if the ENTER button is pressed within 4 seconds after step 3.

CUSTOM AUDIO ADJUSTMENT



VOLUME CONTROL

Turn the VOLUME control on the unit, or press the VOL buttons on the remote control.

The volume level is shown on the display for four seconds. It can be adjusted between 0 and MAX (50). It flashes when set over the level of 44.

The volume level remains memorized even after the power is turned off. However, if the power is turned off when the volume is set to 21 or more, it is automatically set to 20 the next time the power is turned on.

To adjust the left/right balance of the front speakers

Press the BALANCE button to display "L/R 0dB". Then press the ^ (UP) or v (DOWN) button repeatedly or turn the MULTI JOG within four seconds.

To mute the sound temporarily

Press the MUTING (MUTE) button (-20 dB).

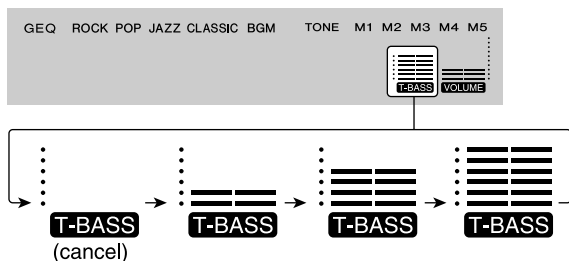
"MUTE ON" appears on the display for four seconds. While muting the sound, the selected function indicator flashes. Press the MUTING button again to restore the sound.

SUPER T-BASS SYSTEM

The T-BASS system enhances the realism of low-frequency sound.

Press the T-BASS button.

Each time it is pressed, the level changes. Select one of the three levels, or the off position to suit your preference.



NOTE

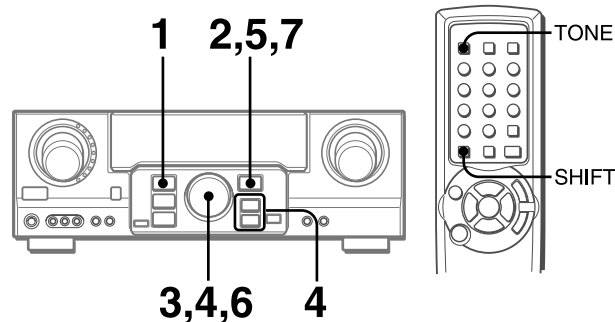
Low-frequency sound may be distorted when the T-BASS system is used for a disc or tape in which low-frequency sound is originally emphasized. In this case, cancel the T-BASS system.

SOUND ADJUSTMENT DURING RECORDING

The output volume and tone of the speakers or headphones may be freely varied without affecting the level of the recording.

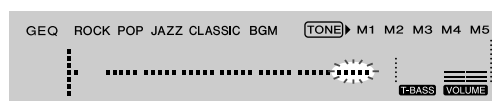
TONE CONTROL

You can adjust the high and low range of the sound, and up to 5 adjusted sound modes can be stored as the preset numbers M1 to M5.



1 Press the TONE button.

2 Within 7 seconds, press the ENTER button.



3 Turn the MULTI JOG to adjust the high range of the sound.

4 Press the v button and turn the MULTI JOG to adjust the low range of the sound.

To re-adjust the high or low range, press the ^ or v button and turn the MULTI JOG.

In steps 3 and 4, the unit returns to normal mode when no operation is made for 4 seconds.

5 Press the ENTER button.

TONE M1 is displayed.

6 Turn the MULTI JOG to select preset number from M1 to M5.

7 Within 4 seconds, press the ENTER button.

The adjusted sound mode is stored in the selected preset number.

To adjust the sound temporarily

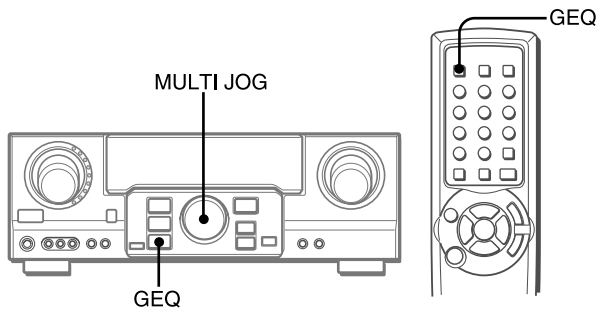
Follow the steps from 1 to 4 above. The adjusted sound remains before changing the FUNCTION or TONE.

To select the preset mode

Press the TONE button, and turn the MULTI JOG until the desired preset number is displayed. To cancel the selected mode, press the TONE button twice.

When operating with the remote control, press the TONE button repeatedly while pressing the SHIFT button. The preset modes M1 to M5 and "TONE OFF" can be selected.

ELECTRONIC GRAPHIC EQUALIZER



This unit provides the following five different equalization modes.

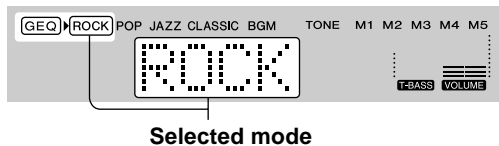
- ROCK:** Powerful sound emphasizing treble and bass
- POP:** More presence in the vocals and midrange
- JAZZ:** Accented lower frequencies for jazz-type music
- CLASSIC:** Enriched sound with heavy bass and fine treble
- BGM:** Calm tone with suppressed bass and treble

Press the **GEQ (Graphic Equalizer)** button, and turn the **MULTI JOG** until the desired equalization mode is displayed.

The GEQ modes are displayed cyclically as follows.



The selected mode name is displayed for four seconds, and the selected GEQ indicator is enclosed.



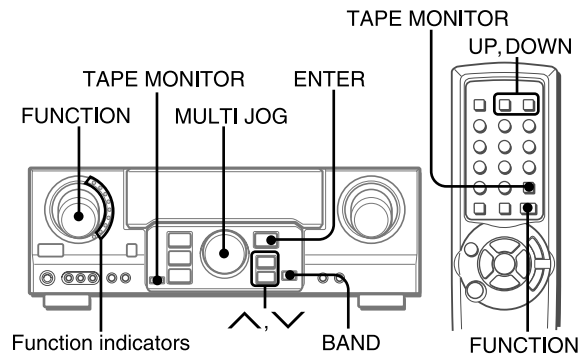
To cancel the selected mode

Press the **GEQ** button to display the GEQ mode name, and press the button again within 4 seconds. "GEQ OFF" appears on the display.

To select with the remote control

Press the **GEQ** button repeatedly until the desired equalization mode is displayed. Five preset modes and "GEQ OFF" can be selected.

SELECTION OF AUDIO/VIDEO SOURCE



1 Select the program source.

Turn the **FUNCTION** selector or press the **TAPE MONITOR** button. The selected function indicator lights in red.

To listen to or watch	The indicator in red
Tape	TAPE MONITOR
Radio	TUNER
Record	PHONO
Compact disc	CD
Television, etc.	AUX
Video	VIDEO 1/DVD/MD, VIDEO 2/LD/TV, VIDEO 3
LD or Cable TV	VIDEO 2/LD/TV
MD or DVD	VIDEO 1/DVD/MD

The function to be selected (except PHONO) depends on the equipment connected to the input terminals on the rear panel of the unit.

To select with the remote control

Press the **TAPE MONITOR** button or the **FUNCTION** button repeatedly.

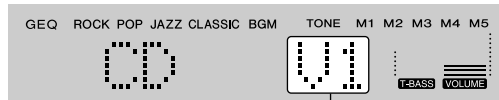
NOTE

When using a turntable with a built-in equalizer amplifier, set the switch of the equalizer amplifier to off. See the instructions of the turntable for further information.

2 Start the selected program source.

3 Adjust the sound.

About the video source to the monitor or TV



Selected Video source

V1: VIDEO 1, V2: VIDEO 2, V3: VIDEO 3

The selected video source is indicated on the display and the video signal through the MONITOR VIDEO OUT jack is output on the TV.

To select the video source

- 1 Turn the FUNCTION to select PHONO, CD or AUX.
- 2 Press the ENTER button to display VIDEO 1.
- 3 Turn the MULTI JOG to select VIDEO 2 or VIDEO 3.

To change a displayed name for the VIDEO 1 and VIDEO 2

When the VIDEO 1 function is selected, VIDEO 1 is displayed initially. It can be changed to DVD or MD.

Press the BAND button while pressing the ENTER button, then release the ENTER button first.

The displayed name for the VIDEO 2 function can be changed to VIDEO 2, LD or TV; while the VIDEO 2 function is selected, press the BAND button while pressing the ENTER button, then release the ENTER button first.

To adjust the sound level of the connected source

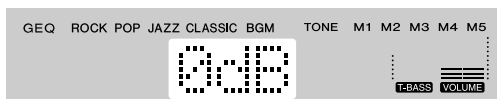
The input sensitivity level of each function can be adjusted (except the TUNER and TAPE MONITOR).

When the sound level of the connected source is higher or lower than that of the TUNER, adjust it as follows.

1 Select the function to be adjusted.

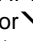
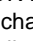
Turn the FUNCTION and play the source.

2 Press the (UP) or (DOWN) button repeatedly.

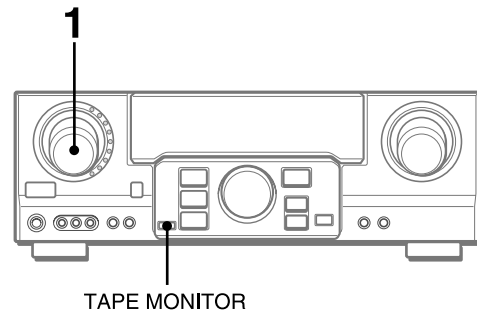


The level can be adjusted between -6dB (MIN) and +8dB (MAX) in 2dB steps. Adjust the level so that the sound is output at the same level as the TUNER.

NOTE

The input sensitivity level of the TAPE MONITOR cannot be adjusted. Even if TAPE MONITOR is selected, pressing the  or  button will change the level of the selected function (except TUNER) displayed on the window.

RECORDING AN AUDIO SOURCE



1 Select the program source to be recorded.

Turn the FUNCTION.

2 Set the tape deck or MD recorder to the recording mode.

3 Start the selected program source.

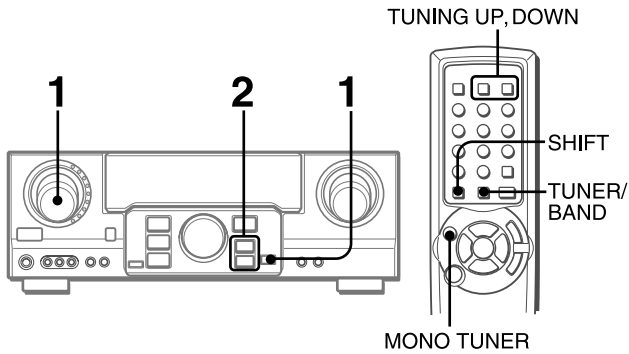
To monitor recorded sound during recording (when the connected tape deck is a three-head system)

Press the TAPE MONITOR button. "TAPE ON" appears on the display for four seconds, and then the source name selected in step 1 comes back on. To cancel the tape monitor, press it again so that "TAPE OFF" appears.

NOTE

- Any sound control system has no effect on recording (see page 8).
- When recording audio sources by the MD recorder connected to the VIDEO 1/DVD/MD AUDIO OUT terminals, the selected video source (see left column) should be V2 or V3. Recording cannot be done while the V1 (VIDEO 1) is selected and displayed on the window.
- Input sound from the tape deck connected to the TAPE MONITOR IN terminals cannot be recorded.

MANUAL TUNING



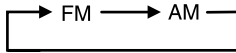
When the reception contains noise interference

Move the unit away from other electrical appliances, especially digital audio devices, or turn off the appliances that generate noise signals.

To change the AM tuning interval

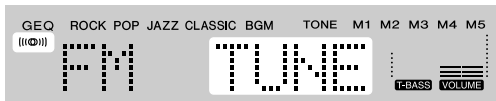
The default setting of the AM tuning interval is 10 kHz/step. If you use this unit in an area where the frequency allocation system is 9 kHz/step, change the tuning interval. Hold down the BAND button and press the POWER button. To reset the interval, repeat this procedure.

- 1 Turn the **FUNCTION** to select the **TUNER** function, and press the **BAND** button repeatedly to select the desired band.



The display changes to frequency indications after indicating band and video source (V1, V2 or V3) for two seconds.

- 2 Press the **▲** or **▼** button to select a station. Each time the button is pressed, the frequency changes. When a station is received, "TUNE" is displayed for two seconds. During FM stereo reception, ((Ⓜ)) is displayed.



When operating with the remote control

Press the **TUNER/BAND** button while pressing the **SHIFT** button in step 1, and the **TUNING DOWN** or **UP** button in step 2.

To search for a station quickly (Auto Search)

Keep the **▲** or **▼** button pressed until the tuner starts searching for a station. After tuning in to a station, the search stops.

To stop the Auto Search manually, press the **▲** or **▼** button. When operating with the remote control, keep the **TUNING UP** or **DOWN** button pressed.

- The Auto Search may not stop at stations with very weak signals.

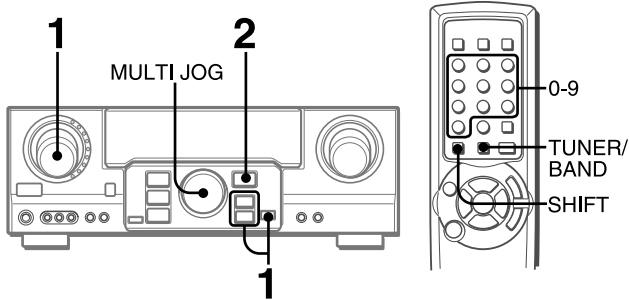
When an FM stereo broadcast contains noise

Press the **MONO TUNER** button while pressing the **SHIFT** button on the remote control so that "MONO" appears on the display. Noise is reduced, although reception is monaural.



To restore stereo reception, repeat the above so that "STEREO" appears.

PRESETTING STATIONS

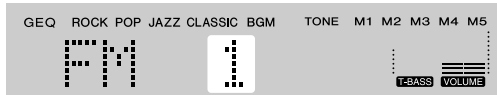


The unit can store a total of 32 preset stations. When a station is stored, a preset number is assigned to the station. Use the preset number to tune in to a preset station directly.

1 Turn the FUNCTION to select the TUNER function, and press the BAND button repeatedly to select the desired band. Then press the \wedge or \vee button to select a station.

2 Press the ENTER button to store the station.

A preset number assigned to the station, beginning from 1 in consecutive order for each band, appears in the display for two seconds.



3 Repeat steps 1 and 2.

No more stations will be stored and "FULL" appears if a total of 32 stations have already been stored for all the bands.

NOTE

When the AM tuning interval is changed, all preset stations are cleared. The preset stations have to be set again.

PRESET NUMBER TUNING

1 Turn the FUNCTION to select the TUNER function, and press the BAND button repeatedly to select a band.

2 Turn the MULTI JOG to select a preset number.

When operating with the remote control

Press the TUNER/BAND button while pressing the SHIFT button to select a band, then press the numbered buttons to select a preset number.

Example:

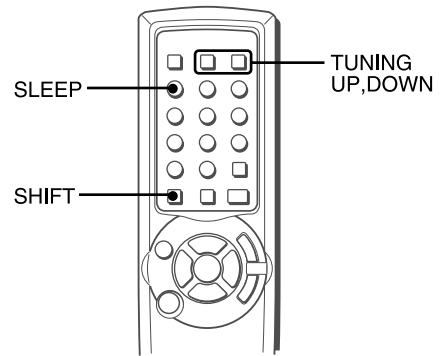
To select preset number 25, press 2 and 5.

To select preset number 7 press 0 and 7.

To clear a preset station

Select the preset number of the station to be cleared. Then, press the ENTER button, and press it again within four seconds. The preset numbers of all other stations in the band with higher numbers are decreased by one.

SETTING THE SLEEP TIMER



The receiver can be automatically turned off at a specified time.

Press the SLEEP button while pressing the SHIFT button on the remote control.



The unit will be turned off after about 60 minutes.

To specify the time until the power is turned off

Within 4 seconds after the above, press the TUNING DOWN or UP button repeatedly.

You can change the time between 5 and 240 minutes in 5-minute steps.



Specified time

To check the time remaining until the power is turned off

Press the SLEEP button once while pressing the SHIFT button. The remaining time is displayed for four seconds.

To cancel the sleep timer

Press the SLEEP button twice while pressing the SHIFT button so that "SLEEPoFF" appears on the display.

SPECIFICATIONS

FM tuner section

Tuning range	87.5 MHz to 108 MHz
Usable sensitivity (IHF)	13.2 dBf
Antenna terminals	75 ohms (unbalanced)

AM tuner section

Tuning range	530 kHz to 1710 kHz (10 kHz step), 531 kHz to 1602 kHz (9 kHz step)
Usable sensitivity	350 μ V/m
Antenna	Loop antenna

Amplifier section

Power output	100 watts per channel, Min. RMS at 8 ohms, from 40 Hz to 20 kHz, with no more than 0.9% Total Harmonic Distortion
Total harmonic distortion	0.08 % (50 W, 1 kHz, 8 ohms, Front)

Inputs	AUDIO IN PHONO: 1.5 mV, adjustable (47 kohms) VIDEO 1/DVD/MD, VIDEO 2/LD/TV, VIDEO 3, CD, AUX: 200 mV, adjustable (47 kohms) TAPE MONITOR: 250 mV, (47 kohms) VIDEO IN: 1 Vp-p (75 ohms)
---------------	--

Outputs	AUDIO OUT (REC OUT): 200 mV (1 kohm) VIDEO OUT (MONITOR): 1 Vp-p (75 ohms) SUB WOOFER: 2 V (47 kohms) SPEAKERS IMP: 8 Ω (front speakers A and B): accepts speakers of 8 ohms or more. PHONES (stereo jack): accepts headphones of 32 ohms or more -20 dB
Muting	

General

Power requirements	120 V AC, 60 Hz
Power consumption	75 W
Power consumption in standby mode	ECO OFF: 17 W ECO ON: 1 W
Dimensions (W \times H \times D)	430 \times 155 \times 392.5 mm (17 \times 6 $\frac{1}{8}$ \times 15 $\frac{1}{2}$ in.)
Weight	9.1 kg (20 lb 1 oz.)

Specifications and external appearance are subject to change without notice.

CARE AND MAINTENANCE

Occasional care and maintenance of the unit is needed to optimize the performance of your unit.

To clean the cabinet

Use a soft dry cloth.

If the surfaces are extremely dirty, use a soft cloth lightly moistened with mild detergent solution. Do not use strong solvents, such as alcohol, benzine or thinner as these could damage the finish of the unit.

TROUBLESHOOTING GUIDE

If the unit fails to perform as described in these Operating Instructions, check the following guide.

GENERAL

There is no sound.

- Is the AC cord connected properly?
- Is there an incorrect connection? (→ page 3, 4)
- There may be a short circuit in the speaker terminals.
→ Disconnect the AC cord, then correct the speaker connections.
- Was an incorrect function button pressed?
- Was the TAPE MONITOR button pressed?
- Are the FRONT SPEAKERS A and B buttons set correctly? (→ page 7)

Sound is emitted from one speaker only.

- Is the BALANCE set appropriately?
- Is the other speaker disconnected?

Sound is heard at a very low volume.

- Has the MUTING button been pressed?

An erroneous display or a malfunction occurs.

→ Reset the unit as stated below.

TUNER SECTION

There is constant, wave-like static.

- Is the antenna connected properly? (→ page 5)
- Is the FM signal weak?
→ Connect an outdoor antenna.

The reception contains noise interference or the sound is distorted.

- Is the system picking up external noise or multipath distortion?
→ Change the orientation of the antenna.
→ Move the unit away from other electrical appliances.

To reset

If an unusual condition in the display window or malfunction occurs, reset the unit as follows.

- 1 Press the POWER button to turn off the power.
- 2 Press the POWER button while pressing the ENTER button.
Everything stored in memory after purchase is canceled.

If the power cannot be turned off in step 1 because of a malfunction, reset by disconnecting the AC cord and carry out step 2.

PARTS INDEX

Instructions about each part on the unit or remote control are indicated on the pages listed below.

(in alphabetical order)

AUDIO	6
BALANCE	8
CLOCK	6
BAND (TUNER/BAND)	6, 10-12
DISC SKIP (CD)	6
DVD PAUSE	6
ECO	7
ENTER	5-8, 10, 12, 14
FRONT SPEAKER A, B	7
FUNCTION	5, 9-12
GEQ	9
MENU	6
MONO TUNER	11
MULTI JOG	6-10, 12
MUTING (MUTE)	8
PHONES	7
POWER	7, 11, 14
RETURN	6
SHIFT	6, 8, 11, 12
SLEEP	12
TAPE MONITOR	9, 10
T-BASS	8
TITLE	6
tone	8
TUNING ∇ (DOWN)	5, 6, 8, 10-12
TUNING \blacktriangle (UP)	5, 6, 8, 10-12
VOLUME (VOL)	8

AVERTISSEMENT

POUR REDUIRE LE RISQUE DE COURT-CIRCUIT OU DE CHOC ELECTRIQUE, NE PAS EXPOSER CET APPAREIL A LA PLUIE OU A L'HUMIDITE.



Signification des symboles graphiques:



L'éclair portant une flèche, situé dans un triangle équilatéral, sert à prévenir l'utilisateur de la présence d'une "tension dangereuse" non isolée à l'intérieur de l'appareil, assez élevée pour constituer un risque d'électrocution.



Le point d'exclamation situé dans un triangle équilatéral, sert à prévenir l'utilisateur de la présence d'instructions importantes concernant l'utilisation et l'entretien (ou la réparation) de l'appareil dans le manuel qui accompagne ce dernier.

Relevé du propriétaire

Pour plus de commodité, noter le numéro de modèle et le numéro de série (cas numéros se trouvent au dos de l'appareil) dans les cases ci-dessous. Prière de mentionner ces numéros quand on contacte un distributeur Aiwa en cas de difficulté.

N° de modèle	N° de série (N° de lot)
AV-S17	

PRECAUTIONS

Lisez attentivement et complètement le mode d'emploi avant d'utiliser l'ampli-tuner et conservez-le pour toute référence future. Respectez tous les avertissements et consignes mentionnés dans le mode d'emploi, ainsi que les conseils concernant la sécurité.

Installation

- Eau et humidité** — Ne pas utiliser l'ampli-tuner près d'une baignoire, d'un lavabo, d'une piscine ou de tout autre endroit similaire.
- Chaleur** — Ne pas utiliser l'ampli-tuner près d'une source de chaleur, comme une sortie d'air chaud, un chauffage, ou autre appareil produisant de la chaleur. Il ne doit pas non plus être exposé à des températures inférieures à 5°C (41°F) ou supérieures à 35°C (95°F).
- Installation** — Installez l'ampli-tuner sur une surface plane, de niveau.
- Ventilation** — Laissez un espace suffisant tout autour de l'ampli-tuner pour garantir une bonne ventilation, soit environ 10 cm (4 po.) à l'arrière et au-dessus de l'ampli-tuner et 5 cm (2 po.) sur les deux côtés.
 - Ne pas poser l'ampli-tuner sur un lit, une couverture ou toute autre surface similaire qui pourrait bloquer les orifices de ventilation.
 - Ne pas installer l'ampli-tuner dans une étagère, un placard ou un meuble où la ventilation est insuffisante.
- Objets et liquide** — Veillez à ce qu'aucun objet ni liquide ne pénètre dans les orifices de ventilation de l'ampli-tuner.
- Chariots et supports** — Quand vous installez l'ampli-tuner sur un support ou un chariot, déplacez-les lentement.
 - A cause d'arrêts subits, de mouvements brusques et de surfaces inégales, l'ampli-tuner ou le chariot peuvent être renversés.
- Fixation au mur ou au plafond** — L'ampli-tuner ne doit pas être installé au mur ou au plafond.



Electricité

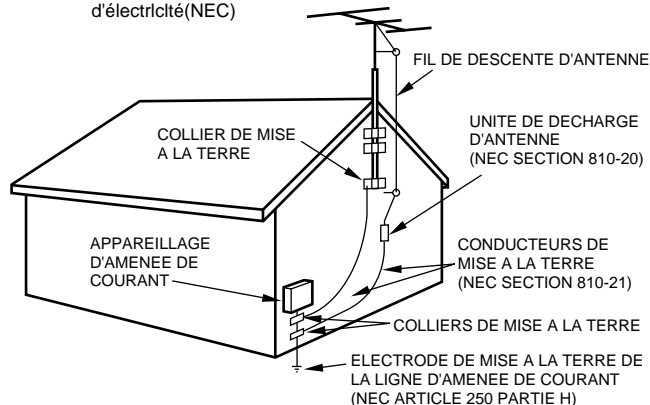
- Sources d'alimentation** — Raccordez l'ampli-tuner seulement à la source d'alimentation spécifiée dans le mode d'emploi et indiquée sur l'ampli-tuner proprement dit.
- Polarisation** — Par mesure de sécurité, certains appareils sont équipés d'une fiche secteur polarisée qui ne rentre dans la prise murale que dans un seul sens. S'il n'est pas possible d'insérer la fiche dans la prise, essayez dans l'autre sens. S'il n'est toujours pas possible d'insérer la fiche dans la prise, faites appel à un électricien pour remplacer la prise qui est probablement trop vieille. Ne pas modifier la fiche polarisée, elle ne remplirait plus son but.
- Cordon d'alimentation secteur**
 - Quand vous débranchez le cordon d'alimentation secteur, tirez sur la fiche et non pas sur le cordon.
 - Ne jamais toucher la fiche secteur avec des mains humides afin d'éviter les risques d'incendie ou d'électrocution.
 - Les cordons d'alimentation doivent être fixés correctement pour éviter qu'ils ne soient pliés, coincés ou piétinés. Faites particulièrement attention au cordon reliant l'ampli-tuner à la prise secteur.
 - Évitez de surcharger les prises murales (secteur) et les prolongateurs au-delà de leur capacité, car vous risquez sinon de provoquer un incendie ou une décharge électrique.
- Cordon de prolongation** — Afin d'éviter tout risque d'électrocution, ne pas utiliser de fiche secteur polarisée avec un cordon de prolongation, douille ou autre type de prise à moins que la fiche polarisée ne soit complètement insérée sans laisser les lames à découvert.

- 5 **Quand l'ampli-tuner n'est pas utilisé** — Débranchez l'ampli-tuner de la prise murale si vous prévoyez de ne pas l'utiliser pendant plusieurs mois. Quand le cordon est branché, une petite quantité d'électricité s'écoule vers même s'il est hors tension.

Antenne extérieure

- 1 **Lignes électriques** — Quand vous raccordez une antenne extérieure, assurez-vous qu'elle est suffisamment éloignée des lignes électriques.
- 2 **Prise de terre de l'antenne extérieure** — Assurez-vous que l'antenne est raccordée correctement à la terre par mesure de protection contre les pointes de tension et l'accumulation de charges statiques. L'article 810 du Code Electrique National, ANSI/NFPA70, fournit des informations pour une mise à la terre correcte des mâts et supports, la mise à la terre du fil de connexion à un appareil de décharge, la dimension de l'appareil de décharge, la connexion des électrodes de terre et les exigences que doivent remplir les électrodes de terre.

Mise à la terre d'une antenne selon le code national d'électricité(NEC)



NEC: CODE NATIONAL D'ELECTRICITE

Entretien

Nettoyez l'ampli-tuner comme indiqué dans le mode d'emploi.

Réparations exigeant l'intervention d'un professionnel

Faites réparer l'ampli-tuner par un professionnel dans les cas suivants:

- Le cordon ou la prise secteur a été endommagé
 - Des objets ou liquides sont tombés dans l'ampli-tuner
 - L'ampli-tuner a été exposé à la pluie ou à l'eau
 - L'ampli-tuner ne semble pas fonctionner correctement
 - Les performances de l'ampli-tuner ne sont plus les mêmes
 - L'ampli-tuner est tombé ou le coffret a été endommagé
- NE PAS ESSAYER DE REPARER SOI-MEME LE RECEPTEUR.**

TABLE DES MATIERES

PRECAUTIONS 1

PREPARATIFS

RACCORDEMENTS 3
 REGLAGE DE L'HORLOGE 6
 AVANT DE COMMENCER 7

SON

REGLAGE PERSONNEL DU SON 8
 EGALISEUR GRAPHIQUE ELECTRONIQUE 9

OPERATIONS DE BASE

SELECTION D'UNE SOURCE AUDIO OU VIDEO 9
 ENREGISTREMENT D'UNE SOURCE AUDIO 10

RECEPTION RADIO

ACCORD MANUEL 11
 PREREGLAGES DES STATIONS 12

MINUTERIE

REGLAGE DE LA MINUTERIE D'ARRET 12

GENERALITES

SPECIFICATIONS 13
 SOIN ET ENTRETIEN 14
 EN CAS DE PANNE 14
 NOMENCLATURE 14



Vérifiez vos accessoires

Télécommande

Antenne FM

Antenne AM

Mode d'emploi, etc.

RACCORDEMENTS

Avant de raccorder le cordon secteur

La tension nominale de l'ampli-tuner indiquée sur le panneau arrière est de 120 V. Vérifiez si elle correspond à la tension locale.

IMPORTANT

Raccordez les enceintes, les antennes et les autres appareils en premier. Raccordez le cordon secteur en dernier.

RACCORDEMENT DE TOUT L'EQUIPEMENT

Les prises et les fiches des cordons de liaison sont codées couleur de la façon suivante:

Prises et fiches rouges: Canal droit des signaux audio

Prises et fiches blanches: Canal gauche des signaux audio

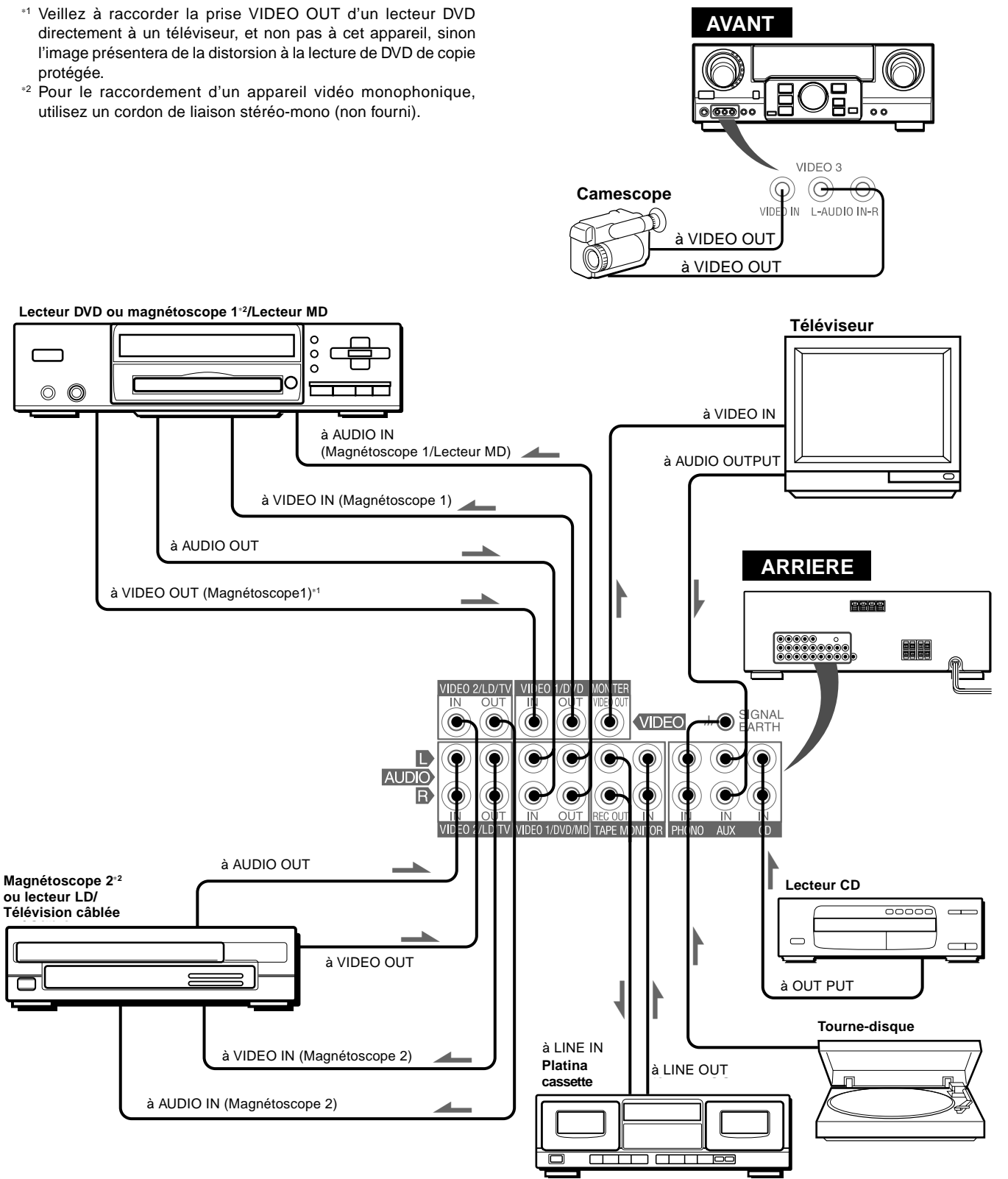
Prises et fiches jaunes: Signaux vidéo

REMARQUE

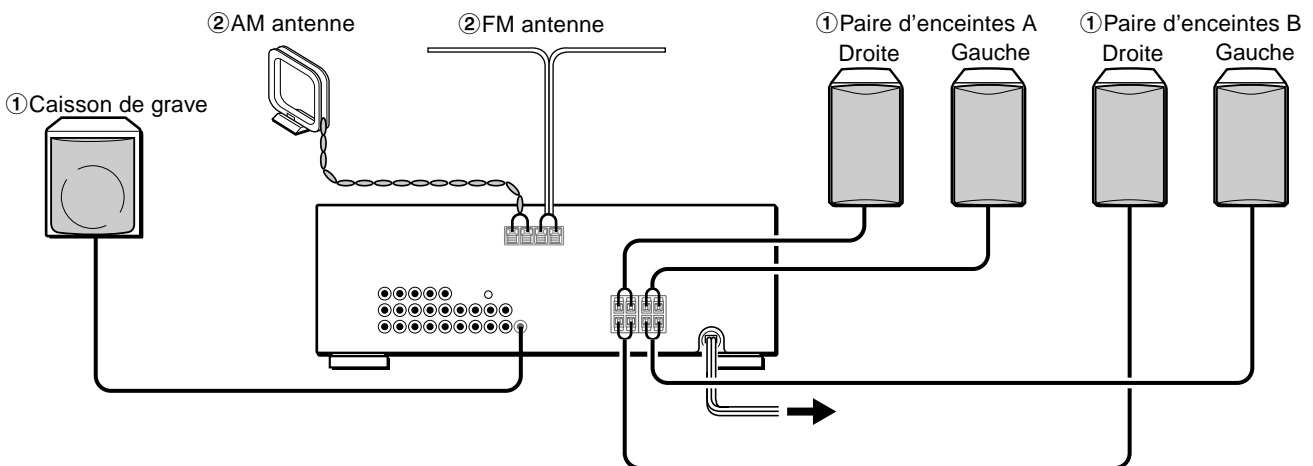
Insérez les fiches à fond dans les prises. Des connexions relâchées peuvent produire un bourdonnement ou d'autres interférences.

*1 Veillez à raccorder la prise VIDEO OUT d'un lecteur DVD directement à un téléviseur, et non pas à cet appareil, sinon l'image présentera de la distorsion à la lecture de DVD de copie protégée.

*2 Pour le raccordement d'un appareil vidéo monophonique, utilisez un cordon de liaison stéréo-mono (non fourni).



① et ② sur l'illustration correspondent aux détails suivants.



RACCORDEMENT DES ENCEINTES ①

Bornes d'enceinte

Raccordez les enceintes avant (systèmes A et/ou B) et un caisson de grave aux prises correspondantes de l'ampli-tuner:

- les cordons d'enceintes avant aux bornes SPEAKERS
- le cordon du caisson de grave (amplifié) à la prise SUB WOOFER pour obtenir un son grave omniprésent.

Impédance des enceintes

Quel que soit le type d'enceinte, utilisez des enceintes d'au moins 8 ohms.

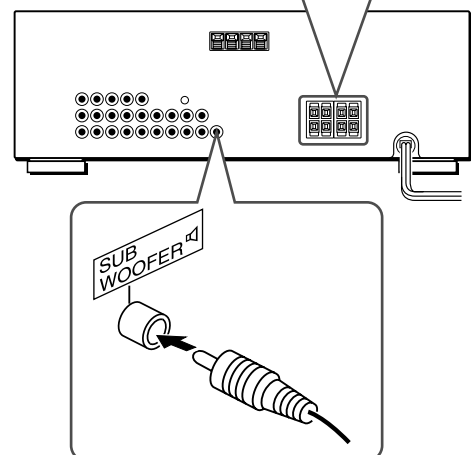
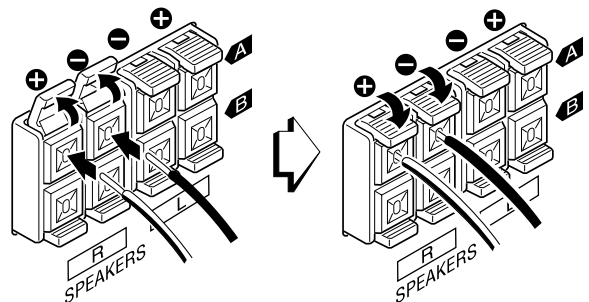
Raccordement des bornes + à + et - à -

Pour obtenir l'effet sonore adéquat, les bornes d'enceintes de l'ampli-tuner et des enceintes doivent être raccordées correctement: les bornes + de l'ampli-tuner doivent être reliées aux bornes + des enceintes (et - à -).

REMARQUE

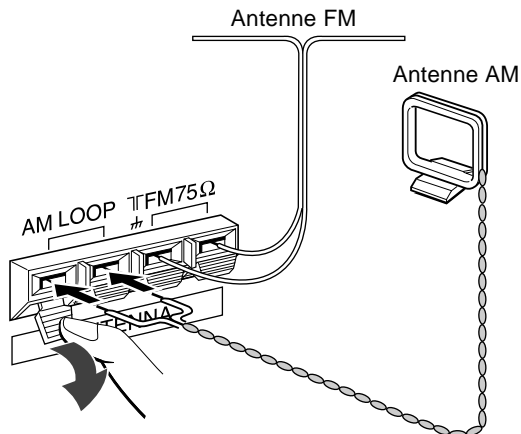
- Le son du caisson de grave sera émis uniquement lorsque la paire d'enceintes A (les enceintes avant raccordées aux bornes SPEAKERS A) est sélectionnée.
- Veillez à raccorder correctement les cordons comme indiqué sur l'illustration de droite. Des connexions inadéquates peuvent causer des courts-circuits au niveau des bornes SPEAKERS.
- Ne pas laisser de sources de magnétisme près des enceintes.

Relevez le poussoir de la borne, insérez le cordon d'enceinte dans l'orifice, puis refermez le poussoir. Vérifiez si le cordon est bien bloqué.

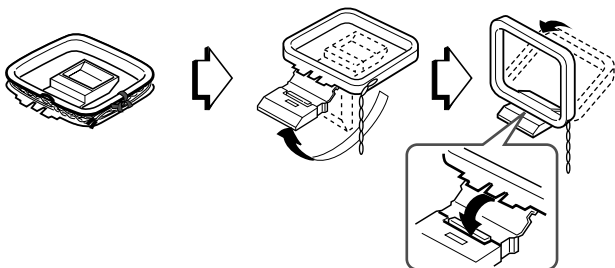


RACCORDEMENT DES ANTENNES FOURNIES ②

Raccordez l'antenne FM aux bornes FM 75 Ω et l'antenne AM aux bornes AM LOOP.



Pour poser l'antenne cadre AM sur une surface
Insérez la saillie dans la rainure comme indiqué sur l'illustration.



Pour positionner les antennes

Antenne fil FM:

Étendez-la à l'horizontale de manière à former un T et fixez ses extrémités au mur.

Antenne cadre AM:

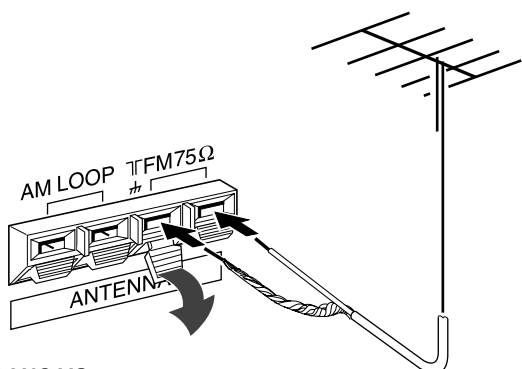
Faites-la pivoter pour trouver la meilleure direction.

REMARQUE

- Ne pas approcher l'antenne FM d'objets métalliques ou de tringles de rideaux.
- Ne pas approcher l'antenne AM d'autres appareils, de l'ampli-tuner, du cordon secteur ou des cordons d'enceintes, car elle pourrait capter du bruit.
- Ne pas dérouler le fil de l'antenne cadre AM.

RACCORDEMENT D'UNE ANTENNE EXTERIEURE

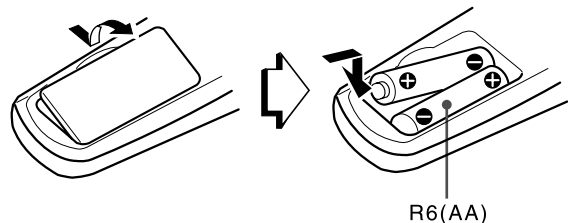
Pour garantir une réception FM de qualité, il est conseillé d'utiliser une antenne extérieure. Raccordez l'antenne extérieure aux bornes FM 75 Ω.



A PROPOS DE LA TELECOMMANDE

Mise en place des piles

Enlevez le couvercle du logement des piles au dos de la télécommande et insérez deux piles R6 (format AA).



Remplacement des piles

La portée maximale de la télécommande, c'est-à-dire la distance entre la télécommande et le capteur de l'ampli-tuner, devrait être de 5 mètres (16 pieds). Quand la portée est réduite, remplacez les piles par des neuves.

Utilisation de la télécommande

Les instructions de ce mode d'emploi indiquent la plupart du temps les touches de l'appareil.

Quelques touches ont deux fonctions.

- Pour utiliser la fonction indiquée sur la touche, ou sur la plaque en noir, appuyez simplement sur la touche.
- Pour utiliser la fonction indiquée sur la plaque en vert, appuyez sur la touche tout en appuyant sur la touche SHIFT.

Important

- La touche **ENTER** de la télécommande **ne se substitue pas à la touche ENTER de l'appareil principal**. Cette touche est destinée à exploiter le lecteur DVD uniquement (voir page suivante.)
- En principe, les touches **TUNING UP** et **DOWN** de la télécommande se substituent aux touches **^ (TUNING UP)** et **∨ (TUNING DOWN)** de l'appareil principal.

Pour sélectionner la fonction (source audio) au moyen de la télécommande

Appuyez plusieurs fois sur la touche **FUNCTION**. La fonction change cycliquement.

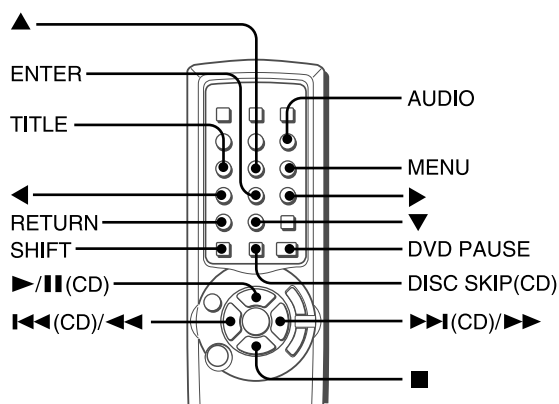
REMARQUE

- Si vous prévoyez de ne pas utiliser l'ampli-tuner pendant une certaine période, enlevez les piles de la télécommande pour éviter toute fuite de l'électrolyte des piles.
- La télécommande risque de ne pas fonctionner correctement quand:
 - La ligne de vue entre la télécommande et le capteur de télécommande dans l'afficheur est exposée à une lumière intense, par exemple la lumière directe du soleil.
 - D'autres télécommandes sont utilisées à proximité (télécommande de téléviseur, par ex.).

Utilisation des lecteurs CD ou DVD AIWA à l'aide de la télécommande

Vous pouvez contrôler les fonctions de base des lecteurs CD ou DVD AIWA à l'aide de la télécommande. En principe, les touches décrites ci-dessous ont la même fonction que celles des lecteurs DVD ou CD.

Pour plus de détails, reportez-vous au mode d'emploi du lecteur.



Utilisation des lecteurs DVD et CD

Appuyez sur la touche suivante.

>/II - Lance la lecture. La touche introduit également une pause de lecture CD.

<<<, >>> - Recherche une plage. Maintenez la touche enfoncée.

<<<, >>> - Ignore une plage du CD. Appuyez plusieurs fois sur la touche.

■ - Arrête la lecture.

Utilisation des lecteurs DVD

Appuyez sur la touche suivante tout en appuyant sur la touche **SHIFT**.

▲, ▼, ◀, ▶ (haut, bas, gauche ou droite) - Déplace le curseur pour sélectionner un programme, etc.

AUDIO - Change une piste audio (langue etc.)

ENTER - Entre le programme sélectionné, etc.

TITLE ou **MENU** - Entre le titre ou l'écran de menu.

RETURN - Retourne au mode précédent, etc.

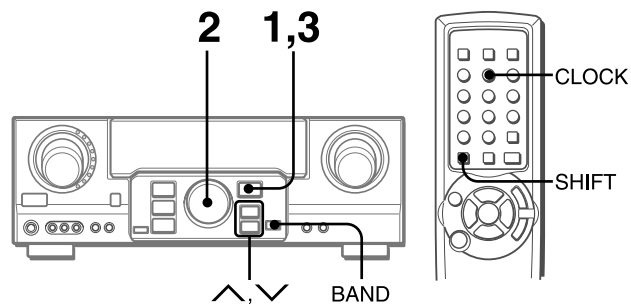
DVD PAUSE - Introduit une pause de lecture d'un DVD.

Utilisation des lecteurs CD

Appuyez sur la touche suivante.

DISC SKIP (CD) - Ignore un disque dans le changeur CD.

REGLAGE DE L'HORLOGE

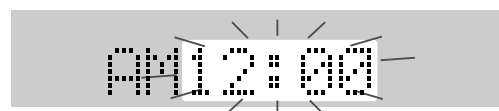


Quand le cordon secteur est raccordé au secteur pour la première fois, l'horloge clignote sur l'afficheur.

Réglez-la de la façon suivante quand l'ampli-tuner est éteint.

1 Appuyez sur la touche ENTER.

L'afficheur devient légèrement plus lumineux.



2 Dans les 4 secondes, tournez MULTI JOG pour désigner l'heure et la minute.

L'heure avance lorsque vous tournez vers la droite et diminue lorsque vous tournez vers la gauche.

La touche **▲** ou **▼** de l'appareil principal est également disponible. Appuyez plusieurs fois de suite sur la touche.

Maintenez-la enfoncée pour changer l'heure rapidement par incréments de 10 minutes.

3 Appuyez sur la touche ENTER.

L'horloge démarre à partir de 00 seconde.

REMARQUE

Lors du premier réglage de l'horloge après l'achat

Toutes les indications de la fenêtre d'affichage disparaissent.

La raison en est que le mode d'économie d'énergie de l'appareil est activé; il ne s'agit pas d'un dysfonctionnement.

Le mode d'économie d'énergie peut être annulé. Pour plus de détails, voir page 7.

Pour remettre l'horloge à l'heure

Appuyez sur l'interrupteur **POWER** pour mettre l'ampli-tuner hors tension. Exécutez les étapes 1 à 3 ci-dessus.

Pour afficher l'heure actuelle

Appuyez sur la touche **CLOCK** tout en appuyant sur la touche **SHIFT** de la télécommande. L'horloge s'affiche pendant 4 secondes.

Lorsque l'alimentation est coupée en mode d'économie d'énergie, le fait d'appuyer sur la touche **ENTER** sur l'appareil permet d'afficher l'heure pendant quatre secondes.

Pour passer au standard de 24 heures

Affichez l'heure actuelle et appuyez sur la touche **BAND** de l'appareil dans les 4 secondes.

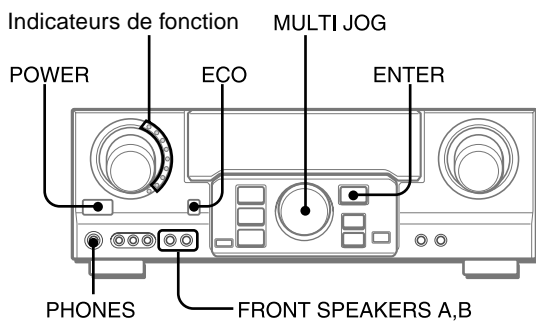
Répétez la même opération pour rétablir le standard de 12 heures. Dans le standard 12 heures, "AM 12:00" indique minuit et "PM12:00" indique midi.

Si l'affichage de l'heure clignote quand l'ampli-tuner est hors tension

Il y a eu une interruption de courant. L'horloge doit être remise à l'heure.

Si l'alimentation est interrompue pendant plus de 24 heures, tous les réglages mémorisés après l'achat doivent être de nouveau effectués.

AVANT DE COMMENCER



Pour mettre l'ampli-tuner sous tension

Appuyez sur la touche POWER.

Le fonctionnement est possible après quatre secondes. Le niveau de VOL (volume) et le nom de la fonction s'affichent l'un après l'autre pendant les quatre premières secondes. L'indicateur de fonction sélectionné s'allume en rouge.

Pour changer la luminosité de l'affichage

- 1 Appuyez plusieurs fois sur ECO jusqu'à ce que "DIM MODE" s'affiche.
- 2 En l'espace de 4 secondes, appuyez sur la touche ENTER.
- 3 En l'espace de 4 secondes, tournez MULTI JOG pour sélectionner le mode d'atténuation comme ci-dessous. Le mode se règle automatiquement après 4 secondes. Il se règle également si vous appuyez sur la touche ENTER dans un délai de 4 secondes après l'étape 3.



- DIM-OFF: Afficheur normal
DIMMER 1: Eclairage de l'afficheur atténué.
DIMMER 2: Eclairage de l'afficheur plus atténué qu'avec DIMMER 1. L'indicateur de fonction s'éteint.

Utilisation d'un casque d'écoute

Raccordez un casque d'écoute à fiche standard stéréo (ø6,3 mm, 1/4 pouce) à la prise PHONES. N'oubliez pas de désactiver les touches FRONT SPEAKERS A et B (■ OFF/arrêt), sinon le son sera fourni par les enceintes.

Sélection de la paire d'enceintes avant

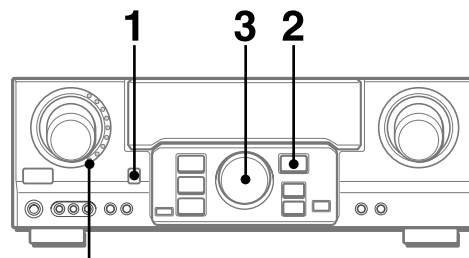
Pour utiliser la paire d'enceintes A: Réglez la touche FRONT SPEAKERS A sur ■ ON (marche).
Pour utiliser la paire d'enceintes B: Réglez la touche FRONT SPEAKERS B sur ■ ON (marche).
Pour utiliser les deux paires d'enceintes: Réglez les deux touches sur ■ ON (marche).
Réglez ces touches sur ■ OFF (arrêt) pour mettre une paire d'enceintes, ou les deux, hors service.

REMARQUE

- Comme les paires d'enceintes avant A et B sont raccordées en série:
 - le son est légèrement réduit quand vous utilisez les deux paires d'enceintes
 - aucun son n'est audible si les touches FRONT SPEAKERS A et B sont enclenchées (■ ON/marche) mais qu'une seule paire d'enceintes est raccordée
- Le son du caisson de grave sera émis uniquement lorsque la paire d'enceintes A (les enceintes avant raccordées aux bornes SPEAKERS A) est sélectionnée.

Pour éteindre l'ampli-tuner, appuyez sur l'interrupteur POWER.

MODE D'ECONOMIE D'ENERGIE (ECO)



Indicateur ECO

Activez l'ampli-tuner en mode ECO pour réduire la consommation d'électricité comme indiqué ci-dessous.

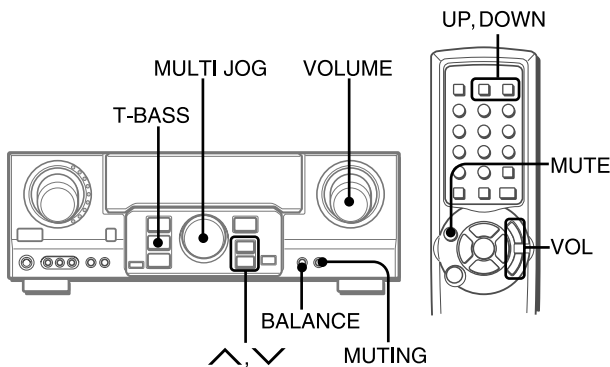
Le réglage par défaut du mode ECO est ON.

- Lorsque l'heure a été réglée, l'affichage de l'horloge disparaît immédiatement.
- Lorsque l'appareil est hors tension, tous les voyants de l'appareil s'éteignent et seul le voyant ECO est allumé en rouge.

Pour désactiver le mode ECO

- 1 Appuyez sur la touche ECO pour afficher ECO MODE alors que l'appareil est sous tension.
- 2 En l'espace de 4 secondes, appuyez sur la touche ENTER.
- 3 En l'espace de 4 secondes, tournez MULTI JOG pour sélectionner ECO OFF.
Le mode se règle automatiquement au bout de 4 secondes. Il se règle également si vous appuyez sur la touche ENTER dans un délai de 4 secondes après l'étape 3.

REGLAGE PERSONNEL DU SON



REGLAGE DE VOLUME

Tournez la commande de VOLUME sur l'ampli-tuner ou appuyez sur les touches VOL de la télécommande.

Le niveau sonore est indiqué sur l'afficheur pendant quatre secondes. Il peut être réglé de 0 à 50 (MAX) mais il clignote s'il est réglé au-dessus du niveau 44.

Le niveau de volume reste mémorisé même après que l'appareil est hors tension. Toutefois, si l'appareil est mis hors tension lorsque le volume est réglé sur 20 ou plus, il est automatiquement ramené à 21 la prochaine fois que l'appareil est mis sous tension.

Pour ajuster la balance gauche/droite des enceintes avant
Appuyez sur la touche BALANCE pour afficher "L/R 0dB", puis appuyez de façon répétée sur la touche ^ (UP) ou v (DOWN) ou tournez MULTI JOG en l'espace de quatre secondes.

Pour couper provisoirement le son

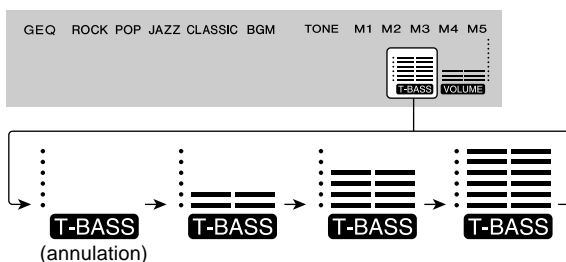
Appuyez sur la touche MUTING (MUTE) (-20 dB). "MUTE ON" apparaît sur l'afficheur pendant quatre secondes. Quand le son est coupé, l'indicateur de fonction sélectionné clignote. Appuyez une nouvelle fois sur la touche MUTING pour rétablir le son.

SYSTEME SUPER T-BASS

Le système T-BASS sert à renforcer le réalisme des basses fréquences.

Appuyez sur la touche T-BASS.

A chaque pression, le niveau change. Sélectionnez un des trois niveaux, ou la position d'annulation si vous préférez.



REMARQUE

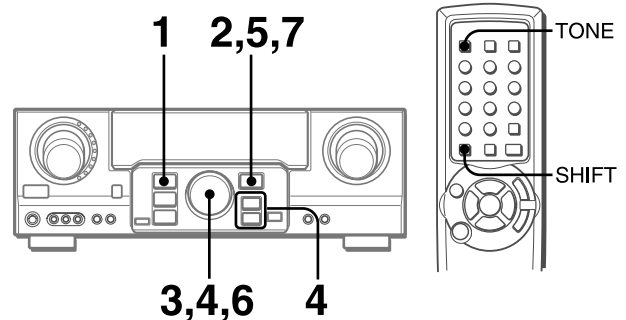
Le son des basses fréquences peut présenter des distorsions quand le système T-BASS est utilisé avec un disque ou une cassette sur lesquels les graves sont amplifiés d'origine. Dans ce cas, mettez le système T-BASS hors service.

REGLAGE DU SON PENDANT L'ENREGISTREMENT

Vous pouvez varier à volonté le volume de sortie et le timbre des enceintes ou du casque sans changer le niveau d'enregistrement.

REGLAGE DE LA TONALITE

Il vous est possible de régler le niveau des basses et des aigus et un maximum de 5 modes de son peuvent être stockés à l'aide des numéros de présélection M1 à M5.



1 Appuyez sur la touche TONE.

2 Dans les 7 secondes qui suivent, appuyez sur la touche ENTER.



3 Tournez MULTI JOG pour ajuster les aigus.

4 Appuyez sur la touche v et tournez MULTI JOG pour régler les basses. Pour régler de nouveau les aigus ou les basses, appuyez sur les touches ^ ou v et tournez MULTI JOG.

Dans les étapes 3 et 4, l'appareil revient en mode normal lorsqu'aucune action n'est effectuée pendant 4 secondes.

5 Appuyez sur la touche ENTER.

TONE M1 est affiché.

6 Tournez MULTI JOG pour sélectionner un numéro de présélection allant de M1 à M5.

7 Dans les 4 secondes qui suivent, appuyez sur la touche ENTER.

Le mode sonore réglé est stocké dans le numéro de présélection correspondant.

Pour régler temporairement le son

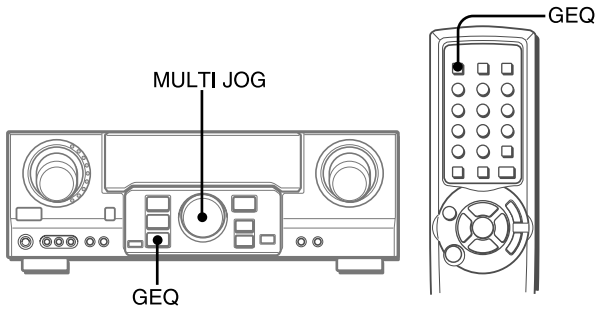
Suivez les étapes 1 à 4 ci-dessus. Le son ainsi réglé reste inchangé jusqu'à une modification FUNCTION ou TONE.

Pour sélectionner un mode présélectionné

Appuyez sur la touche TONE et tournez MULTI JOG jusqu'à ce que le numéro correspondant au mode présélectionné souhaité soit affiché. Pour annuler le mode sélectionné, appuyez deux fois sur la touche TONE.

Si vous utilisez la télécommande, appuyez plusieurs fois sur la touche TONE tout en maintenant la touche SHIFT enfoncée. Les modes M1 à M5 et "TONE OFF" peuvent être sélectionnés.

EGALISEUR GRAPHIQUE ELECTRONIQUE

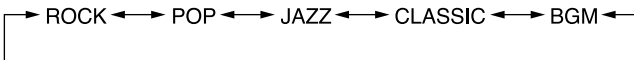


L'ampli-tuner présente les cinq modes d'égalisation suivants.

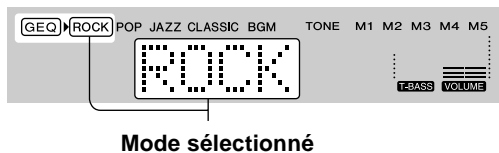
- ROCK:** Son puissant avec accentuation des aigus et des graves
- POP:** Présence améliorée des voix et des médiums
- JAZZ:** Accentuation des basses fréquences pour la musique de type jazz
- CLASSIC:** Son plus riche avec des graves lourds et des aigus fins
- BGM:** Son calme avec graves et aigus supprimés

Appuyez sur la touche **GEQ** (égaliseur graphique) et tournez **MULTI JOG** jusqu'à ce que le mode d'égalisation voulu s'affiche.

Les modes GEQ s'affichent de manière cyclique comme ci-après.



Le nom du mode sélectionné est affiché pendant quatre secondes puis l'indicateur GEQ correspondant est entouré.



Mode sélectionné

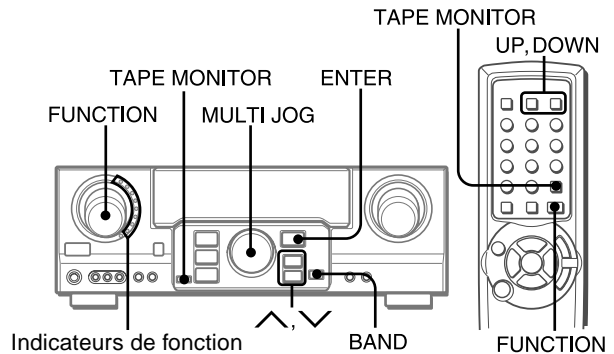
Pour annuler le mode sélectionné

Appuyez sur la touche **GEQ** pour afficher le nom de mode GEQ et appuyez ensuite à nouveau sur cette touche dans les 4 secondes. "GEQ OFF" apparaît sur l'afficheur.

Pour sélectionner le mode avec la télécommande

Appuyez plusieurs fois sur la touche **GEQ** jusqu'à ce que le mode d'égalisation souhaité soit affiché. Cinq modes de présélection et "GEQ OFF" peuvent être sélectionnés.

SELECTION D'UNE SOURCE AUDIO OU VIDEO



1 Sélectionnez la source de programme.

Tournez le sélecteur **FUNCTION** ou appuyez sur la touche **TAPE MONITOR**. L'indicateur de la fonction sélectionnée clignote en rouge.

Pour écouter ou regarder	L'indicateur en rouge
une cassette	TAPE MONITOR
la radio	TUNER
un disque analogique	PHONO
la télévision, etc.	CD
un disque compact	AUX
une cassette vidéo	VIDEO 1/DVD/MD, VIDEO 2/LD/TV, VIDEO 3
un LD ou la télévision câble	VIDEO 2/LD/TV
un MD ou DVD	VIDEO 1/DVD/MD

Les fonctions à sélectionner (excepté PHONO) dépendent de l'appareil raccordé aux bornes d'entrée du panneau arrière de l'appareil.

A sélectionner avec la télécommande

Appuyez plusieurs fois de suite sur la touche **TAPE MONITOR** ou **FUNCTION**.

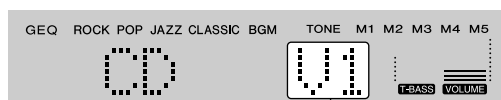
REMARQUE

Quand vous utilisez un tourne-disque avec amplificateur égaliseur intégré, réglez l'interrupteur de l'amplificateur égaliseur sur arrêt. Reportez-vous au mode d'emploi de la platine tourne-disque pour les détails.

2 Démarrez la source de programme sélectionnée.

3 Réglez le son.

A propos de la source vidéo fournie au moniteur ou téléviseur



Source vidéo sélectionné

V1: VIDEO 1, V2: VIDEO 2, V3: VIDEO 3

La source vidéo sélectionnée est indiquée sur l'afficheur et le signal vidéo transmis par la prise MONITOR VIDEO OUT apparaît sur le téléviseur.

Pour sélectionner la source vidéo

- 1 Tournez FUNCTION pour sélectionner PHONO, CD ou AUX.
- 2 Appuyez sur la touche ENTER pour afficher VIDEO 1.
- 3 Tournez MULTI JOG pour sélectionner VIDEO 2 ou VIDEO 3.

Pour changer le nom affiché pour la touche VIDEO 1 et la touche VIDEO 2

Lorsque la fonction VIDEO 1 est sélectionnée, VIDEO 1 apparaît normalement. Vous pouvez le changer par DVD ou MD. Appuyez sur la touche BAND tout en maintenant la touche ENTER enfoncée, et relâchez la touche ENTER en premier. Le nom affiché pour la fonction VIDEO 2 peut être changé en VIDEO 2, LD ou TV; lorsque la fonction VIDEO 2 est sélectionnée, appuyez sur la touche BAND tout en maintenant la touche ENTER enfoncée, et relâchez la touche ENTER en premier.

Pour ajuster le niveau sonore de la source raccordée

Le niveau de sensibilité d'entrée de chaque fonction peut être ajusté (excepté les fonctions TUNER et TAPE MONITOR). Quand le niveau de la source sonore raccordée est plus haut ou bas que celui de la radio, ajustez-le de la façon suivante.

1 Sélectionnez la fonction dont le niveau doit être ajusté.

Tournez FUNCTION et démarrez la lecture de la source.

2 Appuyez de façon répétée sur la touche \wedge (UP) ou \vee (DOWN).

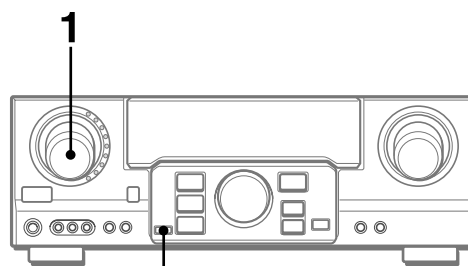


Le niveau peut être ajusté entre -6dB (MIN) et $+8\text{dB}$ (MAX) par pas de 2dB . Ajustez le niveau de sorte que le son soit au même niveau que celui de la radio.

REMARQUE

Le niveau de sensibilité d'entrée de la fonction TAPE MONITOR ne peut pas être ajusté. Même si la fonction TAPE MONITOR est sélectionnée, le fait d'appuyer sur la touche \wedge ou \vee aura pour effet de changer le niveau de la fonction sélectionnée (à l'exception de la fonction TUNER) affiché dans la fenêtre.

ENREGISTREMENT D'UNE SOURCE AUDIO



TAPE MONITOR

1 Sélectionnez la source de programme qui doit être enregistrée.

Tournez FUNCTION.

2 Mettez la platine à cassette ou l'enregistreur MD en mode d'enregistrement.

3 Démarrez la source de programme sélectionnée.

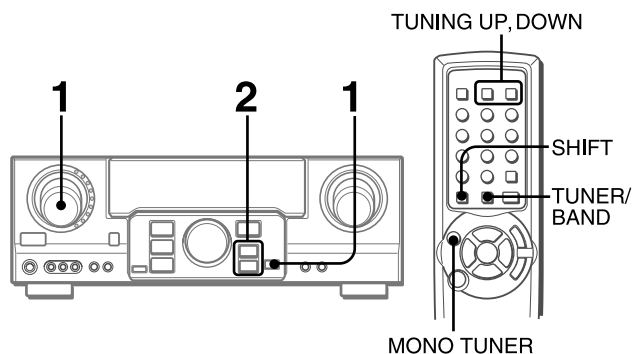
Pour contrôler le son enregistré pendant l'enregistrement (quand la platine à cassette raccordée a trois têtes)

Appuyez sur la touche TAPE MONITOR. "TAPE ON" apparaît sur l'afficheur pendant quatre secondes, puis le nom de la source sélectionnée à l'étape 1 réapparaît. Pour cesser de contrôler le son, appuyez une nouvelle fois sur la touche pour que "TAPE OFF" apparaisse.

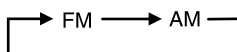
REMARQUE

- Aucun système de contrôle du son n'agit sur l'enregistrement (voir page 8).
- Pour enregistrer des sources audio à l'aide de l'enregistreur MD raccordé aux bornes VIDEO 1/DVD/MD AUDIO OUT, la source vidéo sélectionnée (reportez-vous à la colonne de gauche) doit être V2 ou V3. L'enregistrement ne peut se faire si V1 (VIDEO 1) est sélectionné et affiché dans la fenêtre.
- Le son fourni par la platine à cassette raccordé aux prises TAPE MONITOR IN ne peut pas être enregistré.

ACCORD MANUEL



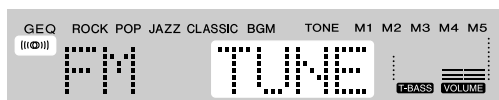
- 1 Tournez FUNCTION pour sélectionner la fonction TUNER et appuyez plusieurs fois de suite sur BAND pour sélectionner la bande voulue.**



La fréquence est indiquée après le nom de la gamme et de la source vidéo (V1, V2 ou V3) pendant deux secondes.

- 2 Appuyez sur \wedge ou \vee pour sélectionner une station.**

A chaque pression sur la touche, la fréquence change. Quand vous recevez une station, "TUNE" est affiché pendant deux secondes. Pendant la réception stéréo FM, ((Ⓜ)) est affiché.



Lors de l'utilisation avec une télécommande

Appuyez sur la touche TUNER/BAND tout en appuyant sur la touche SHIFT à l'étape 1, et sur la touche TUNING DOWN ou UP à l'étape 2.

Pour rechercher une station rapidement sur l'appareil principal (recherche automatique)

Maintenez la touche \wedge ou \vee enfoncée jusqu'à ce que le syntoniseur commence à rechercher une station. Quand une station est accordée, la recherche s'arrête.

Pour arrêter la recherche automatique, appuyez sur la touche \wedge ou \vee .

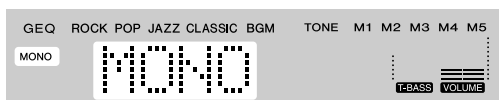
Lors de l'utilisation de la télécommande, maintenez la touche TUNING UP ou DOWN enfoncée.

- La recherche automatique peut ne pas s'arrêter sur les stations dont le signal est trop faible.

Quand une émission FM stéréo est parasitée

Appuyez sur la touche MONO TUNER tout en appuyant sur la touche SHIFT de la télécommande de sorte que "MONO" apparaisse dans la fenêtre d'affichage.

Le bruit est réduit, mais la réception est monophonique.



Pour restaurer la réception stéréo, répétez l'opération ci-dessus pour faire apparaître "STEREO".

Si la réception est parasitée

Eloignez l'appareil des autres appareils électriques, surtout des appareils audio-numériques, ou éteignez les appareils qui génèrent des parasites.

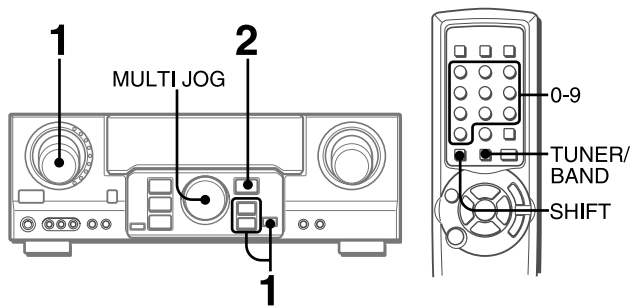
Pour changer l'intervalle d'accord AM

Le réglage par défaut de l'intervalle d'accord AM est de 10 kHz. Si vous utilisez cet ampli-tuner dans un pays où l'attribution des fréquences est de 9 kHz, changez l'intervalle d'accord.

Tout en tenant la touche BAND enfoncée, appuyez sur l'interrupteur POWER.

Pour revenir à l'intervalle initial, refaites les mêmes opérations.

PREREGLAGES DES STATIONS

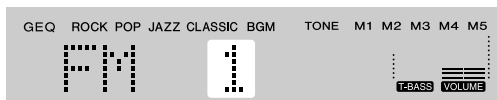


L'ampli-tuner peut mémoriser en tout 32 stations. Quand une station est mémorisée, un numéro de préréglage est affecté à cette station. Utilisez le numéro de préréglage pour accorder directement la station préréglée.

1 Tournez FUNCTION pour sélectionner la fonction TUNER et appuyez plusieurs fois de suite sur la touche BAND pour sélectionner la bande désirée. Appuyez ensuite sur la touche \wedge ou \vee pour sélectionner une station.

2 Appuyez sur la touche ENTER pour sauvegarder la station.

Un numéro de présélection assigné à la station, à commencer par 1 dans l'ordre consécutif pour chaque bande, apparaît dans la fenêtre d'affichage pendant deux secondes.



3 Refaites les opérations 1 et 2.

Aucune station supplémentaire ne sera stockées et "FULL" apparaîtra si un total de 32 stations a déjà été sauvegardé pour toutes les bandes.

REMARQUE

Quand vous changez l'intervalle d'accord AM, toutes les stations préréglées sont supprimées. Vous devez les préréglées une nouvelle fois.

ACCORD DES STATIONS PREREGLEES

1 Tournez FUNCTION pour sélectionner la fonction TUNER et appuyez plusieurs fois de suite sur la touche BAND pour sélectionner une bande.

2 Tournez MULTI JOG pour sélectionner un numéro préréglé.

Lors de l'utilisation avec une télécommande

Appuyez sur la touche TUNER/BAND tout en appuyant sur la touche SHIFT pour sélectionner une bande, puis appuyez sur les touches numériques pour sélectionner un numéro de présélection.

Exemple:

Pour sélectionner le numéro de présélection 25, appuyez sur 2 et 5.

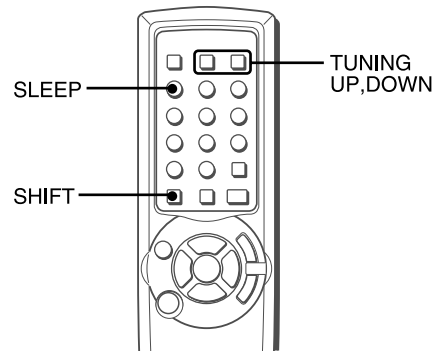
Pour sélectionner le numéro de présélection 7, appuyez sur 0 et 7.

Pour supprimer une station préréglée

Sélectionnez le numéro de la station préréglée à supprimer. Appuyez ensuite sur la touche ENTER et appuyez de nouveau dessus dans les quatre secondes.

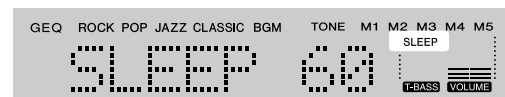
Le numéro de toutes les autres stations préréglées suivantes dans cette bande diminuent d'une unité.

REGLAGE DE LA MINUTERIE D'ARRET



L'ampli-tuner peut être automatiquement mis hors tension à une heure précise.

Appuyez sur la touche SLEEP tout en appuyant sur la touche SHIFT de la télécommande.

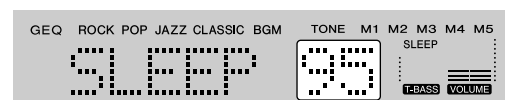


L'appareil se mettra hors tension dans les 60 minutes qui suivent.

Pour désigner le temps de fonctionnement jusqu'à la mise hors tension

Dans les 4 secondes qui suivent l'opération ci-dessus, appuyez plusieurs fois sur la touche TUNING DOWN ou UP.

Vous pouvez modifier le temps entre 5 et 240 minutes par intervalles de 5 minutes.



Temps désigné

Pour vérifier le temps restant jusqu'à la mise hors tension

Appuyez une seule fois sur la touche SLEEP tout en appuyant sur la touche SHIFT. Le temps restant est affiché pendant quatre secondes.

Pour arrêter la minuterie

Appuyez deux fois sur la touche SLEEP tout en appuyant sur la touche SHIFT de sorte que "SLEEPoFF" apparaisse dans la fenêtre d'affichage.

SPECIFICATIONS

Section Tuner FM

Plage d'accord	87,5 MHz à 108 MHz
Sensibilité utilisable (IHF)	13,2 dBf
Bornes d'antenne	75 ohms (asymétrique)

Section Tuner AM

Plage d'accord	530 kHz à 1710 kHz (intervalle de 10 kHz), 531 kHz à 1602 kHz (intervalle de 9 kHz)
Sensibilité utilisable	350 µV/m
Antenne	Antenne cadre

Section Amplificateur

Puissance de sortie	100 watts par canal, minimum RMS à 8 ohms, de 40 Hz à 20 kHz, avec moins de 0,9 % de distorsion harmonique totale
Distorsion harmonique totale	0,08 % (50 W, 1 kHz, 8 ohms, Enceintes avant)
Entrées	AUDIO IN PHONO: 1,5 mV, réglable (47 kohms) VIDEO 1/DVD/MD, VIDEO 2/LD/TV, VIDEO 3, CD, AUX: 200 mV, réglable (47 kohms) TAPE MONITOR: 250 mV (47 kohms) VIDEO IN: 1 Vc-c (75 ohms)

Sorties	AUDIO OUT (REC OUT): 200 mV (1 kohm) VIDEO OUT (MONITOR): 1 Vc-c (75 ohms) SUB WOOFER: 2 V (47 kohms) SPEAKERS IMP: 8Ω (enceintes avant A et B): accepte des enceintes de 8 ohms ou plus. PHONES (jack stéréo): accepte un casque de 32 ohms ou plus -20 dB
Coupure du son	

Généralités

Alimentation	Secteur 120 V, 60 Hz
5Consommation	75 W
Consommation en mode de veille	ECO OFF : 17 W ECO ON : 1 W
Dimensions (l/h/p)	430 × 155 × 392,5 mm (17 × 6 ¹ / ₈ × 15 ¹ / ₂ po.)
Poids	9,1 kg (20 li. 1 on.)

La conception et les spécifications peuvent être modifiées sans préavis.

SOIN ET ENTRETIEN

Un entretien occasionnel de l'ampli-tuner est indispensable pour garantir des performances optimales.

Pour nettoyer le coffret

Utilisez un chiffon doux et sec.

Si la surface est extrêmement sale, utilisez un chiffon légèrement imprégné d'une solution détergente neutre. Ne pas utiliser de solvants puissants, tels que l'alcool, la benzine et du diluant, car ils pourraient abîmer la finition.

EN CAS DE PANNE

Si l'ampli-tuner ne fonctionne pas comme décrit dans le mode d'emploi, vérifiez les points suivants.

GENERAL

Aucun son.

- Est-ce que le cordon secteur est raccordé correctement?
- Est-ce qu'un raccordement n'est pas exact? (→ pages 3 et 4)
- Est-ce qu'il y a un court-circuit au niveau des bornes d'enceintes?
→ Débranchez le cordon secteur, puis raccordez correctement l'enceinte.
- Est-ce que vous avez appuyé sur une mauvaise touche?
- Avez-vous appuyé sur la touche TAPE MONITOR?
- Est-ce que les touches FRONT SPEAKERS A et B sont réglées correctement? (→ page 7)

Son émis par une enceinte seulement.

- Est-ce que la balance BALANCE est réglée correctement ?
- Est-ce que l'autre enceinte est débranchée ?

Le volume sonore est considérablement réduit.

- Est-ce que vous avez appuyé sur la touche MUTING?

Affichage erroné ou dysfonctionnement.

→ Réinitialisez l'ampli-tuner comme indiqué ci-dessous.

SECTION TUNER

Parasites électrostatiques constants.

- Est-ce que l'antenne est correctement raccordée? (→ page 5)
- Est-ce que le signal FM est faible?
→ Raccordez une antenne extérieure.

La réception contient des interférences ou le son présente de la distorsion.

- Est-ce que la chaîne capte du bruit ou est-ce qu'il y a des interférences par trajets multiples?
→ Changez l'orientation de l'antenne.
→ Eloignez l'ampli-tuner des autres appareils électriques.

Pour réinitialiser l'ampli-tuner



Si l'affichage ou le fonctionnement n'est pas normal, réinitialisez l'ampli-tuner de la manière suivante.

- 1 Appuyez sur l'interrupteur POWER pour mettre l'ampli-tuner hors tension.
- 2 Appuyez sur l'interrupteur POWER tout en tenant la touche ENTER enfoncée. Tous les pré-réglages sont effacés.

Si vous ne pouvez pas mettre l'ampli-tuner hors tension à l'étape 1 parce qu'il ne fonctionne pas normalement, réinitialisez-le en débranchant le cordon secteur et refaites l'opération 2.

NOMENCLATURE

Les instructions concernant chaque touche de l'ampli-tuner ou la télécommande se trouvent aux pages indiquées ci-dessous.

(ordre alphabétique)	
AUDIO	6
BALANCE	8
CLOCK	6
BAND (TUNER/BAND)	6, 10-12
DISC SKIP (CD)	6
DVD PAUSE	6
ECO	7
ENTER	5-8, 10, 12, 14
FRONT SPEAKER A, B	7
FUNCTION	5, 9-12
GEQ	9
MENU	6
MONO TUNER	11
MULTI JOG	6-10, 12
MUTING (MUTE)	8
PHONES	7
POWER	7, 11, 14
RETURN	6
SHIFT	6, 8, 11, 12
SLEEP	12
TAPE MONITOR	9, 10
T-BASS	8
TITLE	6
tone	8
TUNING  (DOWN)	5, 6, 10-12
TUNING  (UP)	5, 6, 10-12
VOLUME (VOL)	8

Free Manuals Download Website

<http://myh66.com>

<http://usermanuals.us>

<http://www.somanuals.com>

<http://www.4manuals.cc>

<http://www.manual-lib.com>

<http://www.404manual.com>

<http://www.luxmanual.com>

<http://aubethermostatmanual.com>

Golf course search by state

<http://golfingnear.com>

Email search by domain

<http://emailbydomain.com>

Auto manuals search

<http://auto.somanuals.com>

TV manuals search

<http://tv.somanuals.com>