

# aiwa

COMPACT DISC STEREO RADIO CASSETTE RECORDER  
RADIOCASSETE ESTÉREO CON REPRODUCTOR DE DISCOS COMPACTOS  
RADIO-CASSETTE LECTEUR DE CD STEREO

# CSD-EL300

OPERATING INSTRUCTIONS

**En**  
(English)

MANUAL DE INSTRUCCIONES

**E**  
(Español)

MODE D'EMPLOI

**F**  
(Français)

8A-CH2-903-01  
000205ACK-I-FM

**U**

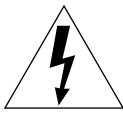
COMPACT  
**disc**  
DIGITAL AUDIO

## WARNING

TO REDUCE THE RISK OF FIRE OR ELECTRIC SHOCK, DO NOT EXPOSE THIS APPLIANCE TO RAIN OR MOISTURE.



### Explanation of Graphical Symbols:



The lightning flash with arrowhead symbol, within an equilateral triangle, is intended to alert the user to the presence of uninsulated "dangerous voltage" within the product's enclosure that may be of sufficient magnitude to constitute a risk of electric shock to persons.



The exclamation point within an equilateral triangle is intended to alert the user to the presence of important operating and maintenance (servicing) instructions in the literature accompanying the appliance.

## PRECAUTIONS

Read the Operating Instructions carefully and completely before operating the unit. Be sure to keep the Operating Instructions for future reference. All warnings and cautions in the Operating Instructions and on the unit should be strictly followed, as well as the safety suggestions below.

### Installation

- 1 Water and moisture** – Do not use this unit near water, such as near a bathtub, washbowl, kitchen sink, laundry tub, in a wet basement, swimming pool, or the like.
- 2 Heat** – Do not use this unit near sources of heat, including heating vents, stoves, or other appliances that generate heat. It also should not be placed in temperatures less than 5°C (41°F) or greater than 35°C (95°F).
- 3 Mounting surface** – Place the unit on a flat, even surface.
- 4 Ventilation** – The unit should be situated with adequate space around it so that proper heat ventilation is assured. Allow 10 cm (4 in.) clearance from the rear and the top of the unit, and 5 cm (2 in.) from the each side.
  - Do not place the unit on a bed, rug, or similar surface that may block the ventilation openings.
  - Do not install the unit in a bookcase, cabinet, or airtight rack where ventilation may be impeded.
- 5 Objects and liquid entry** – Take care that objects or liquids do not get inside the unit through the ventilation openings.
- 6 Carts and stands** – When placed or mounted on a stand or cart, the unit should be moved with care. Quick stops, excessive force, and uneven surfaces may cause the unit or cart to overturn or fall.



- 7 Condensation** – Moisture may form on the CD pickup lens when:
  - The unit is moved from a cold spot to a warm spot
  - The heating system has just been turned on
  - The unit is used in a very humid room
  - The unit is cooled by an air conditioner
 When this unit has condensation inside, it may not function normally. Should this occur, leave the unit for a few hours, then try to operate again.
- 8 Wall or ceiling mounting** – The unit should not be mounted on a wall or ceiling, unless specified in the Operating Instructions.

### Electric Power

- 1 Power sources** – Use on batteries or AC house current, as specified in the Operating Instructions and marked on the unit.
- 2 Polarization** – As a safety feature, some units are equipped with polarized AC power plugs which can only be inserted one way into a power outlet. If it is difficult or impossible to insert the AC power plug into an outlet, turn the plug over and try again. If it still does not easily insert into the outlet, please call a qualified service technician to service or replace the outlet. To avoid defeating the safety feature of the polarized plug, do not force it into a power outlet.
- 3 AC power cord**
  - When disconnecting the AC power cord, pull it out by the AC power plug. Do not pull the cord itself.
  - Never handle the AC power plug with wet hands, as this could result in fire or shock.
  - Power cords should be firmly secured to avoid being bent, pinched, or walked upon. Pay particular attention to the cord from the unit to the power socket.
  - Avoid overloading AC outlets and extension cords beyond their capacity, as this could result in fire or shock.
- 4 Extension cord** – To help prevent electric shock, do not use a polarized AC power plug with an extension cord, receptacle, or other outlet unless the polarized plug can be completely inserted to prevent exposure of the blades of the plug.
- 5 When not in use** – Unplug the AC power cord from the AC outlet or remove all the batteries if the unit will not be used for several months or more. When the cord is plugged in, a small amount of current continues to flow to the unit, even when the power is turned off.

### Maintenance

Clean the unit only as recommended in the Operating Instructions.

### Damage Requiring Service

Have the unit serviced by a qualified service technician if:

- The AC power cord or plug has been damaged
  - Foreign objects or liquid have gotten inside the unit
  - The unit has been exposed to rain or water
  - The unit does not seem to operate normally
  - The unit exhibits a marked change in performance
  - The unit has been dropped, or the cabinet has been damaged
- DO NOT ATTEMPT TO SERVICE THE UNIT YOURSELF.**

### Owner's record

For your convenience, record the model number and serial number (you will find them on the rear of your set) in the space provided below. Please refer to them when you contact your Aiwa dealer in case of difficulty.

Model No.	Serial No. (Lot No.)
CSD-EL300	

# TABLE OF CONTENTS

---

## PREPARATIONS

---

POWER SUPPLY .....	4
REMOTE CONTROL .....	4
BEFORE OPERATION .....	5
SETTING THE CLOCK .....	5

## SOUND

---

ADJUSTING THE SOUND .....	6
---------------------------	---

## TAPE PLAYBACK

---

TAPE OPERATIONS .....	7
-----------------------	---

## RADIO RECEPTION

---

MANUAL TUNING .....	8
PRESETTING STATIONS .....	9

## CD PLAYING

---

CD OPERATIONS .....	10
---------------------	----

## RECORDING

---

RECORDING .....	12
-----------------	----

## TIMER

---

TIMER PLAY/TIMER RECORDING .....	13
SETTING THE SLEEP TIMER .....	13

## GENERAL

---

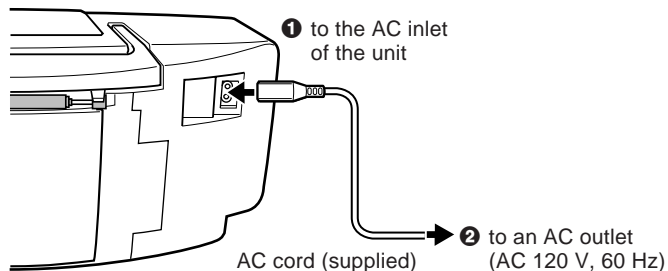
CARE AND MAINTENANCE .....	14
TROUBLESHOOTING GUIDE .....	14
SPECIFICATIONS .....	15
PARTS INDEX .....	Back cover

En

## POWER SUPPLY

### USING ON AC HOUSE CURRENT

Connect the AC cord as illustrated below.



The OPE/BATT indicator lights up while the power is on.

#### CAUTION

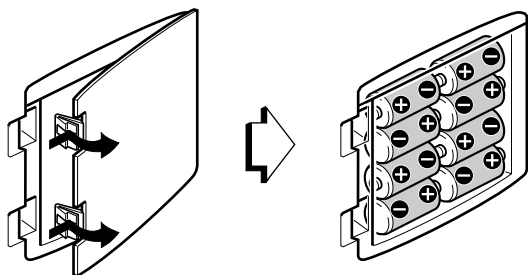
Use only the supplied AC cord. Use with other cords may result in the risk of fire.

### USING ON BATTERIES

Open the lid of the battery compartment on the rear and insert eight R14 (size C) batteries, not supplied, as illustrated below. Then close the lid.

**To switch from AC power supply to battery power supply**, disconnect the AC cord from the AC inlet.

- When using the unit on the batteries, the display will not be illuminated.



#### The batteries need to be replaced when:

The OPE/BATT indicator becomes dim, the tape speed slows down, volume decreases, or sound is distorted during operation.

#### Notes on batteries

To avoid damage from leakage or explosion, observe the following:

- Insert the batteries with the  $\oplus$  and  $\ominus$  marks correctly aligned.
- Do not mix different types of batteries or old batteries with new ones.
- Never recharge the batteries, apply heat to them or take them apart.
- Remove dead batteries.

If liquid leaks from the batteries, wipe thoroughly to remove.

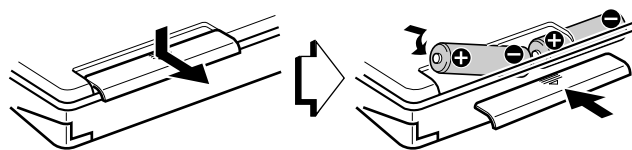
#### NOTE

If power is interrupted for more than 12 hours, all settings stored in memory, such as the clock, the timer, and the presetting of the broadcasting stations, are cleared and need to be set again.

## REMOTE CONTROL

### INSERTING BATTERIES

Detach the battery cover on the rear of the remote control and insert two R03 (size AAA) batteries.



#### When to replace the batteries

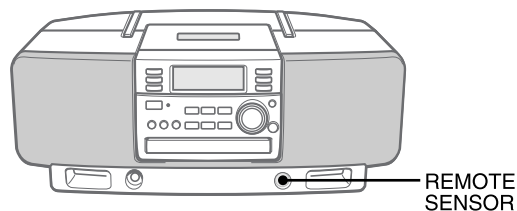
The maximum operational distance between the remote control and the remote sensor on the main unit should be approximately 5 meters (16 feet). When this distance decreases, replace the batteries with new ones.

### USING THE REMOTE CONTROL

Some operations can be performed using the buttons on the remote control only, or those on the main unit only, while others can be performed using the buttons on the main unit as well as the remote control. This instructions manual clearly describes the buttons available for each operation.

#### To use the buttons

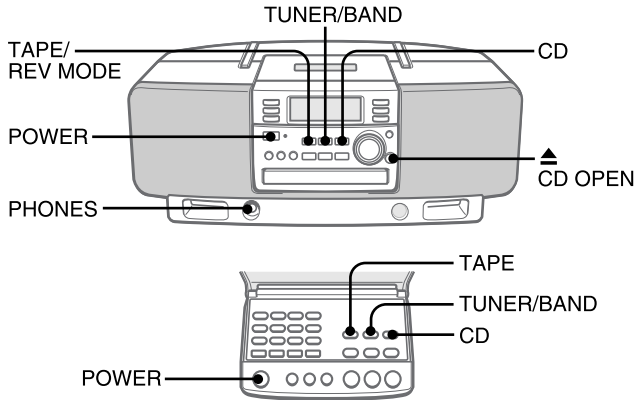
Point the remote control at the REMOTE SENSOR on the main unit to use the buttons on the remote control.



#### NOTE

- If the unit is not going to be used for an extended period of time, remove the batteries to prevent possible electrolyte leakage.
- The remote control may not operate correctly when:
  - The line of sight between the remote control and the unit is exposed to intense light, such as direct sunlight
  - Other remote controls are used nearby (television, etc.)
- The  $\blacktriangleright$  button on the remote control has the same function as that of the  $\blacktriangleleft$  button on the main unit.

# BEFORE OPERATION



### To turn the unit on

Press one of the function buttons (TAPE/REV MODE, TUNER/BAND, CD). Playback of the inserted disc or tape begins, or the previously tuned station is received (Direct Play Function). The POWER button is also available. Pressing the ▲ CD OPEN button turns the unit on as well.

### After use

Press the POWER button to turn off the power. The display changes to the clock.

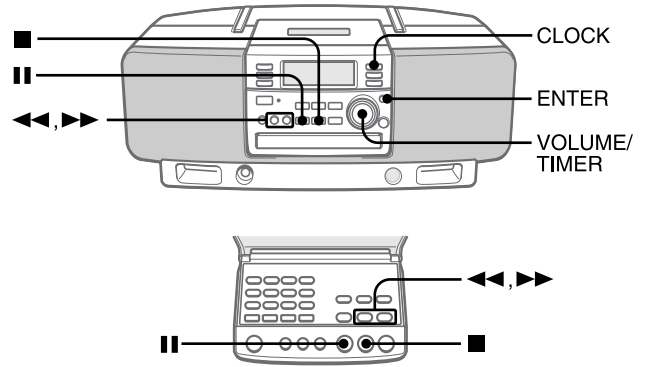
### NOTE

When using on the batteries, you cannot turn the power on with the remote control.

### To use the headphones

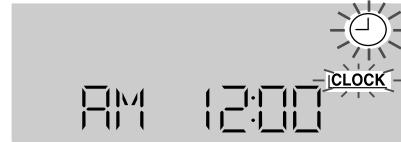
Connect headphones with a stereo mini plug (ø3.5 mm, 1/8 inch) to the PHONES jack. No sound is output from the speakers while the headphones are plugged in.

# SETTING THE CLOCK



When the power cord is plugged into an AC outlet for the first time after purchase, the clock display flashes.

- 1 Press the **CLOCK** button. ☉ flashes.



(12-hour standard)

- 2 Turn the **VOLUME/TIMER** control to adjust the clock. For quick adjustment, turn the control quickly. You can also press the ◀◀ or ▶▶ button. Holding these buttons down will vary the time in 20-minute units.
- 3 Press the **ENTER** or || button to complete the setting. ☉ on the display disappears and the clock starts from 00 seconds.

### To display the current time

Press the CLOCK button. To return to the operation display, press the CLOCK button or one of the function buttons.

### To switch to the 12/24-hour standard

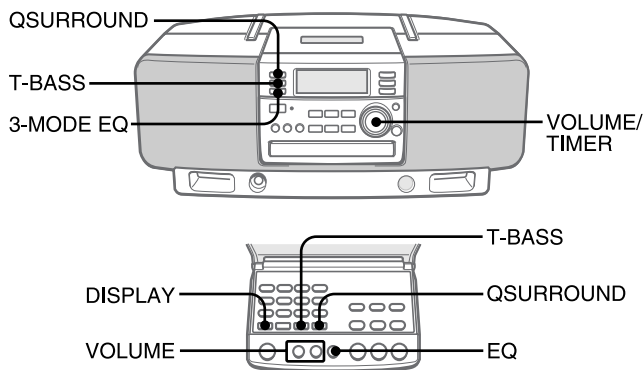
While the clock is displayed, press the ■ button. In the 12-hour standard, "AM 12:00" indicates midnight and "PM 12:00" indicates noon.

### If the clock display flashes while the power is off

This is caused by a power interruption. The current time needs to be reset. If power is interrupted for more than approximately 12 hours, all settings stored in memory after purchase need to be reset.

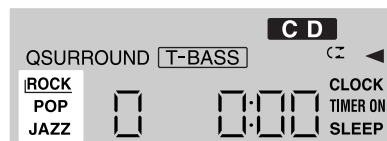
En

# ADJUSTING THE SOUND



## EQUALIZER MODE

Press the 3-MODE EQ button on the unit or the EQ button on the remote control repeatedly. The mode changes to the ROCK, POP, JAZZ or normal mode cyclically.



**ROCK:** Powerful sound emphasizing treble and bass  
**POP:** More presence in the vocals and midrange  
**JAZZ:** Accented lower frequencies for jazz-type music

## VOLUME CONTROL

Turn the **VOLUME/TIMER** control on the main unit or press the **VOLUME** buttons on the remote control.

The volume level is displayed as a number from 0 to MAX (31). The volume level is automatically set to 21 if the power is turned off when the volume level is set to 22 or more.

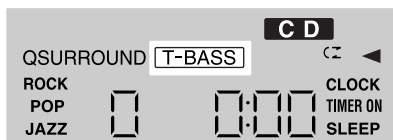
**To display the current volume level**

Press the **DISPLAY** button on the remote control. The volume level is displayed for 4 seconds.

## SUPER T-BASS SYSTEM

The T-BASS system enhances the realism of low-frequency sound.

Press the **T-BASS** button.



To cancel, press the button again.

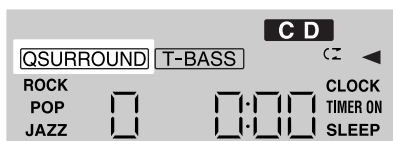
### NOTE

Low frequency sound may be distorted when the T-BASS system is used for a disc or tape in which low frequency sound is originally emphasized. In this case, cancel the T-BASS system.

## Q SURROUND SYSTEM

The Q SURROUND system built into this unit uses only two speakers at the left and right to create an atmosphere that sound as if you are surrounded by two front speakers and two rear speakers.

Press the **QSURROUND** button.

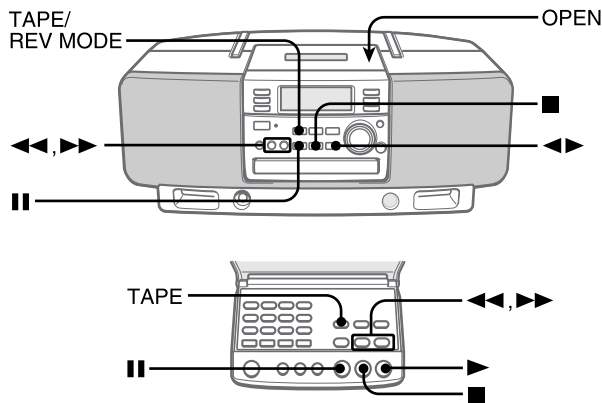


To cancel, press the button again.

### NOTE

- The Q SURROUND system does not work in monaural mode.
- At higher volumes, turning Q SURROUND on may cause sound distortion. In this case, turn the volume down.

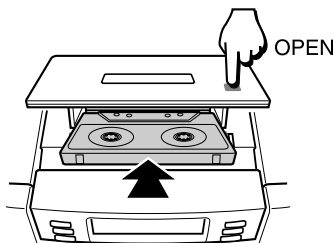
# TAPE OPERATIONS



## INSERTING A TAPE

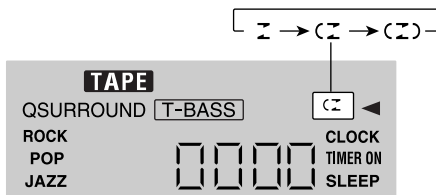
Use Type I (normal) tapes only.

Press the **TAPE/REV MODE** button (or the **TAPE** button on the remote control) and press the **OPEN** mark to open the cassette holder.



Insert a tape with the exposed side facing forward. Push the cassette holder to close.

**To select a reverse mode**  
Each time the **TAPE/REV MODE** (TAPE) button is pressed, the reverse mode changes.

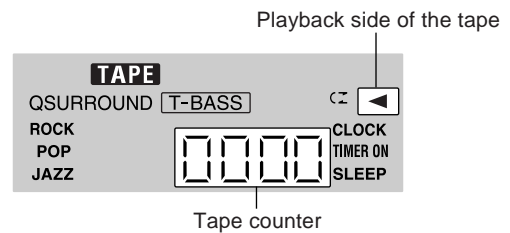


To play one side only, select **I**.  
To play from front side to back side once only, select **CZ**.  
To play both sides repeatedly, select **(CZ)**.

## PLAYING BACK A TAPE

Insert a tape.

Press the **◀▶** button (or the **▶** button on the remote control) to start play.



◀: The side facing upward is being played (forward).  
▶: The opposite side is being played (reverse).

**To stop play**, press the **■** button.

**To pause play**, press the **||** button. To resume play, press again.

**To change the playback side**, press the **◀▶** button in play mode.

**To fast forward or rewind**, press the **◀◀** or **▶▶** button in stop mode. Then press the **■** button to stop the tape.

**To start play when the power is off (Direct Play Function)**

Press the **TAPE/REV MODE** (TAPE) button. The power is turned on and play of the inserted tape begins.

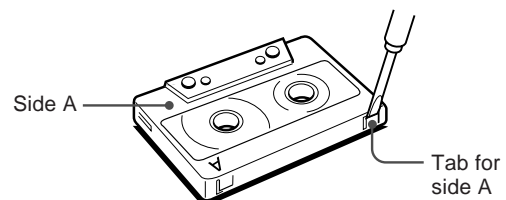
**To set the tape counter to 0000**

Press the **■** button in stop mode.

The counter is also set to 0000 when the cassette holder is opened.

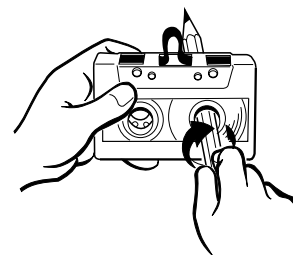
### About cassette tapes

- **To prevent accidental erasure**, break off the plastic tabs on the cassette tape with a screwdriver or other pointed tool after recording.

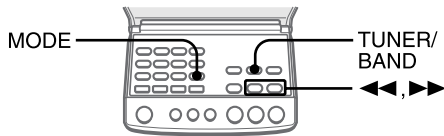
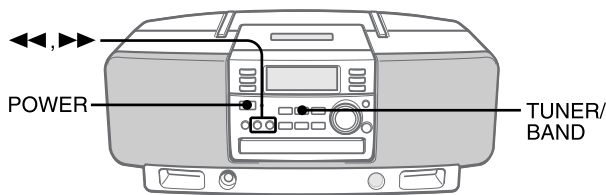


To record on the tape again, cover the tab openings with adhesive tape, etc.

- **120-minute or longer tapes** are extremely thin and easily deformed or damaged. They are not recommended.
- **Take up any slack** in the tape with a pencil or similar tool before use. Slack tape may break or jam in the mechanism.



# MANUAL TUNING



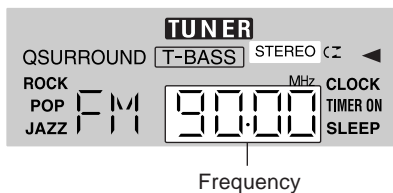
**1 Press the TUNER/BAND button repeatedly to select the desired band.**



If the power is turned off, the previously tuned station will be played (Direct Play Function).

**2 Press the ◀◀ or ▶▶ button to select a station.**

Each time the button is pressed, the frequency changes. During FM stereo reception, "STEREO" is displayed.



Frequency

**To search for a station quickly (Auto Search)**

Keep the ◀◀ or ▶▶ button pressed until the radio starts searching for a station. After tuning in to a station, the search stops.

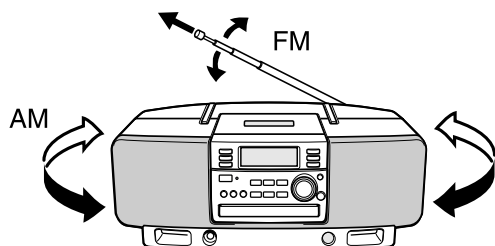
To stop the Auto Search manually, press the ◀◀ or ▶▶ button.

- The Auto Search may not stop at stations with very weak signals.

**For better reception**

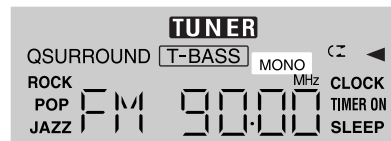
**FM**  
Extend the FM antenna and orient it for the best reception.

**AM**  
The AM antenna is inside the unit. Position the unit for the best reception.



**When an FM stereo broadcast contains noise**

Press the MODE button on the remote control. MONO appears on the display. Noise is reduced, although reception is monaural.



To restore stereo reception, repeat the above again.

**To change the AM tuning interval**

The default setting of the AM tuning interval is 10 kHz/step. If you use this unit in an area where the frequency allocation system is 9 kHz/step, change the tuning interval.

Press the POWER button while pressing the TUNER/BAND button on the unit.

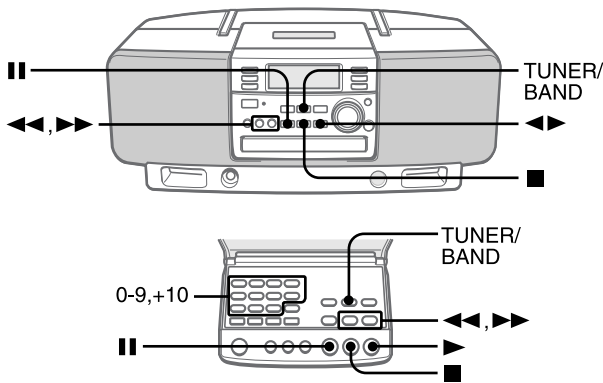
To reset the interval, repeat this procedure.

**NOTE**

When the AM tuning interval is changed, all preset stations (see "PRESETTING STATIONS") are cleared. The preset stations have to be set again.

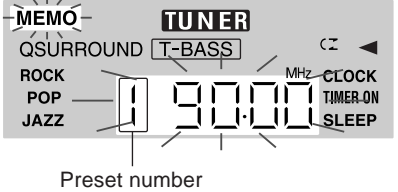


# PRESETTING STATIONS



You can preset up to 15 stations in each band. When a station is stored, a preset number is assigned to the station. Use the preset number to tune in to a preset station directly.

- 1 Press the TUNER/BAND button to select a band. Then, press the ◀◀ or ▶▶ button to select a station.**
- 2 Press the || button to store the station.**  
A station is assigned a preset number, beginning from 1 in consecutive order for each band.



- 3 Repeat steps 1 and 2.**

# PRESET NUMBER TUNING

Use the remote control to select the preset number directly.

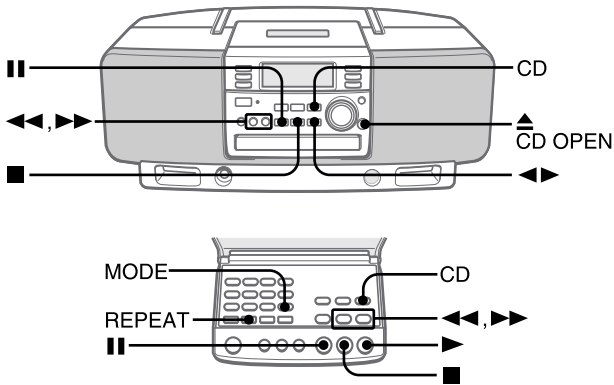
- 1 Press the TUNER/BAND button to select a band.**
- 2 Press the numbered buttons to select a preset number.**  
**Example:**  
To select preset number 15, press the +10 and 5 buttons.  
To select preset number 10, press the +10 and 0 buttons.

**Another method to select a preset number**  
Press the TUNER/BAND button to select a band. Then, press the ◀▶ button (or the ▶▶ button) repeatedly. Each time the button is pressed, the next ascending number is selected.

**To clear a preset station**  
Select the preset station to be cleared. Then, press the ■ button, and press the || button within 4 seconds. The preset numbers of all other stations in the band with higher numbers are also decreased by one.

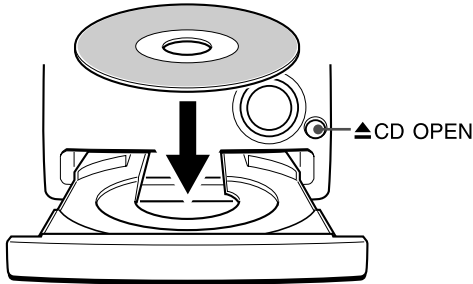
En

# CD OPERATIONS

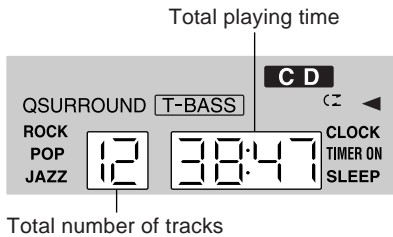


## LOADING A DISC

Press the CD button, press the CD OPEN button to open the disc compartment, and load a disc with a label side up. Then press the CD OPEN button again to close the disc compartment.



Total number of tracks and total playing time are displayed. It will take about 15 seconds when loading a CD-RW disc.

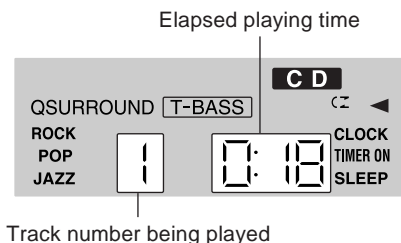


## PLAYING A DISC

Load a disc.

Press the ◀▶ button (or the ▶ button on the remote control).

Play begins with the first track.



To stop play, press the ■ button.

To pause play, press the || button. To resume play, press again.

To search for a particular point during playback, keep the ◀◀ or ▶▶ button pressed and release the button at the desired point.

To skip to the beginning of a track during playback, press the ◀◀ or ▶▶ button repeatedly.

To remove the disc, press the CD OPEN button.

To start play when the power is off (Direct Play Function) Press the CD button. The power is turned on and play of the loaded disc begins.

To replace the disc before play, press the CD OPEN button to open the disc compartment.

### Selecting a track with the remote control

Press the numbered buttons and the +10 button to select a track.

#### Example:

To select the 25th track, press the +10, +10 and 5 buttons.

To select the 10th track, press the +10 and 0 buttons.

The selected track starts to play and play continues to the end of that disc.

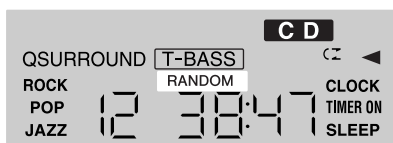
### NOTE

- The unit may not play a CD-R/RW disc that is recorded on personal computers or some kinds of CD-R/RW recorders because of differences in recording platforms.
- Do not attach any seal or label to either side (the recordable side or the labeled side) of a CD-R/RW disc. It may cause malfunction.
- When loading an unrecorded CD-R/RW disc, it may take about 15 seconds to open the disc compartment after pressing the ▲ CD OPEN button.
- Do not use irregular shape CDs (example: heart-shaped, octagonal ones). It may result in malfunctions.
- When loading an 8-cm (3-inch) disc, put it onto the inner circle of the tray.
- Do not place more than one compact disc on the disc tray.

## RANDOM PLAY

All the tracks on the disc can be played randomly.

- 1 In stop mode, press the **MODE** button on the remote control repeatedly until **RANDOM** lights up on the display.



- 2 Press the **▶ (◀▶)** button to start play.

### To cancel the random play

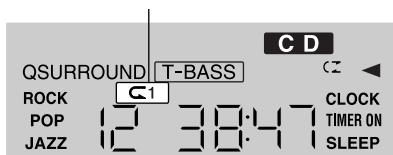
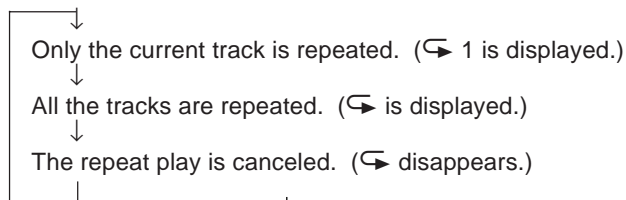
Press the **MODE** button twice in stop mode. **RANDOM** disappears and the normal display appears.

### NOTE

- Even if the **◀◀** button is pressed, a previously played track cannot be skipped. The unit returns to the beginning of the current track only.
- During random play, one-track repeat (**↶ 1**) cannot be performed.
- If you select tracks with the numbered buttons, random play is canceled.

## REPEAT PLAY

One track or all the tracks can be played repeatedly. Press the **REPEAT** button repeatedly on the remote control. Each time it is pressed, the play mode can be selected cyclically.



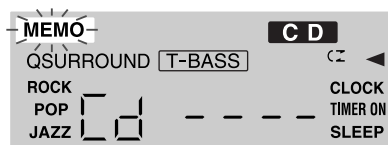
### To repeat random play

First press the **MODE** button to activate random play. Then press the **REPEAT** button so that **↶** lights up on the display.

## PROGRAMMED PLAY

Up to 30 tracks can be programmed from the inserted disc. Use the remote control.

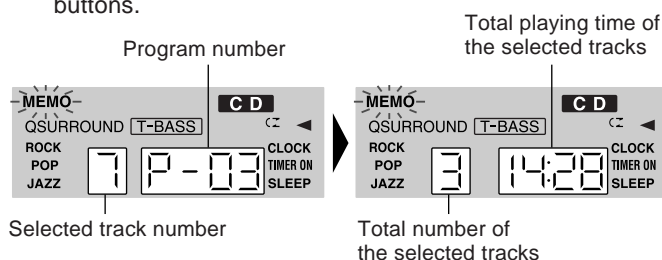
- 1 In stop mode, press the **MODE** button on the remote control repeatedly until **MEMO** flashes on the display.



- 2 Press the numbered buttons and the **+10** button to program a track.

### Example:

To select the 12th track, press the **+10** and **2** buttons. To select the 20th track, press the **+10**, **+10** and **0** buttons.



- 3 Repeat step 2 to program other tracks.
- 4 Press the **▶ (◀▶)** button to start play.

### To check the program

Each time the **▶▶** button is pressed in stop mode, a track number and program number will be displayed.

### To clear the program

Press the **■** button in stop mode. Removing the CD from the unit will also clear the program.

### To add tracks to the program

Before playing, repeat step 2. The new track will be programmed after the last track.

### To change the programmed tracks

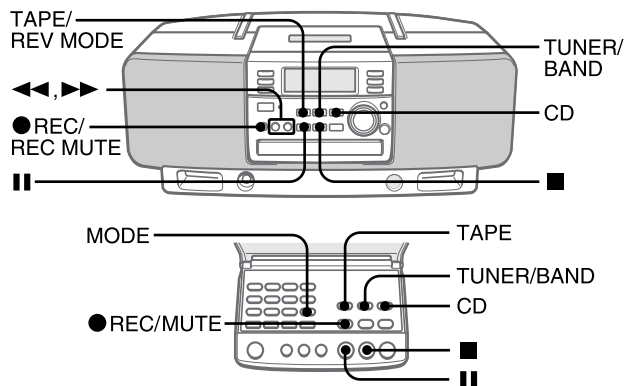
Clear the program and repeat all the steps.

### NOTE

- If the total playing time of selected tracks exceeds 99 minutes and 59 seconds, or if a track number 31 or higher is selected, the total playing time of the selected tracks will be represented by **--:--**. Although the total playing time cannot be seen, the tracks are memorized.
- During programmed play, the random play cannot be selected.

# RECORDING

This section explains how to record from the radio or CD player.

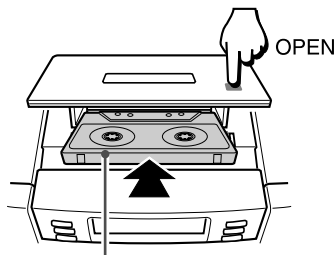


### Preparation

- Set the tape to the point where recording will start.
- Use Type I (normal) tapes only.

### 1 Insert the tape to be recorded.

Insert the tape with the side to be recorded on facing up and the exposed side facing forward.



Insert with the recording side up.

### 2 Press the TAPE/REV MODE (TAPE) button to select the reverse mode.

To record on one side only, select .  
 To record on both sides, select or .  
 If the recording starts from the reverse side, recording will be done on this side only even if or is selected.

### 3 Press one of the function buttons and prepare the source to be recorded.

**To record from a CD,** press the CD button and load the disc, then press the or button to select the track to be recorded first.

**To record from a radio broadcast,** press the TUNER/BAND button and tune in to a station.

### 4 Press the ● REC/REC MUTE button to start recording.

REC on the display flashes.  
 When the selected function is CD, playback and recording start simultaneously.

### NOTE

When operating with the remote control, press the ● REC/MUTE button for 1 second to start recording.

**To stop recording,** press the button.  
**To pause recording,** press the button. (Applicable when the source is RADIO.) To resume recording, press again.

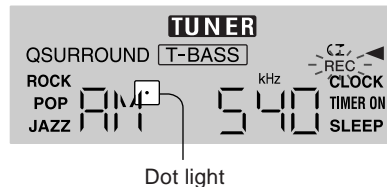
### To record only the selected tracks

Select the tracks in the same procedure for programmed play (page 11), then start recording.

### NOTE

If squealing or beating sounds occur when recording an AM broadcast, press the MODE button on the remote control, so as to eliminate the noise.

Each time the button is pressed, the dot light on the display is turned on and off.



Dot light

## INSERTING BLANK SPACES

When recording from a radio broadcast, 4-second blank spaces can be inserted at the desired point. This helps you locate the desired portion on the tape when it is played back later on another cassette deck, etc., having music sensor function.

### NOTE

Blank spaces cannot freely be inserted when recording from a CD.

### 1 Press the ● REC/REC MUTE button during recording or while in recording pause mode.

The flashing REC on the display becomes quicker and the tape runs without recording (blank spaces are inserted).

After 4 seconds, the tape pauses (recording pause mode).

**To make blank spaces less than 4 seconds,** press the ● REC/REC MUTE button again while REC flashes quickly.

**To make blank spaces more than 4 seconds,** press the ● REC/REC MUTE button again after the deck enters the recording pause mode. Each time it is pressed, a 4-second blank space is added.

### 2 Press the button to resume recording.

### To erase a recording

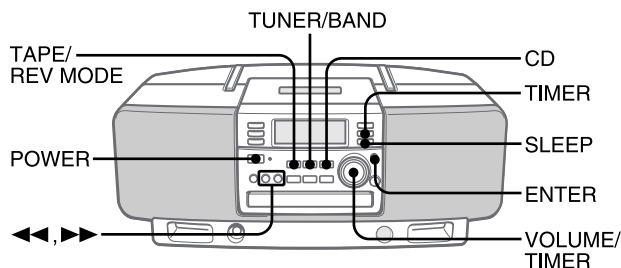
- 1 Press the TAPE/REV MODE button and insert the tape to be erased.
- 2 Set the tape to the point where the erasure is to be started.
- 3 Press the ● REC/REC MUTE button to start the erasure.

### Sound adjustment during recording

The output volume and tone of the speakers or headphones may be freely varied without affecting the level of the recording.

# TIMER PLAY/TIMER RECORDING

The unit can be turned on at a specified time every day with the built-in timer.

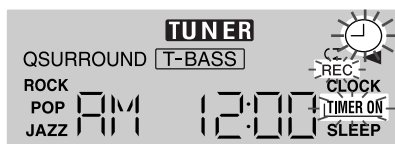


### Preparation

Make sure the clock is set correctly.

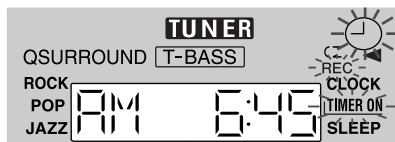
**1 Press the TIMER button once for timer play so that ☉ flashes.**

**Press the TIMER button twice for timer recording so that ☉ and REC flash.**



**2 Turn the VOLUME/TIMER control to designate the timer-on time.**

The ◀◀ or ▶▶ button is also available. Press the button repeatedly. Holding the button down will vary the time in 20-minute units.

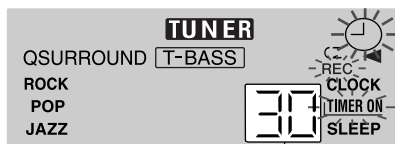


Timer-on time

**3 Press the ENTER button.**

**4 Turn the VOLUME/TIMER control to designate the timer-activated period.**

The time changes between 5 and 180 minutes in 5-minute units. The ◀◀ or ▶▶ button is also available.



Timer-activated period

**5 Press the ENTER button.**

**6 Prepare the source.**

**To listen to a CD,** press the CD button and load the disc.

**To listen to a tape,** press the TAPE/REV MODE button and insert the tape.

**To listen to the radio,** press the TUNER/BAND button and tune in to a station.

**To record from a radio broadcast,** press the TUNER/BAND button and tune in to a station, and insert the tape to be recorded on.

**7 Turn the VOLUME/TIMER control to set the volume.**

**8 Press the POWER button to turn the unit off.**

When the timer-on time is reached, the unit turns on and play begins with the selected source.

### NOTE

- Timer play and timer recording will not begin unless the power is turned off. If you used the unit after setting the timer, prepare the source, adjust the volume and tone, then turn off the power.
- Timer recording from a CD is not possible.
- You can also set the timer while the power is off. But in steps 1 to 5, the unit returns to the clock display if there is no operation for 2 minutes.

### To check the timer setting

- 1 Press the TIMER button once for timer play, or twice for timer recording. The timer-on time is displayed.
- 2 Press the ENTER button. The timer-activated period is displayed.
- 3 Press the ENTER button to restore the display.

### To cancel timer standby mode

Press the TIMER button repeatedly so that ☉ or ☉REC disappears on the display.

To restore the timer standby mode, press again to display ☉ or ☉REC.

### To reset the timer

Set the timer again from the beginning.

En

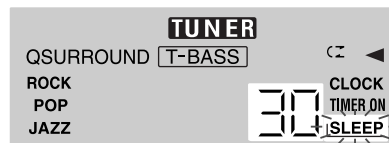
# SETTING THE SLEEP TIMER

The unit can be turned off automatically at a specified time.

**1 Press the SLEEP button.**

**2 Within 4 seconds, turn the VOLUME/TIMER control to select the time until the power is turned off.**

The time changes between 5 and 180 minutes in 5-minute units. "OFF" can be selected as well. The ◀◀ or ▶▶ button is also available.



### To check the time remaining until the power is turned off

Press the SLEEP button once.

The remaining time is displayed for 4 seconds.

### To cancel the sleep timer

Press the SLEEP button twice.

## CARE AND MAINTENANCE

Occasional care and maintenance of the unit and the software are needed to optimize the performance of your unit.

### To clean the cabinet

Use a soft and dry cloth.

If the surfaces are extremely dirty, use a soft cloth lightly moistened with mild detergent solution. Do not use strong solvents, such as alcohol, benzine or thinner as these could damage the finish of the unit.

### To clean the heads

When the tape heads are dirty;

- high frequency sound is not emitted
- the sound is not adequately high
- the sound is off-balance
- the tape cannot be erased
- the tape cannot be recorded on

After every 10 hours of use, clean the tape heads with a head cleaning cassette.

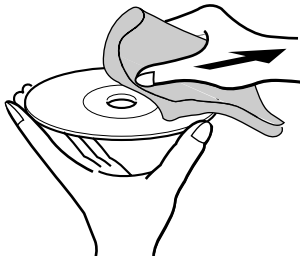
Use separately sold dry-type or wet-type cleaning cassette. Refer to the instructions of the cleaning cassette for details.

### To demagnetize the heads

The heads may become magnetized after long-term use. This may narrow the output range of recorded tapes and increase noise. After 20 to 30 hours use, demagnetize the heads with any commercially available demagnetizer.

### Care of discs

- When a disc becomes dirty, wipe the disc from the center out with a cleaning cloth.



- After playing a disc, store the disc in its case. Do not leave the disc in places that are hot or humid.

### Care of tapes

- Store tapes in their cases after use.
- Do not leave tapes near magnets, motors, television sets, or any source of magnetism. This will downgrade the sound quality and cause noise.
- Do not expose tapes to direct sunlight, or leave them in a car parked in direct sunlight.

## TROUBLESHOOTING GUIDE

If the unit fails to perform as described in these Operating Instructions, check the following guide.

### GENERAL

#### There is no sound.

- Is the AC cord connected properly?
- If you intend to use the unit on batteries, are the batteries correctly inserted?
- Was an incorrect function button pressed?

#### An erroneous display or a malfunction occurs.

→ Reset the unit as stated below.

### TUNER SECTION

#### The reception contains noise interferences or the sound is distorted.

- Is the unit picking up external noise or multipath distortion?  
→ Change the orientation of the antenna or the unit.
- Move the unit away from other electrical appliances.

### CASSETTE DECK SECTION

#### The tape does not run.

- Is the deck in pause mode? (→ page 7)

#### The sound is off-balance or not adequately high.

- Is the playback head dirty? (→ page 14)

#### Recording is not possible.

- Is the erasure prevention tab on the tape broken off?  
(→ page 7)
- Is the recording head dirty? (→ page 14)

#### Erasure is not possible.

- Is the erasure head dirty? (→ page 14)
- Is a metal tape or CrO<sub>2</sub> tape being used?

#### High frequency sound is not emitted.

- Is the recording/playback head dirty? (→ page 14)

#### The tape is not removed.

→ If you try to use the unit when the batteries are depleted, the tape may stop during play or recording, and the cassette holder will not open.

Should this occur, replace the batteries with new ones or connect the supplied AC cord to the unit, then remove the tape.

### CD PLAYER SECTION

#### The CD player does not play.

- Is the disc correctly inserted? (→ page 10)
- Is the disc dirty? (→ page 14)
- Is the lens affected by condensation?  
→ Wait approximately one hour and try again.

### To reset

If an unusual condition occurs in the display window or the cassette deck, reset the unit as follows.

- 1 Press the POWER button to turn off the power.
- 2 Press the POWER button to turn the power back on while pressing the ■ button. Everything stored in memory after purchase is canceled.

If the power cannot be turned off in step 1 because of a malfunction, reset by disconnecting the AC cord and remove all the batteries, and then repeat step 2.

# SPECIFICATIONS

---

## FM tuner section

**Tuning range** 87.5 MHz to 108 MHz  
**Antenna** Rod antenna

## AM tuner section

**Tuning range** 530 kHz to 1710 kHz (10 kHz step)  
531 kHz to 1602 kHz (9 kHz step)  
**Antenna** Ferrite bar antenna

## Cassette deck section

**Track format** 4 tracks, 2 channels stereo  
**Frequency response** Normal tape: 50 Hz – 12500 Hz  
**Recording system** AC bias  
**Heads** Recording/playback head × 1,  
Erasure head × 1

## Compact disc player section

**Laser** Semiconductor laser ( $\lambda = 780 \text{ nm}$ )  
**D-A converter** 1 bit dual

## General

**Speakers** 100 mm cone type × 2  
**Power output** 2.5 W + 2.5 W (10% T.H.D./7  $\Omega$   
DC)  
**Output** PHONES (stereo minijack)  
**Power requirements** DC 12 V using eight size C (R14)  
batteries  
120 V AC, 60 Hz  
**Power consumption** 20 W  
**Dimensions of main unit (W × H × D)**  
440 × 165 × 225 mm  
(17 <sup>3</sup>/<sub>8</sub> × 6 <sup>1</sup>/<sub>2</sub> × 8 <sup>7</sup>/<sub>8</sub> in.)  
**Weight of main unit** 3.8 kg (8 lb 6 oz.)  
not including batteries  
**Accessories** AC cord (1)  
Remote control (1)

- Specifications and external appearance are subject to change without notice.

## COPYRIGHT

Please check the laws on copyright relating to recordings from discs, radio or external tapes for the country in which the machine is being used.

## NOTE

This equipment has been tested and found to comply with the limits for a Class B digital device, pursuant to Part 15 of the FCC Rules. These limits are designed to provide reasonable protection against harmful interference in a residential installation.

This equipment generates, uses, and can radiate radio frequency energy and, if not installed and used in accordance with the instructions, may cause harmful interference to radio communications. However, there is no guarantee that interference will not occur in a particular installation. If this equipment does cause harmful interference to radio or television reception, which can be determined by turning the equipment off and on, the user is encouraged to try to correct the interference by one or more of the following measures:

- Reorient or relocate the receiving antenna.
- Increase the separation between the equipment and receiver.
- Connect the equipment into an outlet on circuit different from that to which the receiver is connected.
- Consult the dealer or an experienced radio/TV technician for help.

## CAUTION

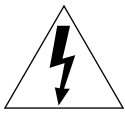
Modifications or adjustments to this product, which are not expressly approved by the manufacturer, may void the user's right or authority to operate this product.

## ADVERTENCIA

PARA REDUCIR EL RIESGO DE INCENDIO O DESCARGA ELECTRICA, NO EXPONGA ESTE APARATO A LA LLUVIA O LA HUMEDAD.



### Explicación de los símbolos gráficos:



El símbolo del rayo dentro de un triángulo equilátero advierte al usuario de la presencia de "tensión peligrosa" no aislada dentro de la cubierta del producto que puede ser de magnitud suficiente como para suponer un riesgo de choque eléctrico para las personas.



El símbolo de exclamación dentro de un triángulo equilátero advierte al usuario de la presencia de instrucciones de uso y mantenimiento importantes en la documentación que acompaña al aparato.

## PRECAUCIONES

Lea con atención y en su totalidad las Manual de instrucciones, antes de utilizar la unidad. Asegúrese de guardar las Instrucciones de funcionamiento para su consulta en el futuro. Todas las advertencias y precauciones en dichas instrucciones deben cumplirse estrictamente, junto con las recomendaciones de seguridad a continuación.

### Instalación

- 1 Agua y humedad** — No emplee esta unidad cerca del agua, como cerca de una bañera, ducha, piscina o similar.
- 2 Calor** — No utilice esta unidad cerca de fuentes de calor, incluyendo conductos de ventilación, hornos u otros aparatos que generen calor. No debe colocarla en lugares con una temperatura inferior a 5°C o superior a 35°C.
- 3 Superficie de montaje** — Coloque la unidad sobre una superficie plana y regular.
- 4 Ventilación** — La unidad debe colocarse con el espacio adecuado alrededor, para que pueda disiparse correctamente el calor. Deje un espacio de 10 cm en la parte trasera y superior de la unidad, y 5 cm a ambos lados.
  - No coloque la unidad sobre una cama, alfombra o superficie similar que pueda bloquear las aberturas de ventilación.
  - No instale la unidad en una estantería, gabinete o soporte hermético en que pueda obstaculizarse la ventilación.
- 5 Entrada de objetos o líquidos** — Tenga cuidado de que no entren objetos o líquidos dentro de la unidad por las aberturas de ventilación.
- 6 Soportes móviles y carros** — Cuando monte la unidad sobre un soporte móvil o carro, deber moverla con cuidado. Las paradas rápidas, fuerza excesiva o superficies irregulares pueden causar que la unidad o el soporte móvil se vuelquen o caigan.



- 7 Condensación** — Puede condensarse humedad en el objetivo de recogida del disco compacto en los siguientes casos:
  - Cuando mueva la unidad de un sitio frío a otro caliente
  - Acabe de encenderse la calefacción
  - Utilice la unidad en una habitación con gran humedad
  - La unidad se enfríe por el aire acondicionado
 Cuando se haya condensado humedad dentro de la unidad, es posible que no funcione correctamente. Si es así, déjela apagada varias horas e intente utilizarla otra vez.
- 8 Montaje en una pared o techo** — La unidad no debe montarse sobre una pared o un techo, a menos que se especifique otra cosa en las Manual de instrucciones.

### Alimentación eléctrica

- 1 Fuentes de alimentación** — Conecte esta unidad sólo a las fuentes de alimentación especificadas en las Manual de instrucciones, de la forma marcada en la unidad.
- 2 Polarización** — Como función de seguridad, algunas unidades están equipadas con enchufes de CA polarizados que sólo pueden introducirse de una forma en los enchufes. Si es difícil o imposible insertar el enchufe de CA en una toma, déle la vuelta y vuelva a intentarlo. Si no se introduce fácilmente, llame a un técnico cualificado para que arregle o cambie la toma. Para no omitir la función de seguridad el enchufe polarizado, no lo fuerce si no entra bien en el enchufe.
- 3 Cable de alimentación de CA**
  - Cuando desconecte el cable de alimentación de CA, tire del adaptador de enchufe de CA. No tire del cable.
  - No manipule el adaptador de enchufe de CA con las manos mojadas, ya que puede producirse un incendio o una descarga eléctrica.
  - Los cables de alimentación deben estar firmemente fijados, para evitar que puedan doblarse excesivamente, pinzarse o pisarse. Ponga especial atención en el cable desde la unidad hasta la toma de alimentación.
  - Evite sobrecargar los tomacorrientes de CA y los cables de extensión por encima de su capacidad ya que pueden producirse incendios o descargas eléctricas.
- 4 Cable de extensión** — Para evitar choques eléctricos, no utilice el cable de alimentación polarizado con un cable de extensión, enrollable u otra toma a no ser que el enchufe polarizado pueda insertarse completamente para evitar la exposición de las clavijas del enchufe.
- 5 Cuando no utilice la unidad** — Desenchufe el cable de alimentación de CA del tomacorriente de CA si no va a utilizar la unidad durante varios meses o más tiempo. Cuando el cable está conectado, sigue fluyendo una corriente reducida a la unidad, aunque esté apagada.

### Mantenimiento

Limpie la unidad sólo como se recomienda en las Manual de instrucciones.

### Daños que requieren reparaciones

- Haga que un técnico cualificado repare esta unidad en los siguientes casos:
- El cable de alimentación o el adaptador de enchufe de CA se han dañado.
  - Han entrado objetos o líquido en el interior de la unidad.
  - La unidad se ha expuesto a la lluvia o el agua.
  - La unidad parece funcionar incorrectamente.
  - La unidad muestra cambios evidentes en su funcionamiento.
  - La unidad se ha caído o su carcasa est dañada.
- NO INTENTE REPARAR LA UNIDAD POR SU CUENTA.**

### Historial del usuario

Para su conveniencia, escriba el número del modelo y el número de serie (los encontrará en la parte posterior del aparato) en el espacio que se suministra en la caja de abajo. Cítelos siempre que se ponga en contacto con su proveedor de productos Aiwa en caso de cualquier dificultad.

Nº Modelo	Nº Serie (Nº Lote)
CSD-EL300	



# ÍNDICE

---

## PREPARACIONES

---

ALIMENTACIÓN .....	4
MANDO A DISTANCIA .....	4
ANTES DE LA OPERACIÓN .....	5
AJUSTE DEL RELOJ .....	5

## SONIDO

---

AJUSTE DEL SONIDO .....	6
-------------------------	---

## REPRODUCCIÓN DE CINTAS

---

OPERACIONES CON LAS CINTAS .....	7
----------------------------------	---

## RECEPCIÓN DE LA RADIO

---

SINTONIZACIÓN MANUAL .....	8
PRESINTONIZACIÓN DE EMISORAS .....	9

## REPRODUCCIÓN DE DISCOS COMPACTOS

---

OPERACIONES CON LOS DISCOS COMPACTOS .....	10
--	----

## GRABACIÓN

---

GRABACIÓN .....	12
-----------------	----

## TEMPORIZADOR

---

REPRODUCCIÓN/GRABACIÓN CON EL TEMPORIZADOR .....	13
AJUSTE DEL TEMPORIZADOR DE APAGADO .....	13

## GENERAL

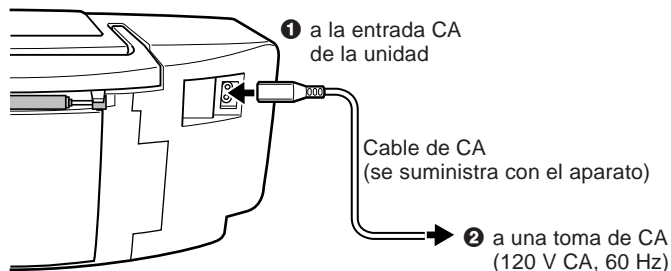
---

CUIDADOS Y MANTENIMIENTO .....	14
SOLUCIÓN A PEQUEÑOS PROBLEMAS .....	14
ESPECIFICACIONES .....	15
ÍNDICE DE LOS COMPONENTES .....	Cubierta trasera

## ALIMENTACIÓN

### USO CON ALIMENTACIÓN DE UNA TOMA ELÉCTRICA EN EL PROPIO HOGAR

Conecte el cable de alimentación de CA como puede apreciar en la siguiente ilustración.



El indicador OPE/BATT se enciende cuando el aparato está encendido.

#### PRECAUCIÓN

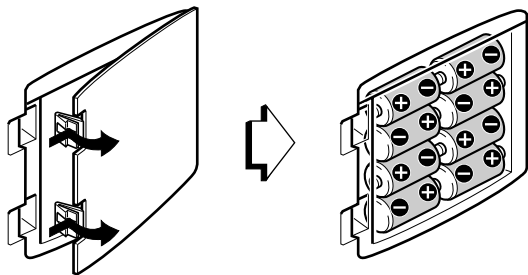
Use únicamente el cable de CA que se suministra con el aparato. La utilización de otros cables puede representar un peligro de incendio.

### USO CON LAS BATERÍAS

Abra la tapa del compartimento de las baterías situado en la parte posterior e inserte ocho baterías R14 (tamaño C), no suministradas, como puede apreciar en la ilustración de abajo. Cierre a continuación la tapa.

**Para cambiar de alimentación CA a alimentación con baterías,** desconecte el cable de CA de la entrada de CA.

- Cuando el aparato se utiliza con pilas, la pantalla no se iluminará.



#### Necesitará recambiar las baterías cuando:

Vea oscurecerse el indicador OPE/BATT, se ralentice la velocidad de la cinta, disminuya el volumen o el sonido se distorsione durante la operación.

#### Notas sobre las baterías

Para evitar dañar por escapes o explosiones, tenga en cuenta lo siguiente:

- Inserte las baterías con las marcas + y - alineadas correctamente.
- No mezcle distintos tipos de baterías ni viejas con nuevas.
- No recargue nunca las baterías. No las caliente ni las parta.
- Quite baterías que ya no tengan ninguna potencia.

Si ve que hay escapes líquidos de las baterías, frote para limpiar concienzudamente y quite las baterías.

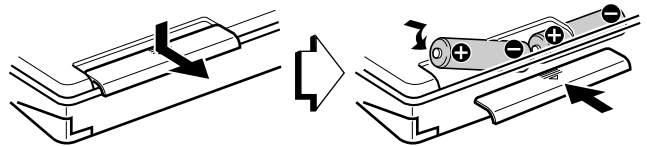
#### NOTA

Si se interrumpe la alimentación durante más de 12 horas, todos los ajustes guardados en memoria, como el de reloj, el de temporizador y la presintonización de emisoras de radio serán borrados y deberá realizar los preajustes de nuevo.

## MANDO A DISTANCIA

### CÓMO INSERTAR BATERÍAS

Quite la tapa del compartimento de las baterías situada en la parte posterior del mando a distancia e inserte dos baterías R03 (tamaño AAA).



#### Cuándo recambiar las baterías

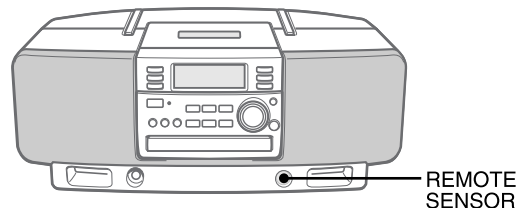
La máxima distancia operacional entre el mando a distancia y el sensor remoto de la unidad principal debería ser de aproximadamente 5 metros. Cuando esta distancia disminuya, recambie las baterías por otras nuevas.

### USO DEL MANDO A DISTANCIA

Algunas operaciones sólo pueden realizarse usando los botones del mando a distancia, o sólo con los mandos de la unidad principal, mientras que otras pueden llevarse a cabo utilizando tanto los botones de la unidad principal como los del mando a distancia. Este manual de instrucciones describe claramente los botones disponibles para cada operación.

#### Para usar los botones

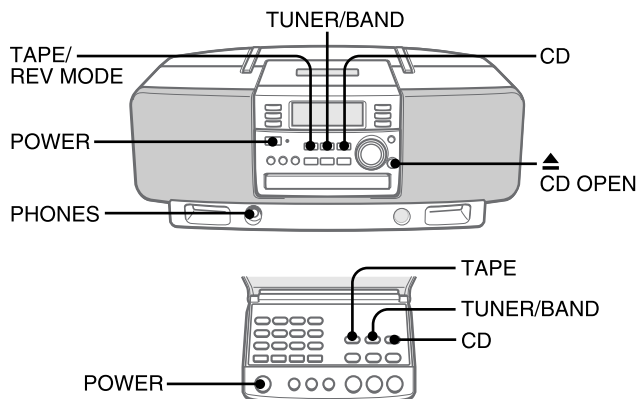
Para utilizar los botones del mando a distancia, apunte al REMOTE SENSOR del aparato principal con el mando a distancia.



#### NOTA

- Si la unidad no va a utilizarse durante largos períodos de tiempo, saque las baterías para evitar posibles escapes electrolíticos.
- El mando a distancia puede no funcionar correctamente cuando:
  - La línea de visión entre el mando a distancia y la unidad esté expuesta a una intensa luz, como por ejemplo la luz solar.
  - Otros mandos a distancia se utilicen las cercanías del aparato (el del televisor, etc).
- El botón ► del mando a distancia tiene la misma función que el botón ◀► de la unidad principal.

## ANTES DE LA OPERACIÓN



### Cómo encender la unidad

Pulse uno de los botones (TAPE/REV MODE, TUNER/BAND, CD).

Comenzará la reproducción del disco o de la cinta que se haya cargado o de la cinta, o se escuchará la emisora previamente sintonizada (Función de Reproducción Directa). También dispone del botón POWER.

Oprimiendo el botón ▲ CD OPEN se enciende también en aparato.

### Después del uso

Pulse el botón POWER para apagar el aparato. La visualización de la pantalla cambiará a la del reloj.

### NOTA

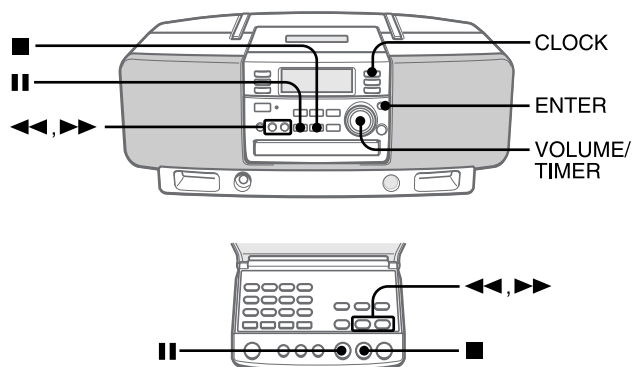
Cuando use las baterías no podrá apagar el aparato con el mando a distancia.

### Cómo conectar los auriculares

Conecte los auriculares con un miniconector (ø3,5 mm) a la toma PHONES.

Observará que no se produce sonido de los altavoces mientras los auriculares estén conectados.

## AJUSTE DEL RELOJ



Cuando se conecta el cable de alimentación en un enchufe de la pared por vez primera después de comprar el aparato, la indicación del reloj parpadea.

### 1 Pulse el botón CLOCK.

Verá parpadear ☺.



(estándar de 12 horas)

### 2 Gire el control VOLUME/TIMER para ajustar el reloj.

Para llevar a cabo un ajuste rápido, gire el control rápidamente.

Puede pulsar también el botón ◀◀ o ▶▶. Seguir manteniendo estos botones hará que la hora se siga cambiando en saltos de 20 minutos cada vez.

### 3 Pulse el botón ENTER o || para completar el ajuste.

Verá desaparecer ☺ de la pantalla y el reloj comenzará a contar desde 00 segundos.

### Cómo visualizar la hora actual

Pulse el botón CLOCK.

Para regresar a la pantalla de operación, pulse el botón CLOCK o uno de los botones de función.

### Para cambiar al estándar de 12/24 horas

Mientras se visualiza el reloj, pulse el botón ■.

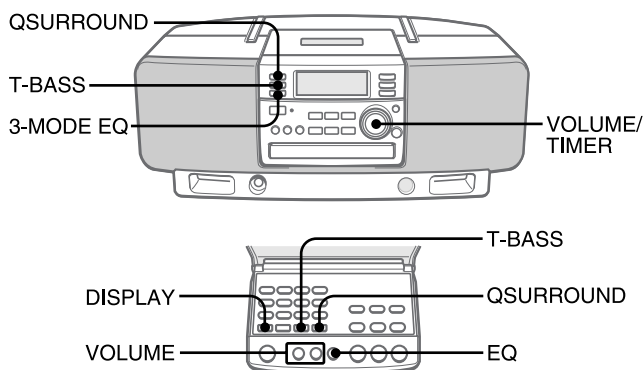
En la modalidad de indicación de 12 horas, "AM 12:00" indica la medianoche y "PM 12:00" indica el mediodía.

### Si la pantalla del reloj parpadea mientras el aparato está apagado

Esto es debido a una interrupción de la potencia. La hora actual deberá ser reseteada.

Si se interrumpe la potencia durante más de aproximadamente 12 horas, los valores de todos los ajustes guardados en memoria después de la adquisición del aparato se borrarán y deberán ser llevados a cabo de nuevo.

## AJUSTE DEL SONIDO



## CONTROL DEL VOLUMEN

Gire el control **VOLUME/TIMER** que verá en la unidad principal o pulse los botones **VOLUME** del mando a distancia.

El nivel de volumen se indica en la pantalla en forma numérica desde 0 hasta MAX (31). Cuando se apaga el aparato el nivel del volumen se ajusta automáticamente en 21 si se ajustó en 22 ó más.

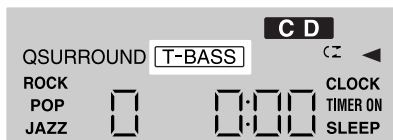
### Cómo visualizar el nivel de volumen actual

Pulse el botón **DISPLAY** del mando a distancia. El nivel de volumen se visualiza durante 4 segundos.

## SISTEMA SUPER T-BASS

El sistema T-BASS aumenta el realismo del sonido de bajas frecuencias.

**Pulse el botón T-BASS.**



**Para cancelar,** pulse de nuevo el botón.

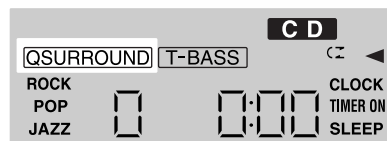
### NOTA

Puede distorsionarse el sonido de bajas frecuencias cuando el sistema T-BASS se usa con un disco o cinta en la que el sonido de baja frecuencia ya estaba realzado originalmente. En estos casos, cancele el sistema T-BASS.

## SISTEMA Q SURROUND

El sistema Q SURROUND que lleva incorporado este aparato usa solamente dos altavoces a la derecha y a la izquierda para crear una atmósfera que suena como si estuviese rodeado por dos altavoces frontales y dos traseros.

**Pulse el botón Q SURROUND.**



**Para cancelar,** pulse de nuevo el botón.

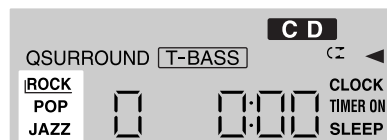
### NOTA

- El sistema Q SURROUND no funciona en modo monoaural.
- Activar Q SURROUND cuando el volumen esté muy alto puede causar distorsiones en el sonido. En estos casos, baje el volumen.

## MODO DEL ECUALIZADOR

Oprima repetidamente el botón 3-MODE EQ del aparato o el botón EQ del mando a distancia.

La modalidad cambia cíclicamente a ROCK, POP, JAZZ o modalidad normal.

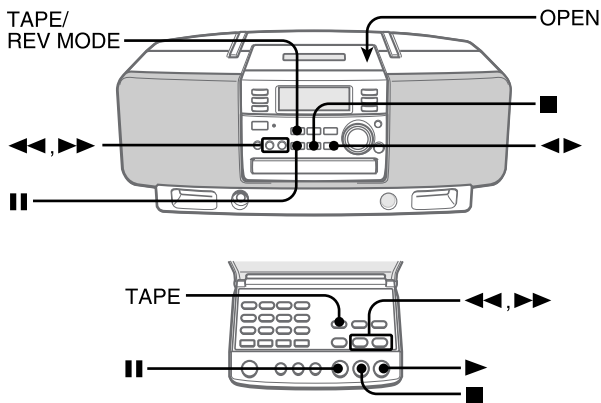


**ROCK:** Fuerte sonido que realza graves y agudos.

**POP:** Mayor presencia de las vocales y gamas medias.

**JAZZ:** Acentuación de las frecuencias inferiores para música de tipo jazz.

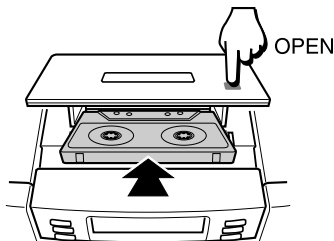
# OPERACIONES CON LAS CINTAS



## CÓMO INSERTAR UNA CINTA

Use únicamente cintas del Tipo I (normales).

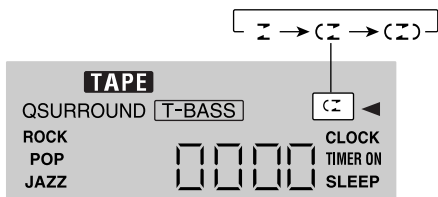
Oprima el botón **TAPE/REV MODE** (o el botón **TAPE** del mando a distancia) y presione sobre la marca **OPEN** para abrir el portacasete.



Inserte una cinta con la cara expuesta mirando hacia arriba. Empuje el portacasetes para cerrarlo.

### Cómo seleccionar un modo de inversión

Cada vez que pulse el botón **TAPE/REV MODE** (**TAPE**), cambiará el modo de inversión.

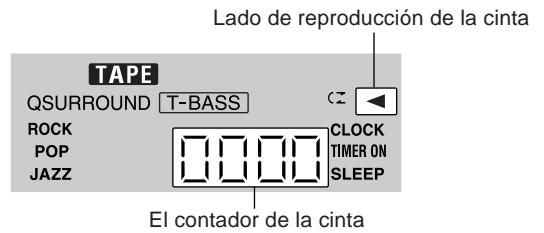


Para reproducir sólo una cara, seleccione .  
 Para reproducir desde la cara delantera a la trasera sólo una vez, seleccione .  
 Para reproducir ambas caras repetidamente, seleccione .

## REPRODUCCIÓN DE UNA CINTA

Inserte una cinta.

Pulse el botón (o el botón del mando a distancia) para iniciar la reproducción.



- : El lado que mira hacia arriba es el que se está reproduciendo (hacia adelante).
- : El lado opuesto es el que se está reproduciendo (inversión).

Para detener la reproducción, pulse el botón .

Para pausar la reproducción, pulse el botón . Para reiniciar la reproducción, púlselo de nuevo.

Para cambiar el lado de reproducción, pulse el botón en el modo de reproducción.

Para pasar hacia adelante o rebobinar la cinta, pulse el botón o en el modo de parada. Seguidamente, pulse el botón para detener la cinta.

Para iniciar la reproducción con el aparato apagado (Función de Reproducción Directa).

Pulse el botón **TAPE/REV MODE** (**TAPE**). Se encenderá el aparato, iniciándose la reproducción de la cinta que se haya cargado.

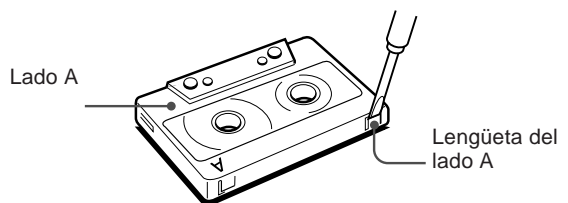
### Cómo poner el contador de la cinta a 0000

Pulse el botón en modo de parada.

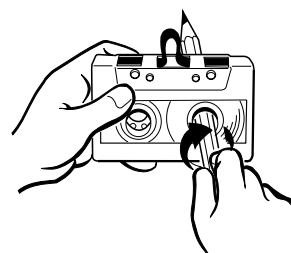
El contador se pone a 0000 cuando el portacasetes se abre.

### Acerca de las cintas

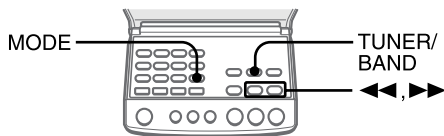
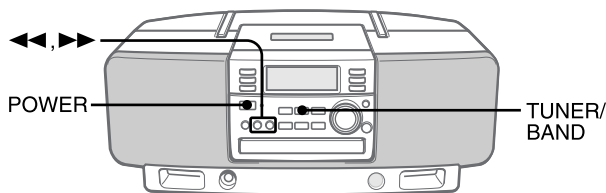
- Para evitar un borrado accidental, rompa las lengüetas de la cinta con un destornillador u otra herramienta puntiaguda una vez terminada la grabación.



- Para grabar de nuevo sobre la cinta, cubra las aberturas de la lengüeta con cinta adhesiva, etc.
- Las cintas de 120 minutos o de mayor duración son extremadamente finas y se deforman o dañan con facilidad. No se recomienda su uso.
- Elimine cualquier holgura existente en la cinta con un lápiz u objeto similar antes de usar. Las combaduras y holguras pueden romper o atascar el mecanismo.



# SINTONIZACIÓN MANUAL



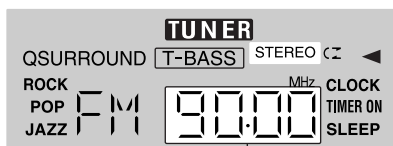
**1 Pulse repetidamente el botón TUNER/BAND para seleccionar la banda deseada.**



Si se apaga el aparato, se escuchará la emisora previamente sintonizada (Función de Reproducción Directa).

**2 Pulse el botón ◀◀ o ▶▶ para seleccionar una emisora.**

Cada vez que se pulse el botón, la frecuencia cambia. Durante la recepción de FM en estéreo, se visualiza "STEREO".



Frecuencia

### Cómo buscar una emisora rápidamente (Autobúsqueda)

Mantenga pulsado el botón ◀◀ o ▶▶ hasta que la radio comience a buscar una emisora. Después de sintonizar una emisora, la búsqueda se detiene.

Para detener la Autobúsqueda manualmente, pulse el botón ◀◀ o ▶▶.

- La Autobúsqueda puede no detenerse en emisoras cuya señal sea muy débil.

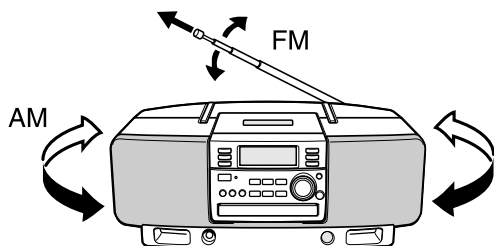
### Cómo obtener una mejor recepción

#### FM

Extienda la antena FM y orientela para lograr una mejor recepción.

#### AM

La antena AM se halla en el interior del aparato. Sitúelo de manera que obtenga la mejor recepción.

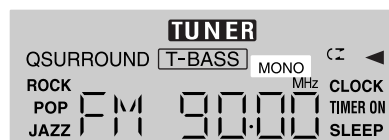


### Cuando una emisión FM en estéreo contiene ruido

Pulse el botón MODE en el mando a distancia.

MONO aparece en la pantalla.

Se reducirá el ruido, aunque la recepción será monoaural.



Para regresar a la recepción estéreo, repita las instrucciones anteriores de nuevo.

### Cómo cambiar el intervalo de sintonización AM

El valor por defecto del intervalo de sintonización AM es de 10 kHz/incremento. Si utiliza este aparato en una zona en la que el sistema de asignación de frecuencias sea de 9kHz/incremento, cambie el intervalo de sintonización.

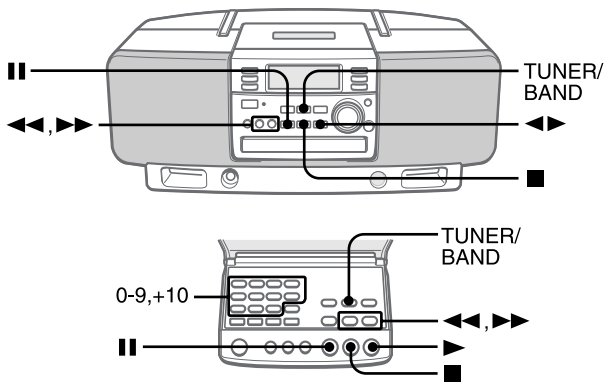
Pulse el botón POWER mientras pulsa el botón TUNER/BAND en el aparato.

Para resetear el intervalo, repita este procedimiento.

### NOTA

Cuando se cambie el intervalo de sintonización de AM, se borran todas las presintonías (ver "PRESINTONIZACIÓN DE EMISORAS"). Deberá presintonizar las emisoras de nuevo.

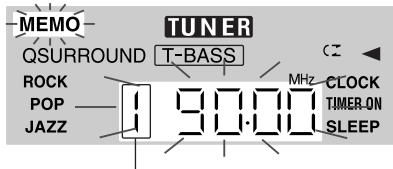
# PRESINTONIZACIÓN DE EMISORAS



Puede presintonizar hasta 15 emisoras en cada banda. Cuando se guarda una emisora, se le asigna un número de presintonía a esa emisora. Use el número de presintonía para sintonizar directamente una presintonía.

- 1 Oprima el botón TUNER/BAND para seleccionar una banda. Luego, oprima el botón ◀▶ o ▶▶ para seleccionar una emisora.**
- 2 Pulse el botón ■ para guardar una emisora en la memoria.**

Se asigna una emisora a un número de presintonía, comenzando desde el 1 y en orden consecutivo para cada banda.



Número de presintonía

- 3 Repita los pasos 1 y 2.**

# SINTONIZACIÓN MEDIANTE PRESINTONÍAS

Use el mando a distancia para seleccionar directamente la presintonía.

- 1 Oprima el botón TUNER/BAND para seleccionar una banda.**
- 2 Pulse los botones numerados para seleccionar un número de presintonía.**

## Ejemplo:

Para seleccionar la presintonía número 15, pulse los botones +10 y el 5.

Para seleccionar la presintonía número 10, pulse los botones +10 y el 0.

## Otro método para seleccionar una presintonía

Pulse el botón TUNER/BAND para seleccionar una banda. Seguidamente, pulse repetidamente el botón ◀▶ (o el botón ▶▶).

Cada vez que se pulse el botón, se selecciona el siguiente número en orden ascendente.

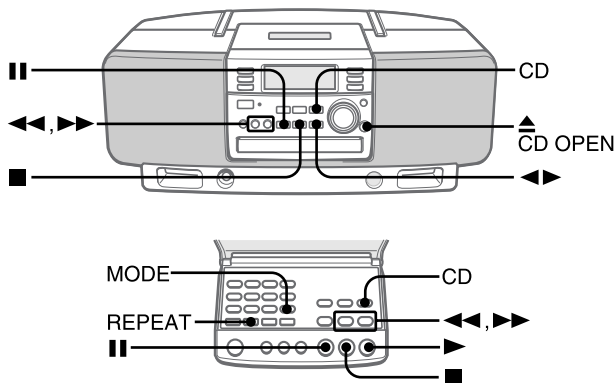
## Cómo borrar una presintonía

Seleccione la presintonía que desee eliminar.

Seguidamente, pulse el botón ■ y pulse el botón ■■ antes de que transcurran 4 segundos.

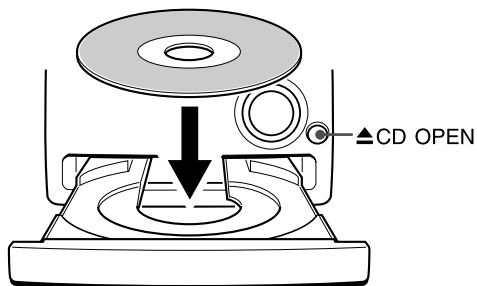
Disminuyen en una unidad los números de presintonía de todas las demás emisoras de esa banda que tuviesen números más altos antes de la eliminación de esa presintonía.

# OPERACIONES CON LOS DISCOS COMPACTOS

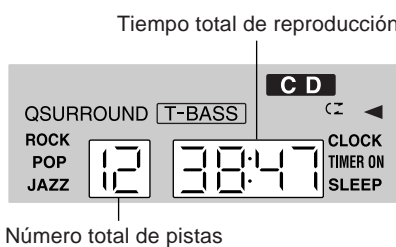


## CÓMO CARGAR UN DISCO

Pulse el botón CD, pulse el botón CD OPEN para abrir el compartimento del disco y cargue un disco con el lado de la etiqueta mirando hacia arriba. Seguidamente, pulse el botón CD OPEN otra vez para cerrar el compartimento del disco.



Se indica en la pantalla el número total de pistas y el tiempo total de reproducción. Se tardan aproximadamente 15 segundos en grabar un disco CD-RW.

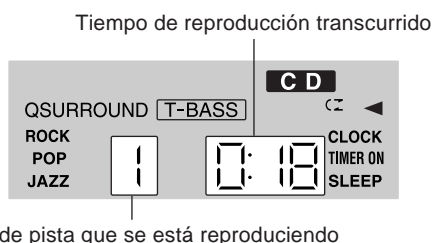


## REPRODUCCIÓN DE UN DISCO

Cargue un disco.

Pulse el botón ◀▶ (o el botón ▶ del mando a distancia).

Comienza la reproducción desde la primera pista.



Para detener la reproducción, pulse el botón ■.

Para pausar la reproducción, pulse el botón II. Para reiniciar la reproducción, púlselo de nuevo.

Para buscar un punto en particular durante la reproducción, mantenga pulsados el botón ◀▶ o ▶▶ y suelte el botón al llegar al punto deseado.

Para saltar al principio de una pista durante la reproducción, pulse repetidamente el botón ◀▶ o ▶▶.

Para sacar el disco, pulse el botón CD OPEN.

Para iniciar la reproducción con el aparato apagado (Función de Reproducción Directa).

Pulse el botón CD. Se encenderá el aparato, iniciándose la reproducción del disco que se haya cargado.

Para cambiar el disco antes de que se inicie la reproducción, pulse el botón CD OPEN para abrir el compartimento del disco.

Cómo seleccionar una pista con el mando a distancia

Pulse los botones numerados y el botón +10 para seleccionar una pista.

Ejemplo:

Para seleccionar la pista 25, pulse los botones +10, +10 y el 5.

Para seleccionar la pista 10, pulse los botones +10 y el 0. La pista seleccionada inicia la reproducción y continúa la reproducción hasta el final de ese disco.

### NOTA

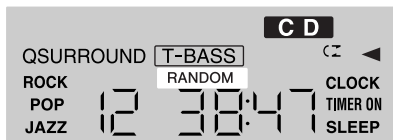
- El aparato pudiera no reproducir un disco CD-R/RW grabado en ordenadores personales o ciertos tipos de grabadoras de CD-R/RW debido a diferencias en las plataformas de grabación.
- No colocar sellos ni etiquetas en los lados (lado de grabación y lado de la etiqueta) de los discos reescribibles CD-R/RW. Hacerlo puede provocar errores de funcionamiento.
- Cuando se cargue un disco CD-R/RW sin grabar, pudieran tardarse aproximadamente 15 segundos para abrir el compartimento del disco después de oprimir el botón ▲ CD OPEN.
- No utilice discos compactos que tengan una forma irregular (por ejemplo: romboidales, octogonales).
- Cuando cargue un disco de 8 cm, sitúelo en el círculo interior de la bandeja.
- No cargue más de un disco compacto en la bandeja.



## REPRODUCCIÓN ALEATORIA

Todas las pistas del disco pueden ser reproducidas aleatoriamente.

- 1 En la modalidad de parada, pulse repetidamente el botón **MODE** del mando a distancia hasta que se ilumine **RANDOM** en la pantalla.



- 2 Pulse el botón **▶ (◀▶)** para iniciar la reproducción.

### Cómo cancelar la reproducción aleatoria

Pulse dos veces el botón **MODE** en modo de parada. Desaparecerá **RANDOM** y aparecerá la pantalla normal.

### NOTA

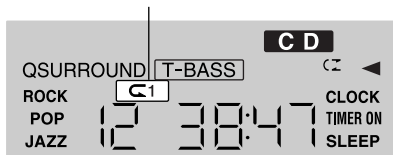
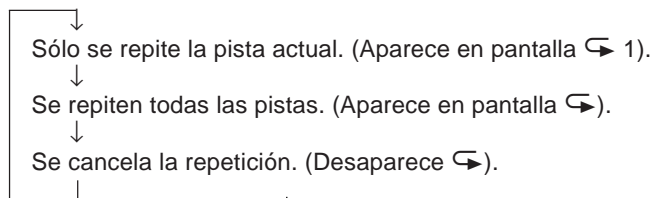
- Incluso aunque se pulse el botón **◀◀**, no podrá saltarse una pista anteriormente reproducida. El aparato sólo regresará al principio de la pista actual.
- Durante la reproducción aleatoria, no puede realizarse la repetición de una sola pista (**↶ 1**).
- Si selecciona pistas con los botones numerados, se cancelará la reproducción aleatoria.

## REPETICIÓN DE LA REPRODUCCIÓN

Pueden repetirse una o todas las pistas.

Pulse repetidamente el botón **REPEAT** del mando a distancia.

Cada vez que se pulse el botón puede seleccionarse cíclicamente el modo de reproducción.



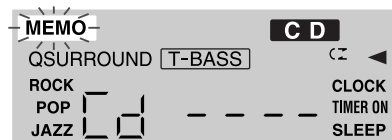
### Cómo repetir la reproducción aleatoria

Pulse primero el botón **MODE** para activar la reproducción aleatoria. Seguidamente, pulse el botón **REPEAT** de modo que se ilumine **↶** en la pantalla.

## REPRODUCCIÓN PROGRAMADA

Pueden programarse hasta 30 pistas del disco que se haya cargado. Use el mando a distancia.

- 1 En la modalidad de parada, pulse repetidamente el botón **MODE** en el mando a distancia hasta que parpadee **MEMO** en la pantalla.

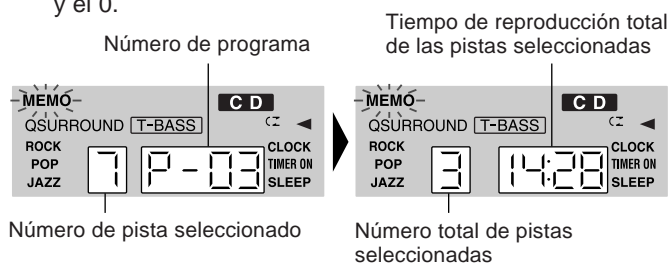


- 2 Pulse los botones numerados y el botón **+10** para programar una pista.

### Ejemplo:

Para seleccionar la pista 12, pulse los botones **+10**, y el **2**.

Para seleccionar la pista 20, pulse los botones **+10**, **+10** y el **0**.



- 3 Repita el paso 2 para programar otras pistas.

- 4 Pulse el botón **▶ (◀▶)** para iniciar la reproducción.

### Para comprobar el programa

Cada vez que se pulse el botón **▶▶** en el modo de parada, aparecerá en pantalla un número de pista y el número de programa.

### Cómo borrar el programa

Pulse el botón **■** en modo de parada.

Sacar el disco compacto del aparato también borrará el programa.

### Cómo añadir pistas al programa

Antes de la reproducción, repita el paso 2. Se programará la nueva pista después de la última pista.

### Cómo cambiar las pistas programadas

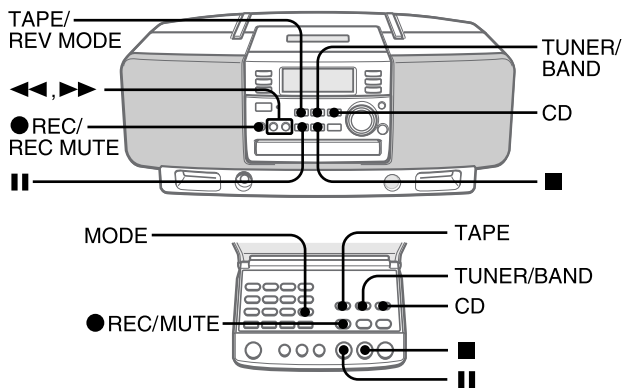
Borre el programa y repita todos los pasos.

### NOTA

- Si el tiempo total de reproducción de las pistas seleccionadas supera los 99 minutos y 59 segundos, o si se selecciona el número de pista 31 o superior, el tiempo total de reproducción de las pistas seleccionadas será representado por **--:--**. Pese a que no se pueda ver el tiempo de reproducción total, las pistas están memorizadas.
- Durante la reproducción programada, no puede seleccionarse la repetición de la reproducción aleatoria.

# GRABACIÓN

Esta sección le explica cómo grabar desde la radio o el reproductor de discos compactos.

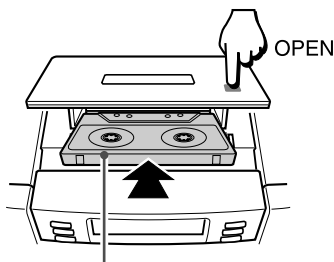


## Preparación

- Ponga la cinta en el punto en el cual comenzará la grabación.
- Use únicamente cintas del Tipo I (normales).

### 1 Cargue la cinta en la que desea grabar.

Cargue la cinta con la cara a grabar mirando hacia arriba y la cara expuesta mirando hacia abajo.



Cargue con la cara en la que desea grabar hacia arriba.

### 2 Pulse el botón TAPE/REV MODE (TAPE) para seleccionar el modo de inversión.

Para grabar sólo una cara, seleccione  $\Sigma$ .  
Para grabar ambas caras, seleccione  $\Sigma$  o  $\Sigma$ .  
Si la grabación empieza desde la cara inversa, la grabación únicamente se realizará en esta cara, aunque se seleccionen  $\Sigma$  o  $\Sigma$ .

### 3 Pulse uno de los botones de función y prepare la fuente que desea grabar.

**Para grabar desde un disco compacto,** pulse el botón CD y cargue el disco. Seguidamente, pulse el botón  $\lll$  o  $\ggg$  para seleccionar la primera pista que desea grabar.

**Para grabar una emisión radiofónica,** pulse el botón TUNER/BAND y sintonice una emisora.

### 4 Pulse el botón ● REC/REC MUTE para iniciar la grabación.

Verá parpadear REC en la pantalla.  
Cuando la función seleccionada sea la del disco compacto, la reproducción y la grabación comenzarán simultáneamente.

## NOTA

Cuando se usa el mando a distancia, oprima el botón ● REC/MUTE durante 1 segundo para empezar a grabar.

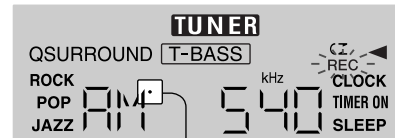
**Para detener la grabación,** pulse el botón ■.  
**Para pausar la grabación,** pulse el botón || (instrucción valedera solamente cuando la fuente es RADIO). Para proseguir con la grabación, púlselo otra vez.

## Para grabar únicamente las pistas seleccionadas

Seleccione las pistas siguiendo las mismas instrucciones que para la reproducción programada (página 11) e inicie la grabación.

## NOTA

Si ocurren chirridos o palpitaciones cuando grabe una emisión de AM, pulse el botón MODE del mando a distancia para eliminar el ruido.  
Cada vez que se pulse el botón, se enciende y se apaga un punto luminoso en la pantalla.



Punto luminoso

## INSERCIÓN DE ESPACIOS EN BLANCO

Cuando grabe una emisión radiofónica, pueden insertarse espacios en blanco de 4 segundos en un punto que desee usted. Esto le ayudará a localizar la porción deseada de la cinta cuando la reproduzca posteriormente en otro aparato, etc., que disponga de la función sensor musical.

## NOTA

No pueden introducirse libremente espacios en blanco cuando grabe de un disco compacto.

- 1 Pulse el botón ● REC/REC MUTE durante la grabación o mientras graba en el modo de pausa. REC parpadea más rápidamente en la pantalla y la cinta empieza a discurrir sin ser grabada (se insertan espacios en blanco).

Pasados 4 segundos, la cinta pausa (modo de pausa en la grabación).

### Cómo hacer que los espacios en blanco tengan menos de 4 segundos de duración

Pulse el botón ● REC/REC MUTE de nuevo mientras REC parpadea rápidamente.

### Cómo hacer que los espacios en blanco tengan más de 4 segundos de duración

Pulse el botón ● REC/REC MUTE de nuevo después de que la platina entre en el modo de pausa de grabación.

Cada vez que se pulse el botón, se insertará otro un espacio en blanco de 4 segundos de duración.

- 2 Pulse el botón || para proseguir con la grabación.

## Cómo borrar una grabación

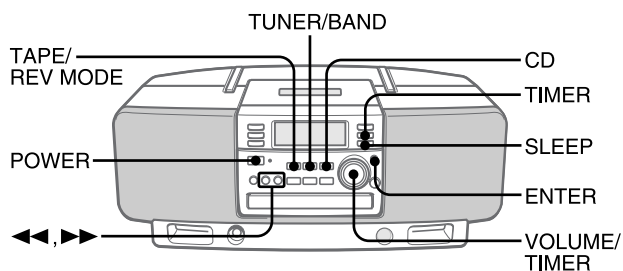
- 1 Pulse el botón TAPE/REV MODE y inserte la cinta que desea borrar.
- 2 Ponga la cinta en el punto desde el que va a iniciarse el borrado.
- 3 Pulse el botón ● REC/REC MUTE para iniciar el borrado.

## Ajuste del sonido durante la grabación

El volumen y el tono de los altavoces o auriculares puede variarse libremente sin que ello afecte el nivel de la grabación.

# REPRODUCCIÓN/GRABACIÓN CON EL TEMPORIZADOR

El aparato puede encenderse a una hora predeterminada cada día gracias al temporizador que lleva incorporado.

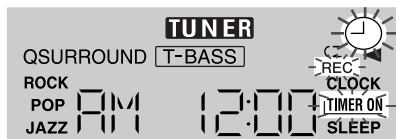


## Preparación

Asegúrese de que el reloj está configurado correctamente.

- 1 Pulse el botón **TIMER** una vez para ajustar la reproducción del temporizador, acción que hará que ☹ parpadee en pantalla.

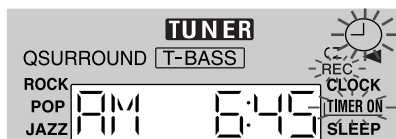
Pulse el botón **TIMER** dos veces para ajustar la reproducción del temporizador, acción que hará que ☹ y REC parpadeen.



- 2 Gire el control **VOLUME/TIMER** para designar la hora de activación del temporizador.

También se dispone de los botones ◀◀ y ▶▶ para esta operación.

Oprima el botón repetidamente. Manteniendo el botón oprimido la hora cambiará en unidades de 20 minutos.



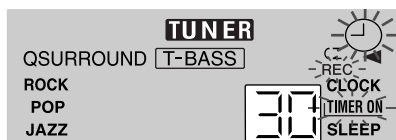
Tiempo de activación del temporizador

- 3 Pulse el botón **ENTER**.

- 4 Gire el control **VOLUME/TIMER** para designar el período de activación del temporizador.

El tiempo cambia entre 5 y 180 minutos en pasos de 5 minutos.

También se dispone de los botones ◀◀ y ▶▶ para esta operación.



Período de activación del temporizador

- 5 Pulse el botón **ENTER**.

- 6 Prepare la fuente que desea escuchar.

Para escuchar un disco compacto, pulse el botón **CD** y cargue un disco.

Para escuchar una cinta, pulse el botón **TAPE/REV MODE** y cargue una cinta.

Para escuchar la radio, pulse el botón **TUNER/BAND** y sintonice una emisora.

Para grabar una emisión radiofónica, pulse el botón **TUNER/BAND** y sintonice una emisora. Cargue la cinta en la que desea grabar.

- 7 Gire el control **VOLUME/TIMER** para establecer el volumen.

- 8 Pulse el botón **POWER** para apagar el aparato. Cuando se llegue al tiempo de activación, el aparato se encenderá y comenzará la reproducción de la fuente seleccionada.

## NOTA

- No comenzará la reproducción con temporizador ni la grabación con temporizador a menos que el aparato esté apagado. Si ha utilizado el aparato una vez que ya ha programado el temporizador, prepare la fuente, ajuste el volumen y el tono y apague el aparato.
- No es posible la grabación con temporizador si la fuente es un disco compacto.
- El temporizador puede también ajustarse cuando el aparato está apagado. Pero en los pasos 1 a 5, el aparato vuelve a presentar la indicación del reloj si no se hace ninguna operación durante un espacio de 2 minutos.

## Para comprobar el ajuste del temporizador

- 1 Oprima el botón **TIMER** una vez para ver el ajuste de reproducción del temporizador, o dos veces para el ajuste de grabación con temporizador. Se indica la hora de activación del temporizador.
- 2 Oprima el botón **ENTER**. Se indica el período de activación del temporizador.
- 3 Oprima el botón **ENTER** para reponer la indicación de la pantalla.

## Cómo cancelar el modo de standby del temporizador

Pulse repetidamente el botón **TIMER** para que aparezca ☹ en la pantalla o ☹REC desaparezca de ella.

Para regresar al modo de standby del temporizador, pulse de nuevo para que ☹ o ☹REC aparezcan en pantalla.

## Cómo resetear el temporizador

Ajuste el temporizador otra vez desde el principio.

# AJUSTE DEL TEMPORIZADOR DE APAGADO

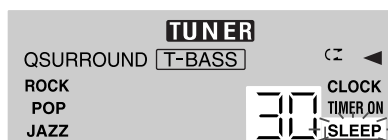
El aparato puede apagarse automáticamente en una hora especificada.

- 1 Pulse el botón **SLEEP**.

- 2 Dentro de un espacio de 4 segundos gire el control **VOLUME/TIMER** para seleccionar el período de tiempo hasta el apagado del aparato.

El tiempo cambia entre 5 y 180 minutos en incrementos de 5 minutos. También se puede seleccionar la modalidad "OFF".

Se dispone también de los botones ◀◀ y ▶▶ para esta operación.



## Cómo comprobar el tiempo que queda hasta que se apague el aparato

Pulse el botón **SLEEP** una vez.

Verá aparecer en pantalla durante 4 segundos el tiempo que queda.

## Cancelación del temporizador de desconexión automática

Oprima el botón **SLEEP** dos veces.

## CUIDADOS Y MANTENIMIENTO

Se necesita un cuidado y mantenimiento ocasionales del aparato y del software para aprovechar al máximo su rendimiento.

### Cómo limpiar el gabinete

Use un paño seco y suave.

Si las superficies están extremadamente sucias, utilice un paño blando humedecido ligeramente con una solución de detergente suave. No use solventes fuertes, como el alcohol, la bencina o disolventes puesto que éstos podrían dañar el acabado del aparato.

### Pour nettoyer les têtes

Lorsque les têtes de bande sont sales :

- les sons aigus ne sont pas reproduits
- le son n'est pas suffisamment élevé
- le son est déséquilibré
- l'effacement de la bande est impossible
- l'enregistrement de la bande est impossible

Toutes les 10 heures d'utilisation, nettoyer les têtes de bande avec une cassette de nettoyage de tête.

Utiliser une cassette de nettoyage de type sec ou de type humide, vendue séparément.

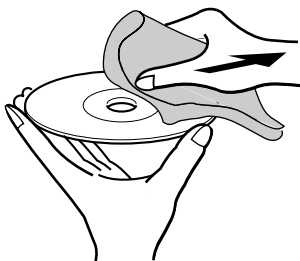
Pour les détails, vois les instructions de la cassette de nettoyage.

### Cómo desmagnetizar los cabezales

Los cabezales puede magnetizarse después de un largo uso. Esto puede recortar la gama acústica de las cintas grabadas e incrementar los niveles de ruido. Después de 20 - 30 horas de uso, desmagnetice los cabezales con cualquier desmagnetizador que podrá encontrar en los comercios especializados.

### Cuidado de los discos

- Cuando se ensucie un disco, frótelos desde el centro hacia afuera con un paño de limpieza.



- Después de reproducir un disco, guárdelo en su caja. No deje los discos en lugares que sean demasiado calientes o húmedos.

### Cuidado de las cintas

- Guarde las cintas en sus cajas después de usarlas.
- No deje las cintas cerca de imanes, motores, televisores o cualquier fuente de magnetismo. Ello perjudicará la calidad del sonido y provocará ruidos.
- No esponga las cintas a la luz directa del sol, ni las deje en un automóvil aparcado al sol.

## SOLUCIÓN A PEQUEÑOS PROBLEMAS

Si no obtiene un funcionamiento adecuado según las instrucciones de operación de este manual, compruebe los puntos siguientes.

### GENERAL

#### No hay sonido.

- ¿Está bien conectado el cable de CA?
- Si quiere usar el aparato con baterías, ¿están bien insertadas las baterías?
- ¿Se ha pulsado un botón de función incorrecto?

#### Tiene lugar un funcionamiento indebido o una pantalla errónea.

→ Reseteo el aparato como se explica a continuación.

### SECCIÓN DEL SINTONIZADOR

#### La recepción contiene interferencias ruidosas o el sonido está distorsionado.

- ¿Recoge el aparato ruidos externos o distorsiones múltiples?
- Cambie la orientación de la antena o del aparato.
- Aleje el aparato de otros electrodomésticos.

### SECCIÓN DEL CASETE

#### La cinta no corre.

- ¿Está la platina en modo de pausa? (→ página 7).

#### El sonido está desequilibrado o no es lo alto que se desea.

- ¿Está sucio el cabezal de reproducción? (→ página 14).

#### No se puede grabar.

- ¿Está rota la lengüeta de prevención del borrado de la cinta? (→ página 7).
- ¿Está sucio el cabezal de grabación? (→ página 14).

#### No se puede borrar.

- ¿Está sucio el cabezal de borrado? (→ página 14).
- ¿Se está utilizando una cinta de metal o de CrO<sub>2</sub>?

#### No se emiten sonidos de alta frecuencia.

- ¿Está sucio el cabezal de grabación/reproducción? (→ página 14).

#### No se puede sacar la cinta.

→ Si intenta usar el aparato cuando las baterías están gastadas, la cinta puede detenerse durante la reproducción o la grabación y el portacasetes no se abrirá.

Si éste fuera el caso, recambie las baterías por otras nuevas o conecte el cable de CA que se suministra al aparato y seguidamente saque la cinta.

### SECCIÓN DEL REPRODUCTOR DE DISCOS COMPACTOS

#### El reproductor de discos compactos no reproduce.

- ¿Está correctamente insertado el disco? (→ página 10).
- ¿Está sucio el disco? (→ página 14).
- ¿Está la lente del fonocaptor afectada por la condensación?
- Espere aproximadamente una hora e inténtelo de nuevo.

### Cómo resetear

Si ocurre una condición inusual en la ventana de la pantalla o del portacasetes, resetee el aparato de la manera siguiente:

- 1 Pulse el botón POWER para apagar el aparato.
- 2 Pulse el botón POWER para encender de nuevo el aparato mientras pulsa el botón ■. Todos los valores guardados en memoria después de la adquisición del aparato se cancelarán.

Si no puede apagarse el aparato en el paso 1 debido a la existencia de una avería o mal funcionamiento, resetee desconectando el cable de CA y saque todas las baterías y seguidamente repita el paso 2.

# ESPECIFICACIONES

---

## Sección del sintonizador de FM

**Gama de sintonización** 87,5 a 108 MHz  
**Antena** Antena de varilla

## Sección del sintonizador de AM

**Gama de sintonización** 530 kHz a 1710 kHz  
(incrementos de 10 kHz)  
531 kHz a 1602 kHz  
(incrementos de 9 kHz)  
**Antena** Antena de barra de ferrita

## Sección de la platina

**Formato de la pista** 4 pistas, 2 canales estéreo  
**Respuestas de la frecuencia** Tipo normal: 50 Hz – 12500 Hz  
**Sistema de grabación** Por CA  
**Cabezales** 1 cabezal de grabación/  
reproducción  
1 cabezal de borrado

## Sección del reproductor de discos compactos

**Láser** Láser semiconductor ( $\lambda = 780 \text{ nm}$ )  
**Convertidor D-A** 1 bit dual

## General

**Altavoces** 2 de 100 mm tipo cónico  
**Potencia** 2,5 W + 2,5 W (10% D.A.T./7  $\Omega$  CC)  
**Salidas** PHONES (miniconector estéreo)  
**Requisitos de potencia** 12 V CC usando ocho baterías de tamaño C (R14)  
120 V CA, 60 Hz  
**Consumo** 20 W  
**Dimensiones de la unidad principal (An  $\times$  Al  $\times$  Lg)**  
440  $\times$  165  $\times$  225 mm  
**Peso de la unidad principal**  
3,8 kg  
sin incluir las baterías  
**Accesorios** Cable CA (1)  
Mando a distancia (1)

• Las especificaciones y aspecto externo están sujetos a cambios sin previo aviso.

## COPYRIGHT

Le rogamos que compruebe las leyes de Copyright relacionadas con la grabación de discos, radio o cintas del país en el que se utilice el aparato.

## NOTA

Este equipo ha sido probado y se ha hallado que cumple con los límites establecidos para los aparatos digitales de Clase B de acuerdo con la Sección 15 de las Reglamentaciones FCC. Estos límites están diseñados para suministrar una protección razonable contra posibles interferencias dañinas en una instalación residencial.

Este equipo genera, usa y puede radiar ondas radiofónicas y si no se instala y usa de acuerdo con las instrucciones, puede causar interferencias dañinas a las comunicaciones por radio. Sin embargo, no existe ninguna garantía de que ello no ocurra en una instalación en particular. Si este equipo causa interferencias dañinas a la recepción de radio o televisión, lo cual puede determinarse encendiendo y apagando el aparato, le rogamos al usuario que corrija la interferencia llevando a cabo uno o más de las siguientes medidas:

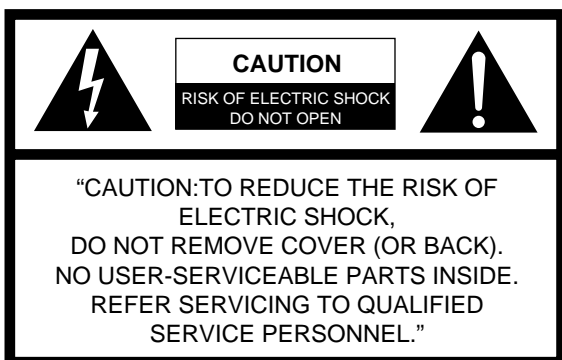
- Reoriente o resítue la antena de recepción.
- Aumente la separación entre el equipo y el receptor.
- Conecte el equipo a una toma que esté en un circuito diferente al que está conectado el receptor.
- Consulte el concesionario o un técnico de radios/televisores para que le ayude.

## PRECAUCIÓN

Cualquier modificación o ajuste a este producto que no esté expresamente aprobada por el fabricante puede invalidar el derecho del usuario o autoridad para operar este producto.

## AVERTISSEMENT

POUR REDUIRE LES RISQUES D'INCENDIE OU D'ELECTROCUTION, N'EXPOSEZ PAS CET APPAREIL A LA PLUIE OU A L'HUMIDITE.



### Explication des symboles graphiques:



Un éclair fléché inscrit dans un triangle équilatéral est destiné à alerter l'utilisateur de la présence à l'intérieur de l'appareil d'une "tension dangereuse" non isolée d'une puissance suffisante pour constituer un risque d'électrocution pour les personnes.



Un point d'exclamation inscrit dans un triangle équilatéral est destiné à avertir l'utilisateur de la présence d'instructions d'utilisation (et d'entretien) importantes dans la documentation fournie avec l'appareil.

## PRÉCAUTIONS

Lisez attentivement ce mode d'emploi avant de faire fonctionner l'appareil. Veillez à conserver ce mode d'emploi pour toute référence ultérieure. Respectez consciencieusement tous les messages d'avertissement et de mise en garde figurant dans ce mode d'emploi et sur l'appareil ainsi que les suggestions de sécurité mentionnées ci-dessous.

### Installation

- Eau et humidité** — N'utilisez pas cet appareil à proximité d'une baignoire, d'un lavabo, d'une piscine ou en présence d'eau.
- Chaleur** — N'utilisez pas cet appareil à proximité de sources de chaleurs telles que les ventilateurs d'air chaud, les radiateurs ou d'autres appareils générant de la chaleur. Ne placez pas cet appareil à des endroits exposés à des températures inférieures à 5°C ou supérieures à 35°C.
- Surface de montage** — Placez l'appareil sur une surface plate et régulière.
- Ventilation** — L'appareil doit être placé à un endroit entouré d'un espace permettant de garantir une ventilation adéquate. Laissez un espace de 10 cm à l'arrière et au-dessus de l'appareil et 5 cm de chaque côté.
  - Ne placez pas l'appareil sur un lit, un tapis ou une surface similaire qui pourrait bloquer les orifices de ventilation.
  - N'installez pas l'appareil dans une bibliothèque, une armoire ou dans une étagère étroite empêchant toute circulation d'air.
- Pénétration d'objets et de liquides** — Veillez à ce que des objets et du liquide ne pénètrent pas dans l'appareil par les orifices de ventilation.
- Chariots et tréteaux** — Lorsque l'appareil est installé sur un chariot ou un tréteau, déplacez-le avec soin. Des arrêts brutaux, une force excessive et des surfaces inégales peuvent entraîner le retournement ou la chute de l'appareil ou du chariot.



- Condensation** — De l'humidité peut s'accumuler sur la lentille du lecteur CD lorsque:
  - l'appareil est déplacé d'un endroit chaud vers un endroit froid
  - le chauffage vient d'être rallumé
  - l'appareil est utilisé dans une pièce très humide
  - l'appareil est refroidi par un climatiseur
 Lorsque l'appareil présente des traces de condensation, il est possible qu'il ne fonctionne pas normalement. Dans ce cas, laissez reposer l'appareil pendant quelques heures avant de le refaire fonctionner.
- Montage au mur ou au plafond** — N'installez pas l'appareil au mur ou au plafond sauf en cas de stipulation contraire dans le mode d'emploi.

### Alimentation électrique

- Sources d'alimentation** — Branchez cet appareil uniquement aux sources d'alimentation spécifiées dans le mode d'emploi et conformément aux indications mentionnées sur l'appareil.
- Polarité** — En guise de mesure de sécurité, certains appareils sont équipés de fiches d'alimentation polarisées qui ne peuvent être introduites que dans une prise murale (secteur). S'il s'avère difficile ou impossible d'introduire la fiche d'alimentation dans la prise secteur, retournez la fiche et réessayez. Si vous ne parvenez toujours pas à l'enficher aisément, appelez un technicien d'entretien qualifié pour entretenir ou réparer la prise. Pour que cette mesure de sécurité soit pleinement efficace, ne forcez pas la fiche polarisée dans une prise murale.
- Cordon d'alimentation**
  - Lorsque vous débranchez le cordon d'alimentation, saisissez la fiche. Ne tirez pas sur le cordon.
  - Ne manipulez pas le cordon d'alimentation avec des mains mouillées, car il y a un risque d'incendie ou d'électrocution.
  - Fixez correctement les cordons d'alimentation pour éviter qu'ils ne soient pliés, coincés ou piétinés. Faites particulièrement attention au cordon reliant l'appareil à la prise secteur.
  - Éviter de surcharger les prises secteur et les cordons de rallonge au-delà de leur capacité, car cela pourrait entraîner un feu ou un choc électrique.
- Prolongateurs** — Pour éviter tout risque de décharge électrique, n'utilisez pas une fiche d'alimentation polarisée avec un cordon prolongateur, une prise multiple ou toute autre prise si elle ne peut être complètement introduite de manière à éviter d'exposer une partie des lames de la fiche.
- En cas d'inutilisation** — Débranchez le cordon d'alimentation de la prise murale si vous comptez ne pas utiliser l'appareil pendant plusieurs mois ou plus. Lorsque la fiche est branchée, une légère quantité de courant continue à passer dans l'appareil, même s'il est hors tension.

### Entretien

Nettoyez l'appareil uniquement conformément aux recommandations faites dans le mode d'emploi.

### Dégâts nécessitant un entretien

- Faites examiner l'appareil par un technicien qualifié lorsque:
- Le cordon ou la fiche d'alimentation a été endommagé
  - Des objets ou du liquide ont pénétré dans l'appareil
  - L'appareil a été exposé à la pluie ou à l'eau
  - L'appareil ne semble pas fonctionner correctement
  - L'appareil affiche des performances moindres
  - L'appareil est tombé ou le châssis a été endommagé
- NE TENTEZ PAS DE REPARER L'APPAREIL VOUS-MEME.**

### Références utilisateur

Pour votre facilité, consignez la désignation du modèle et le numéro de série de cet appareil (qui se trouvent à l'arrière) dans les cases ci-dessous. Signalez ces numéros de référence lorsque vous prenez contact avec votre revendeur Aiwa en cas de problème.

Désignation du modèle	N° de série (N° lot)
CSD-EL300	

# TABLE DES MATIÈRES

---

## PRÉPARATIFS

---

ALIMENTATION FOURNIE .....	4
TÉLÉCOMMANDE .....	4
AVANT LA MISE EN SERVICE .....	5
RÉGLAGE DE L'HORLOGE .....	5

## SON

---

RÉGLAGE DU SON .....	6
----------------------	---

## LECTURE DE CASSETTE

---

OPÉRATIONS DE BASE .....	7
--------------------------	---

## RÉCEPTION RADIO

---

ACCORD MANUEL .....	8
PRÉRÉGLAGE DE STATIONS .....	9

## LECTURE DE CD

---

OPÉRATIONS DE BASE .....	10
--------------------------	----

## ENREGISTREMENT

---

ENREGISTREMENT .....	12
----------------------	----

## MINUTERIE

---

LECTURE ET ENREGISTREMENT TEMPORISÉS .....	13
RÉGLAGE DE LA MINUTERIE DE SOMMEIL .....	13

## GÉNÉRALITÉS

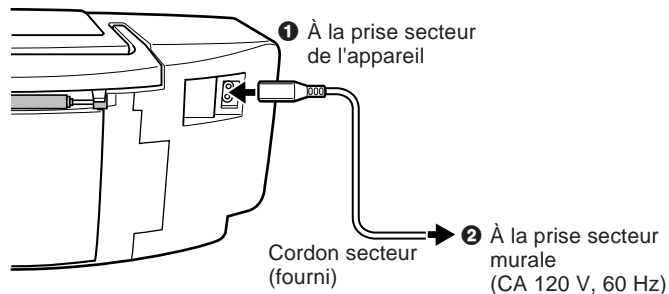
---

ENTRETIEN ET MAINTENANCE .....	14
GUIDE DE DÉPANNAGE .....	14
SPÉCIFICATIONS .....	15
INDEX .....	Couverture de dos

## ALIMENTATION FOURNIE

### UTILISATION SUR COURANT SECTEUR

Raccordez le cordon secteur comme indiqué sur



L'indicateur OPE/BATT s'allume lorsque l'appareil est sous tension.

#### PRÉCAUTION

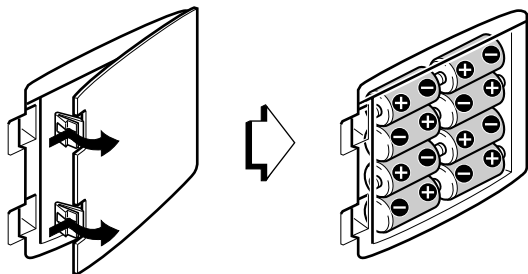
Utilisez uniquement le cordon secteur fourni. L'utilisation d'autres cordons peut provoquer un risque d'incendie.

### UTILISATION SUR PILES

Ouvrez le couvercle du logement des piles au dos et insérez huit piles R14 (format C) non fournies, comme illustré ci-dessous. Puis refermez le couvercle.

**Pour passer de l'alimentation secteur fournie à l'alimentation fournie par les piles**, débranchez le cordon secteur de la prise secteur de l'appareil.

- Lorsque l'appareil fonctionne sur piles, l'affichage n'est pas éclairé.



#### Il faut remplacer les piles quand:

Le témoin OPE/BATT devient sombre, la vitesse de la cassette ralentit, le volume baisse, ou le son est distorsionné pendant l'opération.

#### Remarques sur les piles

Pour éviter tout dommage provenant d'une fuite de liquide ou d'une explosion, observez les points suivants:

- Insérez les piles en alignant correctement les marques  $\oplus$  et  $\ominus$ .
- Ne mélangez pas différents types de piles ou des piles usées avec des neuves.
- Ne jamais recharger les piles, les chauffer
- Enlevez les piles usées.

En cas de fuite de liquide des piles, essuyez complètement pour tout enlever.

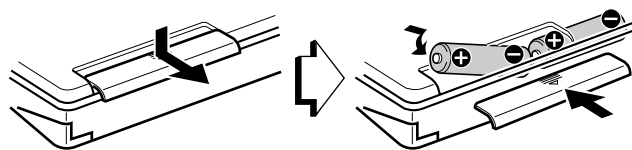
#### REMARQUE

Si une coupure de courant se produit pendant plus de 12 heures, tous les réglages mémorisés, tels que l'horloge, la minuterie, et le pré-réglage des stations, seront supprimés et devront être refaits.

## TÉLÉCOMMANDE

### INSERTION DES PILES

Détachez le couvercle du logement des piles au dos de la télécommande et insérez deux piles R03 (format AAA).



#### Remplacement des piles

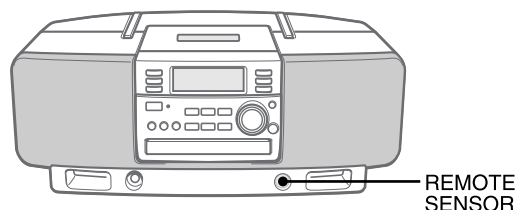
La portée maximale de la télécommande, à savoir la distance entre la télécommande et le capteur sur l'unité principale est d'environ 5 mètres. Remplacez les piles quand la portée diminue.

### UTILISATION DE LA TÉLÉCOMMANDE

Quelques opérations peuvent s'effectuer avec les touches de la télécommande uniquement, ou uniquement avec celles de l'unité principale, tandis que d'autres peuvent s'effectuer aussi bien avec les touches de l'unité principale qu'avec celles de la télécommande. Ce Mode d'emploi décrit clairement les touches qui sont disponibles pour chaque opération.

#### Pour utiliser les touches

Diriger la télécommande sur le capteur de télécommande REMOTE SENSOR de l'appareil principal pour pouvoir utiliser les touches de la télécommande.

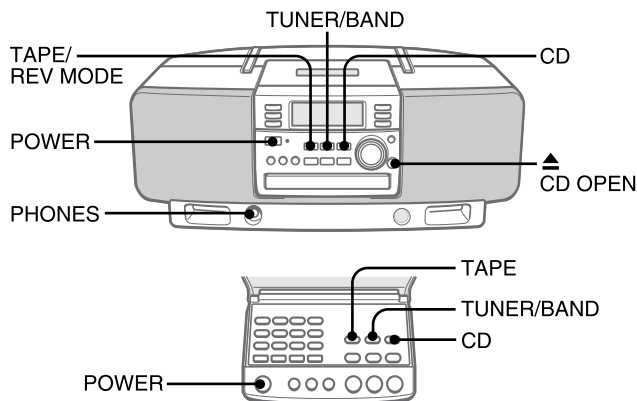


#### REMARQUE

- Si l'appareil doit rester inutilisé pendant une période prolongée, retirez les piles pour éviter tout risque de fuite d'électrolyte.
- La télécommande peut ne pas fonctionner correctement quand:
  - La ligne de vision entre la télécommande et l'appareil est exposée à une lumière intense, par exemple en plein soleil.
  - D'autres télécommandes sont utilisées à proximité (celle du téléviseur, etc.)
- La touche ► sur la télécommande a la même fonction que la touche ◀► l'unité principale.



## AVANT LA MISE EN SERVICE



### Pour mettre sous tension

Appuyez sur l'une des touches de fonction (TAPE/REV MODE, TUNER/BAND, CD).

La lecture du disque inséré ou la cassette commence, ou la station précédemment accordée est reçue (fonction de lecture directe).

La touche POWER est également validée.

L'appareil s'éteint également lorsqu'on appuie sur la touche ▲ CD OPEN.

### Après l'utilisation

Appuyez sur la touche POWER pour mettre hors tension. L'afficheur passe à l'affichage de l'horloge.

### REMARQUE

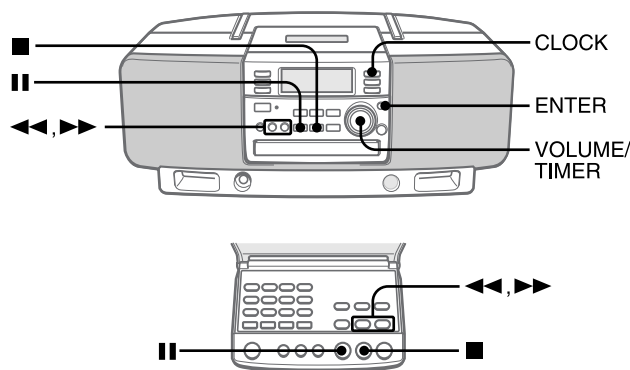
Si vous utilisez l'appareil sur piles, vous ne pouvez pas mettre sous tension avec la télécommande.

### Pour utiliser les écouteurs

Raccordez les écouteurs à mini-fiche stéréo (ø3,5 mm) à la prise PHONES.

Aucun son ne sort des enceintes quand des écouteurs sont branchés.

## RÉGLAGE DE L'HORLOGE



Lorsqu'on branche le cordon d'alimentation dans une prise secteur pour la première fois après l'achat de l'appareil, l'affichage de l'horloge clignote.

### 1 Appuyez sur la touche CLOCK.

☉ clignote.



### 2 Tournez la commande VOLUME/TIMER pour régler l'horloge.

Pour un réglage rapide, tournez rapidement la commande.

Vous pouvez également appuyer sur la touche ◀◀ ou ▶▶. En maintenant ces touches enfoncées vous faites varier l'heure par unité de 20 minutes.

### 3 Appuyez sur la touche ENTER ou || pour compléter le réglage.

☉ disparaît de l'afficheur et l'horloge démarre à partir de 00 secondes.

### Pour afficher l'heure actuelle

Appuyez sur la touche CLOCK.

Pour retourner à l'affichage d'opération, appuyez sur la touche CLOCK ou l'une des touches de fonction.

### Pour passer du système 12 heures /24 heures

Pendant l'affichage de l'horloge, appuyez sur la touche ■.

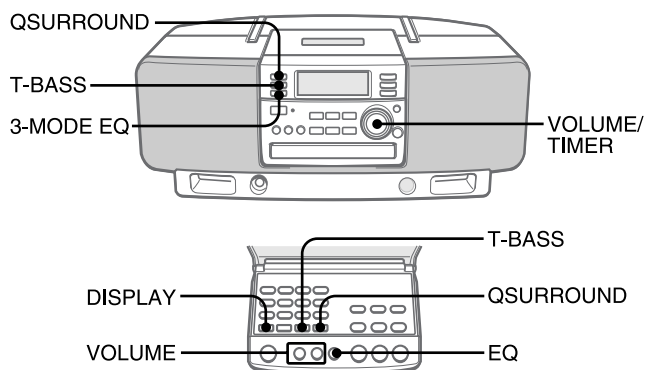
Au format de 12 heures, "AM 12:00" indique minuit, et "PM 12:00" indique midi.

### Si l'affichage de l'horloge clignote alors que l'appareil est hors tension

Ceci est dû à une coupure de d'alimentation. L'heure actuelle doit être remise à l'heure.

Si la coupure dure plus de 12 heures environ, tous les réglages en mémoire après achat doivent être réinitialisés.

## RÉGLAGE DU SON



### COMMANDE VOLUME

Tournez la commande **VOLUME/TIMER** sur l'unité principale ou appuyez sur les touches **VOLUME** sur la télécommande.

Le niveau du volume s'affiche sous forme de chiffre de 0 à Max (31). Le volume se règle automatiquement au niveau 21 si l'on met l'appareil hors tension alors que le volume réglé au niveau 22 ou plus.

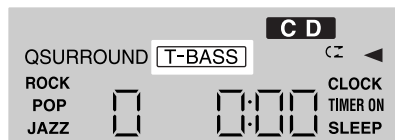
#### Pour afficher le niveau du volume actuel

Appuyez sur la touche **DISPLAY** sur la télécommande. Le niveau du volume s'affiche pendant 4 secondes.

### SYSTÈME SUPER T-BASS

Le système T-BASS accentue le réalisme du son à basses fréquences.

Appuyez sur la touche **T-BASS**.



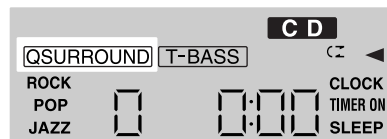
Pour annuler, appuyez à nouveau sur la touche.

#### REMARQUE

Il peut se produire une distorsion du son à basses fréquences lorsque le système T-BASS est utilisé pour un disque ou une cassette dont le son à basses fréquences était accentué à l'origine. Dans ce cas, annulez le système T-BASS.

### SYSTÈME Q SURROUND

Le système Q SURROUND intégré à cet appareil utilise uniquement deux enceintes à droite et à gauche pour créer une atmosphère qui vous donne l'impression d'être entouré de deux enceintes avant et deux enceintes arrière. Appuyez sur la touche **QSURROUND**.



Pour annuler, appuyez à nouveau sur la touche.

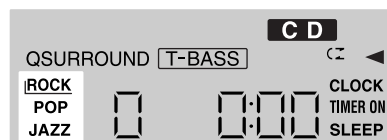
#### REMARQUE

- Le système Q SURROUND ne fonctionne pas dans le mode monaural.
- À des plus hauts volumes, activer le système Q SURROUND peut provoquer une distorsion du son. Dans ce cas, baissez le volume.

### MODE ÉGALISEUR

Appuyer de façon répétée sur la touche 3-MODE EQ de l'appareil ou sur la touche EQ de la télécommande.

Le mode parcourt le cycle suivant : ROCK, POP, JAZZ, et mode normal.

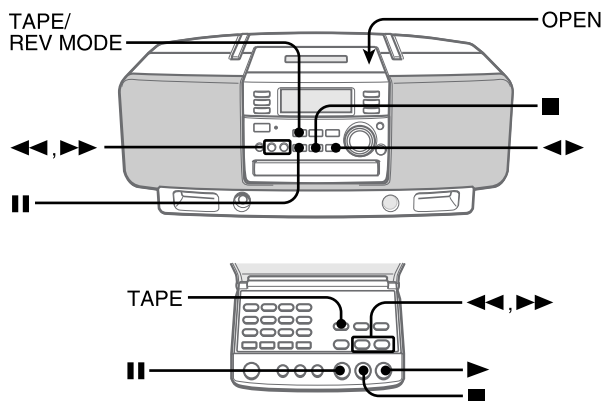


**ROCK:** Son puissant renforçant les sons aigus et les sons graves

**POP:** Plus de présence aux fréquences vocales et à mi-gamme

**JAZZ:** Fréquences plus basses accentuées pour la musique de type jazz

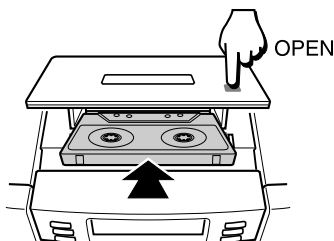
## OPÉRATIONS DE BASE



## INSERTION D'UNE CASSETTE

Utilisez seulement des cassettes de Type I (normal).

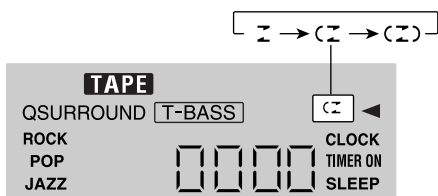
Appuyer sur la touche TAPE/REV MODE (ou sur la touche TAPE de la télécommande) et appuyer sur la marque OPEN pour ouvrir le porte-cassette.



Insérez une cassette avec le côté ouvert vers le bas. Poussez le logement à cassette pour le refermer.

## Pour sélectionner un mode d'inversion

À chaque pression de la touche TAPE/REV MODE (TAPE), le mode d'inversion change.

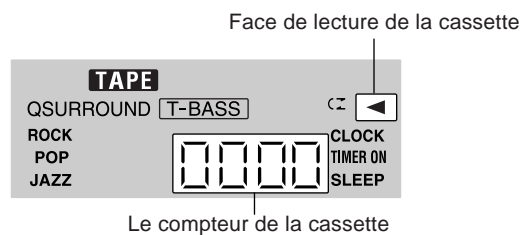


Pour lire seulement une face, sélectionnez  $\Sigma$ .  
 Pour lire seulement de la face avant à la face arrière, sélectionnez  $\Sigma$ .  
 Pour lire les deux faces de manière répétée, sélectionnez  $\Sigma$ .

## LECTURE D'UNE CASSETTE

Insérez une cassette.

Appuyez sur la touche  $\blacktriangleleft$  (ou la touche  $\blacktriangleright$  sur la télécommande) pour démarrer la lecture.



$\blacktriangleleft$ : La face avant est lue (en avant).  
 $\blacktriangleright$ : La face opposée est lue (en arrière).

Pour arrêter la lecture, appuyez sur la touche  $\blacksquare$ .

Pour arrêter temporairement la lecture, appuyez sur la touche  $\parallel$ . Pour reprendre la lecture, appuyez à nouveau.

Pour changer la face de lecture, appuyez sur la touche  $\blacktriangleleft$  en mode de lecture.

Pour avancer ou reculer rapidement, appuyez sur la touche  $\blacktriangleleft$  ou  $\blacktriangleright$  en mode d'arrêt. Appuyez ensuite sur la touche  $\blacksquare$  pour arrêter la cassette.

## Pour démarrer la lecture quand l'appareil est hors tension (fonction de lecture directe)

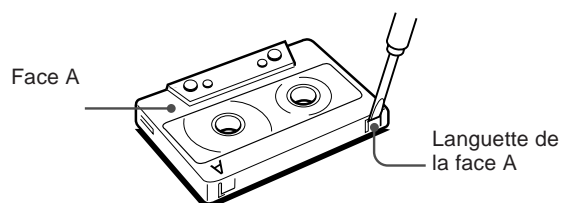
Appuyez sur la touche TAPE/REV MODE (TAPE). L'appareil se met sous tension et la lecture de la cassette insérée commence.

## Pour régler le compteur de bande à 0000

Appuyez sur la touche  $\blacksquare$  en mode d'arrêt. Le compteur est également remis à 0000 si le logement à cassette est ouvert.

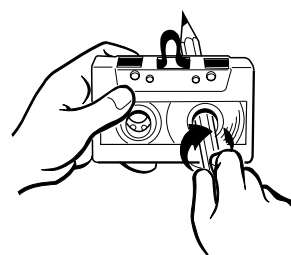
## À propos des cassettes

- Pour éviter tout effacement accidentel, brisez les languettes en plastique de la cassette après l'enregistrement avec un tournevis ou un autre outil pointu.

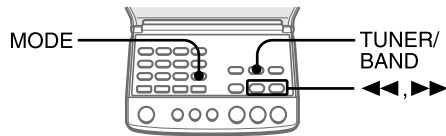
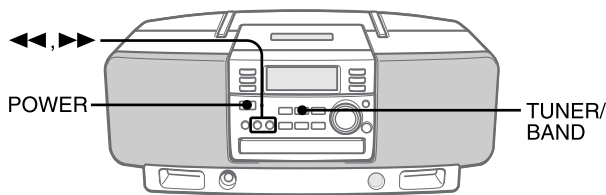


Pour enregistrer à nouveau sur une cassette, recouvrez l'ouverture laissée par la languette avec du ruban adhésif, etc.

- Les cassettes de 120 minutes ou plus ont une bande extrêmement fine qui se déforme ou s'endommage facilement. Leur emploi n'est pas recommandé.
- Tendez bien la bande à l'aide d'un crayon ou autre outil similaire avant l'utilisation. Une bande détendue peut casser ou s'emmêler dans le mécanisme.



# ACCORD MANUEL



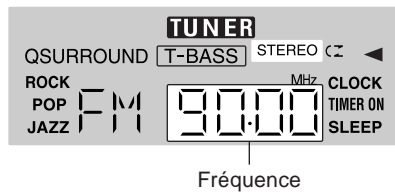
**1 Appuyez plusieurs fois sur la touche TUNER/BAND pour sélectionner la bande souhaitée.**



Si l'appareil est hors tension, c'est la station antérieurement captée qui s'écouterà (fonction de lecture directe).

**2 Appuyez sur la touche ◀◀ ou ▶▶ pour sélectionner une station.**

À chaque pression de la touche, la fréquence change. Pendant la réception stéréo FM, "STEREO" s'affiche.



**Pour rechercher rapidement une station (Recherche Automatique)**

Maintenez la touche ◀◀ ou ▶▶ pressée jusqu'à ce que la radio commence à chercher une station. Après l'accord d'une station, la recherche s'arrête.

Pour arrêter manuellement la recherche automatique, appuyez sur la touche ◀◀ ou ▶▶.

- La recherche automatique peut ne pas s'arrêter à des stations à signaux très faibles.

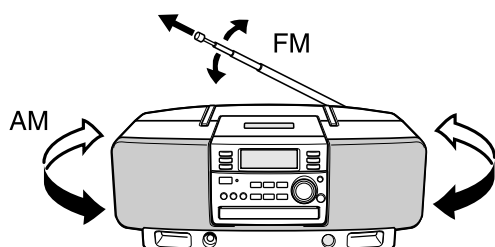
**Pour une meilleure réception**

**FM**

Étendez l'antenne FM et orientez-la de façon à obtenir une meilleure réception.

**AM**

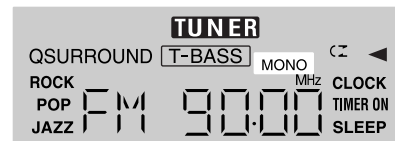
L'antenne AM se trouve à l'intérieur de l'unité. Orientez l'unité de façon à obtenir une meilleure réception.



**Quand un programme stéréo FM contient du bruit**

Appuyez sur la touche MODE sur la télécommande. MONO apparaît dans l'afficheur.

Le bruit est réduit, mais la réception est monaurale.



Pour revenir en réception stéréo, répétez l'opération précédente.

**Pour changer l'intervalle d'accord AM**

Le réglage par défaut de l'intervalle d'accord AM est 10 kHz/pas. Modifiez l'intervalle d'accord pour utiliser cet appareil dans une zone où le système d'affectation des fréquences est de 9 kHz/pas.

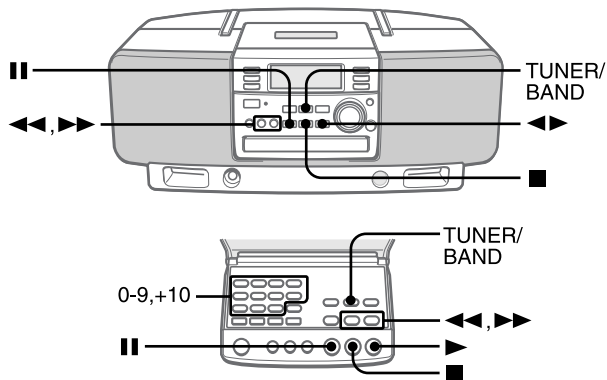
Appuyez sur la touche POWER tout en appuyant sur la touche TUNER/BAND sur l'appareil.

Pour revenir à l'ancien intervalle, répétez cette procédure.

**REMARQUE**

Toutes les stations pré-réglées sont supprimées au changement d'intervalle d'accord AM (voir "PRÉRÉGLAGE DE STATIONS"). Le pré-réglage doit être refait.

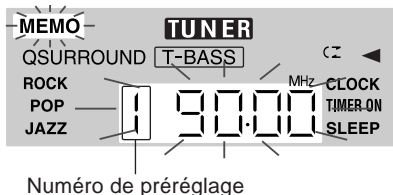
# PRÉRÉGLAGE DE STATIONS



Vous pouvez préréglager jusqu'à 15 stations dans chaque bande. Chaque station mémorisée est dotée d'un numéro de préréglage. Utilisez ce numéro pour accorder directement une station préréglée.

- 1 Appuyer sur la touche TUNER/BAND pour sélectionner la gamme. Puis, appuyer sur la touche ◀ ou ▶ pour sélectionner la station.**
- 2 Appuyez sur la touche ■ pour mémoriser la station.**

Un numéro de préréglage est attribué à chaque station sur chaque bande, par ordre consécutif commençant par 1.



- 3 Répétez les opérations 1 et 2.**

## ACCORD PAR NUMÉRO DE PRÉRÉGLAGE

Utilisez la télécommande pour sélectionner directement le numéro de préréglage.

- 1 Appuyer sur la touche TUNER/BAND pour sélectionner la gamme.**
- 2 Appuyez sur les touches numérotées sur la télécommande pour sélectionner un numéro de préréglage:**

**Exemple:**

Pour sélectionner le numéro de préréglage 15, appuyez sur les touches +10 et 5.

Pour sélectionner le numéro de préréglage 10, appuyez sur les touches +10 et 0.

### Autre méthode pour sélectionner un numéro de préréglage

Appuyez sur la touche TUNER/BAND pour sélectionner une bande. Ensuite appuyez plusieurs fois sur la touche ◀▶ (ou la touche ▶).

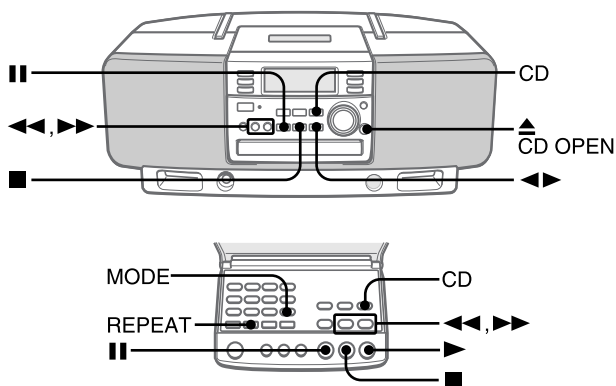
À chaque pression de la touche, le numéro suivant ascendant est sélectionné.

### Pour supprimer une station préréglée

Sélectionnez le numéro de préréglage de la station à supprimer. Puis, appuyez sur la touche ■ et appuyez ensuite sur la touche ■ dans les 4 secondes.

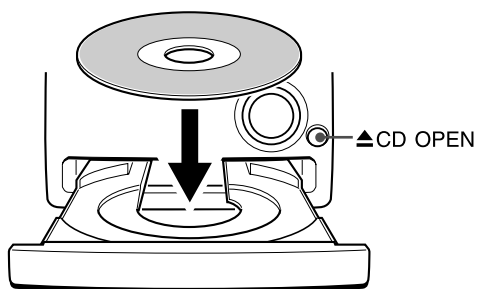
Les numéros de préréglage de toutes les autres stations de cette bande de numéro plus élevé seront diminués d'une unité.

## OPÉRATIONS DE BASE

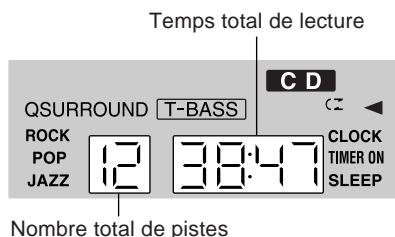


### CHARGEMENT DE DISQUES

Appuyez sur la touche CD, appuyez sur la touche CD OPEN pour ouvrir le logement à disque et chargez un disque avec l'étiquette dirigée vers le haut. Puis appuyez à nouveau sur la touche CD OPEN pour refermer le logement à disque.



Le nombre total de pages et la durée de lecture totale s'affichent. Cela prendra environ 15 secondes lors du chargement d'un CD-RW.

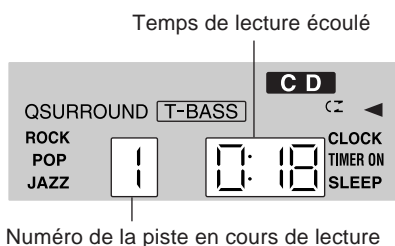


### LECTURE DE DISQUES

Chargez un disque.

Appuyez sur la touche ◀▶ (ou sur la touche ▶ sur la télécommande).

La lecture commence par la première piste.



Pour arrêter la lecture, appuyez sur la touche ■.

Pour interrompre temporairement la lecture (pause), appuyez sur la touche |||. Appuyez une seconde fois pour la reprendre.

Pour localiser un point particulier pendant la lecture, maintenez la touche ◀◀ ou ▶▶ pressée et relâchez au point souhaité.

Pour sauter au début d'une piste pendant la lecture, appuyez plusieurs fois sur la touche ◀◀ ou ▶▶.

Pour retirer la disque, appuyez sur la touche CD OPEN.

Pour démarrer la lecture quand l'appareil est hors tension (fonction de lecture directe)

Appuyez sur la touche CD. L'appareil est mis sous tension et la lecture du disque chargé commence.

Pour remplacer le disque avant la lecture, appuyez sur la touche CD OPEN pour ouvrir le logement à disque.

Sélection d'une piste avec la télécommande

Appuyez sur les touches numérotées et sur la touche +10 pour sélectionner une piste.

**Exemple:**

Pour sélectionner la piste 25, appuyez sur les touches +10, +10 et 5.

Pour sélectionner la piste 10, appuyez sur les touches +10 et 0.

La lecture de la piste sélectionnée démarre et continue jusqu'à la fin du disque.

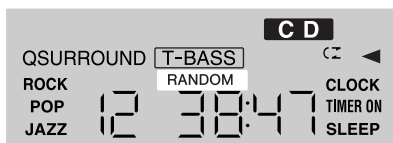
### REMARQUE

- L'appareil peut ne pas lire les CD-R/RW enregistrés sur un ordinateur personnel ou sur certains types d'enregistreurs de CD-R/RW en raison des différences dans la plate-forme d'enregistrement.
- Ne pas coller d'auto-collants ni d'étiquettes sur les deux faces (face enregistrée et face avec l'étiquette) d'un CD-R/RW. Cela pourrait provoquer un mauvais fonctionnement.
- Lors du rechargement d'un CD-R/RW non enregistré, l'ouverture du tiroir du disque peut prendre environ 15 secondes après la pression sur la touche ▲ CD OPEN.
- N'utilisez pas de CD avec une forme irrégulière (exemples: ceux en forme de coeur, octogonaux). Cela pourrait provoquer un mauvais fonctionnement.
- Pour charger un disque de 8 cm, placez-le sur le cercle interne du plateau.
- Ne placez pas plus d'un disque compact sur le plateau.

## LECTURE ALÉATOIRE

Toutes les pistes du disque peuvent être lues de manière aléatoire.

- 1 En mode d'arrêt, appuyez plusieurs fois sur la touche **MODE** sur la télécommande jusqu'à ce que **RANDOM** s'allume dans l'afficheur.



- 2 Appuyez sur la touche **▶ (◀▶)** pour démarrer la lecture.

### Pour annuler la lecture aléatoire

Appuyez deux fois sur la touche **MODE** en mode d'arrêt. **RANDOM** disparaît et l'afficheur normal apparaît.

### REMARQUE

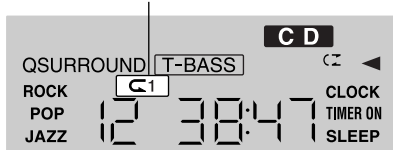
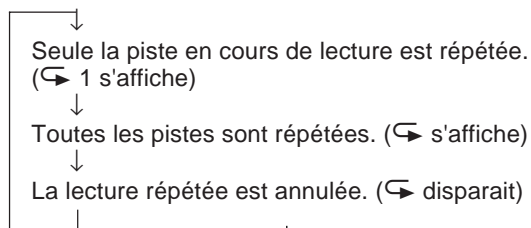
- Même en appuyant sur la touche **◀◀** il n'est pas possible de sauter à la piste lue précédemment. L'appareil retourne uniquement au début de la piste actuelle.
- Pendant la lecture aléatoire, la répétition d'une piste (**↶ 1**) ne peut s'effectuer.
- Si vous sélectionnez une piste avec les touches numérotées, le mode de lecture aléatoire s'annule.

## LECTURE RÉPÉTÉE

Une seule piste ou toutes les pistes peuvent être lues de manière répétée.

Appuyez plusieurs fois sur la touche **REPEAT** sur la télécommande.

À chaque pression de la touche, le mode de lecture est sélectionné cycliquement.



### Pour répéter la lecture aléatoire

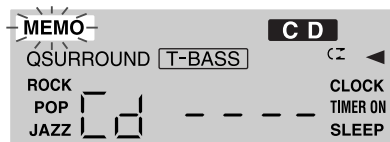
Appuyez d'abord sur la touche **MODE** pour activer la lecture aléatoire. Puis appuyez sur la touche **REPEAT** afin que **↶** s'allume dans l'afficheur.

## LECTURE PROGRAMMÉE

Vous pouvez programmer jusqu'à 30 pistes d'un disque inséré.

Utilisez la télécommande.

- 1 En mode d'arrêt, appuyez plusieurs fois sur la touche **MODE** sur la télécommande jusqu'à ce que **MEMO** clignote dans l'afficheur.

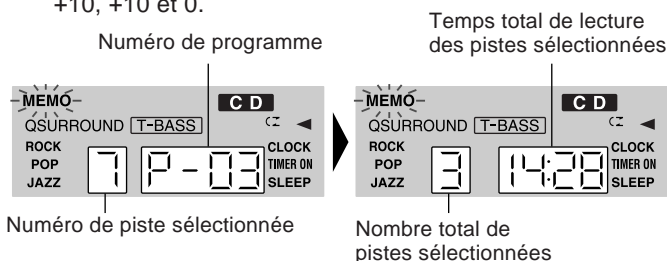


- 2 Appuyez sur les touches numérotées et la touche **+10** pour programmer une piste.

### Exemple:

Pour sélectionner la piste 12, appuyez sur les touches **+10** et **2**.

Pour sélectionner la piste 20, appuyez sur les touches **+10**, **+10** et **0**.



- 3 Répétez l'opération 2 pour programmer d'autres pistes.

- 4 Appuyez sur la touche **▶ (◀▶)** pour démarrer la lecture.

### Pour vérifier le programme

À chaque pression de la touche **▶▶** en mode d'arrêt, un numéro de piste et un numéro de programme s'afficheront.

### Pour supprimer le programme

Appuyez sur la touche **■** dans le mode d'arrêt.

En enlevant le CD de l'appareil vous supprimerez également le programme.

### Pour ajouter des pistes au programme

Avant la lecture, répétez l'opération 2. La nouvelle piste sera programmée après la dernière piste.

### Pour changer les pistes programmées

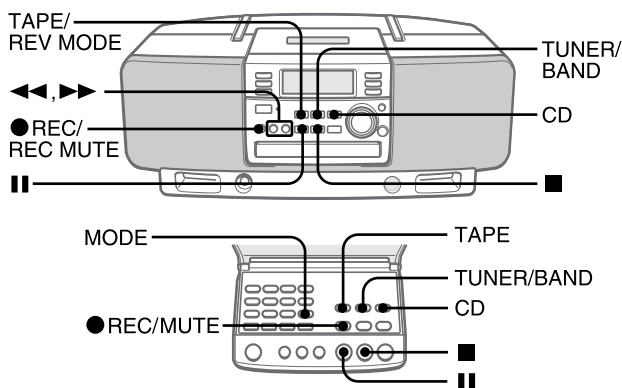
Annulez le programme et répétez toutes les opérations.

### REMARQUE

- Si le temps total de lecture des pistes sélectionnées dépasse 99:59, ou si le numéro 31 ou le numéro plus élevé de piste est sélectionné, le temps total de lecture des pistes sélectionnées sera représenté par **--:--**. Bien que le temps total de lecture en soit pas visible, les pistes sont mémorisées.
- Pendant la lecture programmée, la lecture aléatoire d'une piste ne peut être sélectionnée.

# ENREGISTREMENT

Cette section vous explique comment enregistrer depuis la radio ou le lecteur de CD.

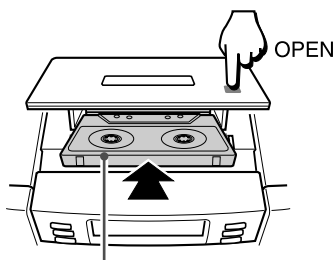


## Préparatifs

- Réglez la cassette à l'endroit où l'enregistrement commencera.
- Utilisez seulement des cassettes de Type I (normal).

### 1 Insérez la cassette à enregistrer.

Insérez la cassette avec la face à enregistrer dirigée vers l'extérieur et le côté ouvert vers l'avant.



Insérez avec la face à enregistrer dirigée vers le haut.

### 2 Appuyez sur la touche TAPE/REV MODE (TAPE) pour sélectionner le mode d'inversion.

Pour enregistrer sur une seule face, sélectionnez  $\Sigma$ .  
Pour enregistrer sur les deux faces, sélectionnez  $\Sigma$  ou  $\Sigma$ .

Si vous avez fait démarrer l'enregistrement sur la face arrière, l'enregistrement s'effectuera uniquement sur cette face même si  $\Sigma$  ou  $\Sigma$  a été sélectionné.

### 3 Appuyez sur l'une des touches de fonction et préparez la source à enregistrer.

**Pour enregistrer depuis un CD**, appuyez sur la touche CD et chargez le disque, appuyez ensuite sur la touche  $\ll$  ou  $\gg$  pour sélectionner la première piste à enregistrer.

**Pour enregistrer depuis une émission de radio**, appuyez sur la touche TUNER/BAND et accordez une station.

### 4 Appuyez sur la touche $\bullet$ REC/ REC MUTE pour démarrer l'enregistrement.

REC clignote dans l'afficheur.  
Quand la source sélectionnée est CD, la lecture et l'enregistrement démarrent simultanément.

## REMARQUE

Lorsqu'on pilote l'appareil avec la télécommande, appuyer sur la touche  $\bullet$  REC/MUTE pendant 1 seconde pour démarrer l'enregistrement.

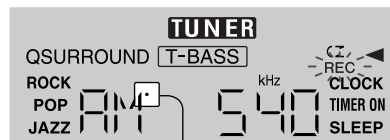
**Pour arrêter l'enregistrement**, appuyez sur la touche  $\blacksquare$ .  
**Pour arrêter temporairement l'enregistrement**, appuyez sur la touche  $\parallel$ . (Applicable si la source est RADIO.) Pour reprendre l'enregistrement, appuyez à nouveau.

## Pour enregistrer uniquement les pistes sélectionnées

Sélectionnez les pistes en suivant la même procédure que pour la lecture programmée (page 11), ensuite faites démarrer l'enregistrement.

## REMARQUE

Si des sons d'accrochage ou de battement sont audibles pendant l'enregistrement d'une émission AM, appuyez sur la touche MODE sur la télécommande afin d'éliminer le bruit. À chaque pression de la touche, le voyant lumineux dans l'afficheur s'active et se désactive.



Le voyant lumineux

## INSERTION D'ESPACES VIERGES

Des espaces vierges de 4 secondes peuvent être insérés à un emplacement souhaité pendant l'enregistrement depuis une émission de radio. Cela vous aide à localiser un morceau souhaité lors de la lecture postérieure de la cassette sur une autre platine, etc., dotée de capteur musical.

## REMARQUE

Il n'est pas possible d'insérer librement des espaces vierges pendant l'enregistrement depuis un CD.

- 1 Appuyez sur la touche  $\bullet$  REC/REC MUTE pendant l'enregistrement ou en mode pause d'enregistrement. REC se met à clignoter rapidement dans l'afficheur et la bande défile sans enregistrement. (Les espaces vierges sont insérés).

Au bout de 4 secondes, le défilement de la bande s'interrompt (mode pause d'enregistrement).

**Pour insérer des espaces vierges de moins de 4 secondes**, appuyez à nouveau sur la touche  $\bullet$  REC/REC MUTE alors que REC clignote rapidement.

**Pour insérer des espaces vierges de plus de 4 secondes**, appuyez à nouveau sur la touche  $\bullet$  REC/REC MUTE après le passage en mode pause d'enregistrement de la platine. Chaque pression de la touche ajoutera un espace vierge de 4 secondes.

- 2 Appuyez sur la touche  $\parallel$  pour reprendre l'enregistrement.

## Pour effacer un enregistrement

- 1 Appuyez sur la touche TAPE/REV MODE et insérez la cassette à effacer.
- 2 Réglez la bande à l'emplacement où vous souhaitez commencer à effacer.
- 3 Appuyez sur la touche  $\bullet$  REC/REC MUTE pour commencer à effacer.

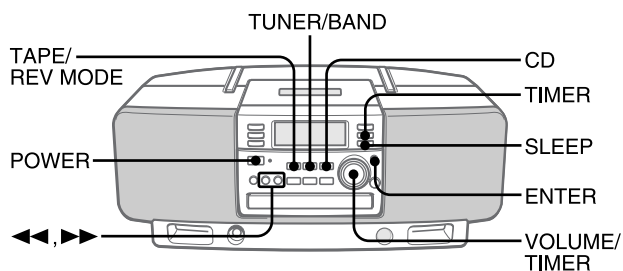
## Ajustement sonore pendant l'enregistrement

Le volume de sortie et la qualité sonore aux enceintes ou écouteurs peuvent être ajustés sans affecter l'enregistrement.



# LECTURE ET ENREGISTREMENT TEMPORISÉS

L'appareil peut être mis sous tension à une heure spécifiée tous les jours avec la minuterie intégrée.



### Préparatifs

Vérifiez que l'horloge est à l'heure.

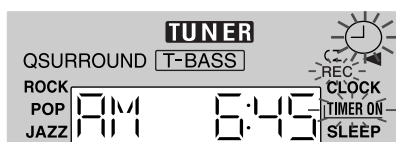
**1 Appuyez une fois sur la touche TIMER pour la lecture temporisée afin que ☺ clignote.**

**Appuyez deux fois sur la touche TIMER pour l'enregistrement temporisé afin que ☺ et REC clignotent.**



**2 Tourner la commande VOLUME/TIMER pour spécifier l'heure de mise sous tension par la minuterie.**

On pourra également utiliser la touche ◀◀ ou ▶▶. Appuyer de façon répétée sur la touche. Si l'on maintient la touche enfoncée, l'heure change par intervalles de 20 minutes.



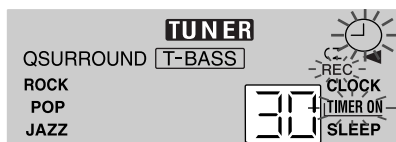
Heure de mise sous tension

**3 Appuyez sur la touche ENTER.**

**4 Tourner la commande VOLUME/TIMER pour spécifier la durée de fonctionnement par la minuterie.**

La durée change de 5 à 180 minutes, par intervalles de 5 minutes.

On pourra également utiliser la touche ◀◀ ou ▶▶.



Durée de fonctionnement par la minuterie

**5 Appuyez sur la touche ENTER.**

**6 Préparez la source.**

**Pour écouter un CD,** appuyez sur la touche CD et chargez le disque.

**Pour écouter une cassette,** appuyez sur la touche TAPE/REV MODE et insérez la cassette.

**Pour écouter la radio,** appuyez sur la touche TUNER/BAND et accordez une station.

Pour enregistrer depuis une émission de radio, appuyez sur la touche TUNER/BAND et accordez une station, puis insérez la cassette à enregistrer.

**7 Tournez la commande VOLUME/TIMER pour régler le volume.**

**8 Appuyez sur la touche POWER pour mettre l'appareil hors tension.**

Quand l'heure de mise sous tension est atteinte, l'appareil se met sous tension et la lecture de la source sélectionnée commence.

### REMARQUE

- La lecture et l'enregistrement temporisés ne commenceront pas à moins que l'appareil soit hors tension. Si vous utilisez l'appareil après le réglage de la minuterie, préparez la source, ajustez le volume et la qualité du son, puis mettez hors tension l'appareil.
- L'enregistrement temporisé depuis un CD n'est pas possible.
- Il est également possible de régler la minuterie lorsque l'appareil est éteint. Mais aux étapes 1 à 5, l'appareil revient à l'affichage de l'horloge si aucune opération n'est effectuée dans les 2 minutes.

### Pour vérifier le réglage de la minuterie

- 1 Appuyer une fois sur la touche TIMER pour la lecture par minuterie, et deux fois pour l'enregistrement par minuterie. L'heure de mise sous tension par la minuterie s'affiche.
- 2 Appuyer sur la touche ENTER. La durée de fonctionnement par la minuterie s'affiche.
- 3 Appuyer sur la touche ENTER pour restaurer l'affichage.

### Pour annuler le mode d'attente temporisé

Appuyez plusieurs fois sur la touche TIMER afin que ☺ ou ☺REC disparaisse de l'afficheur.

Pour rétablir le mode d'attente temporisé, appuyez à nouveau pour afficher ☺ ou ☺REC.

### Pour réinitialiser la minuterie

Réglez à nouveau la minuterie depuis le début.

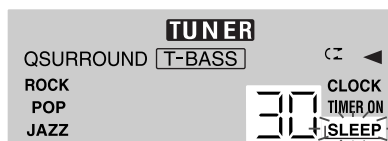
## RÉGLAGE DE LA MINUTERIE DE SOMMEIL

L'appareil peut être mis hors tension automatiquement à une heure spécifiée.

**1 Appuyez sur la touche SLEEP.**

**2 Dans les 4 secondes, tourner la commande VOLUME/TIMER pour sélectionner la durée jusqu'à la mise hors tension par la minuterie.**

La durée change de 5 à 180 minutes, par intervalles de 5 minutes. Il est également possible de sélectionner "OFF". On pourra également utiliser la touche ◀◀ ou ▶▶.



### Pour vérifier le temps restant jusqu'à l'activation temporisée

Appuyez une fois sur la touche SLEEP.

Le temps qui reste s'affiche pendant 4 secondes.

### Pour annuler la minuterie de sommeil

Appuyer deux fois sur la touche SLEEP.

## ENTRETIEN ET MAINTENANCE

L'entretien et la maintenance périodiques de l'appareil et des disques sont requis pour optimiser les performances de l'appareil.

### Nettoyage du coffret

Utilisez un chiffon doux et sec.

Si les surfaces sont très sales, utilisez un chiffon doux légèrement humidifié d'une solution détergente douce. N'utilisez pas de solvants puissants, comme l'alcool, la benzine ou un diluant; ils pourraient abîmer la finition de l'appareil.

### Pour nettoyer les têtes

Lorsque les têtes de bande sont sales :

- les sons aigus ne sont pas reproduits
- le son n'est pas suffisamment élevé
- le son est déséquilibré
- l'effacement de la bande est impossible
- l'enregistrement de la bande est impossible

Toutes les 10 heures d'utilisation, nettoyer les têtes de bande avec une cassette de nettoyage de tête.

Utiliser une cassette de nettoyage de type sec ou de type humide, vendue séparément.

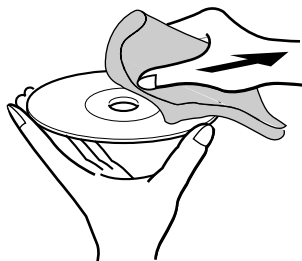
Pour les détails, voir les instructions de la cassette de nettoyage.

### Démagnétisation des têtes

Les têtes peuvent se magnétiser avec le temps ce qui peut réduire la plage de sortie des cassettes enregistrées et augmenter le bruit. Après 20 à 30 heures d'utilisation, démagnétisez les têtes avec un démagnétiseur disponible dans le commerce.

### Entretien des CD

- Quand un CD est sale, essuyez-le du centre vers la périphérie avec un chiffon de nettoyage.



- Après la lecture d'un CD, rangez-le dans sa boîte. Ne laissez pas les CD à un endroit chaud ou humide.

### Entretien des cassettes

- Rangez les cassettes dans leur boîte après l'usage.
- Ne laissez pas les cassettes près d'aimants, d'un moteur, d'un téléviseur, ou d'une source de magnétisme. Cela dégraderait la qualité sonore et causerait du bruit.
- N'exposez pas les cassettes en plein soleil, et ne laissez pas dans une voiture en plein soleil.

## GUIDE DE DÉPANNAGE

Vérifiez les points suivants si l'appareil ne fonctionne pas comme indiqué dans ce mode d'emploi.

### GÉNÉRALITÉS

#### Absence de son.

- Le cordon d'alimentation secteur est-il raccordé correctement?
- Si vous essayez d'utiliser l'appareil sur piles, les piles sont-elles correctement insérées?
- Une touche de fonction erronée a-t-elle été pressée?

#### Affichage erroné ou mauvais fonctionnement.

→ Remettez l'appareil dans l'état indiqué ci-dessous.

### SECTION TUNER

#### La réception radio est parasitée ou le son est déformé.

- L'appareil capte-t-il des bruits extérieurs ou y a-t-il distorsion multivoie?
  - Changez l'orientation de l'antenne
  - Éloignez l'appareil d'autres appareils électriques.

### SECTION PLATINE CASSETTE

#### La bande ne défile pas.

- La platine est-elle en mode pause? (→ page 7)

#### Le son est déséquilibré ou anormalement élevé.

- La tête de lecture est-elle sale? (→ page 14)

#### L'enregistrement est impossible.

- La languette de protection contre l'effacement est-elle brisée? (→ page 7)
- La tête d'effacement est-elle sale? (→ page 14)

#### L'effacement est impossible.

- La tête d'effacement est-elle? Sale (→ page 14)
- Une bande métal ou CrO<sub>2</sub> est-elle utilisée?

#### Les sons de haute fréquence ne sont pas sortis.

- La tête d'enregistrement/lecture est-elle sale? (→ page 14)

#### La cassette ne s'enlève pas.

→ Si vous essayez d'utiliser l'appareil alors que les piles sont usées, il se peut que la cassette s'arrête pendant la lecture ou l'enregistrement, et que le logement à cassette ne s'ouvre pas.

Dans ce cas, remplacez les piles par des piles neuves ou raccordez le cordon d'alimentation secteur fourni à l'appareil, enlevez ensuite la cassette.

### SECTION LECTEUR DE CD

#### Le lecteur de CD ne fonctionne pas.

- Le disque est-il correctement inséré? (→ page 10)
- Le disque est-il sale? (→ page 14)
- La lentille est-elle affectée par la condensation?
  - Attendez environ une heure, puis essayez à nouveau.

#### Pour réinitialiser l'appareil

En cas d'anomalie sur l'afficheur ou la platine cassette, réinitialisez l'appareil comme suit.

- 1 Appuyez sur la touche POWER pour mettre hors tension.
- 2 Appuyez sur la touche POWER pour remettre sous tension tout en appuyant sur la touche ■. Toutes les données mémorisées après l'achat seront effacées.

Si l'alimentation ne peut pas être coupée à l'opération 1 à cause d'un mauvais fonctionnement, réinitialisez en déconnectant le cordon d'alimentation et enlevez les piles, puis répétez l'opération 2.

# SPÉCIFICATIONS

---

## Section tuner FM

**Plage d'accord** 87,5 MHz à 108 MHz  
**Antenne** Antenne à tige

## Section tuner AM

**Plage d'accord** 530 kHz à 1710 kHz  
(pas de 10 kHz)  
531 kHz à 1602 kHz  
(pas de 9 kHz)  
**Antenne** Antenne à barre en oxyde de fer

## Section platine cassette

**Format des pistes** 2 canaux stéréo, 4 pistes  
**Réponse de fréquence** Cassette normale: 50 Hz – 12500 Hz

## Système d'enregistrement

**Têtes** Polarisation CA  
1 tête d'enregistrement/lecture,  
1 tête d'effacement

## Section lecteur de disque compact

**Laser** Laser semi-conducteur  
( $\lambda = 780 \text{ nm}$ )  
**Convertisseur N-A** Double, 1 bit

## Généralités

**Enceintes** 2 cônes 100 mm  
**Puissance de sortie** 2,5 W + 2,5 W (distorsion totale harmonique 10%/7  $\Omega$  CC)  
**Sortie** PHONES (mini-fiche stéréo)  
**Alimentation** Continu de 12 V en utilisant huit piles (R14) format C  
Secteur 120 V, 60 Hz  
**Consommation** 20 W  
**Dimensions de l'unité principale (L x H x P)** 440 x 165 x 225 mm  
**Poids de l'unité principale** 3,8 kg  
piles non comprises  
**Accessoires** Cordon secteur (1)  
Télécommande (1)

- Les spécifications et l'aspect extérieur sont sujets à modifications sans préavis.

## DROITS D'AUTEUR

Veillez vous informer sur les lois concernant les droits d'auteur des enregistrements des disques, de la radio ou de cassettes du pays dans lequel cet appareil est utilisé.

## REMARQUE

Cet appareil a été testé et jugé conforme aux limites des appareils numériques de classe B, conformément à la Partie 15 des Règles FCC. Ces limites sont conçues pour fournir une protection raisonnable contre les interférences néfastes dans une installation résidentielle.

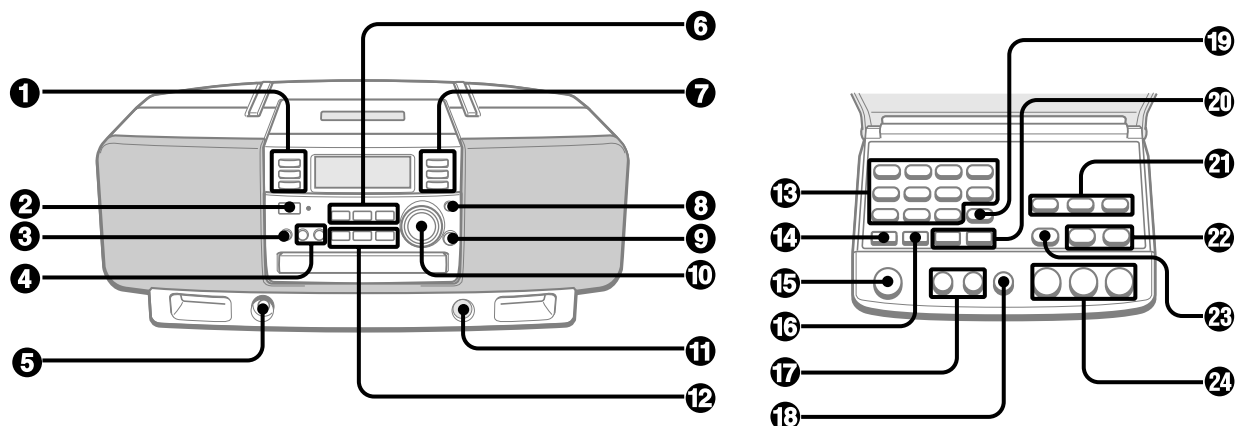
Cet appareil produit, utilise et peut rayonner une énergie de fréquence radio, et s'il n'est pas installé et utilisé conformément aux instructions, peut provoquer des interférences gênantes pour les communications radio. Cependant, rien ne garantit qu'une telle interférence ne se produira pas dans une installation particulière. Si cet appareil produit des interférences gênantes pour la réception radio ou de télévision, ce qui peut se déterminer en allumant et éteignant l'appareil, il est recommandé d'essayer de corriger cette interférence en appliquant une ou plusieurs des méthodes ci-dessous:

- Réorientation ou déplacement de l'antenne réceptrice.
- Éloignement de l'appareil du récepteur.
- Raccordement de l'appareil à une prise d'un circuit différent de celui du récepteur.
- Consultez le revendeur ou un technicien radio/télévision expérimenté.

## ATTENTION

Les modifications ou ajustements de ce produit, non expressément approuvés par le fabricant, peuvent invalider le droit ou l'autorité de l'utilisateur à utiliser ce produit.

# PARTS INDEX / ÍNDICE DE LOS COMPONENTES / INDEX



<b>1</b> QSURROUND .....	6	<b>13</b> 0-9, +10 .....	9, 10, 11
T-BASS .....	6	<b>14</b> DISPLAY .....	6
3-MODE EQ .....	6	<b>15</b> POWER .....	5
<b>2</b> POWER $\phi$ STANDBY/ON .....	5, 8, 13, 14	<b>16</b> REPEAT .....	11
<b>3</b> ● REC/REC MUTE .....	12	<b>17</b> VOLUME $-$ , $+$ .....	6
<b>4</b> $\lll$ / $\lll$ , $\ggg$ / $\ggg$ .....		<b>18</b> EQ .....	6
TUNING $-$ / $+$ .....	5, 7, 8, 9, 10, 12, 13	<b>19</b> MODE .....	8, 11
<b>5</b> PHONES .....	5	<b>20</b> T-BASS .....	6
<b>6</b> TAPE/REV MODE .....	5, 7, 12, 13	QSURROUND .....	6
TUNER/BAND .....	5, 8, 9, 13	<b>21</b> FUNCTION	
CD .....	5, 10, 13	TAPE .....	5, 7, 12, 13
<b>7</b> CLOCK .....	5	TUNER/BAND .....	5, 8, 9, 13
TIMER .....	13	CD .....	5, 10, 13
SLEEP .....	13	<b>22</b> $\lll$ / $\lll$ , $\ggg$ / $\ggg$ .....	
<b>8</b> ENTER .....	5, 13	TUNING/SKIP DOWN, UP .....	5, 7, 8, 9, 10, 12, 13
<b>9</b> $\blacktriangle$ CD OPEN .....	5, 10	<b>23</b> ● REC/MUTE .....	12
<b>10</b> VOLUME/TIMER .....	5, 6, 13	<b>24</b> $\parallel$ SET .....	5, 7, 9, 10, 12
<b>11</b> REMOTE SENSOR .....	4	■ CLEAR .....	5, 7, 9, 10, 11, 12
<b>12</b> $\parallel$ SET .....	5, 7, 9, 10, 12	◀ PRESET .....	7, 9, 10, 11
■ CLEAR .....	5, 7, 9, 10, 11, 12		
◀▶ PRESET/DIR .....	7, 9, 10, 11		

## Free Manuals Download Website

<http://myh66.com>

<http://usermanuals.us>

<http://www.somanuals.com>

<http://www.4manuals.cc>

<http://www.manual-lib.com>

<http://www.404manual.com>

<http://www.luxmanual.com>

<http://aubethermostatmanual.com>

Golf course search by state

<http://golfingnear.com>

Email search by domain

<http://emailbydomain.com>

Auto manuals search

<http://auto.somanuals.com>

TV manuals search

<http://tv.somanuals.com>