

aiwa

COMPACT DISC STEREO SYSTEM
SISTEMA ESTEREO CON REPRODUCTOR DE DISCOS COMPACTOS
CHAINE STEREO AVEC LECTEUR DE DISQUES COMPACTS

CX-NA22
-For NSX-A22

OPERATING INSTRUCTIONS
MANUAL DE INSTRUCCIONES
MODE D'EMPLOI

En (English)

E (Español)

F (Français)

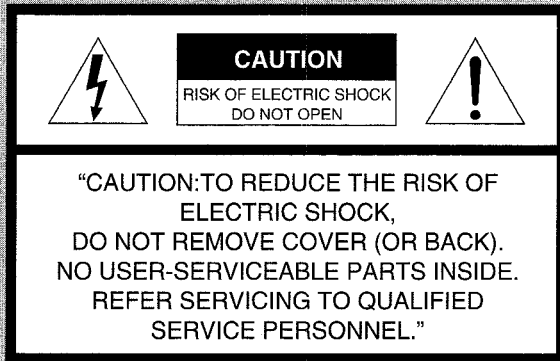
For assistance and information

call toll free 1-800-BUY-AIWA

(United States and Puerto Rico)

WARNING

TO REDUCE THE RISK OF FIRE OR ELECTRIC SHOCK, DO NOT EXPOSE THIS APPLIANCE TO RAIN OR MOISTURE.



Explanation of Graphical Symbols:



The lightning flash with arrowhead symbol, within an equilateral triangle, is intended to alert the user to the presence of uninsulated "dangerous voltage" within the product's enclosure that may be of sufficient magnitude to constitute a risk of electric shock to persons.



The exclamation point within an equilateral triangle is intended to alert the user to the presence of important operating and maintenance (servicing) instructions in the literature accompanying the appliance.

Owner's record


For your convenience, record the model number and serial number (you will find them on the rear of your set) in the space provided below. Please refer to them when you contact your Aiwa dealer in case of difficulty.

Model No.	Serial No. (Lot No.)
CX-NA22	
SX-NA22	

PRECAUTIONS

Read the Operating Instructions carefully and completely before operating the unit. Be sure to keep the Operating Instructions for future reference. All warnings and cautions in the Operating Instructions and on the unit should be strictly followed, as well as the safety suggestions below.

Installation

- Water and moisture** — Do not use this unit near water, such as near a bathtub, washbowl, swimming pool, or the like.
- Heat** — Do not use this unit near sources of heat, including heating vents, stoves, or other appliances that generate heat. It also should not be placed in temperatures less than 5°C (41°F) or greater than 35°C (95°F).
- Mounting surface** — Place the unit on a flat, even surface.
- Ventilation** — The unit should be situated with adequate space around it so that proper heat ventilation is assured. Allow 10 cm (4 in.) clearance from the rear and the top of the unit, and 5 cm (2 in.) from each side.
 - Do not place the unit on a bed, rug, or similar surface that may block the ventilation openings.
 - Do not install the unit in a bookcase, cabinet, or airtight rack where ventilation may be impeded.
- Objects and liquid entry** — Take care that objects or liquids do not get inside the unit through the ventilation openings.
- Carts and stands** — When placed or mounted on a stand or cart, the unit should be moved with care. Quick stops, excessive force, and uneven surfaces may cause the unit or cart to overturn or fall.
 
- Condensation** — Moisture may form on the CD pickup lens when:
 - The unit is moved from a cold spot to a warm spot
 - The heating system has just been turned on
 - The unit is used in a very humid room
 - The unit is cooled by an air conditioner
 When this unit has condensation inside, it may not function normally. Should this occur, leave the unit for a few hours, then try to operate again.
- Wall or ceiling mounting** — The unit should not be mounted on a wall or ceiling, unless specified in the Operating Instructions.

Electric Power

- Power sources** — Connect this unit only to power sources specified in the Operating Instructions, and as marked on the unit.
- Polarization** — As a safety feature, some units are equipped with polarized AC power plugs which can only be inserted one way into a power outlet. If it is difficult or impossible to insert the AC power plug into an outlet, turn the plug over and try again. If it still does not easily insert into the outlet, please call a qualified service technician to service or replace the outlet. To avoid defeating the safety feature of the polarized plug, do not force it into a power outlet.
- AC power cord**
 - When disconnecting the AC power cord, pull it out by the AC power plug. Do not pull the cord itself.
 - Never handle the AC power plug with wet hands, as this could result in fire or shock.
 - Power cords should be firmly secured to avoid being severely bent, pinched, or walked upon. Pay particular attention to the cord from the unit to the power socket.
 - Avoid overloading AC power plugs and extension cords beyond their capacity, as this could result in fire or shock.

- 4 Extension cord** — To help prevent electric shock, do not use a polarized AC power plug with an extension cord, receptacle, or other outlet unless the polarized plug can be completely inserted to prevent exposure of the blades of the plug.
- 5 When not in use** — Unplug the AC power cord from the AC power plug if the unit will not be used for several months or more. When the cord is plugged in, a small amount of current continues to flow to the unit, even when the power is turned off.

Damage Requiring Service

Have the units serviced by a qualified service technician if:

- The AC power cord or plug has been damaged
- Foreign objects or liquid have gotten inside the unit
- The unit has been exposed to rain or water
- The unit does not seem to operate normally
- The unit exhibits a marked change in performance
- The unit has been dropped, or the cabinet has been damaged

DO NOT ATTEMPT TO SERVICE THE UNIT YOURSELF.

TABLE OF CONTENTS

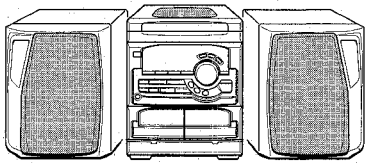
PRECAUTIONS	1
PREPARATIONS	
CONNECTIONS	3
REMOTE CONTROL	4
BEFORE OPERATION	5
SOUND	
AUDIO ADJUSTMENTS	5
GRAPHIC EQUALIZER	6
RADIO RECEPTION	
MANUAL TUNING	6
PRESETTING STATIONS	7
TAPE PLAYBACK	
BASIC OPERATIONS	8
CD PLAYING	
BASIC OPERATIONS	9
PROGRAMMED PLAY	10
RECORDING	
BASIC RECORDING	11
DUBBING A TAPE MANUALLY	12
DUBBING THE WHOLE TAPE	12
AI EDIT RECORDING	13
PROGRAMMED EDIT RECORDING	14
CLOCK AND TIMER	
SETTING THE CLOCK	15
SETTING THE SLEEP TIMER	15
SETTING THE TIMER	16
OTHER CONNECTIONS	
CONNECTING OPTIONAL EQUIPMENT	17
LISTENING TO EXTERNAL SOURCES	17
GENERAL	
CARE AND MAINTENANCE	18
TROUBLESHOOTING GUIDE	18
SPECIFICATIONS	19
PARTS INDEX	<i>Back cover</i>

PREPARATIONS

En

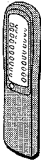
CONNECTIONS

Check your system and accessories

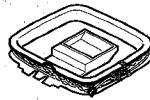


CX-NA22 Compact disc stereo cassette receiver
SX-NA22 Front speakers

Remote control



AM antenna



Operating Instructions, etc

Before connecting the AC cord

The rated voltage of your unit shown on the rear panel is 120 V AC. Check that the rated voltage matches your local voltage.

IMPORTANT

Connect the speakers, antennas, and all optional equipment first. Then connect the AC cord in the end.

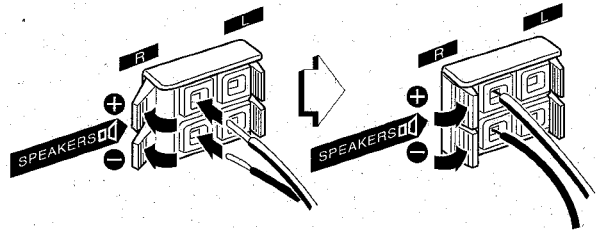
CAUTION!

Do not connect the FM antenna to the outdoor antenna terminal on the wall, as this could result in shock.

1 Connect the right and left speakers to the main unit.

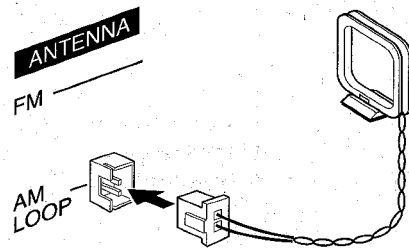
Connect the right speaker cord to the SPEAKERS R terminals, and left to the SPEAKERS L terminals.

There are no differences between the front speakers. Both speakers can be connected as L (left) or R (right).



The speaker cord with the white stripe should be connected to the + terminal and the black cord to the - terminal.

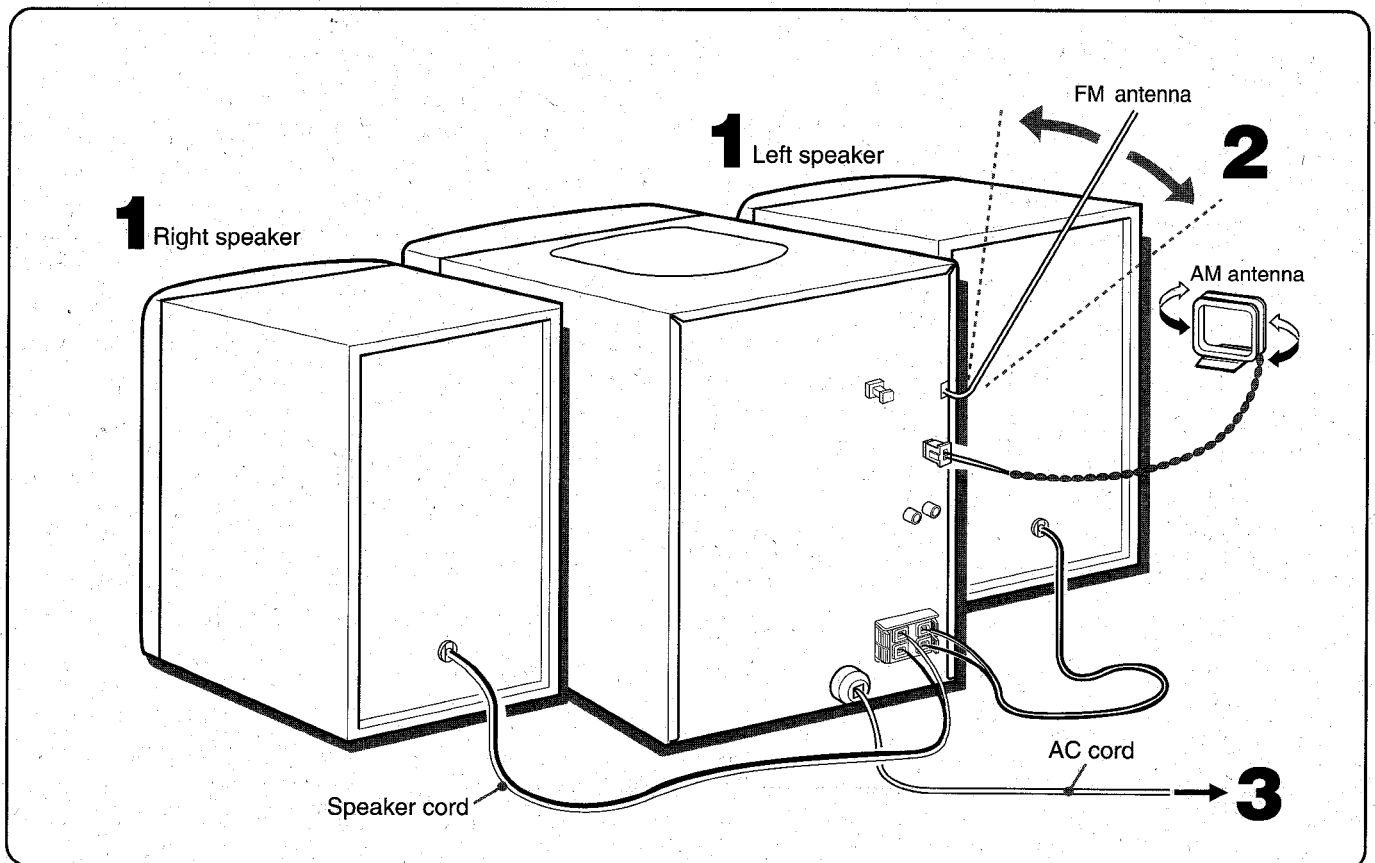
2 Connect the supplied AM antenna to the AM LOOP terminal.



3 Connect the AC cord to an AC outlet.

NOTE

When the AC cord is connected, the all characters may light up on the display. In this case, disconnect the AC cord. Then, connect it again.



To position the antennas

FM antenna:

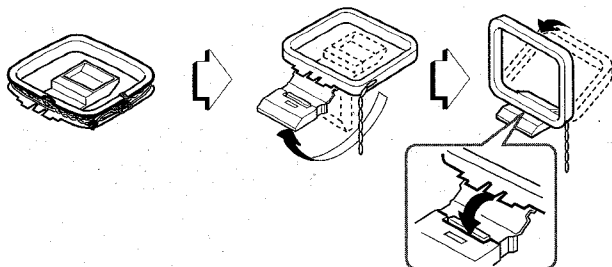
Extend fully and fix its end to the wall.

AM antenna:

Position to find the best reception.

To stand the AM antenna on a surface

Fix the claw to the slot.



NOTE

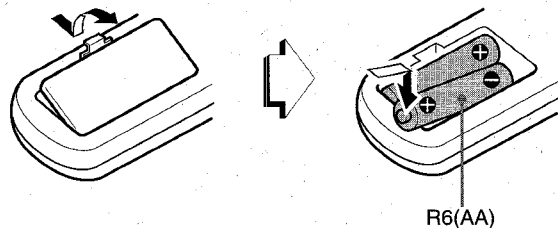
- Be sure to connect the speaker cords correctly. Improper connections can cause short circuits in the SPEAKERS terminals.
- Do not leave objects generating magnetism near the speakers.
- Do not bring the FM antenna near metal objects or curtain rails.
- Do not bring the AM antenna near other optional equipment, the stereo system itself, the AC cord or speaker cords, since noise will be picked up.
- Do not unwind the AM antenna wire.

To connect other optional equipment → page 17.

REMOTE CONTROL

Inserting batteries

Detach the battery cover on the rear of the remote control and insert two R6 (size AA) batteries.



When to replace the batteries

The maximum operational distance between the remote control and the sensor on the main unit should be approximately 5 meters (16 feet). When this distance decreases, replace the batteries with new ones.

To use the SHIFT button on the remote control

Buttons ① have two different functions. One of these functions is indicated on the button, and the other on the plate above the button.

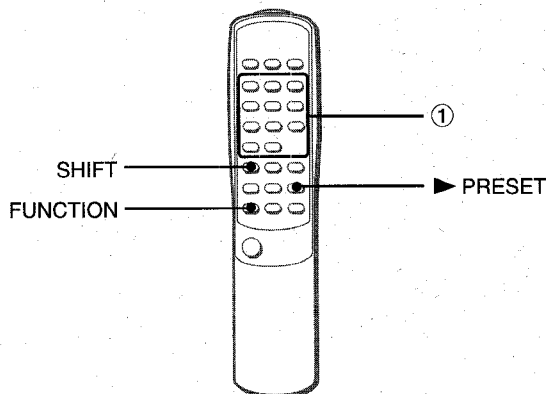
To use the function on the button, simply press the button.

To use the function on the plate above the button, press the button while pressing the SHIFT button.

To use the FUNCTION button on the remote control

The FUNCTION button substitutes for the function buttons (TAPE/DECK 1/2, TUNER, VIDEO/AUX, CD) on the main unit.

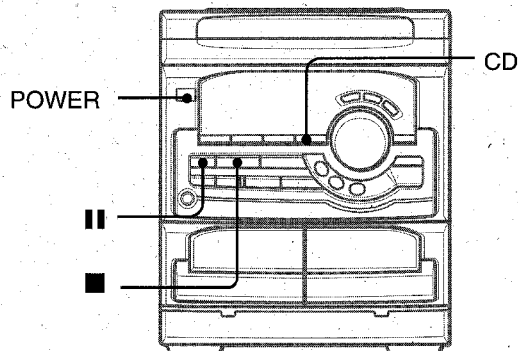
Each time the FUNCTION button is pressed, the next function is selected cyclically. When tapes are inserted in both decks, both decks are selected with the FUNCTION button.



NOTE

- If the unit is not going to be used for an extended period of time, remove the batteries to prevent possible electrolyte leakage.
- The remote control may not operate correctly when:
 - The line of sight between the remote control and the remote sensor inside the display window is exposed to intense light, such as direct sunlight
 - Other remote controls are used nearby (those of a television, etc.)

BEFORE OPERATION



To turn the unit on

Press one of the function buttons (TAPE, TUNER, VIDEO/AUX, CD).

Playback of the inserted disc or tape begins, or the previously tuned station is received (Direct Play Function).

The POWER button is also available.

When the unit is turned on, the disc compartment may open and close to reset the unit.

DEMO (Demonstration) mode

When the AC cord is connected, the display window demonstrates the functions of the unit. When the power is turned on, the DEMO display is overridden by the operation display. When the power is turned off, the DEMO mode is restored.

To cancel DEMO mode

Press the **II** SET button while the power is off. The clock flashes on the display. (To set the current time, see "SETTING THE CLOCK" on page 15.) To re-activate DEMO mode, press the **▶** button while the power is off.

Flash window

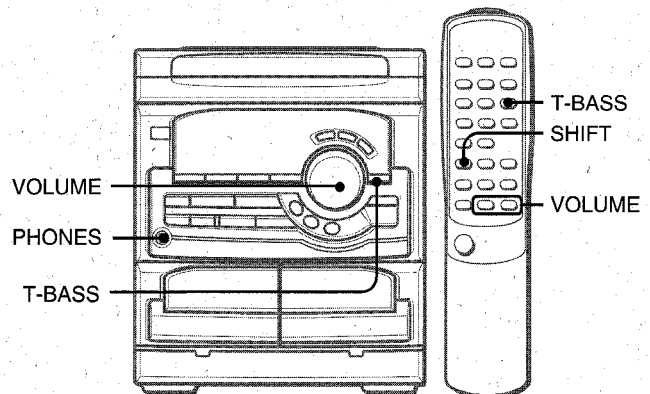
The window on the top of the unit lights up or flashes while the unit is being powered on.

To turn off the light of the top window, press the CD button while pressing the **■** button. To turn back on, repeat the above.

To turn the unit off

Press the POWER button.

AUDIO ADJUSTMENTS



VOLUME

Turn the VOLUME control on the main unit, or press the VOLUME buttons on the remote control.

The volume level is displayed as a number from 0 to MAX (31).

The volume level is automatically set to 16 when the power is turned off with the volume level set to 17 or more.

SUPER T-BASS SYSTEM

The T-BASS system enhances the realism of low-frequency sound.

Press the T-BASS button.

Each time it is pressed, the level changes. Select one of the three levels, or the off position to suit your preference.

➤ +1 ➤ +2 ➤ +3 ➤ OFF (cancel)



To select with the remote control

press the T-BASS button while pressing the SHIFT button.

NOTE

Low frequency sound may be distorted when the T-BASS system is used for a disc or tape in which low frequency sound is originally emphasized. In this case, cancel the T-BASS system.

Using the headphones

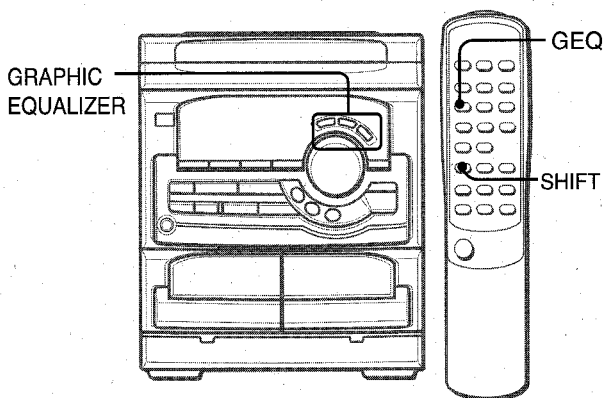
Connect headphones to the PHONES jack with a standard stereo plug (ø6.3 mm, 1/4 inch).

No sound is output from the speakers while the headphones are plugged in.

Sound adjustment during recording

The output volume and tone of the speakers or headphones may be freely varied without affecting the level of the recording.

GRAPHIC EQUALIZER



This unit provides the following three different equalization curves.
ROCK: Powerful sound emphasizing treble and bass
POP: More presence in the vocals and midrange
JAZZ: Accented lower frequencies for jazz-type music.

Press one of the GRAPHIC EQUALIZER buttons.

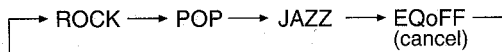


To cancel the selected mode

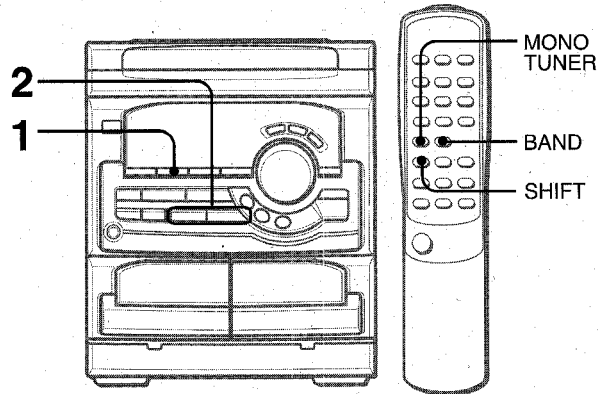
Press the selected button again. "EQ OFF" is displayed.

To select with the remote control

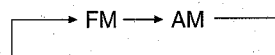
Press the GEQ button repeatedly while pressing the SHIFT button. The GEQ mode is displayed cyclically as follows.



MANUAL TUNING



1 Press the TUNER/BAND button repeatedly to select the desired band.



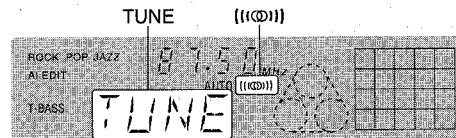
When the TUNER/BAND button is pressed while the power is off, the power is turned on directly.

To select a band with the remote control

Press the BAND button while pressing the SHIFT button.

2 Press the ◀◀ DOWN or ▶▶ UP button to select a station.

Each time the button is pressed, the frequency changes. When a station is received, "TUNE" is displayed for 2 seconds. During FM stereo reception, ((Ⓜ)) is displayed.



To search for a station quickly (Auto Search)

Keep the ◀◀ DOWN or ▶▶ UP button pressed until the tuner starts searching for a station. After tuning in to a station, the search stops.

To stop the Auto Search manually, press the ◀◀ DOWN or ▶▶ UP button.

- The Auto Search may not stop at stations with very weak signals.

When an FM stereo broadcast contains noise

Press the MONO TUNER button while pressing the SHIFT button on the remote control so that "AUTO" disappears on the display. Noise is reduced, although reception is monaural.

To restore stereo reception, press these buttons so that "AUTO" appears.

To change the AM tuning interval

The default setting of the AM tuning interval is 10 kHz/step. If you use this unit in an area where the frequency allocation system is 9 kHz/step, change the tuning interval.

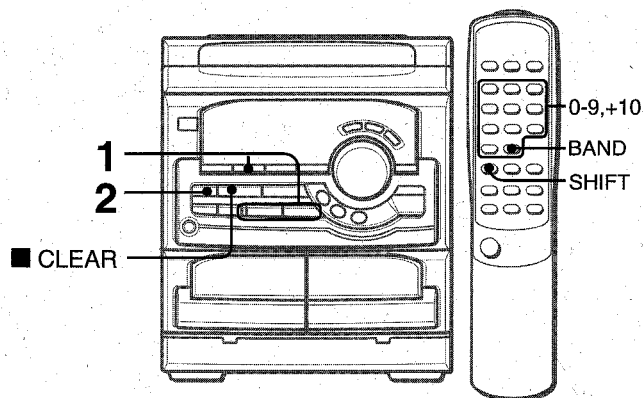
Press the POWER button while pressing the TUNER/BAND button.

To reset the interval, repeat this procedure.

NOTE

When the AM tuning interval is changed, all preset stations are cleared. The preset stations have to be set again.

PRESETTING STATIONS

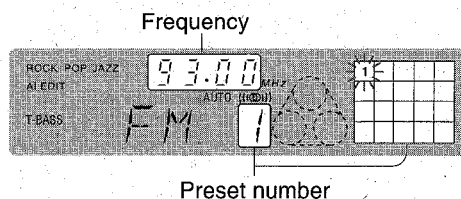


The unit can store a total of 32 preset stations. (Each band has a maximum of 20 available preset stations.) When a station is stored, a preset number is assigned to the station. Use the preset number to tune in to a preset station directly.

1 Press the TUNER/BAND button to select a band, and press the ◀◀ DOWN or ▶▶ UP button to select a station.

2 Press the ■ SET button to store the station.

A preset number beginning from 1 in consecutive order for each band is assigned to the station.



3 Repeat steps 1 and 2.

The next station will not be stored if a total of 32 preset stations for all the bands or a total of 20 preset stations for one band have already been stored.

PRESET NUMBER TUNING

Use the remote control to select the preset number directly.

1 Press the BAND button while pressing the SHIFT button to select a band.

2 Press the numbered buttons to select a preset number.

Example:

To select preset number 20, press the +10, +10 and 0 buttons.

To select preset number 15, press the +10 and 5 buttons.

Selecting a preset number on the main unit

Press the TUNER/BAND button to select a band. Then, press the ▶ PRESET button repeatedly.

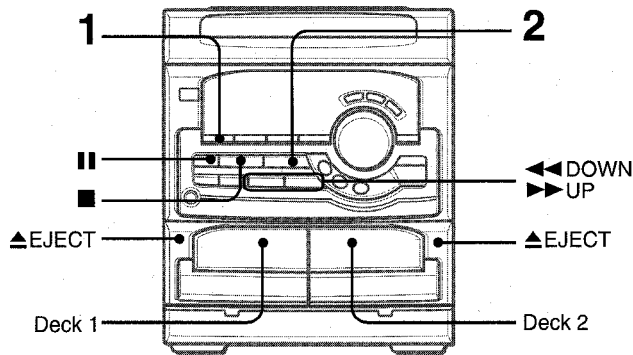
Each time the button is pressed, the next ascending number is selected.

To clear a preset station

Select the preset number of the station to be cleared. Then, press the ■ CLEAR button, and press the ■ SET button within 4 seconds.

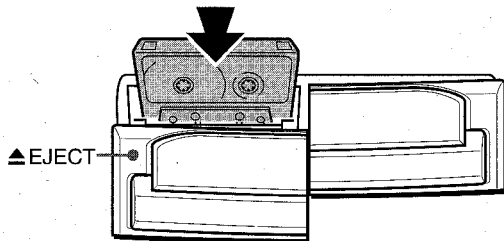
The preset numbers of all other stations in the band with higher numbers are also decreased by one.

BASIC OPERATIONS



Use Type I (normal) tapes only.

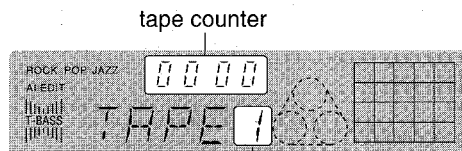
1 Press the TAPE button and press the \blacktriangleleft EJECT mark to open the cassette holder.



Insert a tape with the exposed side down. Push the cassette holder to close.

2 Press the \blacktriangleright button to start play.

Only the side facing out from the unit can be played back.



The selected deck number

To select a playing deck

When tapes are loaded in both decks, press the TAPE button first to select a deck.

The selected deck number is displayed.

To stop play, press the \blacksquare button.

To pause play (deck 2 only), press the II button. To resume play, press again.

To fast forward or rewind, press the \blacktriangleleft or \blacktriangleright button. Then press the \blacksquare button to stop the tape.

To start play when the power is off (Direct Play Function)

Press the TAPE button. The power is turned on and play of the inserted tape begins.

To set the tape counter to 0000

Press the \blacksquare CLEAR button in stop mode.

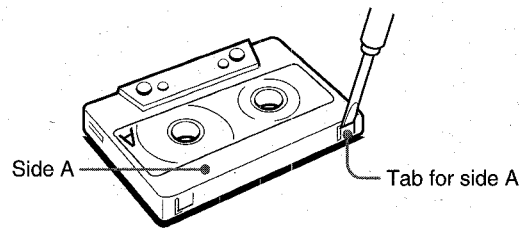
The counter is also set to 0000 when the cassette holder is opened.

When tapes are loaded in both decks

After playback on deck 1 finishes, the tape in the deck 2 will start to play without interruption and will stop at the end of the tape. (Continuous play)

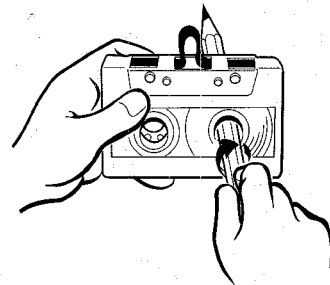
About cassette tapes

- To prevent accidental erasure, break off the plastic tabs on the cassette tape after recording with a screwdriver or other pointed tool.

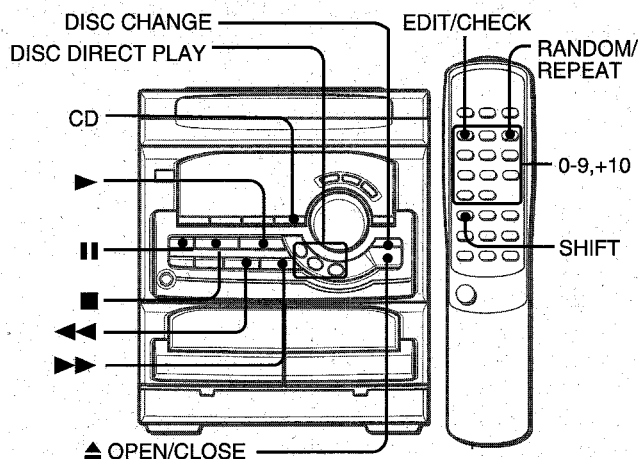


To record on the tape again, cover the tab openings with adhesive tape, etc.

- **120-minute or longer tapes** are extremely thin and easily deformed or damaged. They are not recommended.
- **Take up any slack** in the tape with a pencil or similar tool before use. Slack tape may break or jam in the mechanism.



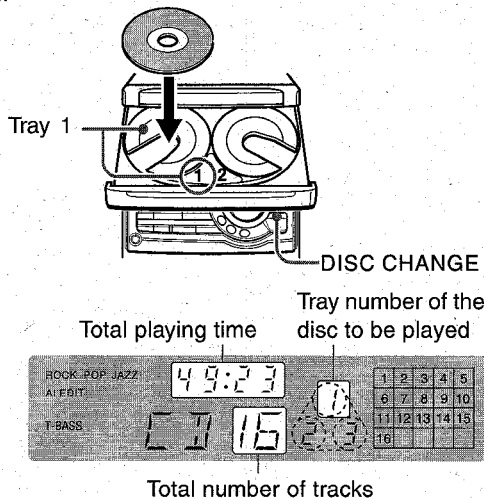
BASIC OPERATIONS



LOADING DISCS

Press the CD button, then press the ▲ OPEN/CLOSE button to open the disc compartment. Load disc(s) with the label side up.

To play one or two discs, place the discs on tray 1 and 2.
 To play three discs, press the DISC CHANGE button to rotate the trays after placing two discs. Place the third disc on tray 3. Close the disc compartment by pressing the ▲ OPEN/CLOSE button.

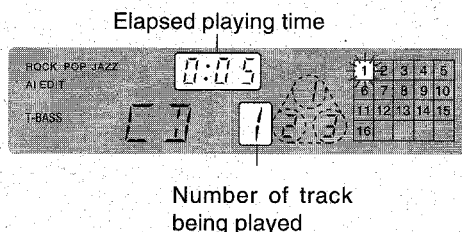


PLAYING DISCS

Load discs.

To play all discs in the disc compartment, press the ► button.

Play begins with the disc on tray 1.



To play one disc only, press one of the DISC DIRECT PLAY buttons.

The selected disc is played once.

To stop play, press the ■ button.

To pause play, press the || button. To resume play, press again.

To search for a particular point during playback, keep the ◀◀ or ▶▶ button pressed and release the button at the desired point.

To skip to the beginning of a track during playback, press the ◀◀ or ▶▶ button repeatedly.

To remove discs, press the ▲ OPEN/CLOSE button.

To start play when the power is off (Direct Play Function)

Press the CD button. The power is turned on and play of the loaded disc(s) begins.

When the ▲ OPEN/CLOSE button is pressed, the power is also turned on.

To check the remaining time

During play, press the EDIT/CHECK button on the remote control while pressing the SHIFT button. The amount of time remaining until all tracks finish playing is displayed. To restore the playing time display, repeat the above.

Selecting a track with the remote control

- 1 Press one of the DISC DIRECT PLAY buttons to select a disc.
- 2 Press the numbered buttons and the +10 button to select a track.

Example:

To select the 25th track, press the +10, +10 and 5 buttons.

To select the 10th track, press the +10 and 0 buttons.

The selected track starts to play and continues to the end of that disc.

Replacing discs during play

While one disc is playing, the other discs can be replaced without interrupting play.

- 1 Press the DISC CHANGE button.
- 2 Remove the discs and replace with other discs.
- 3 Press the ▲ OPEN/CLOSE button to close the disc compartment.

NOTE

- When loading an 8-cm (3-inch) disc, put it onto the inner circle of the tray.
- Do not place more than one compact disc on one disc tray.
- Do not tilt the unit with discs loaded. Doing so may cause malfunctions.

RANDOM /REPEAT PLAY

Use the remote control.

RANDOM play

All the tracks on the selected disc or on all the discs can be played randomly.

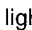
REPEAT play

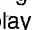
A single disc or all the discs can be played repeatedly.

Press the RANDOM/REPEAT button while pressing the SHIFT button.

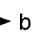
Each time it is pressed, the function can be selected cyclically.

RANDOM play — RANDOM lights up on the display.

REPEAT play —  lights up on the display.

RANDOM/REPEAT play — RANDOM and  light up on the display.

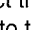
Cancel — RANDOM and  go out from the display.

To play all discs, press the  button to start play.

To play a single disc, press one of the DISC DIRECT PLAY buttons to start play.

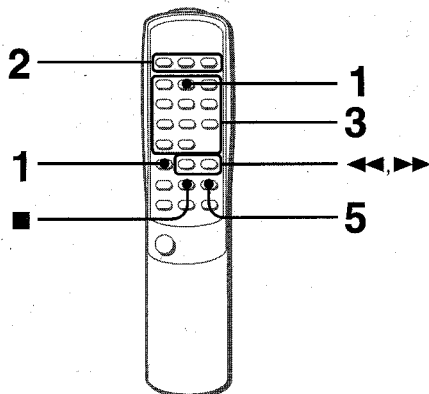
NOTE

During random play following operations are not possible:

- to select the tracks directly with the numbered buttons.
- to skip to the previously played track with the  button.

PROGRAMMED PLAY

Up to 30 tracks can be programmed from any of the inserted discs.



Use the remote control.

1 Press the PRGM button while pressing the SHIFT button in stop mode.

The PGM is displayed.



2 Press one of the DISC DIRECT PLAY buttons to select a disc.

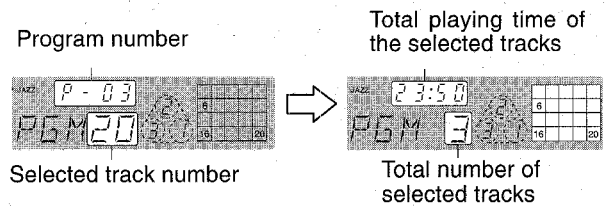
The selected disc is indicated in red on the display. Go to the next step when the tray stops rotating.

3 Press the numbered buttons and the +10 button to program a track.

Example:

To select the 25th track, press the +10, +10 and 5 buttons.


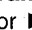
To select the 10th track, press the +10 and 0 buttons.



4 Repeat steps 2 and 3 to program other tracks.

5 Press the button to start play.

To check the program

Each time the  or  button is pressed in stop mode, a disc number, track number, and program number will be displayed.

To clear the program

Press the  CLEAR button in stop mode.

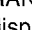
To add tracks to the program

Repeat steps 2 and 3 in stop mode. The track will be programmed after the last track.

To change the programmed tracks

Clear the program and repeat all the steps again.

To play the programmed tracks repeatedly

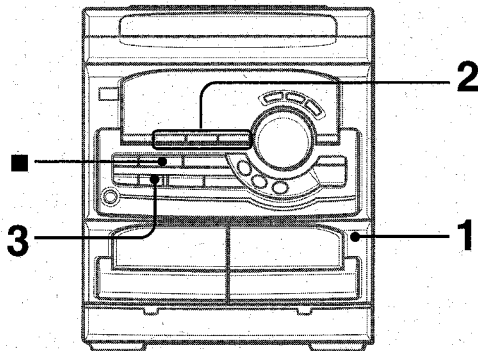
After programming the tracks, press the RANDOM/REPEAT button repeatedly until  appears on the display.

NOTE

During programmed play, you cannot perform random play, checking the remaining time and selecting a disc or track.

BASIC RECORDING

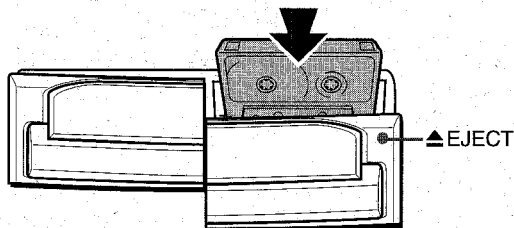
This section explains how to record from the tuner, CD player, or external equipment.



Preparation

- Use Type I (normal) tapes only.
- Set the tape to the point where recording will start.
- Note that recording is done only one side of the tape.

- 1 Insert the tape to be recorded on into deck 2.**
Insert the tape with the side to be recorded on first facing out from the unit.



- 2 Press one of the function buttons and prepare the source to be recorded.**

To record from a CD, press the CD button and load the disc(s).

To record from a radio broadcast, press the TUNER button and tune in to a station.

To record from a connected source, press the VIDEO/AUX button and play.

- 3 Press the ● REC button to start recording.**

When the selected function is CD, playback and recording start simultaneously.

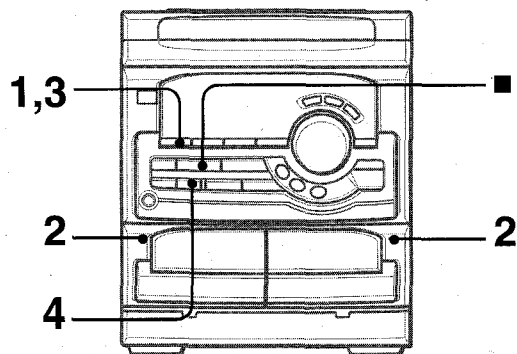
To stop recording, press the ■ button.

To pause recording, press the || button. (Applicable when the source is TUNER or VIDEO/AUX) To resume recording, press it again.

To erase a recording

- 1 Insert the tape to be erased into deck 2 and press the TAPE/DECK 1/2 button to display "TAPE 2".
- 2 Set the tape to the point where the erasure is to be started.
- 3 Press the ● REC button to start the erasure.

DUBBING A TAPE MANUALLY



NOTE

- Set the tape to the point where recording will start.
- Note that recording will be done on one side of the tape only.

1 Press the TAPE button.

2 Insert the original tape into deck 1 and the tape to be recorded on into deck 2.

Insert the tapes with the sides to be played back or recorded on facing out from the unit.

3 Press the TAPE/DECK 1/2 button to select deck 1.

"TAPE 1" is displayed.

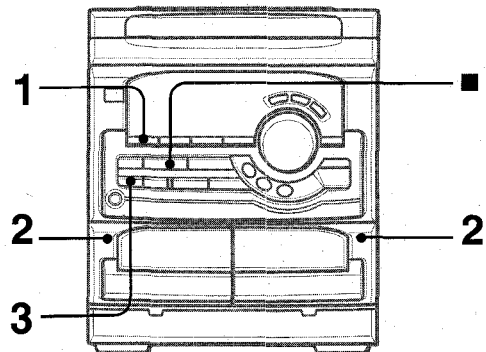
4 Press the ● REC button to start recording.

Playing and recording start simultaneously.

To stop dubbing

Press the ■ button.

DUBBING THE WHOLE TAPE



This function allows you to make exact copies of the original tape.

NOTE

- Dubbing does not start from a point halfway in the tape.
- Note that recording will be done on one side of the tape only.

1 Press the TAPE button.

2 Insert the original tape into deck 1 and the tape to be recorded on into deck 2.

Insert each tape with the side to be played back or recorded on facing out from the unit.

3 Press the SYNC DUB button to start recording.

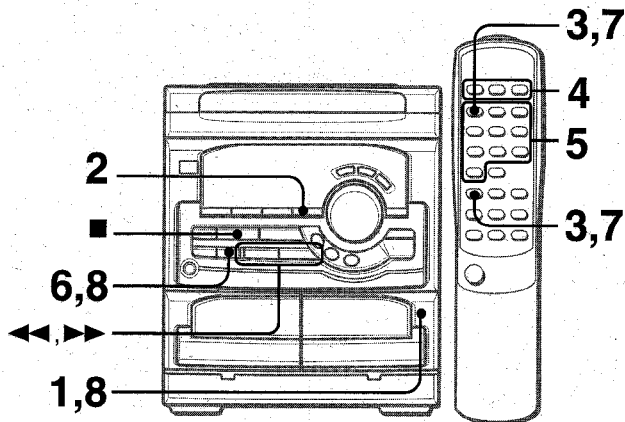


The tapes are rewound to the beginning of the front sides, and recording starts.

To stop dubbing

Press the ■ button.

AI EDIT RECORDING



The AI edit function enables CD recording without worrying about tape length and track length. When a CD is inserted, the unit automatically calculates the total track length. If necessary, the order of tracks is rearranged so that no track is cut short. (AI: Artificial Intelligence)

NOTE

AI edit recording will not start from a point halfway into the tape. The tape must be recorded from the beginning of either side.

1 Insert the tape into deck 2.

Insert the tape with the side to be recorded on first facing out from the unit.

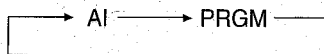
2 Press the CD button and load the disc(s).

3 Press the EDIT/CHECK button once while pressing the SHIFT button on the remote control.

"AI EDIT" is surrounded by red and AI is displayed.



Each time it is pressed, the display changes as follows.



4 Press one of the DISC DIRECT PLAY buttons to select a disc.

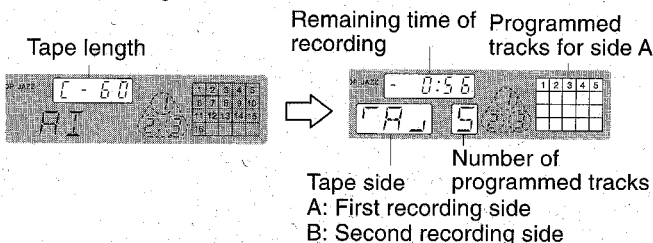
5 Press the numbered buttons on the remote control to designate the tape length.

10 to 99 minutes can be specified.

Example: When using a 60-minute tape, press the 6 and 0 buttons.

In a few seconds, the microcomputer programmes the tracks to be recorded on each side of the tape.

- The ◀◀ and ▶▶ buttons are also available to designate the tape length.



6 Press the ● REC button to start recording on the first side.

The tape is rewound to the beginning of the first side, the lead segment is played through for 10 seconds, and recording starts. When the last track programmed for side A is finished, deck 2 enters the recording stop mode. After entering the recording stop mode, go to step 7.

7 Press the EDIT/CHECK button while pressing the SHIFT button on the remote control to display the program for the second recording.

B is displayed.

8 Turn over the tape in deck 2 and press the ● REC button to start recording on the second side.

To stop recording

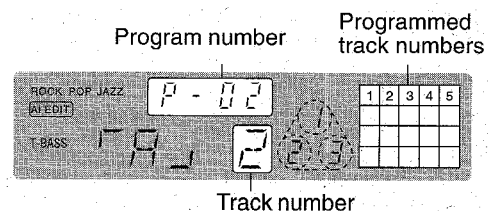
Press the ■ button. Recording and CD play stop simultaneously.

To clear the edit program

Press the ■ CLEAR button twice so that red line surrounding "AI EDIT" disappears on the display.

To check the order of the programmed track numbers

Before recording, press the EDIT/CHECK while pressing the SHIFT button on the remote control to select side A or B, and press the ◀◀ or ▶▶ button repeatedly.



To add tracks from other discs to the edit program

If there is any time remaining on the tape after step 5, you can add tracks from other discs in the CD compartment.

- 1 Press the EDIT/CHECK button while pressing the SHIFT button on the remote control to select side A or B.
- 2 Press one of the DISC DIRECT PLAY buttons to select a disc.
- 3 Press the numbered buttons on the remote control to select tracks.

A track whose playing time is longer than the remaining time cannot be programmed.

- 4 Repeat steps 2 and 3 to add more tracks.

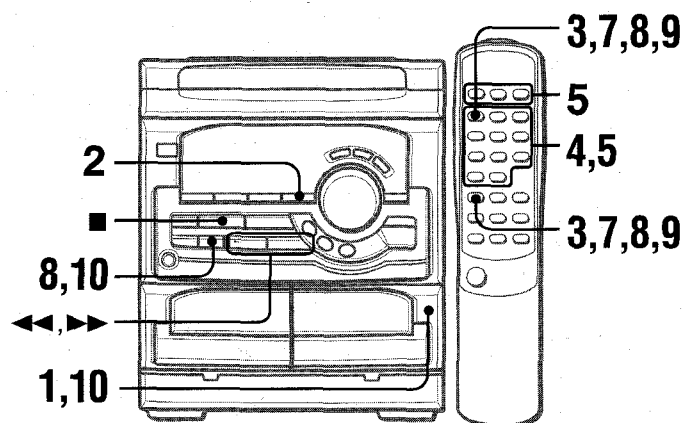
Time on cassette tapes and editing time

The actual cassette recording time is usually a little longer than the specified recording time printed on the label. This unit can program tracks to use the extra time. When the total recording time is a little longer than the tape's specified recording time after editing, the display shows the extra time (without a minus mark), instead of the time remaining on the tape (with the minus mark).

NOTE

The AI edit function cannot be used with discs containing 31 tracks or more.

PROGRAMMED EDIT RECORDING



Programmed edit function enables CD recording while checking the remaining time on each side of the tape as the tracks are programmed.

NOTE

The programmed edit recording will not start from a point halfway in the tape. The tape must be recorded from the beginning of either side.

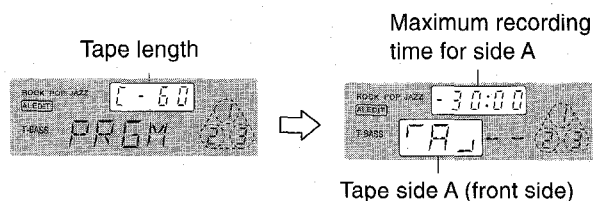
1 Insert the tape into deck 2.

Insert the tape with the side to be recorded on first facing out from the unit.

2 Press the CD button and load the disc(s).

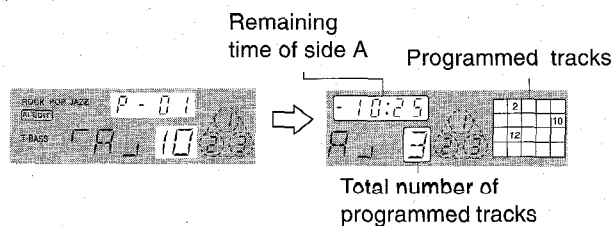
3 Press the EDIT/CHECK button twice while pressing the SHIFT button on the remote control. "AI EDIT" is surrounded by red and PRGM is displayed.

4 Press the numbered buttons on the remote control to designate the tape length. 10 to 99 minutes can be specified.



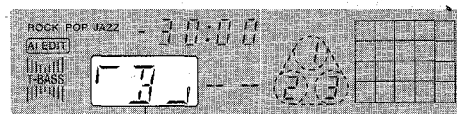
5 Press the one of the DISC DIRECT PLAY buttons to select a disc.

Then, press the numbered buttons and the + 10 button on the remote control to program a track. Example: To select the 10th track of disc 2, press the DISC DIRECT PLAY 2 button, then press the + 10 and 0 buttons.



6 Repeat step 5 for the rest of the tracks for side A. A track whose playing time is longer than the remaining time cannot be programmed.

7 Press the EDIT/CHECK button while pressing the SHIFT button on the remote control to select side B and program the tracks for side B. After confirming B on the display, repeat step 5.



Tape side B (reverse side)

8 Press the EDIT/CHECK button while pressing the SHIFT button to select side A and press the REC button to start recording.

CD play and recording of edited tracks for the first side start simultaneously. When the last track programmed for side A, deck 2 enters the recording stop mode. After entering the recording stop mode, go to step 9.

9 Press the EDIT/CHECK while pressing the SHIFT button on the remote control for recording of the second side. B is displayed.

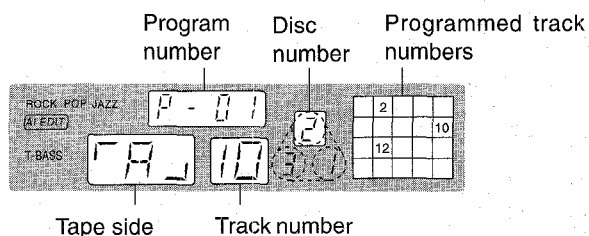
10 Turn over the tape in deck 2 and press the REC button to start recording. Recording starts.

To stop recording

Press the ■ button. Recording and CD play stop simultaneously.

To check the order of the programmed track numbers

Before recording, press the EDIT/CHECK button while pressing the SHIFT button on the remote control to select side A or B, and press the ◀◀ or ▶▶ button repeatedly.



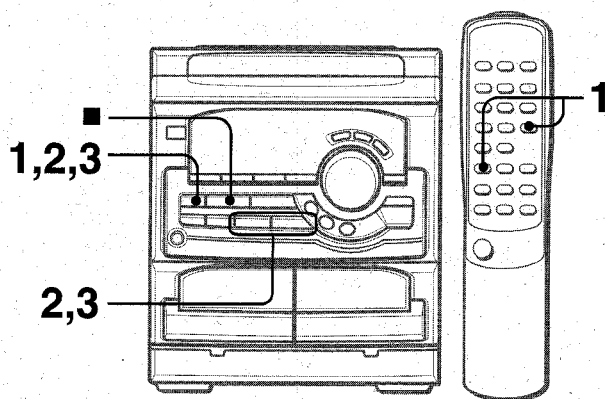
To change the program of each side

Press the EDIT/CHECK button while pressing the SHIFT button on the remote control to select side A or B, and press the ■ CLEAR button to clear the program of the selected side. Then program tracks again.

To clear the edit program

Press the ■ button twice so that red line surrounding "AI EDIT" disappears on the display.

SETTING THE CLOCK



- 1 Press the **CLOCK** button while pressing the **SHIFT** button on the remote control, and press the **SET** button within 4 seconds.



- 2 Press the **DOWN** or **UP** button to designate the hour, and press the **SET** button. The hour stops flashing and the minute starts flashing.
- 3 Press the **DOWN** or **UP** button to designate the minute, and press the **SET** button. The minute stops flashing on the display and the clock starts from 00 seconds.

To display the current time

Press the **CLOCK** button while pressing the **SHIFT** button on the remote control. The time is displayed for 4 seconds. However, the time cannot be displayed during recording.

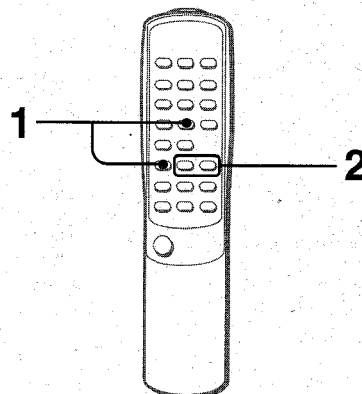
To switch to the 24-hour standard

Press the **CLOCK** button while pressing the **SHIFT** button on the remote control and then press the **■** button within 4 seconds. Repeat the same procedure to restore the 12-hour standard.

If the clock display flashes

This is caused by a power interruption. The current time needs to be reset.
If power is interrupted for more than approximately 24 hours, all settings stored in memory after purchase need to be reset.

SETTING THE SLEEP TIMER



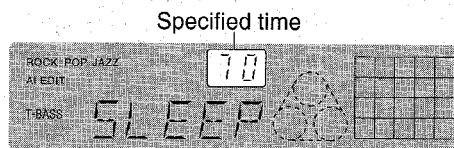
The unit can be turned off automatically at a specified time.

Use the remote control.

- 1 Press the **SLEEP** button while pressing the **SHIFT** button.



- 2 Within 4 seconds, press the **DOWN** or **UP** button to specify the time until the power is turned off. Each time the button is pressed, the time changes between 5 and 240 minutes in 5-minute steps.

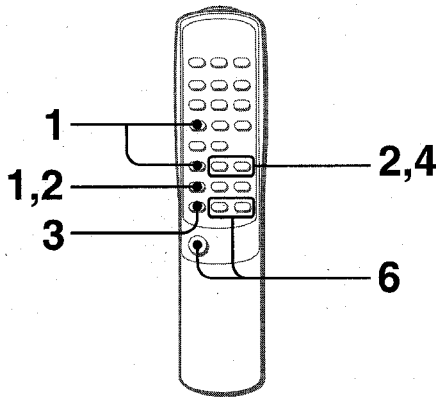


To check the time remaining until the power is turned off
Press the **SLEEP** button once while pressing the **SHIFT** button. The remaining time is displayed for 4 seconds.

To cancel the sleep timer

Press the **SLEEP** button twice while pressing the **SHIFT** button so that "SLEEP" on the display disappears.

SETTING THE TIMER



The unit can be turned on at a specified time every day with the built-in timer.

Preparation

Make sure the clock is set correctly.

Use the remote control.

- 1 Press the TIMER button while pressing the SHIFT button once to display ☉, and press the SET button within 4 seconds.**

☉ is displayed, and the hour flashes.



NOTE

If you press the SET button after 4 seconds, another operation may start.

- 2 Designate the hour of the timer-on time by pressing the DOWN or UP button, and press the SET button. Repeat to designate the minute of the timer-on time.**



After you designate the timer-on time, one of the source name flashes on the display for 4 seconds.

- 3 Within 4 seconds, press the FUNCTION button repeatedly to select a source.**

The selected source name flashes for 4 seconds.

- If this step is not completed within 4 seconds, repeat from step 1.
- If the TUNER button is pressed, the band cannot be selected in this step.

- 4 Within 4 seconds, select the duration for the timer-activated period with the DOWN or UP button.**



The duration for the timer-activated period can be set between 5 and 240 minutes in 5-minute steps.

- If this step is not completed within 4 seconds, repeat from step 1.

- 5 Prepare the source.**

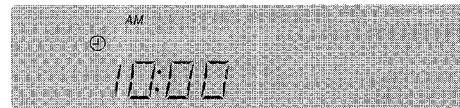
To listen to a CD, load the disc to be played first on tray 1.

To listen to a tape, insert the tape into deck 1 or 2.

To listen to the radio, tune in to a station.

- 6 Press the POWER button to turn the unit off after adjusting the volume and tone.**

☉ remains on the display after the power is turned off (timer standby mode).



When the timer-on time is reached, the unit turns on and begins play with the selected source.

The volume level is automatically set to 16 when the power is turned off with the volume level set to 17 or more.

To check the specified time and source

Press the TIMER button while pressing the SHIFT button. The timer-on time, the selected source name and the duration for the timer-activated period are displayed for 4 seconds.

To cancel timer standby mode temporarily

Press the TIMER button repeatedly while pressing the SHIFT button so that ☉ disappears on the display.

To restore the timer standby mode, press again to display ☉.

Using the unit while the timer is set

You can use the unit normally after setting the timer.

Before turning off the power, carry out step 5 to prepare the source, and adjust the volume and tone.

TIMER RECORDING

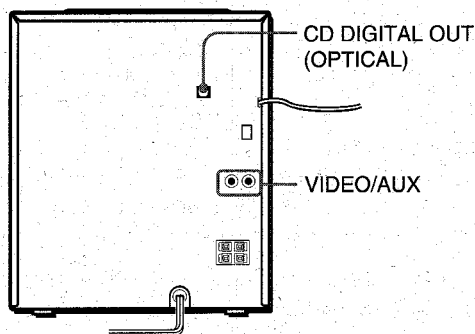
Timer recording is applicable for TUNER and VIDEO/AUX (with an external timer) sources only.

Press the TIMER button repeatedly while pressing the SHIFT button so that ☉ flashes on the display, and press the SET button within 4 seconds. Repeat the steps shown above from step 2 and insert the tape to be recorded into deck 2 after step 5.

NOTE

- Timer playback and timer recording will not begin unless the power is turned off.
- Connected equipment cannot be turned on and off by the built-in timer of this unit. Use an external timer.

CONNECTING OPTIONAL EQUIPMENT



Refer to the operating instructions of the connected equipment for details.

- The connecting cords are not supplied. Obtain the necessary connecting cords.
- Consult your local Aiwa dealer for optional equipment.

VIDEO/AUX JACKS

This unit can input analog sound signals through these jacks. Use a cable with RCA phono plugs to connect audio equipment (turntables, LD players, MD players, VCRs, TV, etc.). Connect the red plug to the R jack, and the white plug to the L jack.

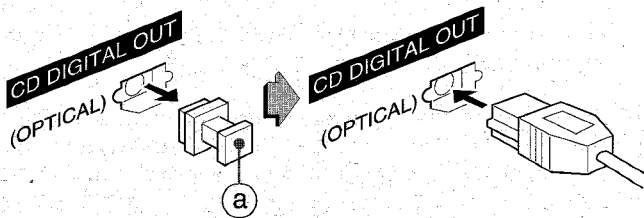
When connecting a turntable

Use an Aiwa turntable equipped with a built-in equalizer amplifier.

CD DIGITAL OUT (OPTICAL) JACK

This unit can output CD digital sound signals through this jack. Use an optical cable to connect digital audio equipment (digital amplifier, DAT deck, MD recorder, etc.).

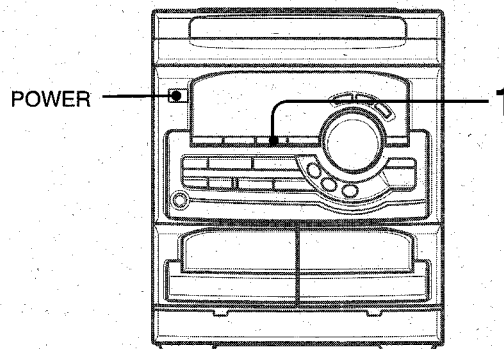
Remove the dust cap (a) from the CD DIGITAL OUT (OPTICAL) jack. Then, connect an optical cable plug to the CD DIGITAL OUT (OPTICAL) jack.



When the CD DIGITAL OUT (OPTICAL) jack is not being used

Attach the supplied dust cap.

LISTENING TO EXTERNAL SOURCES



To play equipment connected to the VIDEO/AUX jacks proceed as follows.

1 Press the VIDEO/AUX button.

VIDEO appears on the display.

2 Play the connected equipment.

To change a source name in the display

When the VIDEO/AUX button is pressed, VIDEO is displayed initially. It can be changed to AUX or TV.

With the power on, press the POWER button while pressing the VIDEO/AUX button.

Repeat the procedure to select one of the names.

CARE AND MAINTENANCE

Occasional care and maintenance of the unit and the software are needed to optimize the performance of your unit.

To clean the cabinet

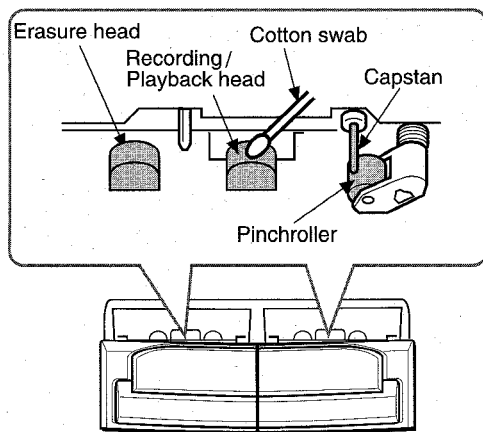
Use a soft and dry cloth.

If the surfaces are extremely dirty, use a soft cloth lightly moistened with mild detergent solution. Do not use strong solvents, such as alcohol, benzene or thinner as these could damage the finish of the unit.

To clean the heads and tape paths

After every 10 hours of use, clean the heads and tape paths with a head cleaning cassette or cotton swab moistened with cleaning fluid or denatured alcohol. (These cleaning kits are commercially available.)

When cleaning with a cotton swab, wipe the recording/playback head (deck 2 only), erasure head (deck 2 only), capstans, and pinchrollers.



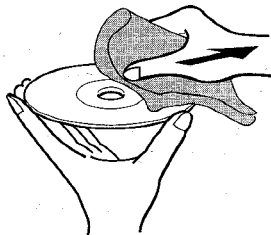
After cleaning the heads and tape paths with a liquid head cleaning cassette or a moistened swab, wait until the cleaned parts are completely dry before inserting the tapes.

To demagnetize the heads

The heads may become magnetized after long-term use. This may narrow the output range of recorded tapes and increase noise. After 20 to 30 hours use, demagnetize the heads with any commercially available demagnetizer.

Care of discs

- When a disc becomes dirty, wipe the disc from the center out with a cleaning cloth.



- After playing a disc, store the disc in its case. Do not leave the disc in places that are hot or humid.

Care of tapes

- Store tapes in their cases after use.
- Do not leave tapes near magnets, motors, television sets, or any source of magnetism. This will downgrade the sound quality and cause noise.
- Do not expose tapes to direct sunlight, or leave them in a car parked in direct sunlight.

TROUBLESHOOTING GUIDE

If the unit fails to perform as described in these Operating Instructions, check the following guide.

GENERAL

There is no sound.

- Is the AC cord connected properly?
- Is there a bad connection? (→ page 3)
- There may be a short circuit in the speaker terminals.
 - Disconnect the AC cord, then correct the speaker connections.
- Was an incorrect function button pressed?

Sound is emitted from one speaker only.

- Is the other speaker disconnected?

An erroneous display or a malfunction occurs.

- Reset the unit as stated below.

TUNER SECTION

There is constant, wave-like static.

- Is the antenna connected properly? (→ page 3)

The reception contains noise interferences or the sound is distorted.

- Is the system picking up external noise or multipath distortion?
 - Change the orientation of the antenna.
 - Move the unit away from other electrical appliances.

CASSETTE DECK SECTION

The tape does not run.

- Is deck 2 in pause mode? (→ page 8)

The sound is off-balance or not adequately high.

- Is the playback head dirty? (→ page 18)

Recording is not possible.

- Is the erasure prevention tab on the tape broken off? (→ page 8)
- Is the recording head dirty? (→ page 18)

Erasure is not possible.

- Is the erasure head dirty? (→ page 18)
- Is a metal tape being used?

High frequency sound is not emitted.

- Is the recording/playback head dirty? (→ page 18)

CD PLAYER SECTION

The CD player does not play.

- Is the disc correctly inserted? (→ page 9)
- Is the disc dirty? (→ page 18)
- Is the lens affected by condensation?
 - Wait approximately one hour and try again.

To reset

If an unusual condition occurs in the display window or the cassette decks, reset the unit as follows.

- 1 Press the POWER button to turn off the power.
- 2 Press the POWER button to turn the power back on while pressing the ■ CLEAR button. Everything stored in memory after purchase is canceled.

If the power cannot be turned off in step 1 because of a malfunction, reset by disconnecting the AC cord, and connect it again. Then repeat step 2.

SPECIFICATIONS

Main unit CX-NA22

FM tuner section

Tuning range	87.5 MHz to 108 MHz
Antenna	Wire antenna

AM tuner section

Tuning range	530 kHz to 1710 kHz (10 kHz step) 531 kHz to 1602 kHz (9 kHz step)
--------------	---

Usable sensitivity	350 μ V/m
Antenna	Loop antenna

Amplifier section

Power output	20 W + 20 W (50 Hz – 20 kHz, THD less than 1%, 6 ohms)
--------------	--

Total harmonic distortion	0.2 % (10 W, 1 kHz, 6 ohms, DIN AUDIO)
---------------------------	--

Inputs	VIDEO/AUX: 400 mV
Outputs	SPEAKERS: accept speakers of 6 ohms or more PHONES (stereo jack): accepts headphones of 32 ohms or more

Cassette deck section

Track format	4 tracks, 2 channels stereo
Frequency response	50 Hz – 10000 Hz
Recording system	AC bias
Heads	Deck 1: Playback head \times 1 Deck 2: Recording/playback head \times 1, erase head \times 1

Compact disc player section

Laser	Semiconductor laser ($\lambda = 780$ nm)
D-A converter	1 bit dual
Signal-to-noise ratio	85 dB (1 kHz, 0 dB)
Harmonic distortion	0.05 % (1 kHz, 0 dB)
Wow and flutter	Unmeasurable

General

Power requirements	120 V AC, 60 Hz
Power consumption	53 W
Dimensions of main unit (W \times H \times D)	260 \times 308.3 \times 350 mm (10 ¹ / ₄ \times 12 ¹ / ₄ \times 13 ⁷ / ₈ in.)
Weight of main unit	4.8 kg (10 lbs 9 oz.)

Speaker system SX-NA22

Cabinet type	2 way, bass reflex (magnetic shielded type)
Speakers	Woofers: 120 mm (4 ³ / ₄ in.) cone type Tweeters: 10 (1 ³ / ₃₂ in.) mm ceramic type
Impedance	6 ohms
Output sound pressure level	87 dB/W/m
Dimensions (W \times H \times D)	240 \times 304 \times 250 mm (9 ¹ / ₂ \times 12 \times 9 ⁷ / ₈ in.)
Weight	2.7 kg (5 lbs 15 oz.)

Specifications and external appearance are subject to change without notice.

COPYRIGHT

Please check the laws on copyright relating to recordings from discs, radio or external tape for the country in which the machine is being used.

NOTE

This equipment has been tested and found to comply with the limits for a Class B digital device, pursuant to Part 15 of the FCC Rules. These limits are designed to provide reasonable protection against harmful interference in a residential installation.

This equipment generates, uses, and can radiate radio frequency energy and, if not installed and used in accordance with the instructions, may cause harmful interference to radio communications. However, there is no guarantee that interference will not occur in a particular installation. If this equipment does cause harmful interference to radio or television reception, which can be determined by turning the equipment off and on, the user is encouraged to try to correct the interference by one or more of the following measures:

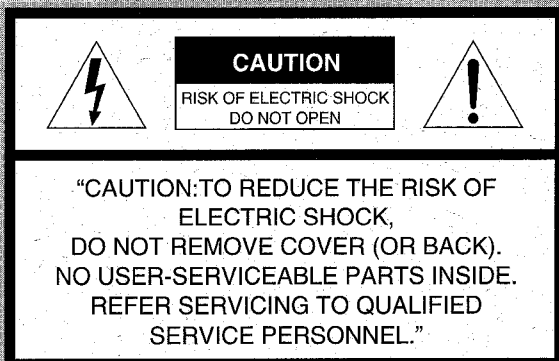
- Reorient or relocate the receiving antenna.
- Increase the separation between the equipment and receiver.
- Connect the equipment into an outlet on circuit different from that to which the receiver is connected.
- Consult the dealer or an experienced radio/TV technician for help.

CAUTION

Modifications or adjustments to this product, which are not expressly approved by the manufacturer, may void the user's right or authority to operate this product.

ADVERTENCIA

PARA REDUCIR EL RIESGO DE INCENDIOS O SACUDIDAS ELECTRICAS, NO EXPONGA ESTE APARATO A LA LLUVIA NI A LA HUMEDAD.



Explicación de los símbolos gráficos:



El símbolo del rayo con punta de flecha, en el interior de un triángulo equilátero, tiene la finalidad de avisar al usuario de la presencia de "tensiones peligrosas" sin aislar en el interior del producto que podrían ser de suficiente magnitud como para constituir un riesgo de sacudida eléctrica para las personas.



El signo de exclamación en el interior de un triángulo equilátero tiene la finalidad de avisar al usuario de la presencia de instrucciones de operación y mantenimiento (reparación) en el material impreso que acompaña al aparato.

Anotación del propietario

Para su conveniencia, anote el número de modelo y el número de serie (los encontrará en el panel trasero de su aparato) en el espacio suministrado más abajo. Mencínelos cuando se ponga en contacto con su concesionario Aiwa en caso de tener dificultades.

N.º de modelo	N.º de serie (N.º de lote)
CX-NA22	
SX-NA22	

PRECAUCIONES

Lea cuidadosa y completamente el manual de instrucciones antes de utilizar la unidad. Asegúrese de guardar el manual de instrucciones para utilizarlo como referencia en el futuro. Todas las advertencias y precauciones del manual de instrucciones y de la unidad deberán cumplirse estrictamente, así como también las sugerencias de seguridad mencionadas más abajo.

Instalación

- 1 Agua y humedad** — No utilice esta unidad cerca de agua como, por ejemplo, cerca de una bañera, una palangana, una piscina o algo similar.
- 2 Calor** — No utilice esta unidad cerca de fuentes de calor, incluyendo salidas de aire caliente, estufas u otros aparatos que generen calor.
No deberá colocarse tampoco en lugares donde la temperatura sea inferior a 5°C o superior a 35°C.
- 3 Superficie de montaje** — Ponga la unidad sobre una superficie plana y nivelada.
- 4 Ventilación** — La unidad deberá situarse donde tenga suficiente espacio libre a su alrededor, para que la ventilación apropiada quede asegurada. Deje un espacio libre de 10 cm por la parte posterior y superior de la unidad, y 5 cm por cada lado.
 - No ponga la unidad sobre una cama, una alfombra o superficies similares que podrían tapar las aberturas de ventilación.
 - No instale la unidad en una librería, mueble o estantería cerrada herméticamente donde la ventilación no sea adecuada.
- 5 Entrada de objetos y líquidos** — Tenga cuidado de que objetos y líquidos no entren en la unidad por las aberturas de ventilación.
- 6 Carros de mano y soportes** — Cuando ponga o monte la unidad en un soporte o carro de mano, ésta deberá moverse con mucho cuidado.
Las paradas repentinas, la fuerza excesiva y las superficies irregulares pueden hacer que la unidad o el carro de mano se dé vuelta o se caiga.
- 7 Condensación** — En la lente del fonocaptor del reproductor de discos compactos tal vez se forme condensación cuando:
 - La unidad se pase de un lugar frío a uno caliente.
 - El sistema de calefacción se acabe de encender.
 - La unidad se utilice en una habitación muy húmeda.
 - La unidad se enfríe mediante un acondicionador de aire.
 Esta unidad tal vez funcione mal cuando tenga condensación en su interior. En este caso, deje en reposo la unidad durante unas pocas horas y repita de nuevo la operación.
- 8 Montaje en pared o techo** — La unidad no se deberá montar en una pared ni en el techo, a menos que se especifique lo contrario en el manual de instrucciones.



Energía eléctrica

- 1 Fuentes de alimentación** — Conecte solamente esta unidad a las fuentes de alimentación especificadas en el manual de instrucciones, y como está marcado en la unidad.
- 2 Polarización** — Como característica de seguridad, algunas unidades están equipadas con clavijas de alimentación de CA polarizadas, las cuales sólo se pueden insertar de una forma en las tomas de corriente. Si resulta difícil o imposible insertar la clavija de alimentación de CA en una toma de corriente, dé vuelta a la clavija e inténtelo de nuevo. Si sigue sin poder insertar fácilmente la clavija en la toma de corriente, llame a un electricista cualificado para que modifique o reemplace la toma de corriente. Para evitar anular la característica de seguridad de la clavija polarizada, no la inserte a la fuerza en una toma de corriente.
- 3 Cable de alimentación de CA**
 - Cuando desconecte el cable de alimentación de CA, sujete la clavija de alimentación de CA y tire de ella. No tire del propio cable.
 - Nunca maneje la clavija de alimentación de CA con las manos mojadas porque podría producirse un incendio o una sacudida eléctrica.
 - Los cables de alimentación deberán colocarse de forma que no sean doblados excesivamente, pellizcados o pisados. Tenga mucho cuidado con el cable que va de la unidad a la toma de corriente.
 - Evite sobrecargar las tomas de CA y los cables de extensión más allá de su capacidad porque esto podría causar un incendio o una sacudida eléctrica.

4 Cable de extensión — Para evitar sacudidas eléctricas, no utilice la clavija de alimentación de CA polarizada con un cable de extensión, ni tampoco en un receptáculo u otra toma de corriente a menos que la clavija polarizada pueda insertarse completamente evitando que sus patillas queden expuestas.

5 Periodos de no utilización — Desenchufe el cable de alimentación de CA de la toma de CA si la unidad no va a ser utilizada durante varios meses o más. Cuando el cable de alimentación esté conectado, por la unidad continuará circulando una pequeña cantidad de corriente, aunque la alimentación esté desconectada.

Daños que necesitan ser reparados

Haga que un técnico en reparaciones cualificado le repare las unidades si:

- El cable de alimentación de CA o su clavija está estropeado.
- Objetos extraños o líquidos han entrado en la unidad.
- La unidad ha estado expuesta a la lluvia o al agua.
- La unidad no parece funcionar normalmente.
- La unidad muestra un cambio considerable en sus prestaciones.
- La unidad se ha caído o la caja se ha estropeado.

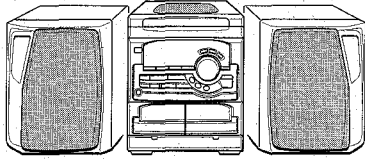
NO TRATE DE REPARAR LA UNIDAD USTED MISMO.

INDICE

PRECAUCIONES	1
PREPARATIVOS	
CONEXIONES	3
CONTROL REMOTO	4
ANTES DE LA OPERACION	5
SONIDO	
AJUSTES DE AUDIO	5
ECUALIZADOR GRAFICO	6
RECEPCION DE LA RADIO	
SINTONIZACION MANUAL	6
PREAJUSTE DE EMISORAS	7
REPRODUCCION DE CINTAS	
OPERACIONES BASICAS	8
REPRODUCCION DE DISCOS COMPACTOS	
OPERACIONES BASICAS	9
REPRODUCCION PROGRAMADA	10
GRABACION	
GRABACION BASICA	11
COPIADO MANUAL DE UNA CINTA	12
COPIADO DE TODA LA CINTA	12
GRABACION CON EDICION AI	13
GRABACION CON EDICION PROGRAMADA	14
RELOJ Y TEMPORIZADOR	
PUESTA EN HORA DEL RELOJ	15
AJUSTE DEL TEMPORIZADOR PARA DORMIR	15
AJUSTE DEL TEMPORIZADOR	16
OTRAS CONEXIONES	
CONEXION DE UN EQUIPO OPCIONAL	17
ESCUCHA DE FUENTES DE SONIDO EXTERNAS	17
GENERALIDADES	
CUIDADOS Y MANTENIMIENTO	18
GUIA PARA LA SOLUCION DE PROBLEMAS	18
ESPECIFICACIONES	19
INDICE DE LAS PARTES	Cubierta trasera

CONEXIONES

Compruebe su sistema y los accesorios

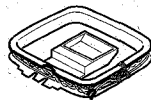


CX-NA22 Sintonizador, amplificador, platina de casete y reproductor de discos compactos estéreo
SX-NA22 Altavoces delanteros

Control remoto



Antena de AM



Manual de instrucciones, etc.

Antes de conectar el cable de alimentación de CA

La tensión nominal de su unidad, mostrada en el panel trasero, es de 120 V CA. Asegúrese de que la tensión nominal coincida con la tensión empleada en su localidad.

IMPORTANTE

Conecte primero los altavoces, las antenas y todos los demás equipos opcionales. Finalmente conecte el cable de alimentación de CA.

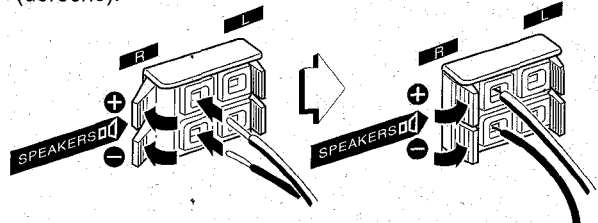
PRECAUCION

No conecte la antena de FM al terminal de antena exterior de la pared, porque esto podría causar una sacudida.

1 Conecte los altavoces derecho e izquierdo a la unidad principal.

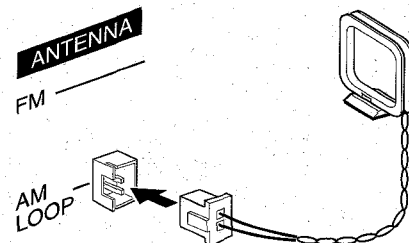
Conecte el cable del altavoz derecho a los terminales SPEAKERS R, y el cable del altavoz izquierdo a los terminales SPEAKERS L.

No existen diferencias entre los altavoces delanteros. Ambos podrán ser conectados como altavoz L (izquierdo) o R (derecho).



El cable de altavoz con la franja blanca deberá conectarse al terminal +, y el cable negro al terminal -.

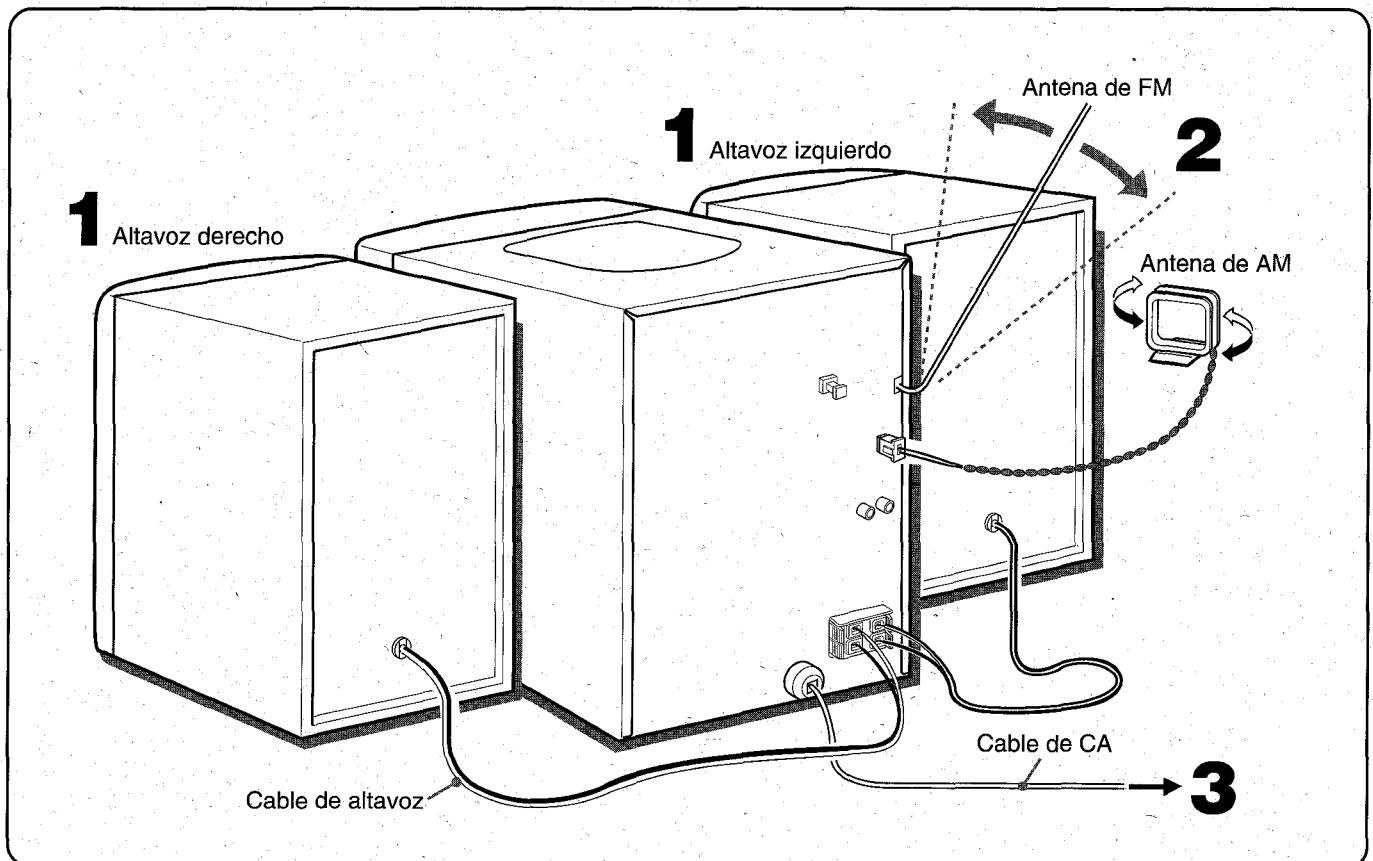
2 Conecte la antena de AM suministrada al terminal AM LOOP.



3 Conecte el cable de alimentación de CA a una toma de CA.

NOTA

Cuando se conecte el cable de alimentación de CA puede que todos los caracteres se enciendan en el visualizador. En este caso, desconecte el cable de alimentación de CA y luego vuelva a conectarlo.



Para posicionar las antenas

Antena de FM:

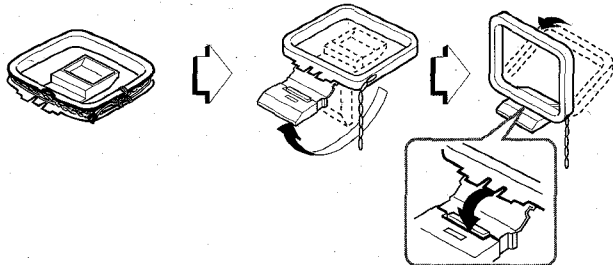
Extiéndala completamente y fije su extremo en la pared.

Antena de AM:

Póngala en la mejor dirección.

Para poner la antena de AM en posición vertical sobre una superficie

Fije el gancho en la ranura.



NOTA

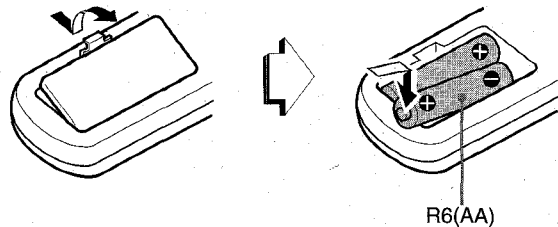
- Asegúrese de conectar correctamente los cables de los altavoces. Las conexiones mal hechas podrían causar cortocircuitos en los terminales SPEAKERS.
- No deje objetos que generen magnetismo cerca de los altavoces porque podrían estropearse.
- No ponga la antena de FM cerca de objetos metálicos o rieles de cortinas.
- No ponga la antena de AM cerca de otros equipos opcionales, el propio sistema estéreo, el cable de alimentación de CA o los cables de los altavoces, porque se captarán ruidos.
- No desbobine el cable de la antena de AM.

Para conectar otro equipo opcional → página 17.

CONTROL REMOTO

Inserción de las pilas

Quite la tapa de las pilas, ubicada en la parte trasera del control remoto, e inserte dos pilas R6 (tamaño AA).



Cuándo reemplazar las pilas

La distancia máxima de operación entre el control remoto y el sensor de señales de la unidad principal deberá ser de 5 metros aproximadamente. Cuando disminuya esta distancia, reemplace las pilas por otras nuevas.

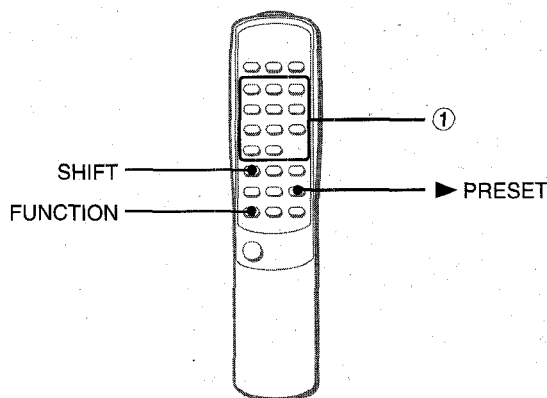
Para utilizar el botón SHIFT del control remoto

Los botones ① tienen dos funciones diferentes. Una de estas funciones se indica en el botón, y la otra en la placa situada encima del botón.

Para utilizar la función del botón, pulse simplemente el botón. Para utilizar la función de la placa situada encima del botón, pulse el botón mientras pulsa el botón SHIFT.

Para utilizar el botón FUNCTION del control remoto

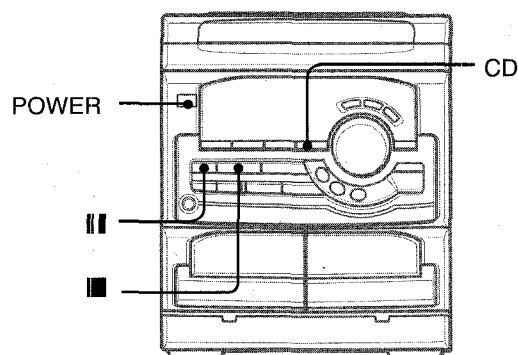
El botón FUNCTION sustituye a los botones de función (TAPE/DECK 1/2, TUNER, VIDEO/AUX y CD) de la unidad principal. Cada vez que se pulse el botón FUNCTION, la siguiente función se seleccionará cíclicamente. Cuando haya cintas insertadas en ambas platinas, ambas platinas se seleccionarán con el botón FUNCTION.



NOTA

- Si la unidad no va a ser utilizada durante mucho tiempo, quite las pilas para evitar las posibles fugas de electrolito.
- El control remoto quizá no funcione correctamente cuando:
 - La línea de visión entre el control remoto y el sensor de señales del interior del visualizador esté expuesta a una luz intensa como, por ejemplo, la luz del sol.
 - Otros controles remotos (los de un televisor, etc.) estén siendo utilizados cerca de esta unidad.

ANTES DE LA OPERACION



Para encender la unidad

Pulse uno de los botones de función (TAPE, TUNER, VIDEO/AUX, CD).

La reproducción de la cinta o del disco insertado empezará o se recibirá la emisora previamente sintonizada (función de reproducción directa).

También podrá utilizarse el botón POWER.

Cuando se encienda la unidad, el compartimiento de los discos tal vez se abra y se cierre para reponer la unidad.

Modo de demostración (DEMO)

Cuando se conecte el cable de alimentación de CA, el visualizador mostrará las funciones de la unidad. Cuando se conecte la alimentación, la visualización DEMO será anulada por la visualización de operación. Cuando se desconecte la alimentación, el modo DEMO se repondrá.

Para cancelar el modo DEMO

Pulse el botón **||** SET estando desconectada la alimentación. El reloj parpadeará en el visualizador. (Para poner la hora actual, consulte "PUESTA EN HORA DEL RELOJ" en la página 15. Para volver a activar el modo DEMO, pulse el botón **▶** estando desconectada la alimentación.

Ventanilla parpadeante

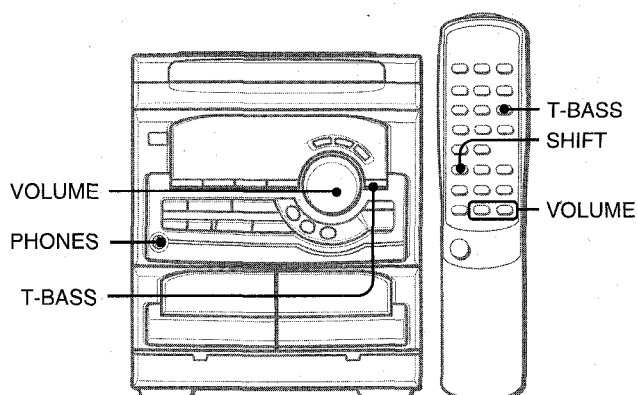
La ventanilla de la parte superior de la unidad se encenderá o parpadeará mientras la alimentación esté conectada.

Para apagar la luz de la ventanilla superior, pulse el botón CD mientras pulsa el botón **■**. Para volver a encenderla, repita el procedimiento seguido para apagarla.

Para apagar la unidad

Pulse el botón POWER.

AJUSTES DE AUDIO



CONTROL DE VOLUMEN

Gire el control **VOLUME** de la unidad principal o pulse los botones **VOLUME** del control remoto.

El nivel de sonido se visualiza mediante un número del 0 al 31 (MAX).

El nivel de sonido se ajusta automáticamente a 16 cuando se desconecta la alimentación estando el nivel ajustado en 17 o más.

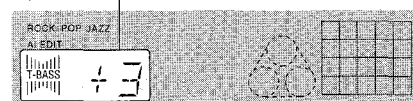
SISTEMA SUPER T-BASS

El sistema T-BASS realza el realismo del sonido de baja frecuencia.

Pulse el botón T-BASS.

Cada vez que lo pulse, el nivel cambiará. Seleccione uno de los tres niveles o la posición de apagado, lo que usted prefiera.

➔ +1 ➔ +2 ➔ +3 ➔ OFF (cancelación)



Para seleccionar con el control remoto

Pulse el botón T-BASS mientras pulsa el botón SHIFT.

NOTA

El sonido de baja frecuencia tal vez se distorsione cuando se utilice el sistema T-BASS con un disco o una cinta cuyo sonido de baja frecuencia haya sido realzado originalmente. En este caso, cancele el sistema T-BASS.

Utilización de auriculares

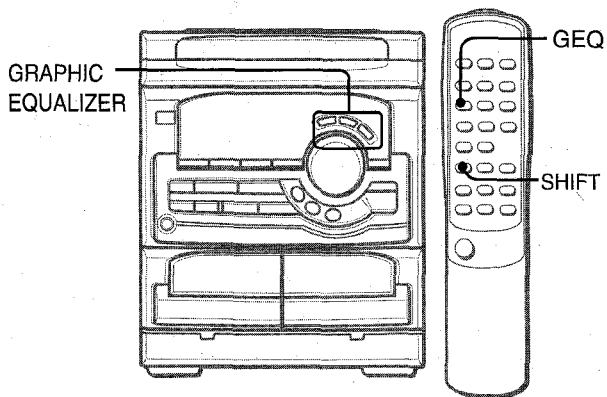
Conecte auriculares con clavija estéreo estándar (6,3 mm ø) a la toma PHONES.

Mientras los auriculares estén conectados no saldrá sonido de los altavoces.

Ajuste del sonido durante la grabación

El volumen de salida y el tono de los altavoces o de los auriculares podrá cambiarse libremente sin afectar en absoluto al nivel de la grabación.

ECUALIZADOR GRAFICO



Esta unidad ofrece las tres curvas de ecualización diferentes siguientes:

- ROCK:** Sonido potente que realza los agudos y los graves.
- POP:** Más presencia en las voces y en la gama de registro medio.
- JAZZ:** Frecuencias bajas acentuadas para la música tipo jazz.

Pulse uno de los botones del GRAPHIC EQUALIZER.

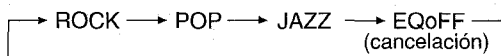


Para cancelar el modo seleccionado

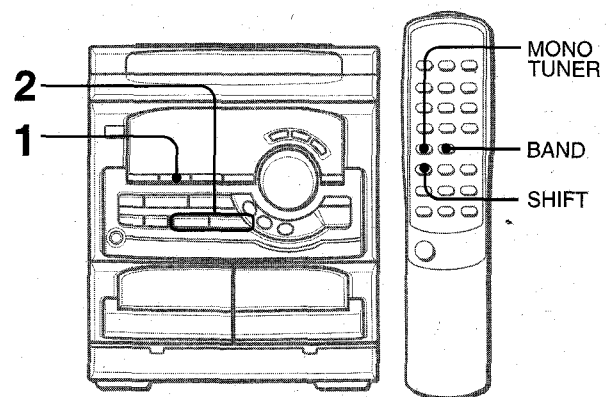
Pulse de nuevo el botón seleccionado. Se visualizará "EQ OFF".

Para seleccionar con el control remoto

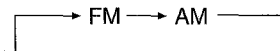
Pulse repetidamente el botón GEQ mientras pulsa el botón SHIFT. El modo GEQ se visualizará cíclicamente de la forma siguiente.



SINTONIZACION MANUAL



1 Pulse repetidamente el botón TUNER/BAND para seleccionar la banda deseada.

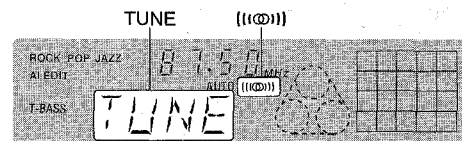


Quando se pulse el botón TUNER/BAND mientras la alimentación esté desconectada, la alimentación se conectará directamente.

Para seleccionar una banda con el control remoto
Pulse el botón BAND mientras pulsa el botón SHIFT.

2 Pulse el botón ◀◀ DOWN o ▶▶ UP para seleccionar una emisora.

Cada vez que pulse el botón, la frecuencia cambiará. Cuando se reciba una emisora, "TUNE" se visualizará durante 2 segundos. Durante la recepción estéreo por FM se visualizará ((◁▷)).



Para buscar rápidamente una emisora (búsqueda automática)

Mantenga pulsado el botón ◀◀ DOWN o ▶▶ UP hasta que el sintonizador empiece a buscar una emisora. Después de sintonizar una emisora, la búsqueda parará.

Para detener manualmente la búsqueda automática, pulse el botón ◀◀ DOWN o ▶▶ UP.

- La búsqueda automática quizá no pare en estaciones cuyas señales sean muy débiles.

Quando una radiodifusión estéreo por FM tenga ruido

Pulse el botón MONO TUNER mientras pulsa el botón SHIFT del control remoto para que "AUTO" desaparezca del visualizador. El ruido se reducirá, pero la recepción será mono.

Para reponer la recepción estéreo, pulse el botón para que aparezca "AUTO".

Para cambiar el intervalo de sintonización de AM

El ajuste por omisión del intervalo de sintonización de AM es de 10 kHz/paso. Si utiliza esta unidad en una zona donde el sistema de asignación de frecuencias sea de 9 kHz/paso, cambie el intervalo de sintonización.

Pulse el botón POWER mientras pulsa el botón TUNER/BAND. Para reponer el intervalo, repita este procedimiento.

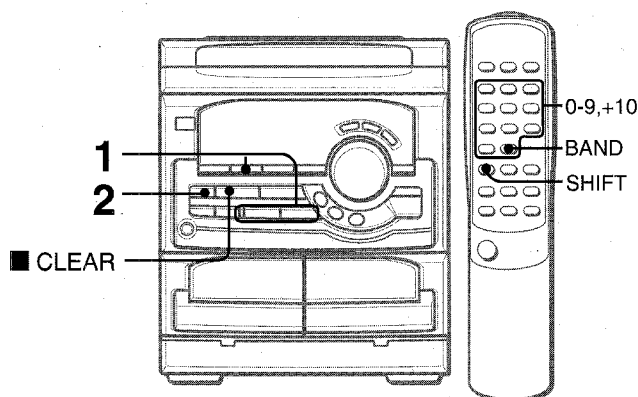
NOTA

Quando se cambie el intervalo de sintonización de AM, todas las emisoras preajustadas se borrarán. Las emisoras preajustadas tendrán que ajustarse de nuevo.

PREPARATIVOS/SONIDO RECEPCION DE LA RADIO

E

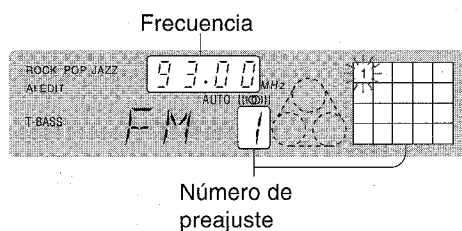
PREAJUSTE DE EMISORAS



Esta unidad puede almacenar un total de 32 emisoras. (Cada banda tiene un máximo de 20 emisoras de preajuste disponibles.) Cuando almacene una emisora, a esa emisora se le asignará un número de preajuste. Utilice el número de preajuste para sintonizar directamente una emisora preajustada.

1 Pulse el botón TUNER/BAND para seleccionar una banda, y pulse el botón ◀◀ DOWN o ▶▶ UP para seleccionar una emisora.

2 Pulse el botón || SET para almacenar la emisora.
A las emisoras de cada banda se les asigna un número de preajuste en orden consecutivo empezando por el 1.



3 Repita los pasos 1 y 2.

La siguiente emisora no se almacenará si ya se ha almacenado un total de 32 emisoras de preajuste de todas las bandas o un total de 20 emisoras de preajuste de una banda.

SINTONIZACION MEDIANTE NUMERO DE PREAJUSTE

Utilice el control remoto para seleccionar directamente el número de preajuste.

1 Pulse el botón BAND mientras pulsa el botón SHIFT para seleccionar una banda.

2 Pulse los botones numerados para seleccionar un número de preajuste.

Ejemplo:

Para seleccionar el número de preajuste 20, pulse los botones +10, +10 y 0.

Para seleccionar el número de preajuste 15, pulse los botones +10 y 5.

Selección de un número de preajuste en la unidad principal

Pulse el botón TUNER/BAND para seleccionar una banda. Luego, pulse repetidamente el botón ▶ PRESET.

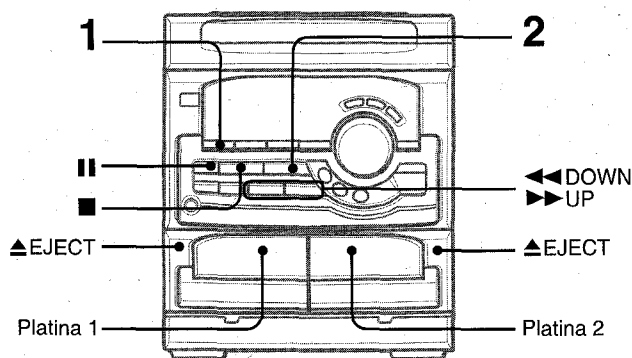
Cada vez que pulse el botón se seleccionará el siguiente número más alto.

Para borrar una emisora preajustada

Seleccione el número de preajuste de la emisora que vaya a borrar. Luego, pulse el botón ■ CLEAR, y pulse el botón || SET antes de que pasen 4 segundos.

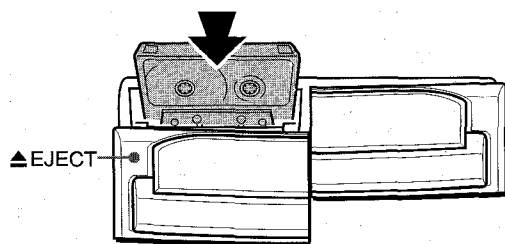
Los números de preajuste superiores de todas las demás emisoras de la banda disminuirán también en uno.

OPERACIONES BASICAS



Utilice solamente cintas tipo I (normales)

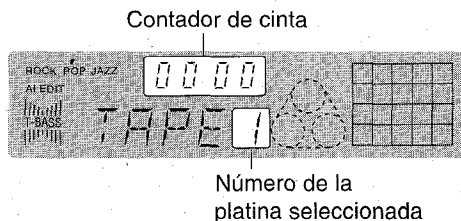
1 Pulse el botón TAPE y la marca ▲ EJECT para abrir el portacasete.



Inserte una cinta con el lado expuesto hacia abajo. Empuje el portacasete para cerrarlo.

2 Pulse el botón ► para iniciar la reproducción.

Sólo la cara que queda hacia afuera de la unidad puede ser reproducida.



Para seleccionar una platina de reproducción

Cuando haya cintas introducidas en ambas platinas, pulse primero el botón TAPE para seleccionar una platina. El número de la platina seleccionada se visualizará.

Para detener la reproducción, pulse el botón ■.

Para hacer una pausa en la reproducción (platina 2 solamente), pulse el botón II. Para reanudar la reproducción, púlselo otra vez.

Para avanzar rápidamente o rebobinar, pulse el botón ◀◀ o ▶▶. Luego pulse el botón ■ para detener la cinta.

Para iniciar la reproducción cuando la alimentación esté desconectada (función de reproducción directa)

Pulse el botón TAPE. La alimentación se conectará y la reproducción de la cinta insertada empezará.

Para poner el contador de cinta a 0000

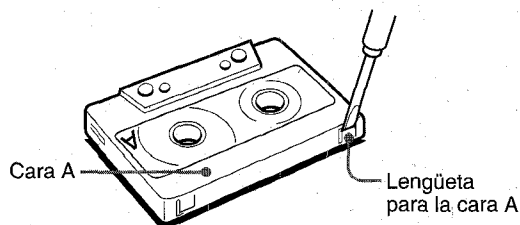
Pulse el botón ■ CLEAR en el modo de parada. El contador también se pone a 0000 cuando se abre el portacasete.

Cuando haya cintas introducidas en ambas platinas

Después de terminar la reproducción en la platina 1, la cinta de la platina 2 empezará a reproducirse sin interrupción y se parará al final de la cinta. (Reproducción continua)

Acerca de las cintas de cassette

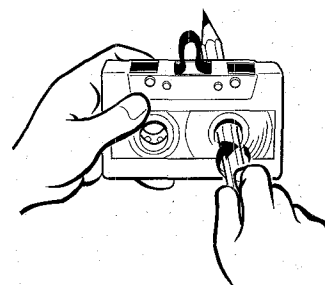
• Para evitar el borrado accidental, rompa con un destornillador u otra herramienta puntiaguda las lengüetas de plástico del cassette después de grabar.



Para volver a grabar en una cinta, tape las aberturas con cinta adhesiva, etc.

• Las cintas de 120 minutos o más son extremadamente finas y se deforman o estropean fácilmente. No son recomendadas.

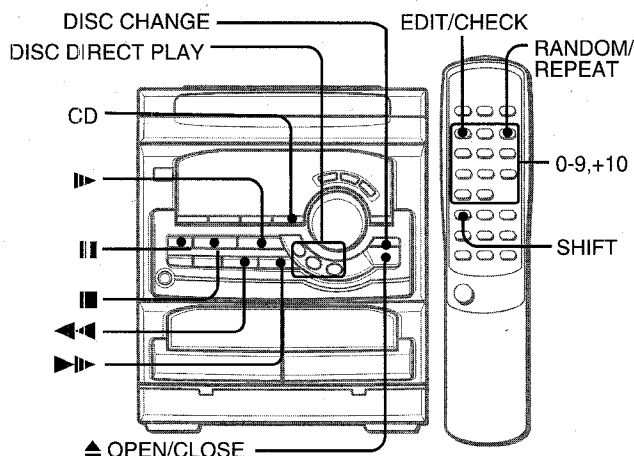
• Tense la cinta con un lapicero o herramienta similar antes de utilizarla. La cinta floja podrá romperse o atascarse en el mecanismo.



RECEPCION DE LA RADIO
REPRODUCCION DE CINTAS

E

OPERACIONES BASICAS



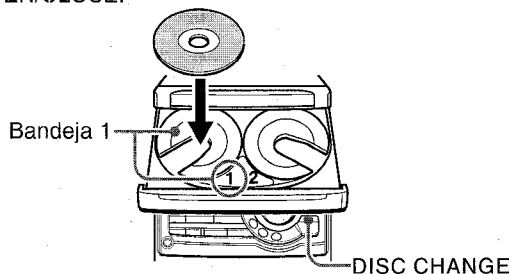
INTRODUCCION DE DISCOS

Pulse el botón CD, y luego pulse el botón ▲ OPEN/CLOSE para abrir el compartimiento de los discos. Introduzca el(los) disco(s) con el lado de la etiqueta hacia arriba.

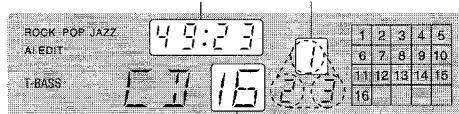
Para reproducir uno o dos discos, ponga los discos en las bandejas 1 y 2.

Para reproducir tres discos, pulse el botón DISC CHANGE para hacer girar las bandejas después de colocar dos discos. Ponga luego el tercer disco en la bandeja 3.

Cierre el compartimiento de los discos pulsando el botón ▲ OPEN/CLOSE.



Tiempo de reproducción total Número de la bandeja del disco que va a ser reproducido.



Número total de canciones

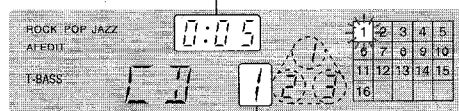
REPRODUCCION DE DISCOS

Introduzca los discos.

Para reproducir todos los discos del compartimiento, pulse el botón ►.

La reproducción empezará por el disco de la bandeja 1.

Tiempo de reproducción transcurrido



Número de la canción que está siendo reproducida

Para reproducir un disco solamente, pulse uno de los botones DISC DIRECT PLAY.

El disco seleccionado se reproducirá una vez.

Para detener la reproducción, pulse el botón ■.

Para hacer una pausa en la reproducción, pulse el botón II. Para reanudar la reproducción, púselo de nuevo.

Para buscar un punto particular durante la reproducción, mantenga pulsado el botón ◀◀ o ▶▶ y suéltelo en el punto deseado.

Para saltar hasta el principio de una canción durante la reproducción, pulse repetidamente el botón ◀◀ o ▶▶.

Para quitar los discos, pulse el botón ▲ OPEN/CLOSE.

Para iniciar la reproducción cuando la alimentación esté desconectada (función de reproducción directa)

Pulse el botón CD. La alimentación se conectará y la reproducción del(de) disco(s) introducido(s) empezará.

La alimentación se conectará también cuando se pulse el botón ▲ OPEN/CLOSE

Para comprobar el tiempo restante

Durante la reproducción, pulse el botón EDIT/CHECK del control remoto mientras pulsa el botón SHIFT. El tiempo restante hasta que todas las canciones terminen de reproducirse se visualizará. Para reponer la visualización del tiempo de reproducción, repita este procedimiento.

Selección de una canción con el control remoto

1 Pulse uno de los botones DISC DIRECT PLAY para seleccionar un disco.

2 Pulse los botones numerados y el botón +10 para seleccionar una canción.

Ejemplo:

Para seleccionar la canción número 25, pulse los botones +10, +10 y 5.

Para seleccionar la canción número 10, pulse los botones +10 y 0.

La canción seleccionada empezará a reproducirse y la reproducción continuará hasta que termine el disco.

Reemplazo de discos durante la reproducción

Mientras se reproduzca un disco, los otros discos podrán reemplazarse sin interrumpir la reproducción.

1 Pulse el botón DISC CHANGE.

2 Quite los discos y ponga otros.

3 Pulse el botón ▲ OPEN/CLOSE para cerrar el compartimiento de los discos.

NOTA

- Cuando introduzca un disco de 8 cm, póngalo en el círculo interior de la bandeja.
- No ponga más de un disco compacto en una misma bandeja.
- No incline la unidad habiendo discos introducidos. Hacer esto podría causar averías.

REPRODUCCION ALEATORIA/ REPETICION DE REPRODUCCION

Utilice el control remoto.

Reproducción aleatoria

Todas las canciones del disco seleccionado o de todos los discos podrán reproducirse aleatoriamente.


Repetición de reproducción


Un solo disco o todos ellos podrán reproducirse repetidamente.

Pulse el botón RANDOM/REPEAT mientras pulsa el botón SHIFT.

Cada vez que lo pulse, la función podrá ser seleccionada cíclicamente.

Reproducción aleatoria — RANDOM se enciende en el visualizador.

Repetición de reproducción —  se enciende en el visualizador.

Reproducción aleatoria/repetición de reproducción — RANDOM y  se encienden en el visualizador.


Cancelación — RANDOM y  desaparecen del visualizador.

Para reproducir todos los discos pulse el botón  para iniciar la reproducción.

Para reproducir un solo disco pulse uno de los botones DISC DIRECT PLAY para iniciar la reproducción.

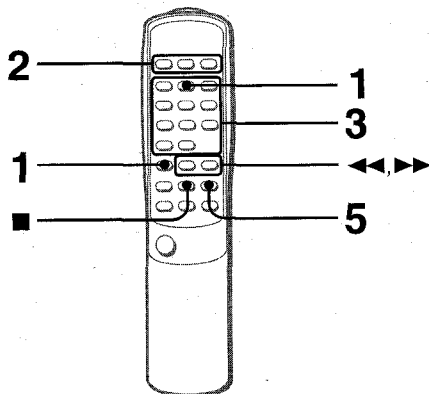
NOTA

Durante la reproducción aleatoria, no será posible realizar las operaciones siguientes:

- Seleccionar directamente las canciones con los botones numerados.
- Saltar a la canción previamente reproducida con el botón .

REPRODUCCION PROGRAMADA

Se podrá programar un máximo de 30 canciones de cualquiera de los discos introducidos.



Utilice el control remoto.

1 Pulse el botón PRGM mientras pulsa el botón SHIFT estando en el modo de parada.

El indicador PGM se visualiza.



2 Pulse uno de los botones DISC DIRECT PLAY para seleccionar un disco.

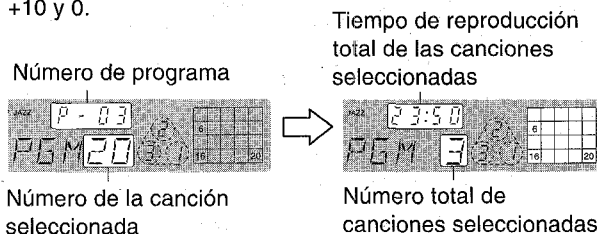
El disco seleccionado se indica en rojo en el visualizador. Vaya al paso siguiente cuando la bandeja deje de girar.

3 Pulse los botones numerados y el botón +10 para programar una canción.

Ejemplo:

Para seleccionar la canción número 25, pulse los botones +10, +10 y 5.



Para seleccionar la canción número 10, pulse los botones +10 y 0.



4 Repita los pasos 2 y 3 para programar otras canciones.

5 Pulse el botón para iniciar la reproducción.

Para comprobar el programa

Cada vez que se pulse el botón  o  en el modo de parada se visualizará un número de disco, un número de canción y un número de programa.

Para borrar el programa

Pulse el botón  CLEAR en el modo de parada.


Para añadir canciones al programa

Repita los pasos 2 y 3 en el modo de parada. La canción se programará después de la última canción programada.

Para cambiar las canciones programadas

Borre el programa y repita todos los pasos de programación.

Para reproducir repetidamente las canciones programadas

Después de programar las canciones, pulse repetidamente el botón RANDOM/REPEAT hasta que  aparezca en el visualizador.

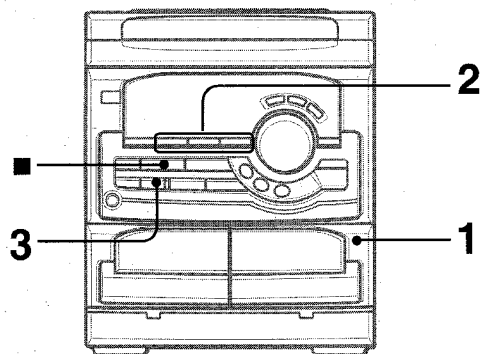
NOTA

Durante la reproducción programada, usted no podrá realizar la reproducción aleatoria, comprobar el tiempo restante ni seleccionar un disco o canción.

E

GRABACION BASICA

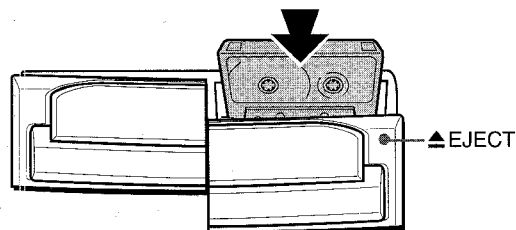
Esta sección explica cómo grabar del sintonizador, del reproductor de discos compactos o de equipos exteriores.



Preparación

- Utilice solamente cintas tipo I (normales)
- Bobine la cinta hasta el punto donde vaya a empezar la grabación.
- Tenga en cuenta que la grabación solo se realiza en una cara de la cinta.

- 1 **Inserte la cinta que vaya a grabar en la platina 2.** Inserte la cinta con la cara que vaya a grabar en primer lugar hacia afuera de la unidad.



- 2 **Pulse uno de los botones de función y prepare la fuente de sonido de la que vaya a grabar.**

Para grabar de un disco compacto, pulse el botón CD e introduzca el(los) disco(s).

Para grabar una radiodifusión, pulse el botón TUNER y sintonice la emisora.

Para grabar de una fuente de sonido conectada, pulse el botón VIDEO/AUX y active la reproducción.

- 3 **Pulse el botón ● REC para iniciar la grabación.** Cuando la función seleccionada sea CD, la reproducción y la grabación empezarán simultáneamente.

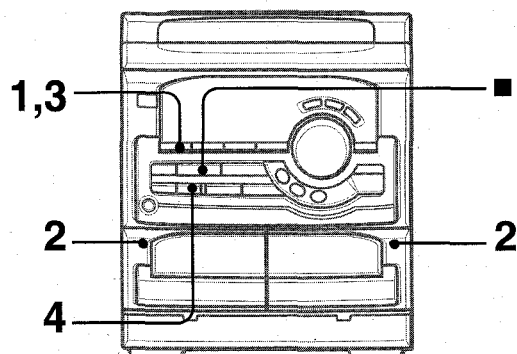
Para detener la grabación, pulse el botón ■.

Para hacer una pausa en la grabación, pulse el botón II. (Puede aplicarse cuando la fuente de sonido sea TUNER, VIDEO/AUX.) Para reanudar la grabación, pulse de nuevo el botón.

Para borrar una grabación

- 1 Inserte la cinta que vaya a borrar en la platina 2 y pulse el botón TAPE/DECK 1/2 para visualizar "TAPE 2".
- 2 Ponga la cinta en el punto donde vaya a empezar a borrar.
- 3 Pulse el botón ● REC para iniciar el borrado.

COPIADO MANUAL DE UNA CINTA



NOTA

- Ponga la cinta en el punto donde vaya a empezar la grabación.
- Tenga en cuenta que la grabación se hará en una cara de la cinta solamente.

1 Pulse el botón TAPE.

2 Inserte la cinta original en la platina 1 y la cinta que vaya a grabar en la platina 2.

Inserte las cintas con las caras que vaya a reproducir o grabar hacia afuera de la unidad.

3 Pulse el botón TAPE/DECK 1/2 para seleccionar la platina 1.

Se visualiza "TAPE 1".

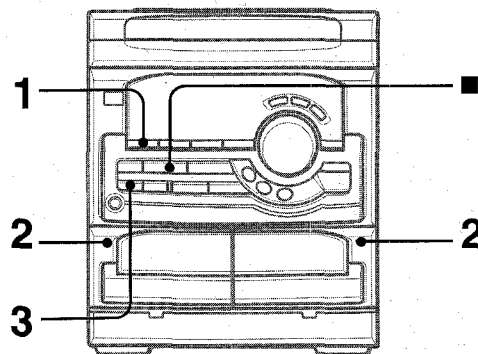
4 Pulse el botón ● REC para iniciar la grabación.

La reproducción y la grabación empezarán simultáneamente.

Para detener el copiado

Pulse el botón ■.

COPIADO DE TODA LA CINTA



Esta función le permitirá hacer copias exactas de ambas caras de la cinta original.

NOTA

- La copia no empieza desde un punto ubicado en medio de la cinta.
- Tenga en cuenta que la grabación se realizará en una cara de la cinta solamente.

1 Pulse el botón TAPE.

2 Inserte la cinta original en la platina 1 y la cinta que vaya a grabar en la platina 2.

Inserte cada cinta con la cara que vaya a ser reproducida o grabada hacia afuera de la unidad.

3 Pulse el botón SYNC DUB para iniciar la grabación.

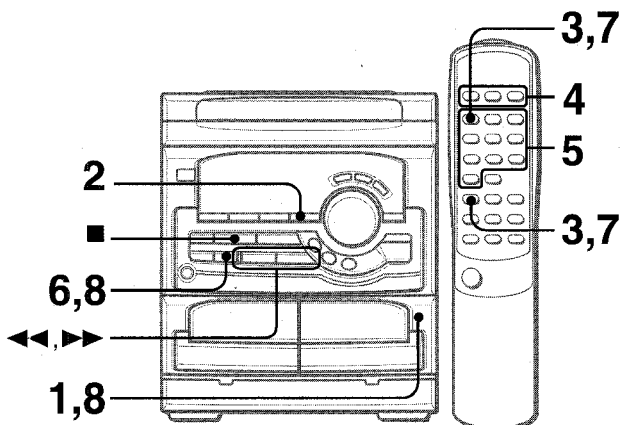


Las cintas se rebobinarán hasta el principio de las caras delanteras y empezará la grabación.

Para detener el copiado

Pulse el botón ■.

GRABACION CON EDICION AI



La función de edición AI permite grabar discos compactos sin preocuparse de la duración de la cinta y de las canciones. Cuando se inserte un disco compacto, la unidad calculará automáticamente la duración total de las canciones. En caso de ser necesario, el orden de las canciones se cambiará para que ninguna canción quede cortada.
(AI: Inteligencia Artificial)

NOTA

La grabación con edición AI no empezará desde un punto que se encuentre en medio de la cinta. La cinta deberá grabarse desde el principio de cada cara.

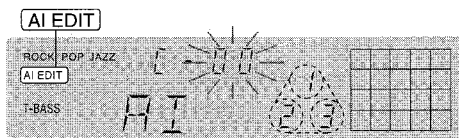
1 Inserte la cinta en la platina 2.

Inserte la cinta con la cara que vaya a grabar en primer lugar hacia afuera de la unidad.

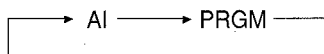
2 Pulse el botón CD e introduzca el(los) disco(s).

3 Pulse una vez el botón EDIT/CHECK mientras pulsa el botón SHIFT del control remoto.

"AI EDIT" será rodeado en rojo y se visualizará AI.



Cada vez que lo pulse, la visualización cambiará de la forma siguiente:



4 Pulse uno de los botones DISC DIRECT PLAY para seleccionar un disco.

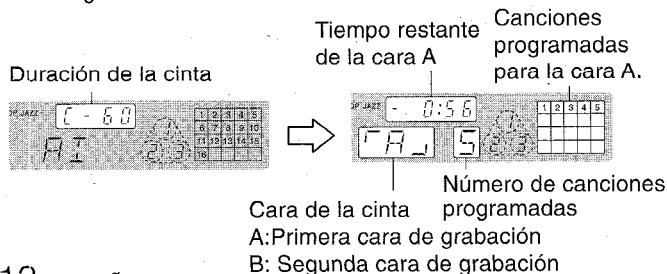
5 Pulse los botones numerados del control remoto para designar la duración de la cinta.

Se puede especificar una duración de 10 a 99 minutos.

Ejemplo: Cuando utilice una cinta de 60 minutos, pulse los botones 6 y 0.

En unos pocos segundos, el microprocesador programará las canciones que vayan a ser grabadas en cada cara de la cinta.

• Los botones ◀◀ y ▶▶ también se pueden utilizar para designar la duración de la cinta.



6 Pulse el botón ● REC para iniciar la grabación de la primera cara.

La cinta se rebobinará hasta el principio de la primera cara, el segmento guía avanzará durante 10 segundos y la grabación empezará. Cuando termine de grabarse la última canción programada para la cara A la platina 2 se pondrá en el modo de parada de grabación. Después de entrar en el modo de parada de grabación, vaya al paso 7.

7 Pulse el botón EDIT/CHECK mientras pulsa el botón SHIFT del control remoto para visualizar el programa para la segunda grabación.

Se visualiza B.

8 Dé la vuelta a la cinta de la platina 2 y pulse el botón ● REC para iniciar la grabación de la segunda cara.

Para detener la grabación

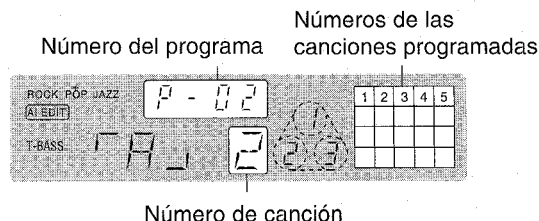
Pulse el botón ■. La grabación y la reproducción del disco compacto pararán simultáneamente.

Para borrar el programa de edición

Pulse el botón ■ CLEAR dos veces para que la línea roja que rodea a "AI EDIT" desaparezca del visualizador.

Para comprobar el orden de los números de las canciones programadas

Antes de grabar, pulse el botón EDIT/CHECK mientras pulsa el botón SHIFT del control remoto para seleccionar la cara A o la B, y pulse repetidamente el botón ◀◀ o ▶▶.



Para añadir canciones de otros discos a un programa de edición

Si queda tiempo en la cinta después del paso 5, usted podrá añadir canciones de otros discos que se encuentren en el compartimiento de los discos compactos.

1 Pulse el botón EDIT/CHECK mientras pulsa el botón SHIFT del control remoto para seleccionar la cara A o la B.

2 Pulse uno de los botones DISC DIRECT PLAY para seleccionar un disco.

3 Pulse los botones numerados del control remoto para seleccionar canciones.

Una canción cuyo tiempo de reproducción sea superior al tiempo restante no podrá ser programada.

4 Repita los pasos 2 y 3 para añadir más canciones.

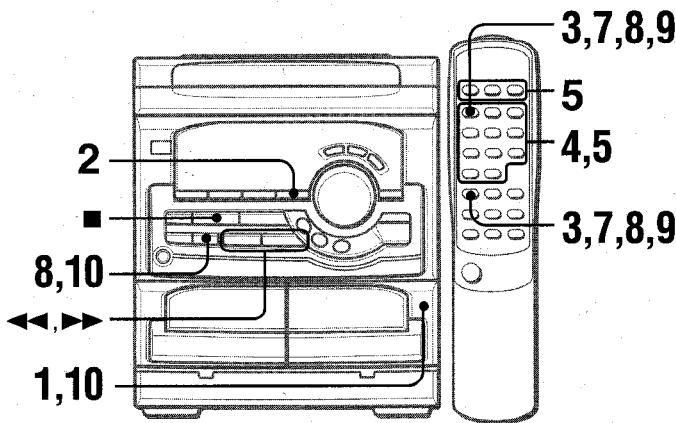
Tiempo de las cintas de casete y tiempo de edición

El tiempo real de grabación de los casetes es por lo general un poco más largo que el tiempo de grabación especificado en sus etiquetas. Esta unidad puede programar canciones para utilizar ese tiempo extra. Cuando el tiempo total de grabación sea un poco más largo que el tiempo de grabación especificado en el casete, después de la edición, el visualizador mostrará el tiempo extra (sin un signo menos) en lugar del tiempo restante de la cinta (con el signo menos).

NOTA

La función de edición AI no se podrá utilizar con discos que tengan 31 canciones o más.

GRABACION CON EDICION PROGRAMADA



La función de edición programada permite grabar discos compactos mientras se comprueba el tiempo restante de cada cara de la cinta según se programan las canciones.

NOTA

La grabación con edición programada no empezará desde un punto ubicado en medio de la cinta. La cinta deberá grabarse desde el principio de una de las caras.

1 Inserte la cinta en la platina 2.

Inserte la cinta con la cara que vaya a grabar en primer lugar hacia afuera de la unidad.

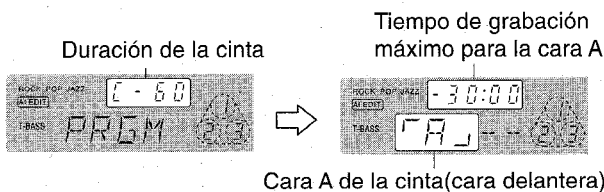
2 Pulse el botón CD e introduzca el(los) disco(s).

3 Pulse dos veces el botón EDIT/CHECK mientras pulsa el botón SHIFT del control remoto.

"AI EDIT" será rodeado en rojo y se visualizará PRGM.

4 Pulse los botones numerados del control remoto para designar la duración de la cinta.

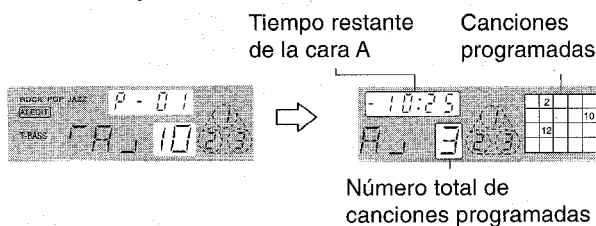
Se puede especificar una duración de 10 a 99 minutos.



5 Pulse uno de los botones DISC DIRECT PLAY para seleccionar un disco.

Luego, pulse los botones numerados y el botón +10 del control remoto para programar una canción.

Ejemplo: Para seleccionar la canción número 10 del disco 2, pulse el botón DISC DIRECT PLAY 2, y luego pulse los botones +10 y 0.

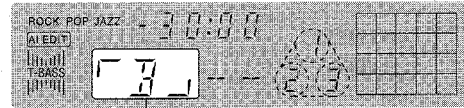


6 Repita el paso 5 para el resto de las canciones para la cara A.

Una canción cuyo tiempo de reproducción sea superior al tiempo restante no podrá ser programada.

7 Pulse el botón EDIT/CHECK mientras pulsa el botón SHIFT del control remoto para seleccionar la cara B y programe las canciones para la cara B.

Después de confirmar que B aparezca en el visualizador, repita el paso 5.



Cara B de la cinta (cara trasera)

8 Pulse el botón EDIT/CHECK mientras pulsa el botón SHIFT para seleccionar la cara A, y pulse el botón ●REC para iniciar la grabación.

La reproducción del disco compacto y la grabación de las canciones editadas para la primera cara empiezan simultáneamente. Cuando termine de grabarse la última canción programada para la cara A, la platina 2 entrará en el modo de parada de grabación. Después de entrar en el modo de parada de grabación, vaya al paso 9.

9 Pulse el botón EDIT/CHECK mientras pulsa el botón SHIFT del control remoto para grabar la segunda cara.

Se visualiza B.

10 Dé la vuelta a la cinta de la platina 2 y pulse el botón ●REC para iniciar la grabación.

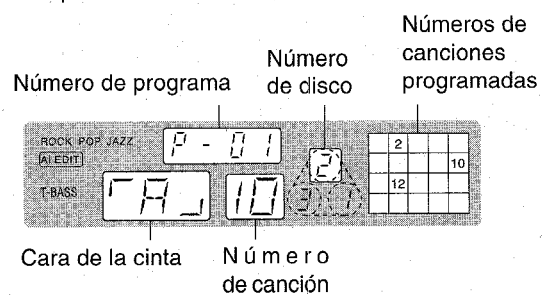
Empieza la grabación.

Para detener la grabación

Pulse el botón ■. La grabación y la reproducción del disco compacto pararán simultáneamente.

Para comprobar el orden de los números de las canciones programadas

Antes de grabar, pulse el botón EDIT/CHECK mientras pulsa el botón SHIFT del control remoto para seleccionar la cara A o la B, y pulse repetidamente el botón ◀◀ o ▶▶.



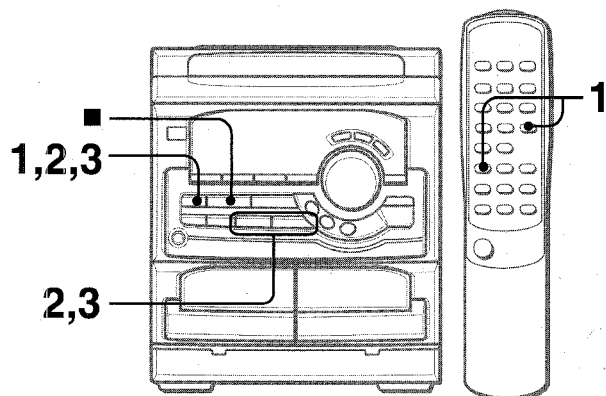
Para cambiar el programa de cada cara

Pulse el botón EDIT/CHECK mientras pulsa el botón SHIFT del control remoto para seleccionar la cara A o B, y pulse el botón ■ CLEAR para borrar el programa de la cara seleccionada. Luego vuelva a programar canciones.

Para borrar el programa de edición

Pulse el botón ■ dos veces para que la línea roja que rodea a "AI EDIT" desaparezca del visualizador.

PUESTA EN HORA DEL RELOJ



- 1 Pulse el botón **CLOCK** mientras pulsa el botón **SHIFT** del control remoto, y luego pulse el botón **SET** antes de que pasen 4 segundos.



- 2 Pulse el botón **◀ DOWN** o **▶ UP** para designar la hora, y luego pulse el botón **SET**. La hora deja de parpadear y empieza a parpadear el minuto.
- 3 Pulse el botón **◀ DOWN** o **▶ UP** para designar el minuto, y luego pulse el botón **SET**. El minuto deja de parpadear en el visualizador y el reloj empieza desde 00 segundos.

Para visualizar la hora actual

Pulse el botón **CLOCK** mientras pulsa el botón **SHIFT** del control remoto. La hora se visualizará durante 4 segundos. Sin embargo, la hora no se podrá visualizar durante la grabación.

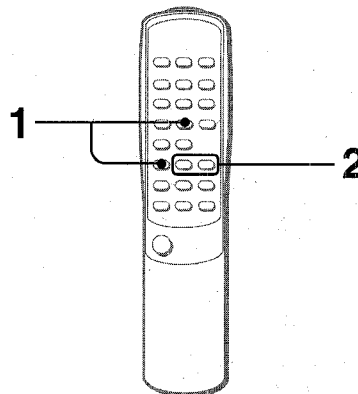
Para cambiar al modo de 24 horas

Pulse el botón **CLOCK** mientras pulsa el botón **SHIFT** del control remoto y luego pulse el botón **■** antes de que pasen 4 segundos. Repita el mismo procedimiento para reponer el modo de 12 horas.

Si parpadea la visualización del reloj

Esto se deberá a un interrupción en el suministro de alimentación. La hora tendrá que ponerse de nuevo. Si la alimentación se interrumpe durante más de 24 horas aproximadamente, todos los ajustes almacenados en la memoria después de adquirir la unidad tendrán que ajustarse otra vez.

AJUSTE DEL TEMPORIZADOR PARA DORMIR



La unidad se podrá apagar automáticamente después de transcurrido un tiempo especificado.

Utilice el control remoto.

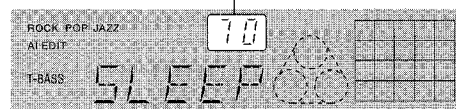
- 1 Pulse el botón **SLEEP** mientras pulsa el botón **SHIFT**.



- 2 Antes de que pasen 4 segundos, pulse el botón **◀** o **▶** para especificar el tiempo tras el cual se desconectará la alimentación.

Cada vez que pulse el botón, el tiempo cambiará entre 5 y 240 minutos en pasos de 5 minutos.

Tiempo especificado



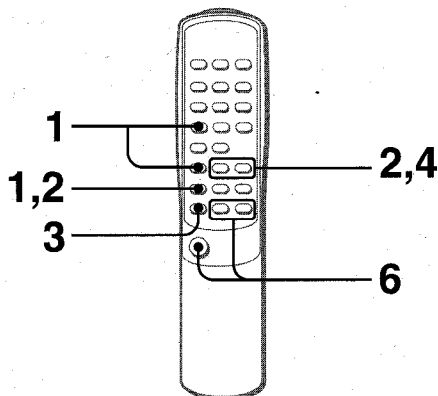
Para comprobar el tiempo restante hasta que se desconecte la alimentación

Pulse una vez el botón **SLEEP** mientras pulsa el botón **SHIFT**. El tiempo restante se visualizará durante 4 segundos.

Para cancelar el temporizador para dormir

Pulse dos veces el botón **SLEEP** mientras pulsa el botón **SHIFT** para que desaparezca "SLEEP" del visualizador.

AJUSTE DEL TEMPORIZADOR



La unidad podrá encenderse a la hora especificada todos los días gracias al temporizador incorporado.

Preparación

Asegúrese de que la hora del reloj sea correcta.

Utilice el control remoto.

- 1 Pulse el botón **TIMER** mientras pulsa el botón **SHIFT** una vez para visualizar \odot , y pulse el botón **SET** antes de que pasen 4 segundos.

\odot se visualizará y la hora parpadeará.



NOTA

Si pulsa el botón **SET** después de 4 segundos tal vez empiece otra operación.

- 2 Designe la hora de encendido del temporizador pulsando el botón **DOWN** o **UP** y luego pulse el botón **SET**. Repita el mismo procedimiento para designar el minuto de encendido del temporizador.



Después de designar la hora de encendido del temporizador, uno de los nombres de las fuentes de sonido parpadeará durante 4 segundos en el visualizador.

- 3 Antes de que pasen 4 segundos, pulse repetidamente el botón **FUNCTION** para seleccionar una fuente.

El nombre de la fuente de sonido seleccionada parpadeará durante 4 segundos.

- Si este paso no se completa antes de que pasen 4 segundos, repita desde el paso 1.
- Si se pulsa el botón **TUNER**, la banda no se podrá seleccionar en este paso.

- 4 Antes de que pasen 4 segundos, seleccione la duración del periodo de reproducción activado por temporizador con el botón **DOWN** o **UP**.



La duración del periodo de reproducción activado por temporizador podrá ajustarse entre 5 y 240 minutos en pasos de 5 minutos.

- Si este paso no se completa antes de que pasen 4 segundos, repita desde el paso 1.

- 5 Prepare la fuente de sonido.

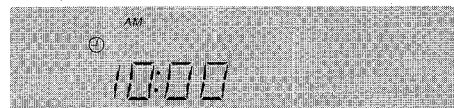
Para escuchar un disco compacto, introduzca el disco que vaya a reproducir en primer lugar en la bandeja 1.

Para escuchar una cinta, introduzca la cinta en la platina 1 o en la 2.

Para escuchar la radio, sintonice una emisora.

- 6 Pulse el botón **POWER** para apagar la unidad después de haber ajustado el volumen y el tono.

\odot permanecerá en el visualizador después de que se desconecte la alimentación (modo de espera del temporizador).



Cuando llegue la hora de encendido del temporizador, la unidad se encenderá y la reproducción empezará con la fuente de sonido seleccionada.

El volumen del sonido se ajusta automáticamente a 16 cuando se desconecta la alimentación estando el nivel ajustado en 17 o más.

- Para comprobar el tiempo y la fuente de sonido especificados

Pulse el botón **TIMER** mientras pulsa el botón **SHIFT**. La hora de encendido del temporizador, el nombre de la fuente seleccionada y la duración del periodo de activación por temporizador se visualizarán durante 4 segundos.

- Para cancelar temporalmente el modo de espera del temporizador

Pulse repetidamente el botón **TIMER** mientras pulsa el botón **SHIFT** para que \odot desaparezca del visualizador.

Para reponer el modo de espera del temporizador, pulse de nuevo el botón para visualizar \odot .

- Utilización de la unidad mientras esté ajustado el temporizador

Podrá utilizar normalmente la unidad después de ajustar el temporizador.

Antes de desconectar la alimentación, siga el paso 5 para preparar la fuente de sonido y ajuste el volumen y el tono.

GRABACION CON TEMPORIZADOR

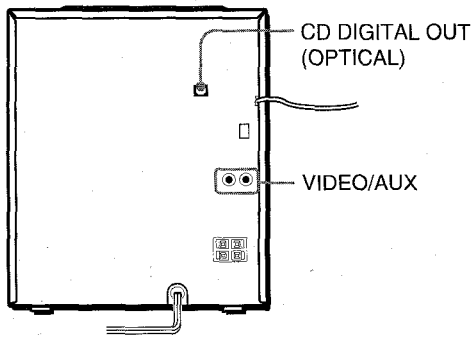
La grabación con temporizador sólo podrá utilizarse con las fuentes de sonido **TUNER** y **VIDEO/AUX** (con un temporizador externo).

Pulse repetidamente el botón **TIMER** mientras pulsa el botón **SHIFT** para que \odot parpadee en el visualizador, y pulse el botón **SET** antes de que pasen 4 segundos. Repita los pasos mostrados arriba, a partir del paso 2, e inserte la cinta que vaya a grabar en la platina 2 después de efectuar el paso 5.

NOTA

- La reproducción y la grabación con temporizador no empezarán si no se desconecta la alimentación.
- El equipo conectado no se podrá encender ni apagar con el temporizador incorporado de esta unidad. Utilice en este caso un temporizador externo.

CONEXION DE UN EQUIPO OPCIONAL



Consulte el manual de instrucciones del equipo conectado para tener más detalles.

- Los cables de conexión no han sido suministrados. Obtenga los cables de conexión necesarios.
- Consulte con su concesionario AIWA en cuanto al equipo opcional.

TOMAS VIDEO/AUX

Esta unidad puede introducir señales de sonido analógico a través de estas tomas.

Utilice un cable con clavijas fono RCA para conectar equipos de audio (giradiscos, reproductores de discos láser, reproductores de minidiscos, vídeos, televisores, etc.).

Conecte la clavija roja a la toma R y la blanca a la toma L.

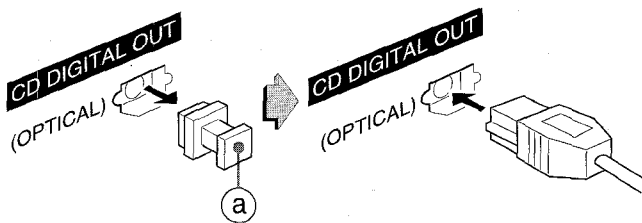
• Cuando conecte un giradiscos

Utilice un giradiscos Aiwa con amplificador ecualizador incorporado.

TOMA CD DIGITAL OUT (OPTICAL)

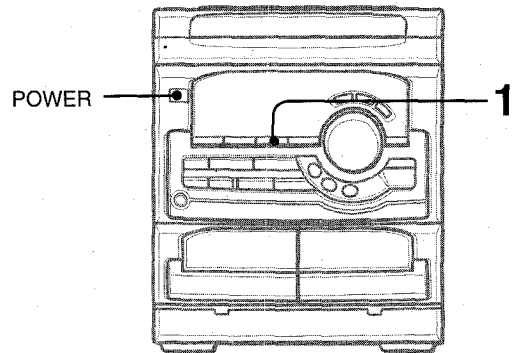
Esta unidad puede dar salida a señales de sonido digital de discos compactos a través de esta toma. Utilice un cable óptico para conectar el equipo de audio digital (amplificador digital, platina de cinta audiodigital, grabadora de minidiscos, etc.).

Quite la tapa contra el polvo (a) de la toma CD DIGITAL OUT (OPTICAL). Luego, conecte la clavija del cable óptico a la toma CD DIGITAL OUT (OPTICAL).



Cuando no se utilice la toma CD DIGITAL OUT (OPTICAL)
Ponga la tapa contra el polvo.

ESCUCHA DE FUENTES DE SONIDO EXTERNAS



Para hacer la reproducción en el equipo conectado a las tomas VIDEO/AUX, siga el procedimiento siguiente:

1 Pulse el botón VIDEO/AUX.

VIDEO aparece en el visualizador.

2 Haga la reproducción en el equipo conectado.

Para cambiar el nombre de una fuente de sonido en el visualizador

Cuando se pulse el botón VIDEO/AUX, VIDEO se visualizará inicialmente. Esto podrá ser cambiado por AUX o TV.

Cuando la alimentación esté conectada, pulse el botón POWER mientras pulsa el botón VIDEO/AUX.

Repita el procedimiento para seleccionar uno de los nombres.

CUIDADOS Y MANTENIMIENTO

El mantenimiento y el cuidado ocasional de la unidad y del software resultan necesarios para optimizar las prestaciones de su unidad.

Para limpiar la caja

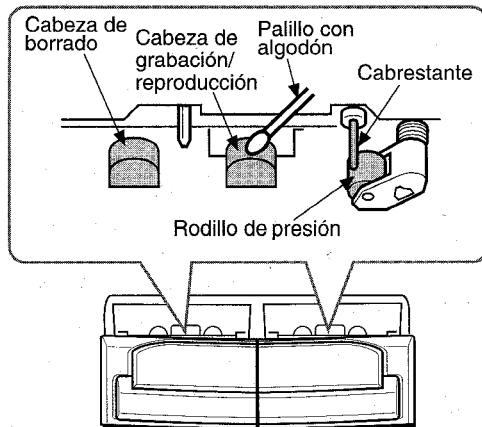
Utilice un paño blando y seco.

Si las superficies están muy sucias, utilice un paño suave humedecido un poco en una solución de detergente suave. No utilice disolventes fuertes tales como alcohol, bencina o diluyente porque éstos podrían estropear el acabado de la unidad.

Para limpiar las cabezas y los puntos por donde pasa la cinta

Después de cada 10 horas de funcionamiento, limpie las cabezas y los puntos por donde pasa la cinta con un casete de limpieza de cabezas o un palillo con algodón humedecido con líquido de limpieza o alcohol desnaturalizado. (Estos juegos de limpieza pueden adquirirse en los comercios del ramo.)

Cuando limpie con un palillo con algodón, limpie la cabeza de grabación/reproducción platina 2 solamente, la cabeza de borrado (platina 2 solamente), los cabrestantes y los rodillos de presión.



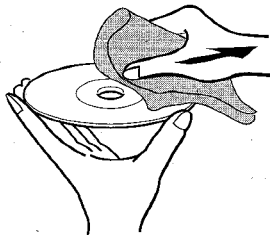
Después de limpiar las cabezas y los puntos por donde pasa la cinta con un casete de limpieza de cabezas que emplee líquido o un palillo con algodón humedecido en líquido de limpieza, espere hasta que las partes limpiadas estén completamente secas antes de introducir las cintas.

Para desmagnetizar las cabezas

Las cabezas se magnetizan después de utilizarlas durante mucho tiempo. Esto puede reducir la gama de salida de las cintas grabadas y aumentar el ruido. Después de 20 a 30 horas de utilización, desmagnetice las cabezas con un desmagnetizador de venta en el comercio del ramo.

Cuidado de los discos

- Cuando un disco esté sucio, límpielo pasando un paño de limpieza desde el centro hacia afuera.



- Después de reproducir un disco, guárdelo en su caja. No deje los discos en lugares calientes o húmedos.

Cuidados de las cintas

- Guarde las cintas en sus cajas después de utilizarlas.
- No deje las cintas cerca de imanes, motores, televisores o cualquier otra fuente de magnetismo. Esto reducirá la calidad del sonido y causará ruidos.
- No exponga cintas a la luz directa del sol, ni las deje en el interior de un automóvil estacionado por un tiempo prolongado.

GUIA PARA LA SOLUCION DE PROBLEMAS

Si la unidad no funciona como se describe en este manual de instrucciones, compruebe la guía siguiente:

GENERALIDADES

No hay sonido.

- ¿Está bien conectado el cable de alimentación de CA?
- ¿Hay alguna conexión mal hecha? (→ página 3)
- Puede haber un cortocircuito en los terminales de los altavoces. → Desconecte el cable de alimentación de CA y corrija las conexiones de los altavoces.
- ¿Se ha pulsado un botón de función equivocado?

Sólo sale sonido de un altavoz.

- ¿Está el otro altavoz desconectado?

Se produce una visualización errónea o un mal funcionamiento.

- Vuelva a ajustar la unidad como se indica más abajo.

SECCION DEL SINTONIZADOR

Hay un ruido de estática constante en forma de onda.

- ¿Está conectada correctamente la antena? (→ página 3)

La recepción tiene interferencias o el sonido está distorsionado.

- ¿Capta el sistema ruidos externos o distorsión de múltiples trayectorias? → Cambie la orientación de la antena.
- Separe la unidad de otros aparatos eléctricos.

SECCION DE LA PLATINA

La cinta no se mueve.

- ¿Está la platina 2 en el modo de pausa? (→ página 8)

El sonido está desequilibrado o no alcanza la altura suficiente.

- ¿Está sucia la cabeza de reproducción? (→ página 18)

No es posible grabar.

- ¿Está rota la lengüeta de prevención contra borrado? (→ página 8)
- ¿Está sucia la cabeza de grabación? (→ página 18)

No es posible borrar la grabación.

- ¿Está sucia la cabeza de borrado? (→ página 18)
- ¿Está utilizando una cinta de metal?

No se emite sonido de alta frecuencia.

- ¿Está sucia la cabeza de grabación/reproducción? (→ página 18)

SECCION DEL REPRODUCTOR DE DISCOS COMPACTOS

El reproductor de discos compactos no puede reproducir.

- ¿Está bien insertado el disco? (→ página 9)
- ¿Está sucio el disco? (→ página 18)
- ¿Afecta la condensación a la lente? → Espere una hora aproximadamente y pruebe otra vez.

Para reajustar la unidad

Si se produce alguna condición extraña en el visualizador o en las platinas, reajuste la unidad de la forma siguiente:

- 1 Pulse el botón POWER para desconectar la alimentación.
- 2 Pulse el botón POWER para conectar la alimentación mientras pulsa el botón ■ CLEAR. Todo lo que haya sido almacenado en la memoria después de haber adquirido la unidad se borrará.

Si no puede desconectarse la alimentación en el paso 1 debido a algún mal funcionamiento, reajuste la unidad desconectando el cable de alimentación de CA y conectándolo de nuevo. Luego repita el paso 2.

ESPECIFICACIONES

Unidad principal CX-NA22

Sección del sintonizador de FM

Gama de sintonización	87,5 MHz a 108 MHz
Antena	Antena de cable

Sección del sintonizador de AM

Gama de sintonización	530 kHz a 1710 kHz (pasos de 10 kHz) 531 kHz a 1602 kHz (pasos de 9 kHz)
-----------------------	---

Sensibilidad útil 350 μ V/m

Antena Antena de cuadro

Sección del amplificador

Potencia de salida 20 W + 20 W (50 Hz – 20 kHz, con no más del 1% de distorsión armónica total, 6 ohmios)

Distorsión armónica total 0,2% (10 W, 1 kHz, 6 ohmios, DIN AUDIO)

Entradas VIDEO/AUX: 400 mV

Salidas SPEAKERS: Acepta altavoces de 6 ohmios o más
PHONES (toma estéreo): Acepta auriculares de 32 ohmios o más

Sección de la platina

Formato de pistas 4 pistas, 2 canales estéreo

Respuesta de frecuencia 50 Hz–10000 Hz

Sistema de grabación Polarización de CA

Cabezas Platina 1: 1 cabeza de reproducción

Platina 2: 1 cabeza de grabación/reproducción,
1 cabeza de borrado

Sección del reproductor de discos compactos

Láser Láser de semiconductor ($\lambda = 780$ nm)

Convertidor D-A 1 bit doble

Relación señal a ruido 85 dB (1 kHz, 0 dB)

Distorsión armónica 0,05% (1 kHz, 0 dB)

Fluctuación y trémolo No se puede medir

Generalidades

Alimentación 120 V CA, 60 Hz

Consumo 53 W

Dimensiones de la unidad principal (An \times Al \times Prof) 260 \times 308,3 \times 350 mm

Peso de la unidad principal 4,8 kg

Sistema de altavoces SX-NA22

Tipo de caja 2 vías, reflejo de graves (tipo de blindaje antimagnético)

Altavoces Altavoz para graves:
Tipo cónico de 120 mm
Altavoz para agudos:
Tipo cerámico de 10 mm
6 ohmios

Impedancia

Nivel de presión acústica de salida 87 dB/W/m

Dimensiones (An \times Al \times Prof) 240 \times 304 \times 250 mm

Peso 2,7 kg

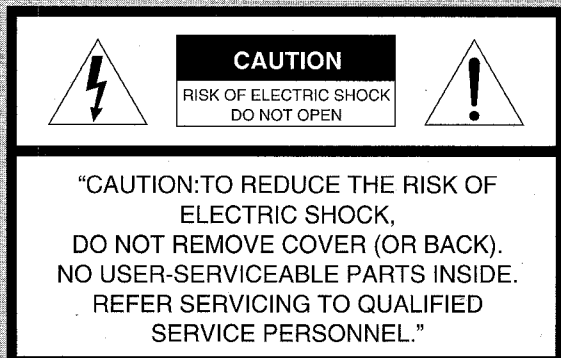
Las especificaciones y el aspecto exterior están sujetos a cambios sin previo aviso.

DERECHOS DE AUTOR

Sírvase comprobar las leyes de derechos de autor relacionadas con la grabación de discos, de la radio o de cintas del país en el que se utilice el aparato.

AVERTISSEMENT

POUR REDUIRE LE RISQUE DE COURT-CIRCUIT OU DE CHOC ELECTRIQUE, NE PAS EXPOSER CET APPAREIL A LA PLUIE OU A L'HUMIDITE.



Signification des symboles graphiques:



L'éclair portant une flèche, situé dans un triangle équilatéral, sert à prévenir l'utilisateur de la présence d'une "tension dangereuse" non isolée à l'intérieur de l'appareil, assez élevée pour constituer un risque d'électrocution.



Le point d'exclamation situé dans un triangle équilatéral sert à prévenir l'utilisateur de la présence d'instructions importantes concernant l'utilisation et l'entretien (ou la réparation) de l'appareil dans le manuel qui accompagne ce dernier.

Relevé du propriétaire


Pour plus de commodité, noter le numéro de modèle et le numéro de série (ces numéros se trouvent au dos de l'appareil) dans les cases ci-dessous. Prière de mentionner ces numéros quand on contacte un distributeur Aiwa en cas de difficulté.

N° de modèle	N° de série (N° de lot)
CX-NA22	
SX-NA22	

PRECAUTIONS

Lire le mode d'emploi attentivement et complètement avant d'utiliser l'appareil. Garder le mode d'emploi pour toute référence future. Tous les avertissements et toutes les précautions donnés dans le mode d'emploi et sur l'appareil doivent être suivis à la lettre, aussi bien que les suggestions de sécurité suivantes.

Installation

- Eau et humidité** — Ne pas utiliser cet appareil près d'eau, comme près d'une baignoire, d'une cuvette, d'une piscine ou autre.
- Chaleur** — Ne pas utiliser cet appareil près de sources de chaleur, comme sorties de chauffage, poêles ou autres appareils qui dégagent de la chaleur. L'appareil ne doit pas être soumis à des températures inférieures à 5°C ou supérieures à 35°C.
- Surface d'utilisation** — Poser l'appareil sur une surface plate et lisse.
- Ventilation** — L'appareil doit être positionné avec un espace suffisant autour afin d'assurer une dissipation adéquate de la chaleur. Laisser un espace de 10 cm derrière et dessus l'appareil, et un espace de 5 cm de chaque côté.
 - Ne pas mettre l'appareil sur un lit, un tapis ou sur une surface similaire qui pourrait obstruer les orifices de ventilation.
 - Ne pas mettre l'appareil dans une bibliothèque, un coffret ou un meuble complètement fermé où l'aération serait insuffisante.
- Entrée d'objets et de liquide** — Faire attention à ce que aucun corps étranger ou liquide ne pénètre dans l'appareil pas les orifices de ventilation.
- Chariot et support** — Si l'appareil est posé ou monté sur un support ou un chariot, déplacer ce dernier avec précaution. Les arrêts brusques, une force excessive et les surfaces inégales peuvent provoquer le renversement ou le chute de l'appareil et du chariot.
 
- Condensation** — De la condensation peut se former sur la lentille du capteur du lecteur de disques compacts quand:
 - l'appareil est déplacé d'un endroit froid à un endroit chaud.
 - le chauffage vient juste d'être mis en marche.
 - l'appareil est utilisé dans une pièce très humide.
 - l'appareil est refroidi par un climatiseur.
 S'il y a de la condensation à l'intérieur de cet appareil, il risque de ne pas fonctionner correctement. Le cas échéant, laisser l'appareil pendant quelques heures, puis essayer de nouveau de l'utiliser.
- Fixation à un mur ou un plafond** — L'appareil ne doit pas être fixé à un mur ou un plafond, à moins que ce ne soit spécifié dans le mode d'emploi.

Energie électrique

- Alimentations électriques** — Brancher cet appareil uniquement aux alimentations électriques spécifiées dans le mode d'emploi, et comme indiqué sur l'appareil.
- Polarisation** — Comme mesure de sécurité, certains appareils sont munis de fiches polarisées d'alimentation secteur qui ne peuvent être introduites que dans un sens dans une prise de courant. S'il est difficile ou impossible d'insérer la fiche d'alimentation secteur dans une prise, retourner la fiche et essayer de nouveau. Si l'on ne peut toujours pas insérer la fiche dans la prise, s'adresser à un électricien qualifié pour faire réparer ou changer la prise. Afin de ne pas annuler la sécurité de la fiche polarisée, ne pas insérer cette fiche en force dans une prise.
- Cordon d'alimentation secteur**
 - Pour débrancher le cordon d'alimentation secteur, le tirer par sa fiche. Ne pas tirer sur le cordon proprement dit.
 - Ne jamais tenir la fiche d'alimentation secteur avec les mains mouillées, cela pourrait se traduire par un court-circuit ou un choc électrique.
 - Les cordons d'alimentation doivent être installés de manière à ne pas être pliés, pincés ou piétinés. Faire particulièrement attention au cordon allant de l'appareil à la prise d'alimentation.

- Eviter de surcharger les prises d'alimentation et les rallonges au-delà de leur capacité, cela pourrait se traduire par un court-circuit ou un choc électrique.

4 Rallonge — Afin d'éviter tout choc électrique, ne pas utiliser une fiche polarisée d'alimentation secteur avec une rallonge ou une prise si cette fiche ne peut pas être insérée complètement de manière que ses lames ne soient pas exposées.

5 Périodes de non-utilisation — Débrancher le cordon d'alimentation secteur de la prise électrique si l'appareil ne doit pas être utilisé pendant plusieurs mois ou plus. Quand le cordon est branché, un courant de faible intensité continue de circuler dans l'appareil même si l'alimentation est coupée.

Dommage nécessitant une réparation

S'adresser à un technicien qualifié pour faire réparer l'appareil si:

- Le cordon ou la fiche d'alimentation secteur de l'appareil est endommagé
- Tout corps étranger ou liquide est entré dans l'appareil
- L'appareil a été exposé à la pluie ou à de l'eau
- L'appareil ne semble pas fonctionner normalement
- L'appareil présente un changement notable de performances
- L'appareil a subi un choc, ou son coffret a été endommagé

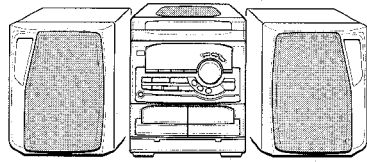
N'ESSAYEZ PAS DE REPARER L'APPAREIL VOUS-MEME.

TABLE DES MATIERES

PRECAUTIONS	1
PREPARATIONS	
CONNEXIONS	3
TELECOMMANDE	4
AVANT L'UTILISATION	5
SON	
REGLAGES AUDIO	5
EGALISEUR GRAPHIQUE	6
RECEPTION RADIO	
ACCORD MANUEL	6
MEMORISATION DE STATIONS	7
LECTURE DE CASSETTES	
OPERATIONS DE BASE	8
LECTURE DE DISQUES COMPACTS	
OPERATIONS DE BASE	9
LECTURE PROGRAMMEE	10
ENREGISTREMENT	
ENREGISTREMENT DE BASE	11
DUPLICATION MANUELLE D'UNE CASSETTE	12
DUPLICATION DE LA TOTALITE D'UNE CASSETTE ..	12
ENREGISTREMENT AVEC MONTAGE ET CALCUL	
DU TEMPS	13
ENREGISTREMENT AVEC MONTAGE	
PROGRAMME	14
HORLOGE ET MINUTERIE	
REGLAGE DE L'HORLOGE	15
REGLAGE DE LA MINUTERIE D'ARRET	15
REGLAGE DE LA MINUTERIE	16
AUTRES CONNEXIONS	
CONNEXION D'UN APPAREIL OPTIONNEL	17
ECOUTE DE SOURCES EXTERNES	17
GENERALITES	
SOINS ET ENTRETIEN	18
EN CAS DE PROBLEME	18
SPECIFICATIONS	19
NOMENCLATURE	<i>Couverture du dos</i>

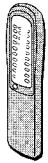
CONNEXIONS

Contrôler la chaîne et les accessoires.

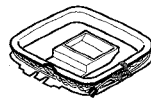


CX-NA22 Radio magnétocassette lecteur de disques compacts stéréo
 SX-NA22 Enceintes avant

Télécommande



Antenne AM



Mode d'emploi, etc

Avant de brancher le cordon secteur

La tension nominale d'alimentation secteur de l'appareil, indiquée au dos de ce dernier, est de 120V. S'assurer que cette tension nominale correspond à celle du secteur local.

IMPORTANT:

Commencer par brancher les enceintes, les antennes et tout appareil optionnel. Brancher le cordon secteur en dernier.

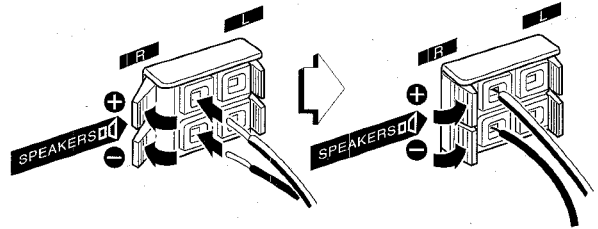
ATTENTION!

Ne pas connecter l'antenne FM à une borne murale d'antenne extérieure; cela pourrait provoquer un choc.

1 Connecter les enceintes droite et gauche à l'appareil principal.

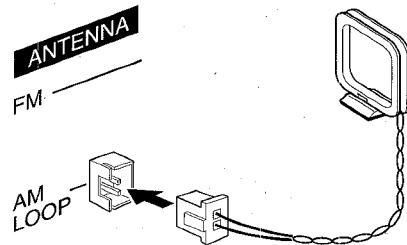
Connecter le cordon de l'enceinte droite aux bornes SPEAKERS R et celui de l'enceinte gauche aux bornes SPEAKERS L.

Il n'y a pas de différence entre les enceintes. Chacune d'elle peut être connectée comme enceinte gauche (L) ou droite (R).



Le cordon d'enceinte rayé de blanc doit être connecté à la borne + et le cordon noir à la borne -.

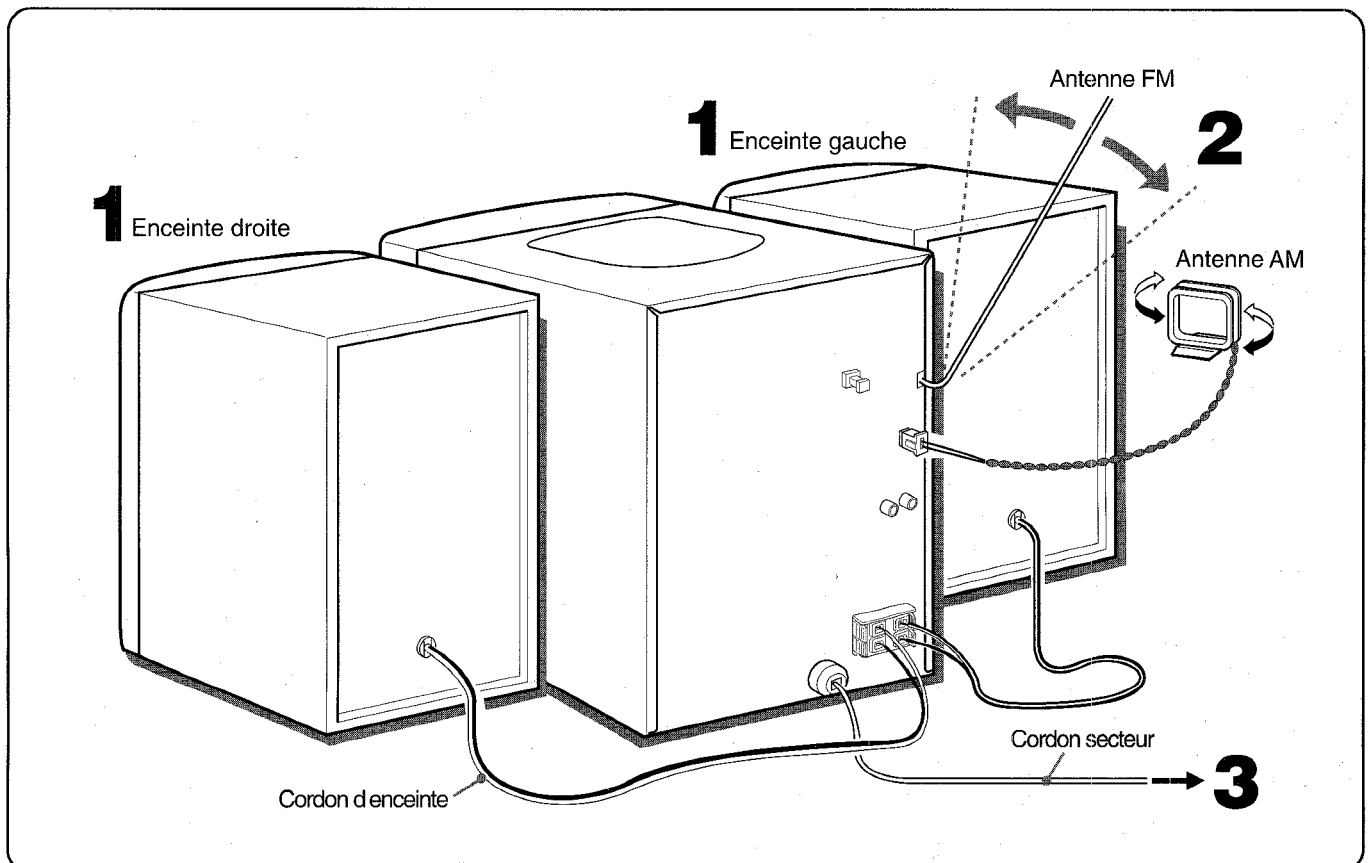
2 Connecter l'antenne AM fournie à la borne AM LOOP.



3 Brancher le cordon secteur à une prise de courant.

REMARQUE

Quand on branche le cordon secteur, tous les caractères peuvent s'allumer sur l'affichage. Le cas échéant, débrancher le cordon secteur. Ensuite, le rebrancher.



Pour positionner les antennes

Antenne FM:

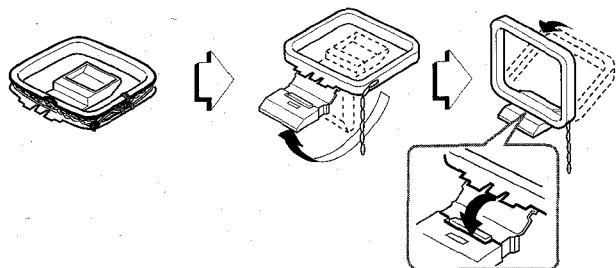
Déployer cette antenne complètement et fixer son extrémité à un mur.

Antenne AM:

Orienter cette antenne de manière à obtenir la meilleure réception possible.

Pour poser l'antenne AM sur une surface

Fixer la griffe dans la rainure.



REMARQUE

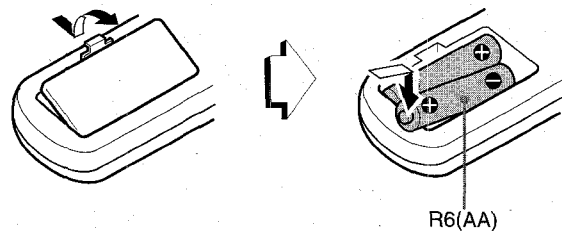
- Faire attention à connecter les cordons d'enceinte correctement. Des connexions incorrectes peuvent provoquer des courts-circuits dans les bornes SPEAKERS.
- Ne pas laisser d'objets produisant un champ magnétique près des enceintes.
- Ne pas mettre l'antenne FM près d'objets métalliques ou de tringles à rideaux.
- Ne pas mettre l'antenne AM près d'un appareil optionnel, de la chaîne stéréo proprement dite, du cordon secteur ou des cordons d'enceinte; elle pourrait capter des parasites.
- Ne pas dérouler le fil de l'antenne AM.

Pour connecter un appareil optionnel → page 17.

TELECOMMANDE

Mise en place des piles

Enlever le couvercle des piles du dos de la télécommande et mettre deux piles R6 (taille AA) en place.



Quand remplacer les piles

La distance maximale de fonctionnement de la télécommande entre cette dernière et le capteur situé sur l'appareil principal doit être d'environ cinq mètres. Lorsque cette distance diminue, remplacer les piles par des neuves.

Utilisation de la touche SHIFT de la télécommande

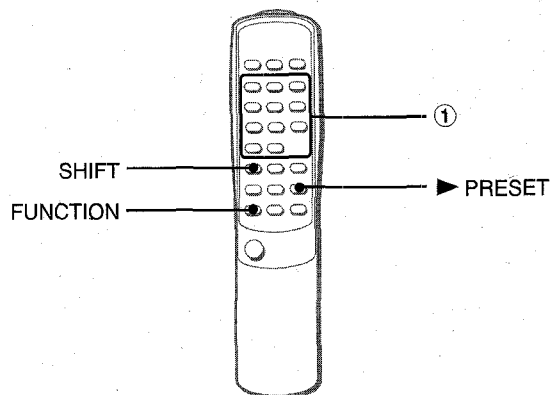
Les touches ① possèdent deux fonctions différentes. Une de ces fonctions est indiquée sur la touche, et l'autre sur la plaque se trouvant au-dessus de la touche.

Pour utiliser la fonction indiquée sur la touche, il suffit d'appuyer sur cette dernière.

Pour utiliser la fonction indiquée sur la plaque se trouvant au-dessus de la touche, appuyer sur cette dernière tout en appuyant sur la touche SHIFT.

Utilisation de la touche FUNCTION de la télécommande

La touche FUNCTION remplace les touches de fonction (TAPE/DECK 1/2, TUNER, VIDEO/AUX et CD) de l'appareil principal. A chaque pression sur la touche FUNCTION, la fonction suivante est sélectionnée de manière cyclique. Quand il a une cassette dans chacune des deux platines, ces dernières sont sélectionnées avec la touche FUNCTION.

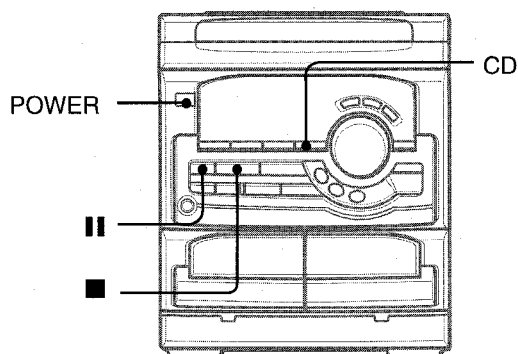


F

REMARQUE

- Si la télécommande ne doit pas être utilisée pendant longtemps, enlever les piles pour éviter tout risque de fuite d'électrolyte.
- La télécommande risque de ne pas fonctionner correctement quand:
 - l'espace entre la télécommande et le capteur situé sur la fenêtre d'affichage est exposé à une lumière intense, comme le soleil.
 - d'autres télécommandes (téléviseur, etc.) sont utilisées à proximité.

AVANT L'UTILISATION



Pour mettre l'appareil sous tension

Appuyer sur une des touches de fonction (TAPE, TUNER, VIDEO/AUX, CD).

La lecture du disque ou de la cassette en place commence, ou la station écoutée en dernier est reçue (fonction de lecture directe).

On peut aussi appuyer sur la touche POWER.

Quand l'appareil est mis sous tension, le compartiment à disques peut s'ouvrir et se fermer pour réinitialisation de l'appareil.

Mode DEMO (Démonstration)

Quand on branche le cordon secteur, la fenêtre d'affichage montre les fonctions de l'appareil. Lors de la mise sous tension, l'affichage de démonstration est remplacé par l'affichage d'opération. Quand l'alimentation est coupée, le mode DEMO est rétabli.

Pour annuler le mode DEMO

L'alimentation étant coupée, appuyer sur la touche II SET. L'horloge clignote sur l'affichage. (Pour régler l'heure courante, voir la partie "REGLAGE DE L'HORLOGE", page 15.) Pour rétablir le mode DEMO, appuyer sur la touche ► tandis que l'alimentation est coupée.

Fenêtre clignotante

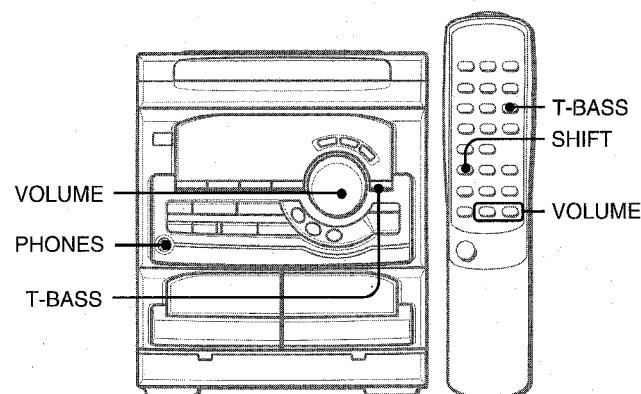
La fenêtre située au sommet de l'appareil s'allume ou clignote quand l'appareil est mis sous tension.

Pour éteindre l'éclairage de la fenêtre supérieure, appuyer sur la touche CD tout en appuyant sur la touche ■. Pour rallumer l'éclairage, répéter cette opération.

Pour mettre l'appareil hors tension

Appuyer sur la touche POWER.

REGLAGES AUDIO



VOLUME

Tourner la commande VOLUME de l'appareil principal, ou appuyer sur les touches VOLUME de la télécommande

Le niveau du volume est affiché sous la forme d'un nombre de 0 à MAX (31). Quand on coupe l'alimentation alors que le niveau du volume est réglé à 17 ou plus, ce niveau est automatiquement réglé à 16.

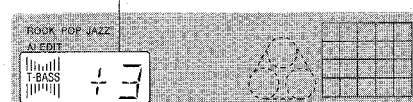
SYSTEME SUPER T-BASS

Le système T-BASS améliore le réalisme du son aux basses fréquences.

Appuyer sur la touche T-BASS.

A chaque pression sur cette touche, le niveau change. Sélectionner un des trois niveaux ou la position de repos, comme on préfère.

➤+1➤+2➤+3➤OFF (annulation)➤



Pour sélectionner avec la télécommande

Appuyer sur la touche T-BASS tout en appuyant sur la touche SHIFT.

REMARQUE

Le son aux basses fréquences risque d'être déformé quand le système T-BASS est utilisé pour un disque ou une cassette dont le son aux basses fréquences est accentué d'origine. Dans ce cas, annuler le système T-BASS.

Utilisation d'un casque

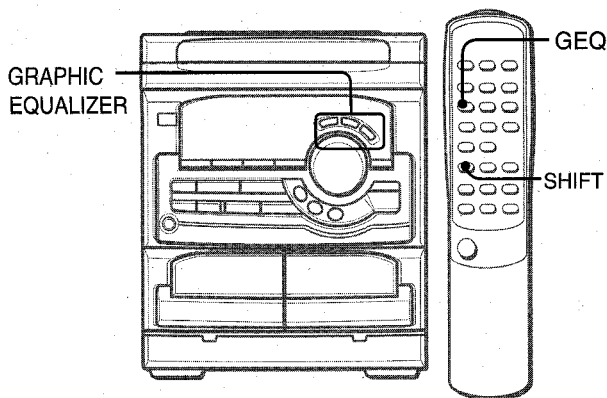
Brancher un casque muni d'une fiche stéréo standard (6,3 mm Ø) à la prise PHONES.

Aucun son ne sort par les enceintes quand un casque est branché.

Réglage du son pendant l'enregistrement

On peut faire varier librement le volume de sortie et la tonalité des enceintes ou du casque sans affecter le niveau de l'enregistrement.

EGALISEUR GRAPHIQUE



Cet appareil possède les trois courbes d'égalisation différentes suivantes.

ROCK: Son puissant accentuant les aigus et les graves

POP: Présence accrue des parties vocales et de la gamme moyenne

JAZZ: Fréquences basses accentuées par la musique de type jazz

Appuyer sur une des touches **GRAPHIC EQUALIZER**.

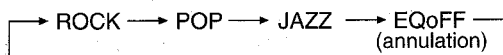


Pour annuler le mode sélectionné

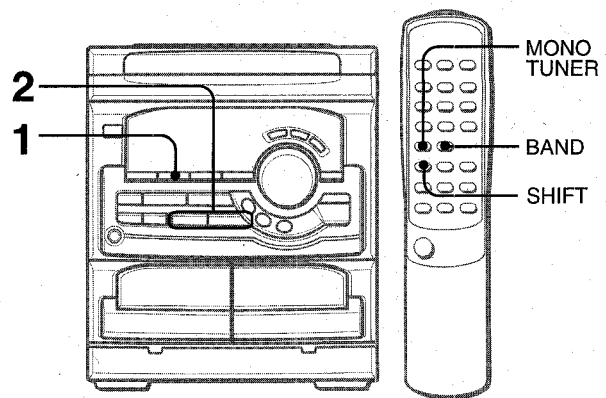
Appuyer de nouveau sur la touche sélectionnée. "EQ OFF" est affiché.

Pour sélectionner avec la télécommande

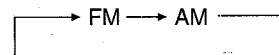
Appuyer sur la touche **GEQ** à plusieurs reprises tout en appuyant sur la touche **SHIFT**. Le mode d'égalisation graphique est affiché de manière cyclique comme suit.



ACCORD MANUEL



1 Appuyer sur la touche TUNER/BAND à plusieurs reprises pour sélectionner la gamme souhaitée.



Quand on appuie sur la touche **TUNER/BAND** alors que l'alimentation est coupée, l'appareil est mis sous tension directement.

Pour sélectionner une gamme avec la télécommande

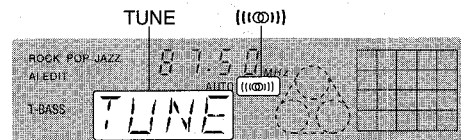
Appuyer sur la touche **BAND** tout en appuyant sur la touche **SHIFT**.

2 Appuyer sur la touche ◀◀ DOWN ou ▶▶ UP pour sélectionner une station.

A chaque pression sur la touche, la fréquence change.

Quand une station est reçue, "TUNE" est affiché pendant deux secondes.

Pendant la réception FM stéréo, ((Ⓜ)) est affiché.



Pour rechercher une station rapidement (Recherche automatique)

Tenir la touche ◀◀ DOWN ou ▶▶ UP enfoncée jusqu'à ce que le tuner démarre la recherche d'une station, la recherche s'arrête.

Pour arrêter la recherche automatique manuellement, appuyer sur la touche ◀◀ DOWN ou ▶▶ UP.

• La recherche automatique risque de ne pas s'arrêter sur les stations présentant des signaux très faibles.

Quand une émission FM stéréo présente des parasites

Appuyer sur la touche **MONO TUNER** tout en appuyant sur la touche **SHIFT** de la télécommande de manière que "AUTO" disparaisse de l'affichage.

Les parasites sont réduits, mais la réception est monophonique. Pour rétablir la réception stéréophonique, appuyer sur les touches pour faire apparaître "AUTO".

Pour changer l'intervalle d'accord AM

Le réglage par défaut de l'intervalle d'accord AM est de 10 kHz/pas. Si on utilise cet appareil dans un endroit où le système d'allocation de fréquences est de 9 kHz/pas, changer l'intervalle d'accord.

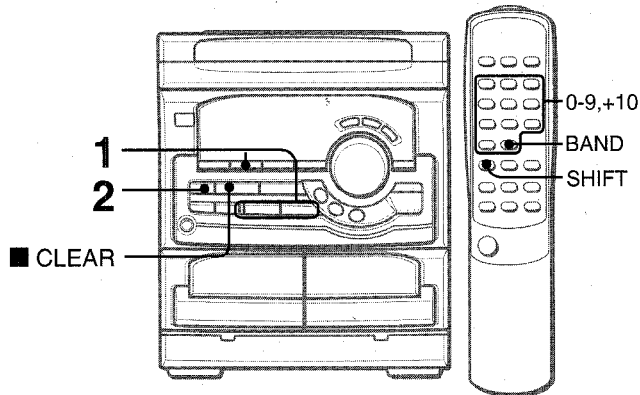
Appuyer sur la touche **POWER** tout en appuyant sur la touche **TUNER/BAND**.

Pour rétablir l'intervalle initial, procéder de la même manière.

REMARQUE

Après le changement de l'intervalle d'accord AM, toutes les stations mémorisées sont effacées. Il faut mémoriser de nouveau ces stations.

MEMORISATION DE STATIONS

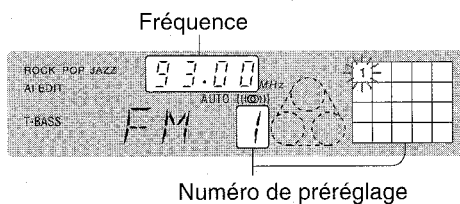


L'appareil peut mémoriser un total de 32 stations. (On peut mémoriser un maximum de 20 stations de chaque gamme.) Quand une station est mémorisée, un numéro de préséglage lui est affecté. Pour accorder l'appareil directement sur une station mémorisée, utiliser le numéro de préséglage correspondant.

1 Appuyer sur la touche TUNER/BAND pour sélectionner une gamme, puis appuyer sur la touche ◀ DOWN ou ▶ UP pour sélectionner une station.

2 Appuyer sur la touche ■ SET pour mémoriser la station.

Un numéro de préséglage est affecté à une station à partir de 1 dans l'ordre consécutif pour chaque gamme.



3 Répéter les étapes 1 et 2.

La station suivante ne sera pas mémorisée si un total de 32 stations ont été mémorisées pour toutes les gammes ou si un total de 20 stations sont déjà mémorisées pour la gamme sélectionnée.

ACCORD SUR UNE STATION MEMORISEE

Utiliser la télécommande pour sélectionner le numéro de préséglage directement.

1 Appuyer sur la touche BAND tout en appuyant sur la touche SHIFT pour sélectionner une gamme.

2 A l'aide des touches numériques, sélectionner un numéro de préséglage.

Exemple:

Pour sélectionner le numéro de préséglage 20, appuyer sur les touches +10, +10 et 0.

Pour sélectionner le numéro de préséglage 15, appuyer sur les touches +10 et 5.

Sélection d'un numéro de préséglage sur l'appareil principal

Appuyer sur la touche TUNER/BAND pour sélectionner une gamme. Ensuite, appuyer sur la touche ▶ PRESET à plusieurs reprises.

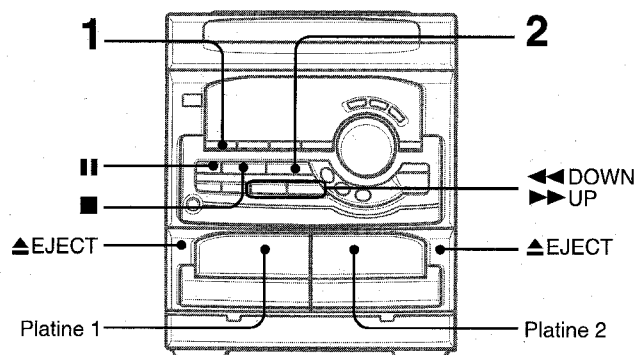
A chaque pression sur la touche, le numéro de préséglage suivant le plus proche est sélectionné.

Suppression d'une station mémorisée

Sélectionner le numéro de préséglage de la station à supprimer. Ensuite, appuyer sur la touche ■ CLEAR puis appuyer sur la touche ■ SET dans les quatre secondes qui suivent.

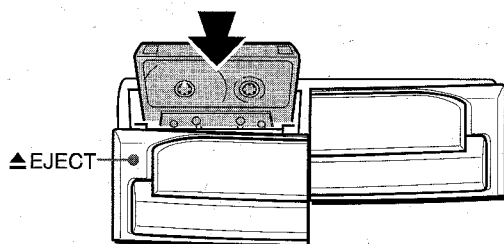
Les numéros de préséglage suivants de toutes les autres stations de la gamme sont aussi diminués d'une unité.

OPERATIONS DE BASE



Utiliser seulement des cassettes de type I (normales).

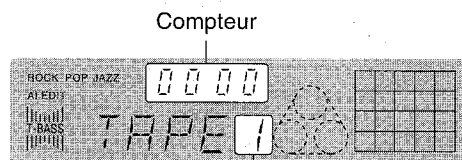
1 Appuyer sur la touche TAPE puis appuyer sur la marque ▲ EJECT pour ouvrir le porte-cassette.



Insérer une cassette avec le côté exposé du ruban magnétique en bas. Pousser le porte-cassette pour le fermer.

2 Appuyer sur la touche ► pour démarrer la lecture.

Seule la face orientée vers l'extérieur de l'appareil peut être lue.



Numéro de la platine sélectionnée

Pour sélectionner une platine de lecture

Quand il y a une cassette dans chacune des deux platines, appuyer d'abord sur la touche TAPE pour sélectionner une platine.

Le numéro de la platine sélectionnée est affiché.

Pour arrêter la lecture, appuyer sur la touche ■.

Pour mettre la lecture en pause (platine 2 seulement), appuyer sur la touche II. Pour reprendre la lecture, appuyer de nouveau sur cette touche.

Pour obtenir une avance rapide ou un rebobinage, appuyer sur la touche ◀◀ ou ▶▶. Ensuite, appuyer sur la touche ■ pour arrêter le défilement.

Pour démarrer la lecture quand l'alimentation est coupée (fonction de lecture directe)

Appuyer sur la touche TAPE. L'appareil est mis sous tension et la lecture de la cassette en place commence.

Pour mettre le compteur à 0000

Appuyer sur la touche ■ CLEAR dans le mode arrêt.

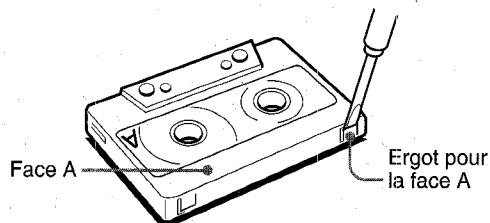
Le compteur est aussi mis à 0000 quand le porte-cassette est ouvert.

Quand il y a une cassette dans chacune des deux platines

Une fois que la lecture sur la platine 1 est terminée, la lecture de la cassette de la platine 2 démarre sans interruption et se poursuit jusqu'à la fin de la face avant de cette cassette. (Lecture continue)

Au sujet des cassettes

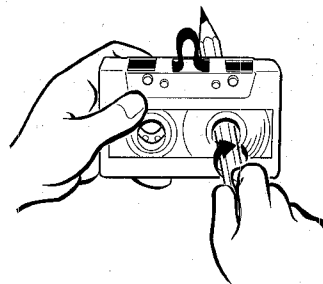
- Pour éviter un effacement accidentel, utiliser un tournevis ou tout autre objet effilé pour casser les ergots en plastique de la cassette après l'enregistrement.



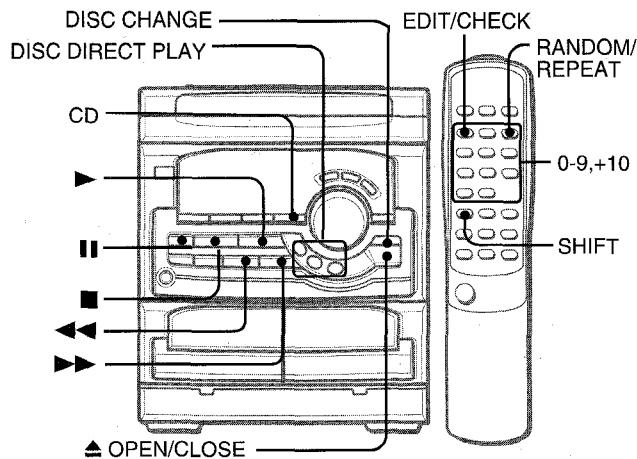
Pour enregistrer de nouveau sur une cassette, recouvrir les cavités des ergots avec du ruban adhésif ou autre.

- Le ruban magnétique des cassettes de 120 minutes ou plus est extrêmement fin et se déforme et s'endommage facilement. Ces cassettes ne sont pas recommandées.

- Tendre le ruban magnétique avec un crayon ou un objet similaire avant d'utiliser une cassette. Un ruban magnétique détendu peut se rompre ou s'emmêler dans le mécanisme.



OPERATIONS DE BASE

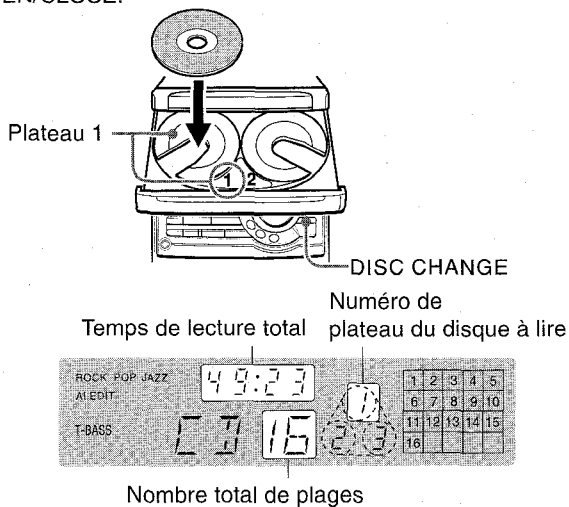


MISE EN PLACE DE DISQUES

Appuyer sur la touche CD, puis appuyer sur la touche ▲ OPEN/CLOSE pour ouvrir le compartiment à disques. Mettre le(s) disque(s) en place avec l'étiquette en haut.

Pour lire un ou deux disques, mettre les disques sur les plateaux 1 et 2.

Pour lire trois disques, appuyer sur la touche DISC CHANGE pour faire tourner les plateaux après avoir mis deux disques en place. Mettre en place le troisième disque sur le plateau 3. Fermer le compartiment à disques en appuyant sur la touche ▲ OPEN/CLOSE.

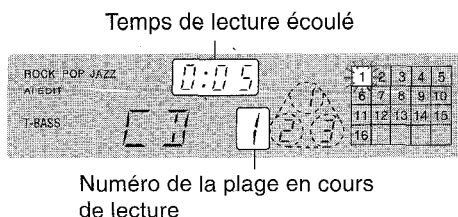


LECTURE DE DISQUES

Mettre des disques en place.

Pour lire tous les disques situés dans le compartiment, appuyer sur la touche ►.

La lecture commence par le disque du plateau 1.



Pour lire un disque seulement, appuyer sur une des touches DISC DIRECT PLAY.

Le disque sélectionné est lu une fois.

Pour arrêter la lecture, appuyer sur la touche ■.

Pour mettre la lecture en pause, appuyer sur la touche |||. Pour reprendre la lecture, appuyer de nouveau sur cette touche.

Pour rechercher un point particulier pendant la lecture, tenir la touche ◀◀ ou ▶▶ enfoncée jusqu'à ce que le point souhaité soit atteint.

Pour passer au début d'une plage pendant la lecture, appuyer sur la touche ◀◀ ou ▶▶ à plusieurs reprises.

Pour enlever des disques, appuyer sur la touche ▲ OPEN/CLOSE.

Pour démarrer la lecture quand l'alimentation est coupée (fonction de lecture directe)

Appuyer sur la touche CD. L'appareil est mis sous tension et la lecture du (des) disque(s) en place démarre.

Quand on appuie sur la touche ▲ OPEN/CLOSE, l'appareil est aussi mis sous tension.

Pour vérifier le temps restant

Pendant la lecture, appuyer sur la touche EDIT/CHECK de la télécommande tout en appuyant sur la touche SHIFT. Le temps restant jusqu'à ce que toutes les plages soient lues est affiché. Pour rétablir l'affichage du temps de lecture, répéter cette opération.

Sélection d'une plage avec la télécommande

1 Appuyer sur une des touches DISC DIRECT PLAY pour sélectionner un disque.

2 A l'aide des touches numériques et de la touche +10, sélectionner une plage.

Exemple:

Pour sélectionner la vingt-cinquième plage, appuyer sur les touches +10, +10 et 5.

Pour sélectionner la dixième plage, appuyer sur les touches +10 et 0.

La lecture démarre à la plage sélectionnée et continue jusqu'à la fin du disque.

Changement de disques pendant la lecture

Pendant qu'un disque est en lecture, on peut remplacer les autres disques sans interrompre la lecture.

1 Appuyer sur la touche DISC CHANGE.

2 Enlever les disques et mettre d'autres disques en place.

3 Appuyer sur la touche ▲ OPEN/CLOSE pour fermer le compartiment à disques.

REMARQUE

• Pour mettre un disque de 8 cm en place, le poser dans le renforcement circulaire du plateau.

• Ne pas mettre plus d'un disque compact sur un plateau.

• Ne pas incliner l'appareil avec des disques en place. Cela pourrait provoquer des pannes.

LECTURE ALEATOIRE/REPETEE

Utiliser la télécommande.

Lecture aléatoire

Toutes les plages du disque sélectionné ou de tous les disques peuvent être lues dans un ordre aléatoire.


Lecture répétée

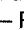
Un seul disque ou tous les disques peuvent être lus à plusieurs reprises.

Appuyer sur la touche RANDOM/REPEAT tout en appuyant sur la touche SHIFT.


A chaque pression sur ces touches, la fonction est sélectionnée de manière cyclique.

Lecture aléatoire — RANDOM s'allume sur l'affichage.

Lecture répétée —  s'allume sur l'affichage.

Lecture aléatoire/répétée — RANDOM et  s'allument sur l'affichage.


Annulation — RANDOM et  disparaissent de l'affichage.

Pour lire tous les disques, appuyer sur la touche  pour démarrer la lecture.

Pour lire un seul disque, appuyer sur une des touches DISC DIRECT PLAY pour démarrer la lecture.

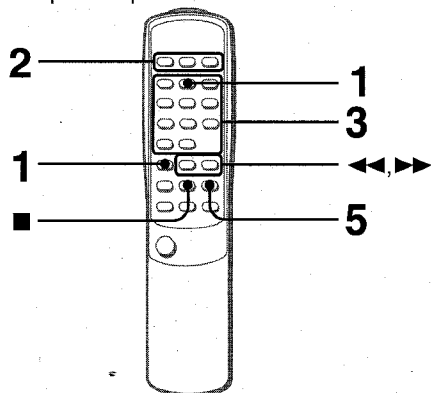
REMARQUE

Pendant la lecture aléatoire, les opérations suivantes sont impossibles:

- sélection directe des plages avec les touches numériques.
- saut à la plage précédemment lue avec la touche .

LECTURE PROGRAMMEE

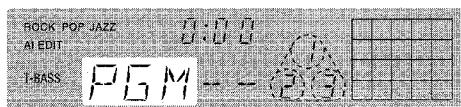
On peut programmer un maximum de 30 plages de n'importe lequel des disques en place.



Utiliser la télécommande.

1 Appuyer sur la touche PRGM tout en appuyant sur la touche SHIFT dans le mode arrêt.

L'indicateur PGM est affiché.



2 Appuyer sur une des touches DISC DIRECT PLAY pour sélectionner un disque.

Le disque sélectionné est indiqué en rouge sur l'affichage.

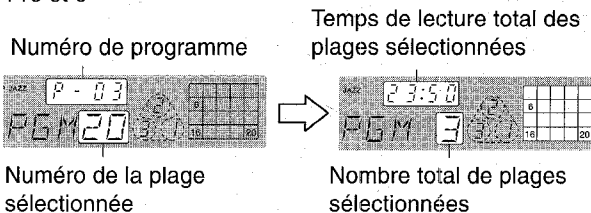
Passer à l'étape suivante quand le plateau arrête de tourner.

3 A l'aide des touches numériques et de la touche +10, programmer une plage.

Exemple:

Pour sélectionner la vingt-cinquième plage, appuyer sur les touches +10, +10 et 5.



Pour sélectionner la dixième plage, appuyer sur les touches +10 et 0




4 Répéter les étapes 2 et 3 pour programmer d'autres plages.

5 Appuyer sur la touche pour démarrer la lecture.

Pour contrôler le programme

A chaque pression sur la touche  ou  en mode arrêt, un numéro de disque, un numéro de plage et un numéro de programme sont affichés.

Pour effacer le programme

Appuyer sur la touche  CLEAR dans le mode arrêt.


Pour ajouter des plages au programme

Répéter les étapes 2 et 3 dans le mode arrêt. La plage sera programmée à la suite de la dernière plage.

Pour changer les plages programmées

Effacer le programme puis répéter toutes les étapes.

Pour lire les plages programmées à plusieurs reprises

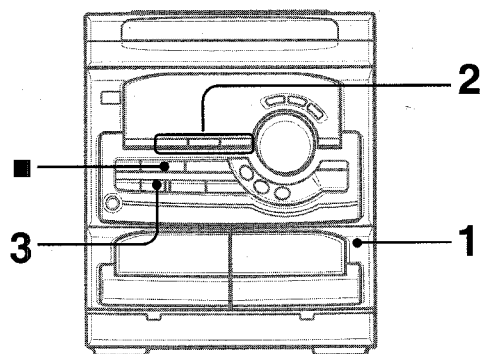
Après la programmation des plages, appuyer sur la touche RANDOM/REPEAT à plusieurs reprises jusqu'à ce que  apparaisse sur l'affichage.

REMARQUE

Pendant la lecture programmée, la lecture aléatoire, le contrôle du temps restant et la sélection d'un disque ou d'une plage sont impossibles.

ENREGISTREMENT DE BASE

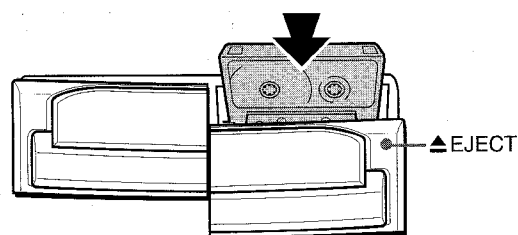
Cette partie explique comment enregistrer à partir du tuner, du lecteur de disques compacts ou d'un appareil externe.



Préparation

- Utiliser seulement des cassettes de type I (normales).
- Bobiner la cassette jusqu'à l'endroit où on veut démarrer l'enregistrement.
- Remarquer que l'enregistrement ne sera fait que sur une face de la cassette.

- 1 Insérer la cassette à enregistrer dans la platine 2.**
Insérer la cassette avec la face à enregistrer en premier orientée vers l'extérieur de l'appareil.



- 2 Appuyer sur une des touches de fonction et préparer la source à partir de laquelle on veut enregistrer.**

Pour enregistrer à partir d'un disque compact, appuyer sur la touche CD et mettre le(s) disque(s) en place.

Pour enregistrer une émission de radio, appuyer sur la touche TUNER et accorder sur une station.

Pour enregistrer à partir d'une source connectée, appuyer sur la touche VIDEO/AUX et mettre la source en lecture.

- 3 Appuyer sur la touche ● REC pour démarrer l'enregistrement.**

Quand la fonction sélectionnée est CD, la lecture et l'enregistrement démarrent simultanément.

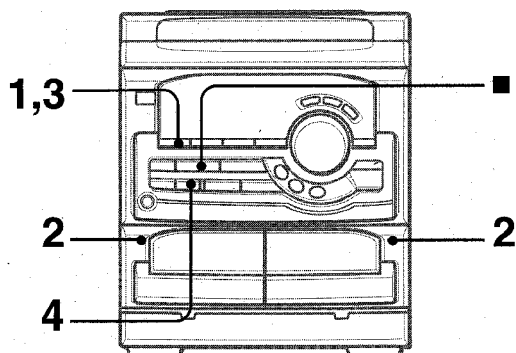
Pour arrêter l'enregistrement, appuyer sur la touche ■.

Pour mettre l'enregistrement en pause, appuyer sur la touche II. (Applicable quand la source est TUNER ou VIDEO/AUX.)
Pour reprendre l'enregistrement, appuyer de nouveau sur cette touche.

Pour effacer un enregistrement

- 1 Insérer la cassette à effacer dans la platine 2 et appuyer sur la touche TAPE/DECK 1/2 pour afficher "TAPE 2".
- 2 Bobiner la cassette jusqu'à l'endroit où on veut démarrer l'effacement.
- 3 Appuyer sur la touche ● REC pour démarrer l'effacement.

DUPLICATION MANUELLE D'UNE CASSETTE



REMARQUE

- Bobiner la cassette jusqu'à l'endroit où on veut démarrer l'enregistrement.
- Remarquer que l'enregistrement ne sera fait que sur une face de la cassette.

1 Appuyer sur la touche TAPE.

2 Insérer la cassette originale dans la platine 1 et la cassette à enregistrer dans la platine 2.

Insérer chaque cassette avec la face à lire ou à enregistrer orientée vers l'extérieur de l'appareil.

3 Appuyer sur la touche TAPE/DECK 1/2 pour sélectionner la platine 1.

"TAPE 1" est affiché.

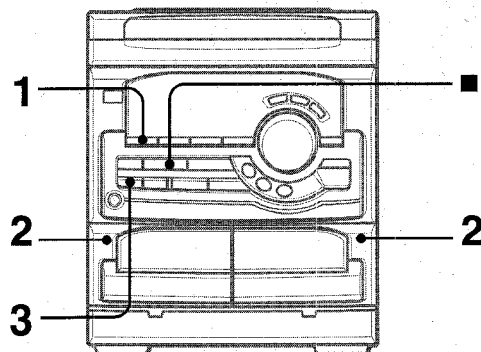
4 Appuyer sur la touche ● REC pour démarrer l'enregistrement.

La lecture et l'enregistrement démarrent simultanément.

Pour arrêter la duplication

Appuyer sur la touche ■.

DUPLICATION DE LA TOTALITE D'UNE CASSETTE



Cette fonction permet de faire des copies exactes de la cassette originale.

REMARQUE

- La duplication ne démarre pas à un point situé au milieu d'une face.
- Remarquer que l'enregistrement ne sera fait que sur une face de la cassette.

1 Appuyer sur la touche TAPE.

2 Insérer la cassette originale dans la platine 1 et la cassette à enregistrer dans la platine 2.

Insérer chaque cassette avec la face à lire ou à enregistrer orientée vers l'extérieur de l'appareil.

3 Appuyer sur la touche SYNC DUB pour démarrer l'enregistrement.

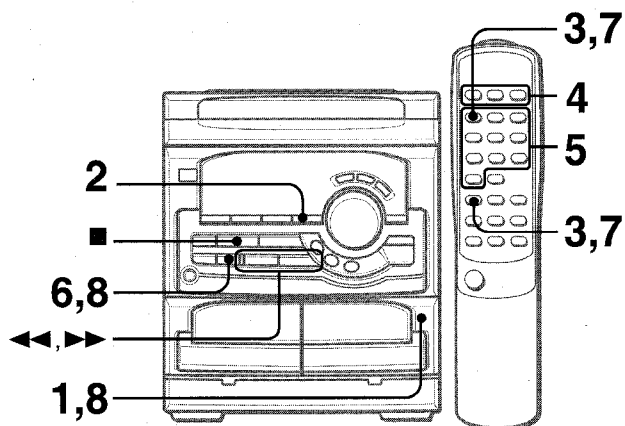


Les cassettes sont rebobinées jusqu'au début de leurs faces avant, puis l'enregistrement démarre.

Pour arrêter la duplication

Appuyer sur la touche ■.

ENREGISTREMENT AVEC MONTAGE ET CALCUL DU TEMPS



La fonction montage et calcul du temps permet d'enregistrer à partir de disques compacts sans se préoccuper de la durée de la cassette et des durées des plages. Quand on met un disque compact en place, l'appareil calcule automatiquement la durée totale des plages. Si nécessaire, l'ordre des plages est changé de manière qu'aucune plage ne soit tronquée. (AI: Intelligence Artificielle)

REMARQUE

L'enregistrement avec montage et calcul du temps ne démarrera pas à un point situé au milieu d'une face. La cassette doit être enregistrée à partir du début d'une de ses faces.

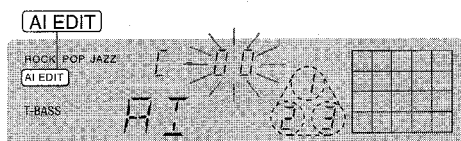
1 Insérer la cassette dans la platine 2.

Insérer la cassette avec la face à enregistrer en premier orientée vers l'extérieur de l'appareil.

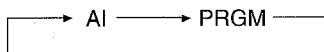
2 Appuyer sur la touche CD et mettre le(s) disque(s) en place.

3 Appuyer une fois sur la touche EDIT/CHECK tout en appuyant sur la touche SHIFT de la télécommande.

"AI EDIT" est entouré de rouge et AI est affiché.



A chaque pression sur les touches, l'affichage change comme suit.



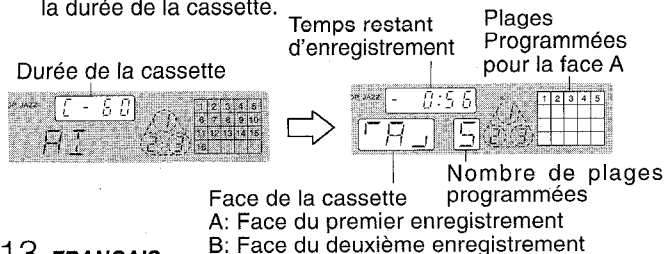
4 Appuyer sur une des touches DISC DIRECT PLAY pour sélectionner un disque.

5 A l'aide des touches numériques de la télécommande, spécifier la durée de la cassette.

On peut spécifier une durée de 10 à 99 minutes. Exemple: Quand on utilise une cassette de 60 minutes, appuyer sur les touches 6 et 0.

En quelques secondes, le micro-ordinateur programme les plages à enregistrer sur chaque face de la cassette.

- On peut aussi utiliser les touches ◀ et ▶ pour spécifier la durée de la cassette.



6 Appuyer sur la touche ● REC pour démarrer l'enregistrement sur la première face.

La cassette est rebobinée jusqu'au début de la première face, l'amorce est lue pendant dix secondes, puis l'enregistrement démarre. Une fois que l'enregistrement de la dernière plage programmée pour la face A est terminé, la platine 2 se met en mode arrêt d'enregistrement. Passer alors à l'étape 7.

7 Appuyer sur la touche EDIT/CHECK tout en appuyant sur la touche SHIFT de la télécommande pour afficher le programme du deuxième enregistrement.

B est affiché.

8 Retourner la cassette de la platine 2 puis appuyer sur la touche ● REC pour démarrer l'enregistrement sur la deuxième face.

Pour arrêter l'enregistrement

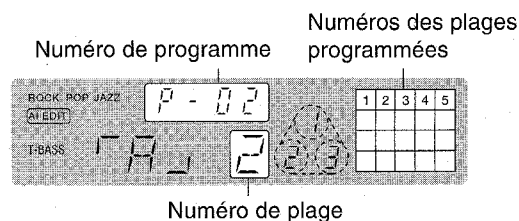
Appuyer sur la touche ■. L'enregistrement de la cassette et la lecture du disque compact s'arrêtent simultanément.

Pour effacer le programme du montage

Appuyer deux fois sur la touche ■ CLEAR de manière que le trait rouge entourant "AI EDIT" disparaisse de l'affichage.

Pour contrôler l'ordre des numéros des plages programmées

Avant l'enregistrement, appuyer sur la touche EDIT/CHECK tout en appuyant sur la touche SHIFT de la télécommande pour sélectionner la face A ou B, puis appuyer sur la touche ◀ ou ▶ à plusieurs reprises.



Pour ajouter des plages d'autres disques au programme du montage

S'il reste du temps sur la cassette après l'étape 5, on peut ajouter des plages des autres disques situés dans le compartiment.

1 Appuyer sur la touche EDIT/CHECK tout en appuyant sur la touche SHIFT de la télécommande pour sélectionner la face A ou B.

2 Appuyer sur une des touches DISC DIRECT PLAY pour sélectionner un disque.

3 Sélectionner les plages à l'aide des touches numériques de la télécommande.

Une plage dont la durée de lecture est supérieure au temps restant ne peut pas être programmée.

4 Pour ajouter d'autres plages, répéter les étapes 2 et 3.

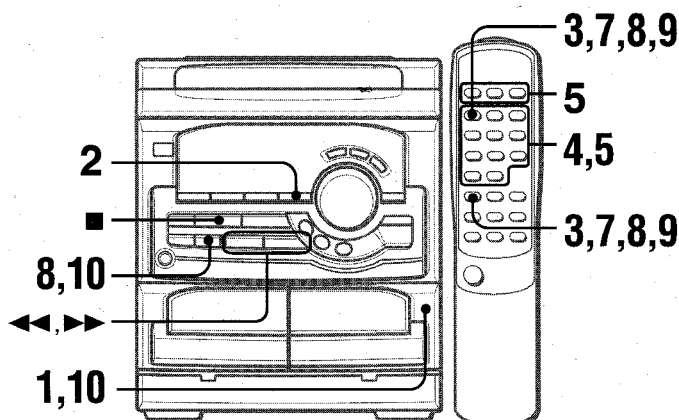
Durée des cassettes et temps du montage

La durée d'une cassette est généralement supérieure à celle indiquée sur l'étiquette. Cet appareil peut programmer des plages pour utiliser le temps en excès. Quand la durée totale d'enregistrement est légèrement supérieure à la durée spécifiée pour la cassette après le montage, l'affichage indique le temps en excès (sans signe moins) au lieu du temps restant (avec le signe moins).

REMARQUE

La fonction montage et calcul du temps ne peut pas être utilisée avec les disques contenant 31 plages ou plus.

ENREGISTREMENT AVEC MONTAGE PROGRAMME

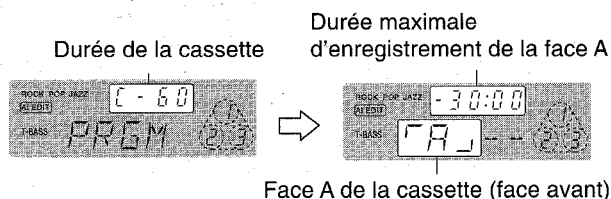


La fonction montage programmé permet d'enregistrer à partir de disques compacts tout en contrôlant le temps restant sur chaque face de la cassette au fur et à mesure de la programmation des plages.

REMARQUE

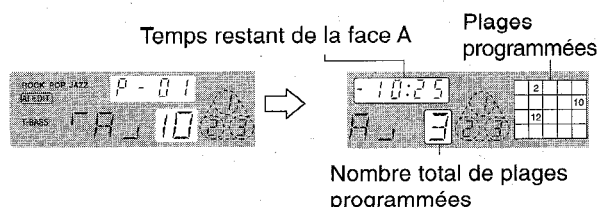
L'enregistrement avec montage programmé ne démarrera pas à un point situé au milieu d'une face. La cassette doit être enregistrée à partir du début d'une de ses faces.

- 1 Insérer la cassette dans la platine 2.
Insérer la cassette avec la face à enregistrer en premier orientée vers l'extérieur de l'appareil.
- 2 Appuyer sur la touche CD et mettre le(s) disque(s) en place.
- 3 Appuyer deux fois sur la touche EDIT/CHECK tout en appuyant sur la touche SHIFT de la télécommande.
"AI EDIT" est entouré de rouge et PRGM est affiché.
- 4 A l'aide des touches numériques de la télécommande, spécifier la durée de la cassette.
On peut spécifier une durée de 10 à 99 minutes.

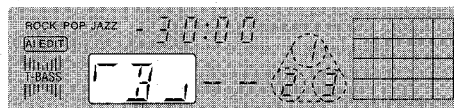


- 5 Appuyer sur une des touches DISC DIRECT PLAY pour sélectionner un disque.
Ensuite, programmer une plage à l'aide des touches numériques et de la touche +10 de la télécommande.

Exemple: pour sélectionner la dixième plage du disque 2, appuyer sur la touche DISC DIRECT PLAY 2, puis appuyer sur les touches +10 et 0.



- 6 Répéter l'étape 5 pour le reste des plages de la face A.
Une plage dont la durée de lecture est supérieure au temps restant ne peut pas être programmée.
- 7 Appuyer sur la touche EDIT/CHECK tout en appuyant sur la touche SHIFT de la télécommande pour sélectionner la face B, puis programmer les plages pour cette face.
Après s'être assuré que B est affiché, répéter l'étape 5.



Face B de la cassette (face arrière)

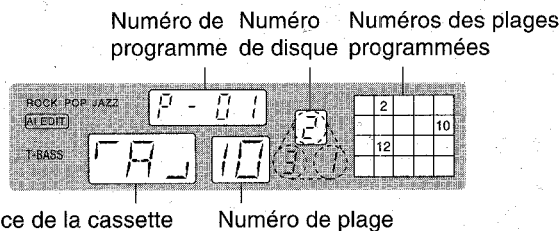
- 8 Appuyer sur la touche EDIT/CHECK tout en appuyant sur la touche SHIFT pour sélectionner la face A, puis appuyer sur la touche ● REC pour démarrer l'enregistrement.
La lecture de disque compact et l'enregistrement des plages montées pour la première face démarrent simultanément. Une fois que l'enregistrement de la dernière plage programmée pour la face A est terminé, la platine 2 se met en mode arrêt d'enregistrement. Passer alors à l'étape 9.
- 9 Appuyer sur la touche EDIT/CHECK tout en appuyant sur la touche SHIFT de la télécommande pour l'enregistrement de la deuxième face B est affiché.
- 10 Retourner la cassette de la platine 2 puis appuyer sur la touche ● REC pour démarrer l'enregistrement.
L'enregistrement démarre.

Pour arrêter l'enregistrement

Appuyer sur la touche ■. L'enregistrement de la cassette et la lecture du disque compact s'arrêtent simultanément.

Pour contrôler l'ordre des numéros des plages programmées

Avant l'enregistrement, appuyer sur la touche EDIT/CHECK tout en appuyant la touche SHIFT de la télécommande pour sélectionner la face A ou B, puis appuyer sur la touche ◀◀ ou ▶▶ à plusieurs reprises.



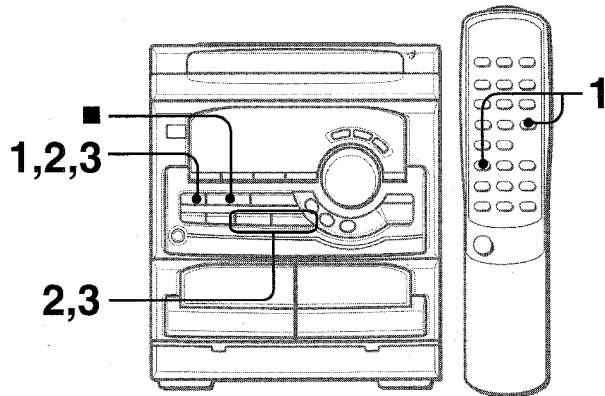
Pour changer le programme de chaque face

Appuyer sur la touche EDIT/CHECK tout en appuyant sur la touche SHIFT de la télécommande pour sélectionner la face A ou B, puis appuyer sur la touche ■ CLEAR pour effacer le programme de la face sélectionnée. Ensuite, reprogrammer des plages.

Pour effacer le programme du montage

Appuyer deux fois sur la touche ■ de manière que le trait rouge entourant "AI EDIT" disparaisse de l'affichage.

REGLAGE DE L'HORLOGE



1 Appuyer sur la touche CLOCK tout en appuyant sur la touche SHIFT de la télécommande, puis appuyer sur la touche ■ SET dans les quatre secondes qui suivent.



2 Appuyer sur la touche ◀ DOWN ou ▶ UP pour spécifier les heures, puis appuyer sur la touche ■ SET pour les régler.

Les heures arrêtent de clignoter et les minutes se mettent à clignoter.

3 Appuyer sur la touche ◀ DOWN ou ▶ UP pour spécifier les minutes, puis appuyer sur la touche ■ SET pour les régler.

Les minutes arrêtent de clignoter sur l'affichage et l'horloge démarre à 00 seconde.

Pour afficher l'heure courante

Appuyer sur la touche CLOCK tout en appuyant sur la touche SHIFT de la télécommande. L'heure est affichée pendant quatre secondes.

Toutefois, l'heure ne peut pas être affichée pendant l'enregistrement.

Pour passer au format de 24 heures

Appuyer sur la touche CLOCK tout en appuyant sur la touche SHIFT de la télécommande puis appuyer sur la touche ■ dans les quatre secondes qui suivent.

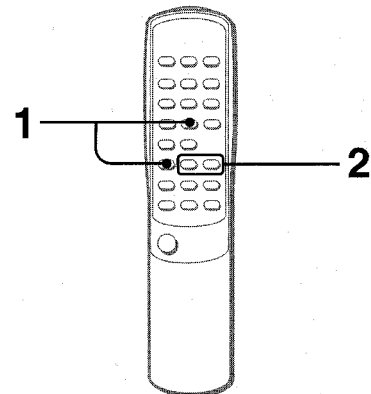
Pour revenir au format de 12 heures, procéder de la même manière.

Si l'affichage de l'horloge clignote

Ceci est dû à une interruption d'alimentation. L'heure courante doit être réglée de nouveau.

Si l'alimentation est interrompue pendant plus d'environ 24 heures, tous les réglages mémorisés après l'achat doivent être faits de nouveau.

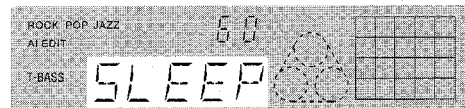
REGLAGE DE LA MINUTERIE D'ARRET



La minuterie d'arrêt permet de mettre l'appareil hors tension automatiquement au bout d'un temps spécifié.

Utiliser la télécommande.

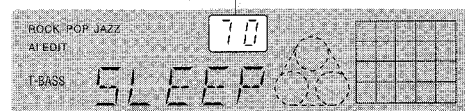
1 Appuyer sur la touche SLEEP tout en appuyant sur la touche SHIFT.



2 Dans les quatre secondes qui suivent, appuyer sur la touche ◀ ou ▶ pour spécifier le temps jusqu'à la mise hors tension.

A chaque pression sur la touche, le temps change entre 5 et 240 minutes par pas de 5 minutes.

Temps spécifié



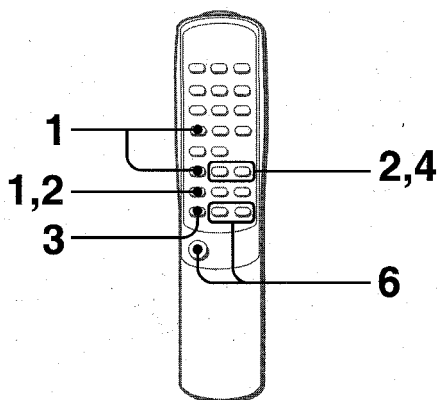
Pour contrôler le temps restant jusqu'à la mise hors tension

Appuyer une fois sur la touche SLEEP tout en appuyant sur la touche SHIFT. Le temps restant est affiché pendant quatre secondes.

Pour annuler la minuterie d'arrêt

Appuyer deux fois sur la touche SLEEP tout en appuyant sur la touche SHIFT de manière que "SLEEP" disparaisse de l'affichage.

REGLAGE DE LA MINUTERIE



Avec la minuterie intégrée, l'appareil peut être mis sous tension chaque jour à l'heure spécifiée.

Préparation

S'assurer que l'horloge est réglée correctement.

Utiliser la télécommande.

1 Appuyer une fois sur la touche TIMER tout en appuyant sur la touche SHIFT pour afficher ☉, puis appuyer sur la touche II SET dans les quatre secondes qui suivent.

☉ est affiché et les heures clignotent.



REMARQUE

Si on n'appuie pas sur la touche II SET dans les quatre secondes, une autre opération peut démarrer.

2 Spécifier les heures en appuyant sur la touche ◀ DOWN ou ▶ UP, puis appuyer sur la touche II SET pour les régler. Procéder de la même manière pour spécifier et régler les minutes.



Une fois que l'heure est spécifiée, un des noms de source clignote sur l'affichage pendant quatre secondes.

3 Pendant ces quatre secondes, appuyer sur la touche FUNCTION à plusieurs reprises pour sélectionner une source.

Le nom de la source sélectionnée clignote pendant quatre secondes.

- Si cette étape n'est pas terminée en quatre secondes, recommencer à partir de l'étape 1.
- Si le tuner est sélectionné, la gamme ne peut pas être sélectionnée à cette étape.

4 Dans les quatre secondes qui suivent, appuyer sur la touche ◀ DOWN ou ▶ UP pour sélectionner la durée de la mise sous tension par la minuterie.



La durée de la mise sous tension par la minuterie peut être réglée entre 5 et 240 minutes par pas de 5 minutes.

- Si cette étape n'est pas terminée en quatre secondes, recommencer à partir de l'étape 1.

5 Préparer la source.

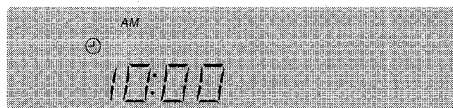
Pour écouter un disque compact, mettre le disque à lire en premier en place dans le plateau 1.

Pour écouter une cassette, la mettre en place dans la platine 1 ou 2.

Pour écouter la radio, l'accorder sur une station.

6 Après avoir réglé le volume et la tonalité, appuyer sur la touche POWER pour mettre l'appareil hors tension.

☉ reste sur l'affichage une fois que l'alimentation est coupée (mode attente de minuterie).



Quand l'heure de la mise sous tension par la minuterie est atteinte, l'appareil est mis sous tension et la lecture commence sur la source sélectionnée.

Quand on coupe l'alimentation alors que le niveau du volume est réglé à 17 ou plus, ce niveau est automatiquement réglé à 16.

Pour contrôler l'heure et la source spécifiées

Appuyer sur la touche TIMER tout en appuyant sur la touche SHIFT. L'heure de la mise sous tension par la minuterie, le nom de la source sélectionnée et la durée de la mise sous tension par la minuterie sont affichés pendant quatre secondes.

Pour annuler provisoirement le mode attente de minuterie

Appuyer sur la touche TIMER à plusieurs reprises tout en appuyant sur la touche SHIFT de manière que ☉ disparaisse de l'affichage.

Pour rétablir le mode attente de minuterie, appuyer de nouveau sur les touches pour afficher ☉.

Utilisation de l'appareil une fois que la minuterie est réglée

On peut utiliser l'appareil normalement après avoir réglé la minuterie.

Avant de couper l'alimentation, répéter l'étape 5 pour préparer la source, et régler le volume et la tonalité.

ENREGISTREMENT COMMANDE PAR LA MINUTERIE

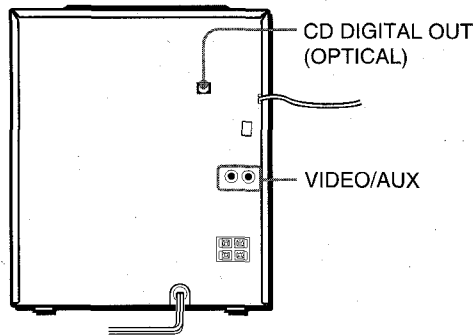
L'enregistrement commandé par la minuterie est applicable uniquement aux sources TUNER et VIDEO/AUX (avec une minuterie externe).

Appuyer sur la touche TIMER à plusieurs reprises tout en appuyant sur la touche SHIFT de manière que ☉ apparaisse sur l'affichage, puis appuyer sur la touche II SET dans les quatre secondes qui suivent. Répéter les étapes indiquées ci-dessus à partir de l'étape 2 et, après l'étape 5, insérer la cassette à enregistrer dans la platine 2.

REMARQUE

- La lecture et l'enregistrement commandés par la minuterie ne se feront pas si l'appareil n'est pas mis hors tension.
- L'appareil connecté ne peut pas être mis sous et hors tension par la minuterie intégrée de l'appareil principal. Utiliser une minuterie externe.

CONNEXION D'UN APPAREIL OPTIONNEL



Pour plus de détails, se reporter au mode d'emploi de l'appareil connecté.

- Les cordons de raccordement ne sont pas fournis. Se procurer les cordons nécessaires.
- Pour les appareils optionnels disponibles, consulter le distributeur Aiwa local.

PRISES VIDEO/AUX

Cet appareil peut recevoir des signaux sonores analogiques par ces prises.

Utiliser un câble à fiches phono RCA pour connecter un appareil audio (tourne-disque, lecteur de disque laser, lecteur de minidisque, magnétoSCOPE, téléviseur, etc.).

Connecter la fiche rouge à la prise R et la fiche blanche à la prise L.

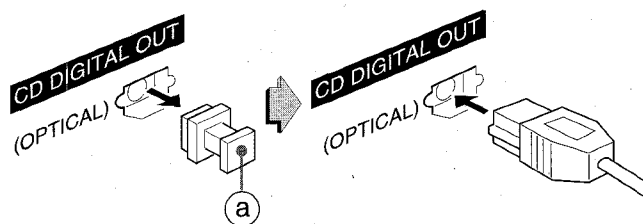
Pour connecter un tourne-disque

Utiliser un tourne-disque Aiwa muni d'un amplificateur à égaliseur intégré.

PRISE CD DIGITAL OUT (OPTICAL)

Cet appareil peut sortir les signaux sonores numériques de disque compact par cette prise. Utiliser un câble optique pour connecter un appareil audio numérique (amplificateur numérique, platine DAT, enregistreur de minidisque, etc.).

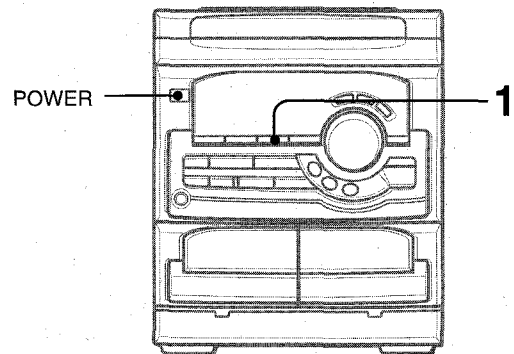
Enlever le capuchon antipoussière (a) de la prise CD DIGITAL OUT (OPTICAL). Ensuite, connecter la fiche d'un câble optique à cette prise.



Quand la prise CD DIGITAL OUT (OPTICAL) n'est pas utilisée

Mettre en place le capuchon antipoussière fourni.

ECOUTE DE SOURCES EXTERNES



Pour utiliser l'appareil connecté aux prises VIDEO/AUX, procéder de la manière suivante.

1 Appuyer sur la touche VIDEO/AUX.

VIDEO apparaît sur l'affichage.

2 Mettre l'appareil connecté en lecture.

Pour changer le nom de source sur l'affichage

Quand on appuie sur la touche VIDEO/AUX, VIDEO est affiché initialement. On peut remplacer ce nom par AUX ou TV.

L'appareil étant sous tension, appuyer sur la touche POWER tout en appuyant sur la touche VIDEO/AUX.

Répéter cette procédure pour sélectionner un des noms.

SOINS ET ENTRETIEN

Un entretien et des soins réguliers de l'appareil et des disques et cassettes sont nécessaires pour assurer un fonctionnement optimal.

Nettoyage du coffret

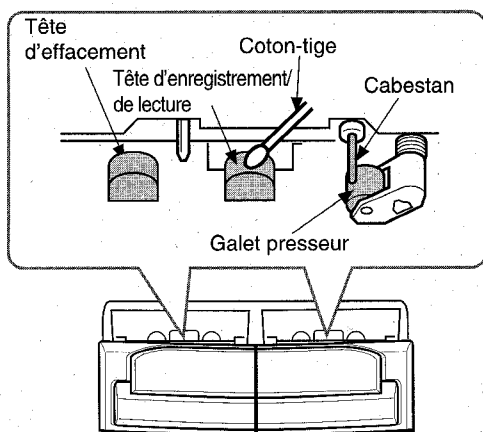
Utiliser un chiffon doux et sec.

Si l'appareil est extrêmement sale, utiliser un chiffon doux légèrement imbibé d'une solution détergente douce. Afin de ne pas altérer le fini de l'appareil, ne pas utiliser de solvants forts, tels que de l'alcool, de la benzine ou du diluant.

Nettoyage des têtes et des chemins de bande

Toutes les dix heures d'utilisation, nettoyer les têtes et les chemins de bande avec une cassette de nettoyage ou un coton-tige imbibé d'un liquide de nettoyage ou d'alcool dénaturé. (Des kits de nettoyage sont disponibles dans le commerce.)

Lors du nettoyage avec un coton-tige, essuyer la tête d'enregistrement/de lecture (platine 2 seulement), la tête d'effacement (platine 2 seulement), les cabestans et les galets presseurs.



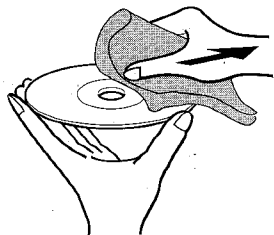
Après le nettoyage des têtes et des chemins de bande avec une cassette de nettoyage à liquide ou avec un coton-tige imbibé, attendre que les parties nettoyées soient complètement sèches avant de mettre des cassettes en place.

Pour démagnétiser les têtes

A la longue, les têtes peuvent devenir magnétisées. Ceci peut restreindre la plage de sortie des cassettes enregistrées et augmenter le bruit. A l'aide d'un dispositif de démagnétisation disponible dans le commerce, démagnétiser les têtes toutes les 20 à 30 heures d'utilisation.

Soin des disques

- Si un disque est sale, l'essuyer du centre vers l'extérieur avec un chiffon de nettoyage.



- Après la lecture d'un disque, le ranger dans son étui. Ne pas laisser le disque dans un endroit chaud ou humide.

Soin des cassettes

- Après l'utilisation, ranger les cassettes dans leurs boîtes.
- Ne pas laisser les cassettes près d'un aimant, d'un moteur électrique, d'un téléviseur ou de toute autre source de champ magnétique. Cela diminuerait la qualité sonore et provoquerait du souffle.
- Ne pas exposer les cassettes au soleil ni les laisser dans un véhicule garé au soleil.

EN CAS DE PROBLEME

Si l'appareil ne fonctionne pas comme décrit dans ce mode d'emploi, contrôler le guide suivant.

GENERALITES

Il n'y a pas de son.

- Le cordon secteur est-il branché correctement?
- N'y a-t-il pas une mauvaise connexion? (→ page 3)
- Il y a peut-être un court-circuit dans les bornes d'enceinte.
 - Débrancher le cordon secteur puis corriger les connexions d'enceinte.
- Une touche de fonction incorrecte n'est-elle pas en service?

Le son ne sort que par une enceinte.

- L'autre enceinte n'est-elle pas déconnectée?

Un affichage ou un fonctionnement erroné se produit.

- Réinitialiser l'appareil comme indiqué ci-dessous.

PARTIE TUNER

Il y a des charges statiques constantes en forme d'onde.

- L'antenne est-elle raccordée correctement? (→ page 3)

La réception présente des parasites ou le son présente de la distorsion.

- Le système ne capte-t-il pas des bruits extérieurs ou des ondes réfléchies?
 - Changer l'orientation de l'antenne.
 - Eloigner l'appareil d'autres appareils électriques.

PARTIE MAGNETOCASSETTE

La bande ne défile pas.

- La platine 2 n'est-elle pas en mode pause? (→ page 8)

Le son est déséquilibré ou trop faible.

- La tête de lecture n'est-elle pas sale? (→ page 18)

L'enregistrement est impossible.

- Un ergot de sécurité de la cassette n'est-il pas absent? (→ page 8)
- La tête d'enregistrement n'est-elle pas sale? (→ page 18)

L'effacement est impossible.

- La tête d'effacement n'est-elle pas sale? (→ page 18)
- Une cassette au métal n'est-elle pas utilisée?

Il n'y a pas de sons aigus.

- La tête d'enregistrement/de lecture n'est-elle pas sale? (→ page 18)

PARTIE LECTEUR DE DISQUES COMPACTS

La lecture ne fonctionne pas.

- Le disque est-il correctement mis en place? (→ page 9)
- Le disque n'est-il pas sale? (→ page 18)
- N'y a-t-il pas de la condensation sur la lentille?
 - Attendre environ une heure puis essayer de nouveau.

Pour réinitialiser

Si une anomalie apparaît sur la fenêtre d'affichage ou dans le magnétocassette, réinitialiser l'appareil de la manière suivante.

- 1 Appuyer sur la touche POWER pour couper l'alimentation.
- 2 Appuyer sur la touche POWER tout en appuyant sur la touche ■ CLEAR pour remettre l'appareil sous tension. Toutes les données mémorisées après l'achat sont effacées.

Si à l'étape 1 l'alimentation ne peut pas être coupée du fait d'une anomalie, réinitialiser en débranchant le cordon secteur puis le rebrancher. Ensuite, effectuer l'étape 2.

SPECIFICATIONS

Appareil principal CX-NA22

Partie tuner FM

Plage d'accord 87,5 MHz à 108 MHz
Antenne Antenne fil

Partie tuner AM

Plage d'accord 530 kHz à 1710 kHz (pas de 10 kHz)
531 kHz à 1602 kHz (pas de 9 kHz)

Sensibilité utile 350 μ V/m
Antenne Antenne cadre

Partie amplificateur

Puissance de sortie 20 W +20 W (de 50 Hz à 20 kHz, DHT inférieure à 1%, 6 ohms)

Distorsion harmonique totale 0,2% (10 W, 1 kHz, 6 ohms, AUDIO DIN)

Entrées VIDEO/AUX: 400 mV (réglable)
Sorties SPEAKERS: acceptent des enceintes de 6 ohms ou plus
PHONES (prise stéréo): accepte un casque de 32 ohms ou plus

Partie magnétocassette

Format de piste 4 pistes, 2 canaux stéréo
Réponse en fréquence 50 Hz – 10000 Hz
Système d'enregistrement Polarisation CA
Têtes 1 tête de lecture (platine 1)
1 tête d'enregistrement/de lecture, 1 tête d'effacement (platine 2)

Partie lecteur de disques compacts

Laser Laser à semi-conducteurs ($\lambda = 780$ nm)
Convertisseur N/A 1 bit, double
Rapport signal/bruit 85 dB (1 kHz, 0 dB)
Distorsion harmonique 0,05% (1 kHz, 0 dB)
Pleurage et scintillement En deçà du seuil mesurable

Généralités

Alimentation électrique Secteur 120 V, 60 Hz
Consommation électrique 53 W
Dimensions de l'appareil principal (L x H x P) 260 x 308,3 x 350 mm
Poids de l'appareil principal 4,8 kg

Enceintes acoustiques SX-NA22

Type de caisson 2 voies, bass-reflex (Type à blindage magnétique)
Haut-parleurs Haut-parleur de grave: cône de 120 mm
Haut-parleur d'aigu: céramique 10 mm
6 ohms
Impédance 6 ohms
Niveau de pression acoustique de sortie 87 dB/W/m
Dimensions (L x H x P) 240 x 304 x 250 mm
Poids 2,7 kg

Les spécifications et l'aspect extérieur peuvent être modifiés sans préavis.

DROITS D'AUTEUR

Prière de vérifier les lois sur la propriété artistique relatives à l'enregistrement de disques, de la radio ou de cassettes dans le pays d'utilisation de l'appareil.

PARTS INDEX

Instructions about each part on the main unit or remote control are indicated on the right side. The parts are listed in alphabetical order.

INDICE DE LAS PARTES

Las instrucciones de cada parte de la unidad principal o del control remoto se indican a la derecha. Las partes se indican en orden alfabético.

NOMENCLATURE

Les instructions concernant chaque partie de l'appareil principal ou de la télécommande se trouvent aux pages indiquées ci-contre. Les parties sont indiquées dans l'ordre alphabétique.

BAND	6, 7
CD	9
■ CLEAR	7, 8, 9, 10, 11, 12, 13, 14, 15
CLOCK	15
▶ PRESET	7, 8, 9, 10
DISC CHANGE	9
DISC DIRECT PLAY	9, 10, 13, 14
◀◀ DOWN	7, 8, 9, 10, 13, 14, 15, 16
EDIT/CHECK	9, 13, 14
GEQ	6
GRAPHIC EQUALIZER (ROCK, POP, JAZZ)	6
MONO TUNER	6
▲ OPEN/CLOSE	9
PHONES	5
POWER	5
PRGM	10
RANDOM/REPEAT	10
● REC	11, 13, 14
■ SET	7, 8, 9, 15, 16
SHIFT	4, 5, 6, 7, 8, 9, 13, 14, 15, 16
SLEEP	15
SYNC DUB	12
TAPE/DECK 1/2	8, 12
T-BASS	5
TIMER	16
TUNER/BAND	6, 7, 11
▶▶ UP	7, 8, 9, 10, 13, 14, 15, 16
VIDEO/AUX	17
VOLUME	5
0-9, +10	7, 9, 10, 13, 14

For assistance and information

call toll free 1-800-BUY-AIWA (United States and Puerto Rico)

Free Manuals Download Website

<http://myh66.com>

<http://usermanuals.us>

<http://www.somanuals.com>

<http://www.4manuals.cc>

<http://www.manual-lib.com>

<http://www.404manual.com>

<http://www.luxmanual.com>

<http://aubethermostatmanual.com>

Golf course search by state

<http://golfingnear.com>

Email search by domain

<http://emailbydomain.com>

Auto manuals search

<http://auto.somanuals.com>

TV manuals search

<http://tv.somanuals.com>