



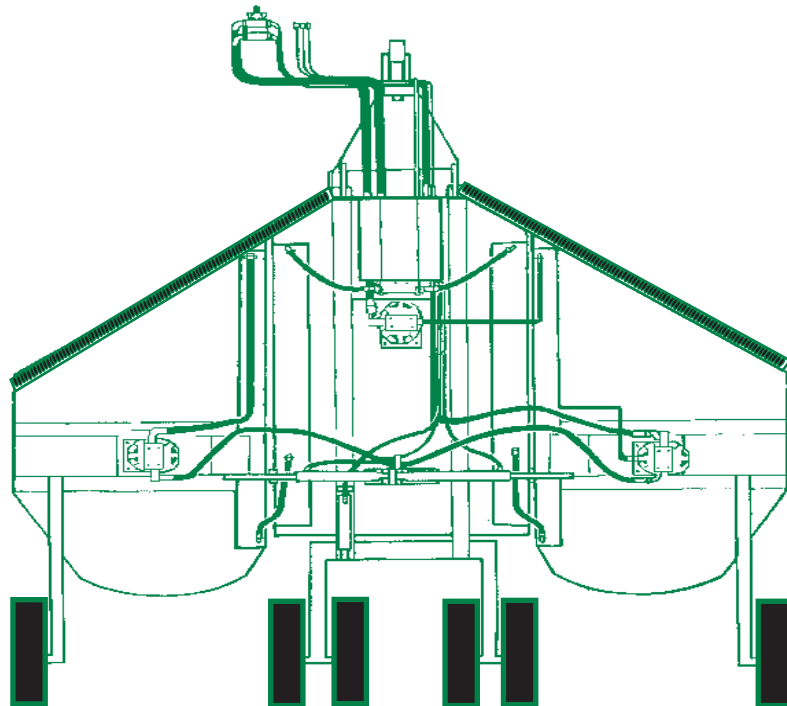
# HYDRO-15

HYDRAULIC FLEX WING  
ROTARY MOWER

Rev 01-11

Part No. 00756179P

## PART'S MANUAL



**¡ATENCIÓN!** LEA EL INSTRUCTIVO

Si No Lee Ingles, Pida Ayuda a Alguien  
Que Si Lo Lea Para Que le Traduzca las  
Medidas de Seguridad.



An Operator's Manual was shipped with the equipment in the Manual Canister. This Operator's Manual is an integral part of the safe operation of this machine and must be maintained with the unit at all times. **READ, UNDERSTAND, and FOLLOW** the Safety and Operation Instructions contained in this manual before operating the equipment. If the Operator's Manual is not with the equipment, contact your dealer or Alamo Industrial (800-356-6286) to obtain a Free copy before operating the equipment.

**ALAMO INDUSTRIAL**

1502 E. Walnut  
Seguin, Texas 78155  
210-372-3551



© 2011 Alamo Group Inc.

# TO THE OWNER/OPERATOR/DEALER

All implements with moving parts are potentially hazardous. There is no substitute for a cautious, safe-minded operator who recognizes the potential hazards and follows reasonable safety practices. The manufacturer has designed this implement to be used with all its safety equipment properly attached to minimize the chance of accidents.

**BEFORE YOU START!!** Read the safety messages on the implement and shown in your manual.  
Observe the rules of safety and common sense!

## ! DANGER

**FAILING TO FOLLOW SAFETY MESSAGES AND OPERATING INSTRUCTION CAN CAUSE SERIOUS BODILY INJURY OR EVEN DEATH TO OPERATOR AND OTHERS IN THE AREA.**

<p>1.</p> 	<p>2. NO RIDERS. NO CHILDREN OPERATORS.</p> 	<p>3. USE SAFETY SHOES, HARD HAT, SAFETY GLASSES, SEAT BELTS, ROPS &amp; OPS.</p> 	<p>4. BLOCK UP SECURELY BEFORE WORKING UNDER.</p> 
---	---	--	---

1. Study and understand Operator's Manuals, Safety Decals, and Instructional Decals for tractor and implement to prevent misuse, abuse, and accidents. Practice before operating in a confined area or near passersby.
  - Learn how to stop engine suddenly in an emergency. Be alert for passersby and especially children.
2. Allow no children on or near folding mower or tractor. Allow no riders on tractor or implement. Falling off may cause serious injury or death from being run over by tractor or mower or contact with rotating blades.
3. Operate only with tractor having Roll-Over Protective Structure (ROPS) and with seat belt securely fastened to prevent injury and possible death from falling off or tractor overturn.
  - Personal Protective Equipment such as Hard Hat, Safety Glasses, Safety Shoes, & Ear Plugs are recommended.
4. Block up or support raised machine and all lifted components securely before putting hands or feet under or working underneath any lifted component to prevent crushing injury or death from sudden dropping or inadvertent operation of controls. Make certain area is clear before lowering or folding.
5. Before transporting, put Lift Lever in detent or full-lift position. Install Transport Safety Devices securely on folding mowers. Put Booms securely in Transport Rest.
  - Folding and Boom Mowers have raised center of gravity. Slow down when turning and on hillsides.
6. Make certain that SMV sign, warning lights, and reflectors are clearly visible. Follow local traffic codes.
7. Never operate with Cutting Head or Folding Section raised if passersby, bystanders, or traffic are in the area to reduce possibility of injury or death from objects thrown by Blades under Guards or mower structure.
8. Before dismounting, secure implement in transport position or lower to ground.
  - Put tractor in park or set brake, disengage PTO, stop engine, remove key, and wait until noise of rotation has ceased to prevent crushing by entanglement in rotating parts which could cause injury or death.
  - Never mount or dismount a moving vehicle. Crushing from runover may cause serious injury or death.

<p>5. TRANSPORT SAFELY, LOCK UP.</p> 	<p>6. USE SMV, LIGHTS, &amp; REFLECTORS.</p> 	<p>7. DO NOT OPERATE WITH CUTTER OR WING RAISED</p> 	<p>8. DO NOT MOUNT OR DISMOUNT WHILE MOVING.</p> 
--	--	--	--

02967827

## WARRANTY INFORMATION:

Read and understand the complete Warranty Statement found in this Manual. Fill out the Warranty Registration Form in full and return it within 30 Days. Make certain the Serial Number of the Machine is recorded on the Warranty Card and on the Warranty Form that you retain. The use of "will-fit" parts will void your warranty and can cause catastrophic failure with possible injury or death.

# BOLT TORQUE

Mounting procedures for mowers will require a significant amount of bolt nut and washer installation.

Frame and structure mounting bolts should be installed using *Red Loctite*, and torqued to the dry values listed in the torque chart based on the bolt size and hardness.

Other structures such as pump mounting bolts should be installed with *Blue Loctite* and torqued to the dry values indicated in the chart.

Bolt tightness should be completed with and checked with a suitable torque wrench.

Torque checks should be completed throughout the life of the mower in accordance with the maintenance chart provided in this manual.



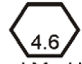
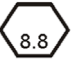
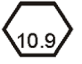

Loose bolts on a frame or in a casting may be a result of:

- Vibration from the mower due to imbalance of the mower blades
- Pulled threads due to over tightening
- Distortion of the hole due to under tightening during installation

Bolts broken or sheared in the mounting structure or tractor may be the result of:

- Improper alignment of the Mounting Plate or Structure such that it is not sitting flat on the mating surface
- Distortion of the bolt due to over-tightening
- Under tightening of the bolts

Check the bolt torque during installation and prior to delivery with a suitable torque wrench.

Proper Torque Values for Standard Bolts			Proper Torque Values for Metric Bolts				
Bolt Diameter			Bolt Diameter				
	Head Marking Three Lines Grade Five	Head Marking Six Lines Grade Eight		Head Marking 4.6	Head Marking 8.8 or 9.8	Head Marking 10.9	Head Marking 12.9
	Pound - Foot Value Dry	Pound - Foot Value Dry		Pound - Foot Value Dry	Pound - Foot Value Dry	Pound - Foot Value Dry	Pound - Foot Value Dry
1/4"	7	10	6mm	3	7	9	10
5/16"	15	22	8mm	6.2	16	23	24
3/8"	26	39	10mm	12	32	45	47
7/16"	42	60	12mm	21	55	79	81
1/2"	64	88	14mm	34	88	126	130
9/16"	100	134	16mm	53	137	196	202
5/8"	128	180	18mm	73	189	270	279
3/4"	227	320	20mm	104	267	382	394
7/8"	365	515	22mm	141	364	520	537
1"	547	772	24mm	179	461	660	680
			27mm	262	676	968	998
			30mm	355	917	1312	1353

To get Newton-Meters multiply pound-foot of torque by 1.356

# **PARTS SECTION**



## PARTS ORDERING GUIDE

The following instructions are offered to help eliminate needless delay and error in processing purchase orders for the equipment in this section.

1. The Parts Section is prepared in logical sequence and grouping of parts that belong to the basic machine featured in this manual. Part Numbers and Descriptions are given to help locate the parts and quantities required.
2. The Purchase Order must include the name and address of the person or organization ordering the parts, who should be charged, and if possible, the serial number of the machine for which the parts are ordered.
3. The Purchase Order must clearly list the quantity of each part, the complete and correct part number (be sure to include all periods), and the basic name of the part.
4. The Manufacturer reserves the right to substitute parts where applicable.
5. Some parts are unlisted items which are special production items not normally stocked and are subject to special handling. Request a quotation for such parts before sending a Purchase Order.
6. The Manufacturer reserves the right to change prices without prior notice.



For maximum safety and to guarantee optimum product reliability, always use genuine Alamo Industrial Parts. The use of inferior replacement parts may cause premature or catastrophic failure which could result in serious injury or death. Direct any questions regarding parts to:

**ALAMO**  
INDUSTRIAL

**ALAMO INDUSTRIAL**  
1502 E. Walnut  
Seguin, Texas 78155  
830-379-1480



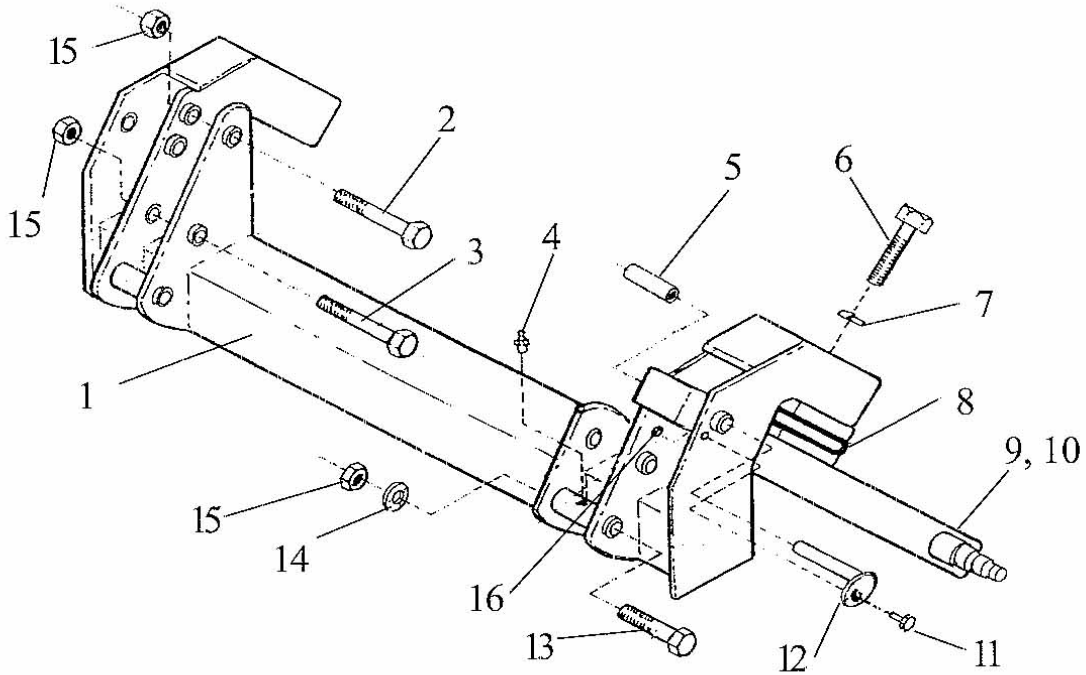
## PART NAME INDEX

AXLE ASY - CENTER SECTION.....	5
AXLE ASY - RH & LH WING SECTION.....	6
AXLE HYD SCHEMATIC - LEVEL LIFT OPTION.....	7
AXLE LEVEL LIFT CYL. - OPTION - P/N 8719, 8720 & 8721 (OLD STYLE).....	9
AXLE LEVEL LIFT CYL. - OPTION - P/N 8719B, 8720B & 8721B (NEW STYLE).....	11
AXLE LIFT CYL - CENTER AXLE - (STANDARD HYD AXLE LIFT).....	13
AXLE LIFT SCREW ASY - WING AXLES.....	14
AXLE SPRING SHOCK ASY - LH OR RH WING (OPTIONAL).....	15
BASIC MOWER ASY - 15 FT (PART 1).....	17
BASIC MOWER ASY - 15 FT (PART 2).....	19
BLADE CARRIER ASY - BAR - CTR & WINGS.....	21
BLADE CARRIER ASY - PAN - CENTER & WINGS.....	22
CHAIN GUARD ASY - FRONT CENTER SECTION - CENTER.....	23
CHAIN GUARD ASY - FRONT CENTER SECTION - SIDES.....	24
CHAIN GUARD ASY - FRONT WINGS - RH OR LH.....	25
CHAIN GUARD ASY - REAR CENTER SECTION.....	26
CHAIN GUARD ASY - REAR WINGS - RH OR LH.....	27
CONTROL ROD - TONGUE & AXLE LEVEL LIFT.....	28
CYL. WING LIFT & FOLD - P/N 00750398B.....	29
FILTER ASY - P/N 02964748.....	30
HOSE HANGER ASY.....	31
HYD CONTROL VALVE - 3 SPOOL - OPEN & CLOSED CENTER.....	32
HYD HOSE SCHEMATIC - PUMP & MOTOR - 10 FT. MOWER.....	33
HYD HOSE SCHEMATIC - PUMP & MOTOR - 15 FT. MOWER.....	34
HYD MOTOR & SPINDLE ASY - CENTER SECTION.....	35
HYD MOTOR & SPINDLE ASY - LH WING SECTION.....	37
HYD MOTOR & SPINDLE ASY - RH WING SECTION.....	39
HYD MOTOR PARTS - CENTER SECTION.....	41
HYD MOTOR PARTS - LH WING SECTION.....	42
HYD MOTOR PARTS - RH WING SECTION.....	43
HYD PUMP & HOSE ASY - TANDEM PUMP.....	44
HYD PUMP REPLACEMENT PARTS - P/N 02978484.....	45
HYD TANK ASY - P/N 02979348.....	47
RUBBER FLAP - REAR WINGS.....	49
SKID SHOES - CENTER & WING SECTIONS.....	50
SPEED INCREASER ASY - P/N 00751488.....	51
SPINDLE & HOUSING ASY - P/N 02960553B.....	53
TIRE & WHEEL ASSEMBLIES.....	55
TONGUE ASY & PARKING JACK - (STANDARD).....	57
TONGUE ASY & PARKING JACK - (SWIVEL OPTION).....	58

## PART NAME INDEX

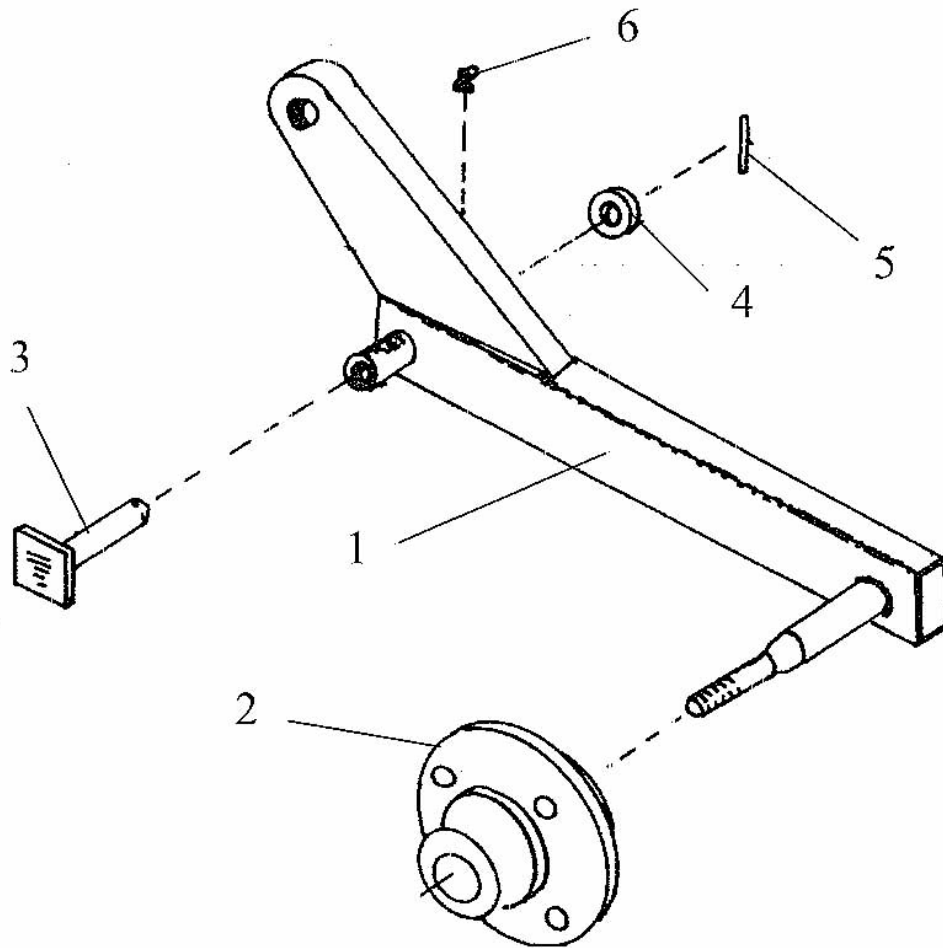
WHEEL HUB ASY - CENTER & WING AXLE.....	59
WINCH & CYL. SUPPORT STAND.....	60
WINCH ASY (WINCH REPLACEMENT PARTS).....	61
WING MOTOR MAGNETIC CUT OFF SWITCH ASY - S/N 01840 & UP.....	62
WIRING HARNESS - P/N 02979083 - S/N 01840 & UP.....	63

## AXLE ASY - CENTER SECTION



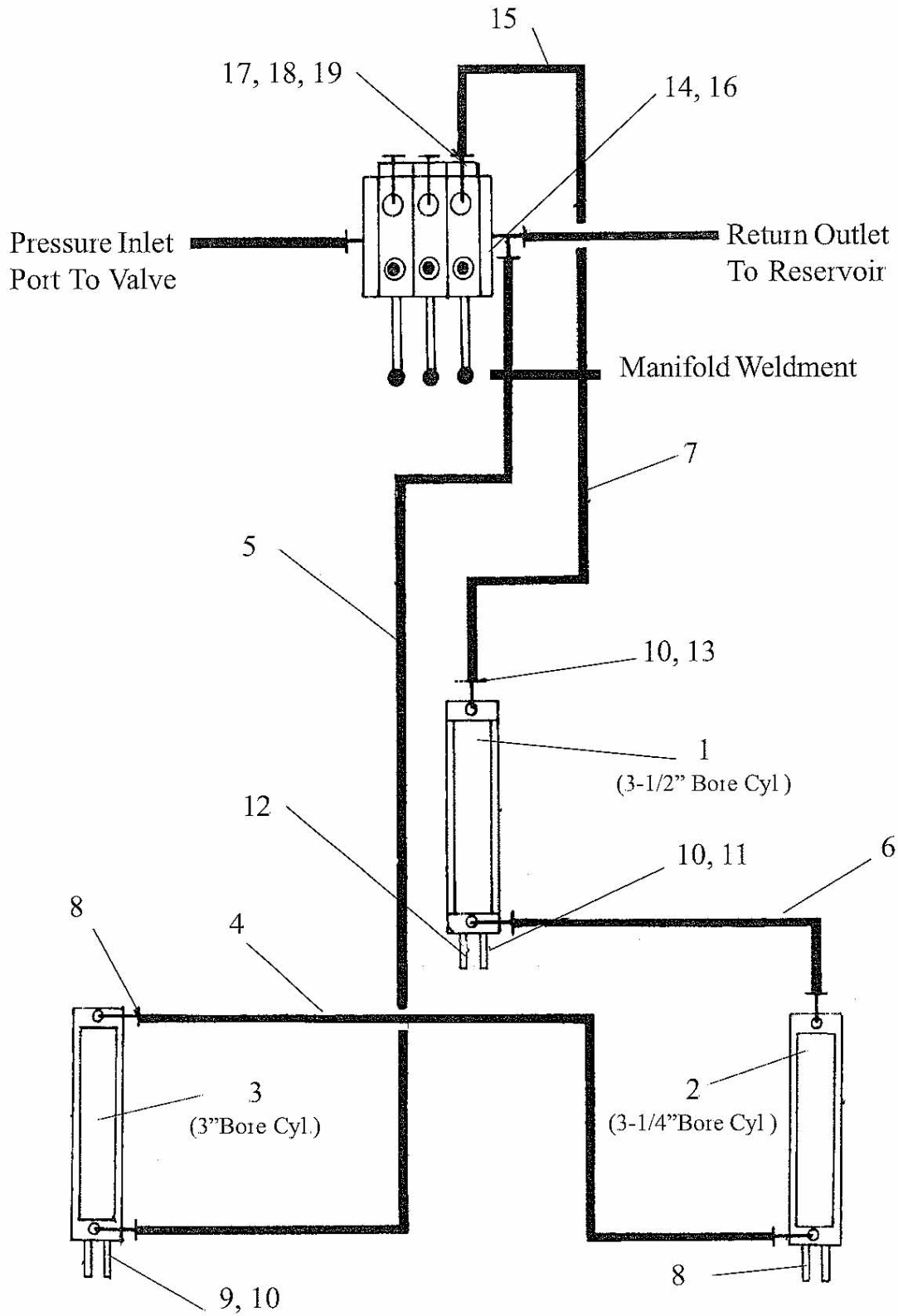
ITEM	PART NO.	QTY.	DESCRIPTION
1	00774965	1	CNTR AXLE WLD`MT (F/DUAL CNTRL RODS)
	00757648	1	CNTR AXLE WLD`MT (F/SNGL CNTRL ROD)
2	00755076	2	BOLT, HEX HEAD 1"-NC X 5-1/2" GR8
3	00755305	2	BOLT, HEX HEAD 1"-8UNC X 6" GR8
	00755305	3	BOLT, HEX HEAD 1"-8UNC X 6" GR8
4	00003500	2	GREASE FITTING, 1/8" STRAIGHT
5	00753803	2	BUSHING,CONNEX 1-1/4"OD X 1"ID X 3" LG
6	00752255	2	BOLT, HEX HEAD 1/2"-NF X 1" PL GR5
7	00001300	2	LOCKWASHER, 1/2" PL STD
8	00751035	2	DISC, RUBBER MOUNT
9	00757647	2	DUAL AXLE ARM WELDMENT
11	00748823	2	BOLT, HEX HEAD 1/2"-13UNC X 1-1/2" PL GR5
12	00757577	2	PIN, AXLE WLDMT
13	00016700	2	BOLT, HEX HEAD 1"-NC X 8" PL GR8
14	02822500	2	FLATWASHER, 1" PL STD
15	02030300	5	LOCKNUT, TOPLOCK 1"-NC PLB (WITH SINGLE LEVEL ROD)
	02030300	6	LOCKNUT, TOPLOCK 1"-NC PLB (WITH DUAL LEVEL RODS)
16	00001800	1	LOCKNUT, TOPLOCK 1/2"-NC PLB

## AXLE ASY - RH & LH WING SECTION



ITEM	PART NO.	QTY.	DESCRIPTION
1	00757692	1	AXLE ARM WLDMNT, RH WING
	00757691	1	AXLE ARM WLDMNT, LH WING
2	00757241	1	WHEEL HUB, PRE-ASY
3	00756700	1	PIN WLDMNT, AXLE PIVOT
4	15B1600	1	WASHER, 1" SAE PL
5	20BH5012	1	PIN, SPIRAL 5/16" X 1-1/2"
6	00752670	1	GREASE FITTING 1/4"-28 BOLT THD

# AXLE HYD SCHEMATIC - LEVEL LIFT OPTION



Hydro 10 and 15 ft (08-05) Rev 01-11

## AXLE HYD SCHEMATIC - LEVEL LIFT OPTION

Continued...

ITEM	PART NO.	QTY.	DESCRIPTION
1	8719B	1	CYL. ASY, 3-1/2" BORE (CNTR AXLE)
2	8720B	1	CYL. ASY, 3-1/4" BORE (RH WG AXLE)
3	7521B	1	CYL. ASY, 3" BORE (LH WG AXLE)
4	02965360	1	HOSE ASY, #6 - 6FJX - 6FJX - 202" LG
5	02981345	1	HOSE ASY, #6 - 6FJX - 6 FJX - 192" LG
	02979578	1	HOSE ASY, #6 - 6FJX - 6FJX - 166" LG
6	02979579	1	HOSE ASY, #6 - 6FJX - 6FJX - 94" LG
7	02979575	1	HOSE ASY, #6 - 6FJX - 6FJX - 104" LG
8	94517	6	ADAPTER, HYD ELBOW SWIVEL
9	00609200	6	BOLT, HEX HEAD 1"-NC X 4" GR5
10	02030300	6	LOCKNUT, TOPLOCK 1"-NC PLB
11	00755305	1	BOLT, HEX HEAD 1"-8UNC X 6" LG GR8
12	00755234	1	CONTROL SPACER KIT
13	00755224	1	BOLT, HEX HEAD 1"-NC X 7" GR8
14	00607100	1	ADAPTER, HYD TEE
15	00750997	1	HOSE ASY, #6 - 6MP - 4MP - 132" LG
16	72276000	1	NIPPLE, 3/4" CLOSE
17	00751143	1	ADAPTER, HYD ELBOW
18	00750368	1	Q.D. COUPLER #4
19	00717800	1	REDUCER, 8MP - 4FP

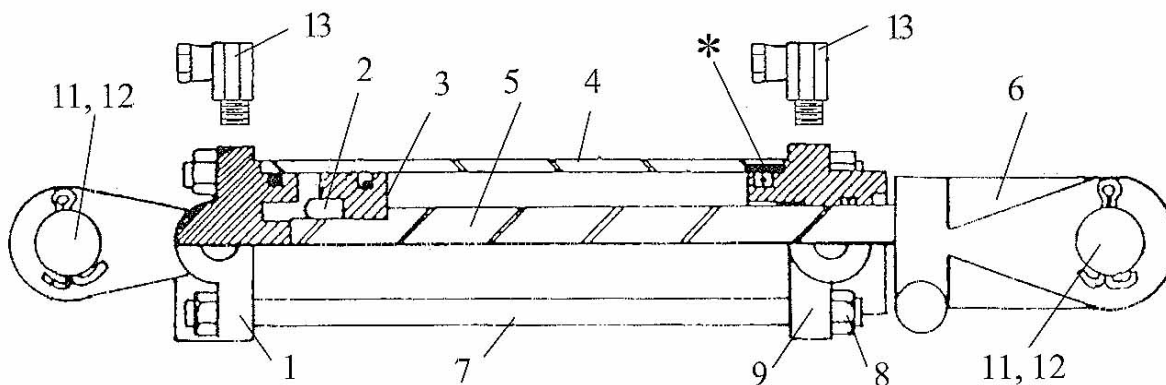


## AXLE LEVEL LIFT CYL. - OPTION - P/N 8719, 8720 & 8721 (OLD STYLE)

### Axle Level Lift Cylinders - 8719, 8720 & 8721 (Optional)

**\* Note: Old Style Cylinders** - To ID this cylinder look at the ports, these ports are NPT thread and \* is a groove cut into ID of cylinder tube to allow fluid to bypass piston when stroke is fully extended. This bypass is what makes this a rephasing cylinder. Press Piston on with Locktite # 271 or equivalent when assembling cylinders

**ATTENTION:** During the last use of these cylinders there were a few used that had an O-Ring boss for the ports (item #13), these cylinders DO NOT have replacement parts available at all. These O-Ring Boss cylinder were sent to Alamo Industrial in error by cylinder manufacturer and Alamo industrial was not aware of them. These cylinders with O-Ring Boss ports will have to be replaced as a complete later type cylinder. Parts will not interchange between old and new cylinders.



ITEM	PART NO.	QTY.	DESCRIPTION
	8719	-	CYL ASY, 3.5" BORE CENTER AXLE
	8720	-	CYL ASY, 3.25" BORE RH WING AXLE
	8721	-	CYL ASY, 3" BORE LH WING AXLE
1	8772	-	CAP, (USE ON CYL. P/N 8719)
	8778	-	CAP, (USE ON CYL. P/N 8720)
	8784	-	CAP, (USE ON CYL. P/N 8721)
2	4705M	-	PISTON NUT, (USE ON CYL. P/N 8719 & 9720)
	4675M	-	PSTON NUT, (USE ON CYL. P/N 8721)
3	8768	-	PISTON, (USE ON CYL. P/N 8719)
	8775	-	PISTON, (USE ON CYL. P/N 8720)
	8780	-	PISTON, (USE ON CYL P/N 8721)
4	8769	-	TUBE, (USE ON CYL. P/N 8719)
	8776	-	TUBE, (USE ON CYL. P/N 8720)
	8781	-	TUBE, (USE ON CYL. P/N 8721)
5	4706	-	PISTON ROD, (USE ON CYL. P/N 8719 & 8720)
	8753	-	PISTON ROD, (USE ON CYL. P/N 8721)

## AXLE LEVEL LIFT CYL. - OPTION - P/N 8719, 8720 & 8721 (OLD STYLE)

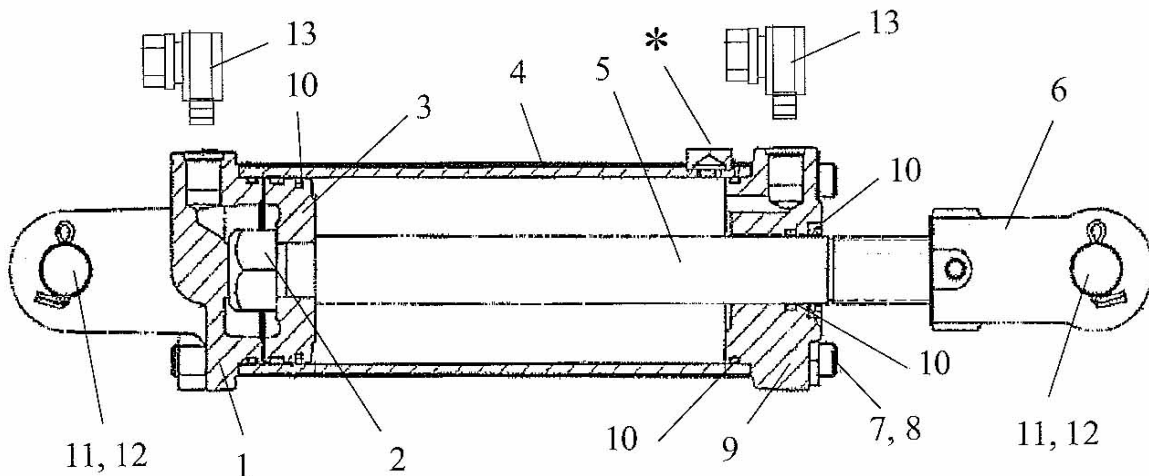
Continued...

ITEM	PART NO.	QTY.	DESCRIPTION
6	8754	-	CLEVIS, OUTER (USE ON ALL CYL.)
7	8773	-	TIE ROD, (USE ON CYL. P/N 8719 & 8720)
	8785	-	TIE ROD, (USE ON CYL. P/N 8721)
8	4689	-	NUT, HEX 9/16"-18NF PL (USE ON CYL. P/N 8719 & 8720)
	4376	-	NUT, HEX 1/2"-20NF PL (USE ON CYL. P/N 8721)
9	8774	-	HEAD, (USE ON CYL. P/N 8719)
	8779	-	HEAD, (USE ON CYL. P/N 8720)
	8786	-	HEAD, (USE ON CYL. P/N 8721)
10	8764	-	SEAL KIT, (USE ON CYL. P/N 8719)
	8765	-	SEAL KIT, (USE ON CYL. P/N 8720)
	8766	-	SEAL KIT, (USE ON CYL. P/N 8721)
11	8354	-	PIN, HYD CYL (USE ON ALL CYL)
12	00606000	-	COTTER PIN, 3/16" X 2" (USE ON ALL CYL)
13	00750983	-	ADAPTER, HYD ELBOW (USE ON ALL CYL)

## AXLE LEVEL LIFT CYL. - OPTION - P/N 8719B, 8720B & 8721B (NEW STYLE)

### Axle Level Lift Cylinders - 8719B, 8720B & 8721B (Optional)

\* Note: **New Style Cylinders** -To ID this cylinder look at the ports, these ports are straight thread with O-Ring Boss ports and \* is a round cap welded to OD of tube at rod end to allow fluid to bypass piston when stroke is fully extended. This bypass is what makes this a rephasing cylinder. These cylinders will replace old style cylinders as an assembly but parts will not interchange.



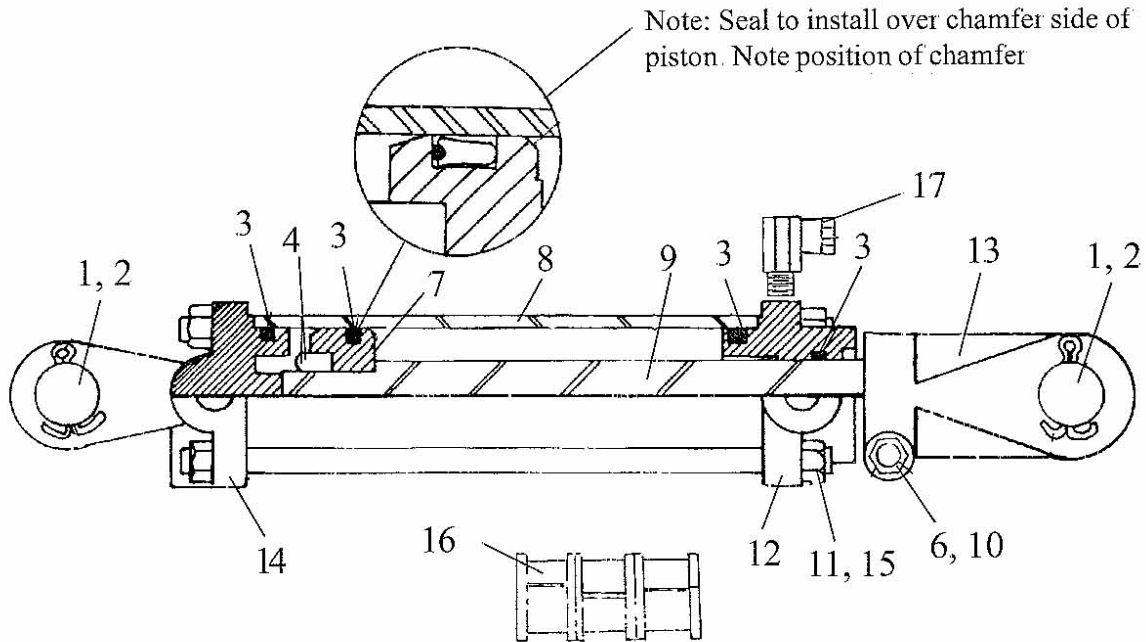
ITEM	PART NO.	QTY.	DESCRIPTION
	8719B	-	CYL ASY, 3.5" BORE CENTER AXLE
	8720B	-	CYL ASY, 3.25" BORE RH WING AXLE
	8721B	-	CYL ASY, 3" BORE LH WING AXLE
1	2417184	-	CAP, (USE ON CYL. P/N 8719B)
	02982590	-	CAP, (USE ON CYL. P/N 8720B)
	2417157	-	CAP, (USE ON CYL. P/N 8721B)
2	5JRC16140	-	PISTON NUT, (USE ON ALL CYL)
3	02982594	-	PISTON, (USE ON CYL. P/N 8719B)
	02982591	-	PISTON, (USE ON CYL. P/N 8720B)
	02982586	-	PISTON, (USE ON CYL P/N 8721B)
4	02982593	-	TUBE, (USE ON CYL. P/N 8719B)
	02982588	-	TUBE, (USE ON CYL. P/N 8720B)
	02982585	-	TUBE, (USE ON CYL. P/N 8721B)
5	00774737	-	PISTON ROD, (USE ON CYL. P/N 8719B & 8720B)
	8753	-	PISTON ROD, (USE ON CYL. P/N 8721B)
6	1917140	-	CLEVIS, OUTER (USE ON ALL CYL.)
7	00774745	-	TIE ROD, (USE ON CYL. P/N 8719B)
	00774742	-	TIE ROD, (USE ON CYL P/N 8720B)

**AXLE LEVEL LIFT CYL. - OPTION - P/N 8719B, 8720B & 8721B (NEW STYLE)**

**Continued...**

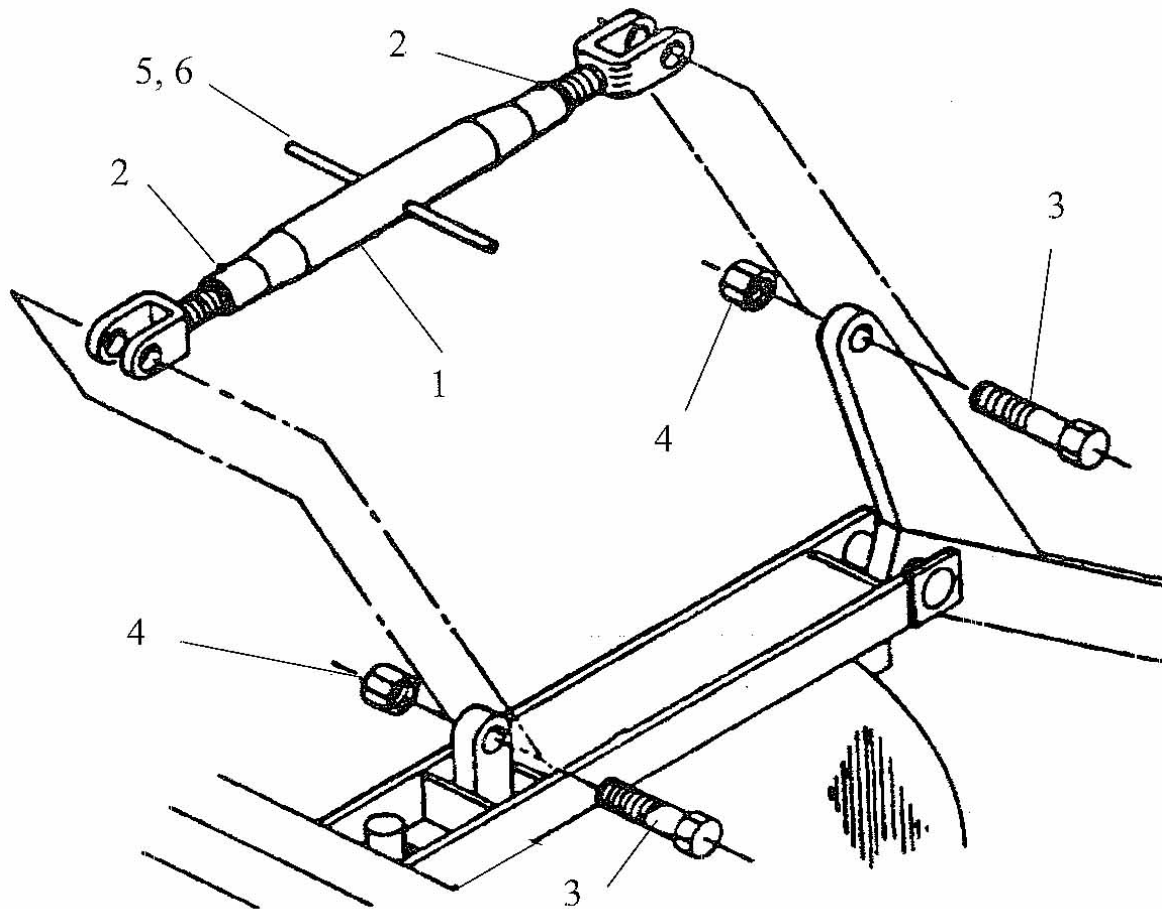
<b>ITEM</b>	<b>PART NO.</b>	<b>QTY.</b>	<b>DESCRIPTION</b>
	8785	-	TIE ROD, (USE ON CYL. P/N 8721B)
8	00036300	-	NUT, HEX 9/16"-18NF PL (USE ON CYL. P/N 8719B & 8720B)
	00001200	-	NUT, HEX 1/2"-20NF PL (USE ON CYL. P/N 8721B)
9	00774728	-	HEAD, (USE ON CYL. P/N 8719B)
	02982589	-	HEAD, (USE ON CYL. P/N 8720B)
	2417158	-	HEAD, (USE ON CYL. P/N 8721B)
10	02982595	-	SEAL KIT, (USE ON CYL. P/N 8719B)
	02982592	-	SEAL KIT, (USE ON CYL. P/N 8720B)
	02982587	-	SEAL KIT, (USE ON CYL. P/N 8721B)
11	3047104	-	PIN, HYD CYL (USE ON ALL CYL)
12	00755153	-	COTTER PIN, (USE ON ALL CYL)
13	001654	-	ADAPTER, HYD ELBOW (USE ON ALL CYL)

## AXLE LIFT CYL - CENTER AXLE - (STANDARD HYD AXLE LIFT)



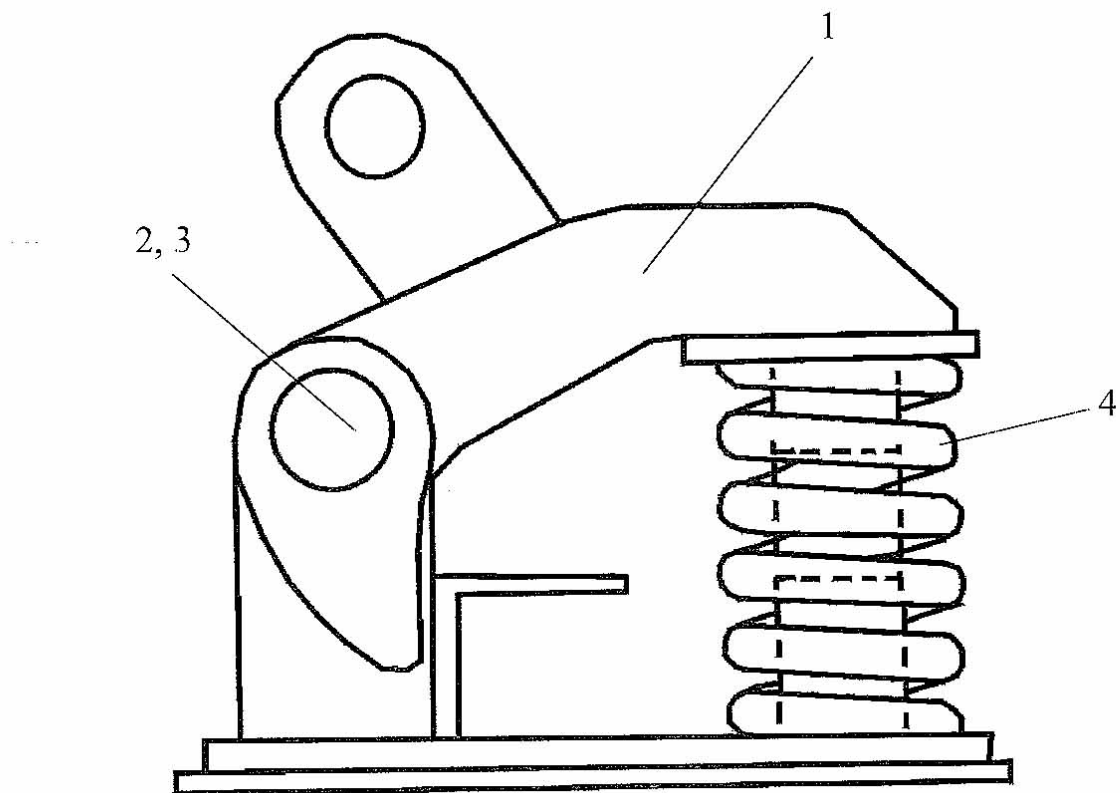
ITEM	PART NO.	QTY.	DESCRIPTION
	00759946	-	CYLINDER ASY, STANDARD CENTER AXLE HYD LIFT
1	8354	2	PIN, HYD CYLINDER
2	163016	2	COTTER PIN, 3/16" X 2"
3	00760199	1	SEAL KIT, (3 DIA HYD CYL)
4	4675M	1	PISTON NUT
5	6511324	1	BREATHER, 1/2 SQ HD CORED
6	00023100	1	BOLT, HEX HEAD 3/8"-16UNC X 1-1/2" PL GR5
7	00760661	1	PISTON, F/ 3" BORE CYL
8	00760194	1	CYLINDER TUBE
9	00760200	1	PISTON ROD (NOT AVAILABLE USE 00759946A CYL ASY)
10	00013901	1	NUT, HEX 3/8"-NC PL
11	02716500	8	LOCKNUT, TOPLOCK 1/2"-NF PLB
12	00760197	1	HEAD, CYL
13	8754	1	CLEVIS, OUTER
14	00760196	1	BASE, CYL
15	00760202	4	ROD,CYL TIE (1/2"-NF X 13")
16	00755234	1	CONTROL SPACER KIT
17	001654	1	ADAPTER, HYD, ELBOW

## AXLE LIFT SCREW ASY - WING AXLES



ITEM	PART NO.	QTY.	DESCRIPTION
1	0656510000	1	MANUAL LIFT SCREW ASY (STANDARD AXLE LIFT)
2	651062F	2	GREASE FITTING (DRIVE TYPE)
3	00609200	2	BOLT, HEX HEAD 1"-NC X 4 GR5
4	02030300	2	LOCKNUT, TOPLOCK 1"-NC PLB
5	00760135	1	HANDLE, MANUAL LIFT SCREW
6	00771279	1	CAP, PLASTIC

## AXLE SPRING SHOCK ASY - LH OR RH WING (OPTIONAL)

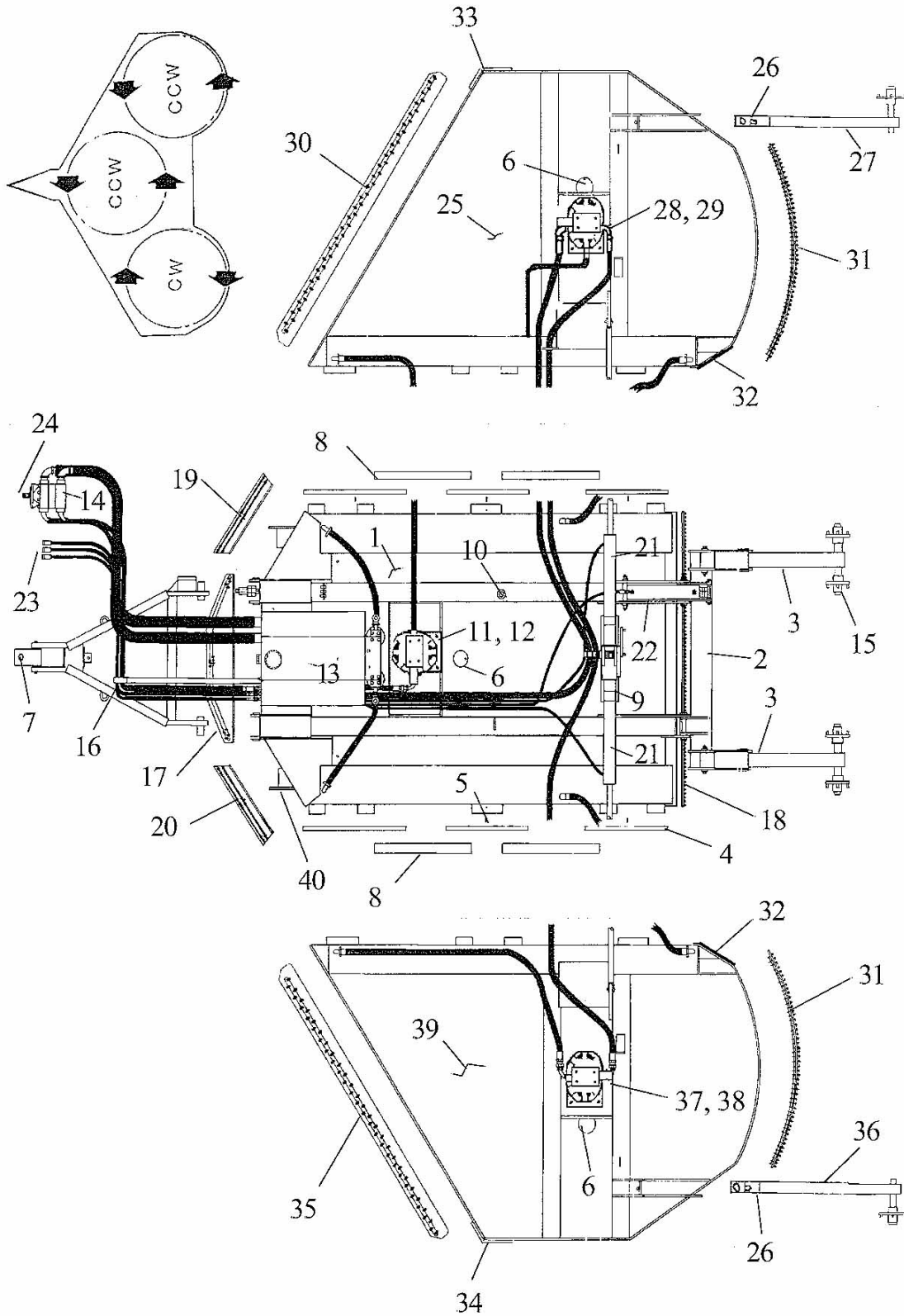


ITEM	PART NO.	QTY.	DESCRIPTION
1	00756907	1	ROCKER ARM WELDMENT
2	1630162	1	COTTER PIN
3	00756998	1	ROCKER ARM PIN
4	371063A	1	SPRING



**THIS PAGE INTENTIONAL LEFT BLANK**

# BASIC MOWER ASY - 15 FT (PART 1)



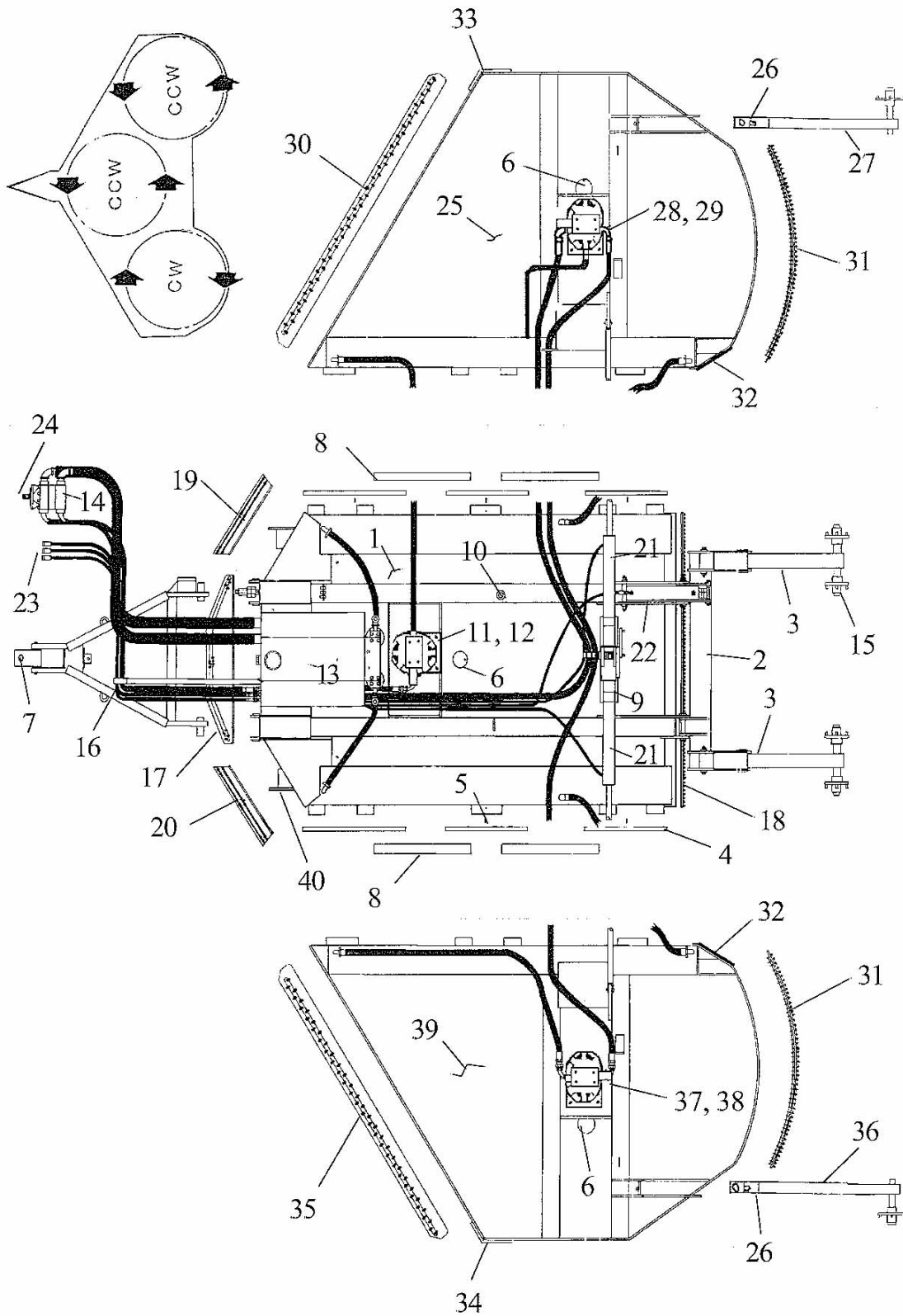
## BASIC MOWER ASY - 15 FT (PART 1)

Continued...

ITEM	PART NO.	QTY.	DESCRIPTION
1	00758872	1	DECK WELDMENT, CENTER SECTION
	00774965	1	CNTR AXLE WLD`MT (F/DUAL CNTRL RODS)
2	00757648	1	CNTR AXLE WLD`MT (F/SNGL CNTRL ROD)
3	00757647	2	WLDMT DUAL AXLE ARM WELDMENT, DUAL WHL - CENTER SECTION
4	00751042	6	HINGE PIN, SHORT PIN
5	00751107	6	PIN ROLL, 5/16" X 1-3/4"
6	00747600	3	INSPECTION COVER PLATE
	00024100	3	FLATWASHER, STD 1/4" PL
	00017000	3	LOCKWASHER, STD 1/4" PL
	00004000	3	WINGNUT, 1/4"-20NC PL
7	02712500	1	BOLT, HEX HEAD 1"-NC X 4" PL GR8 SPECIAL
	02030300	1	LOCKNUT, TOPLOCK 1"-NC PLB
8	00752254	4	FILLER PIPE, WING HINGE
9	00755028	1	WINCH STAND WELDMTEN
10	00756655	1	PARKING JACK, 5000# CAPACITY
11	-----	1	MOTOR & SPINDLE ASY, CENTER SECTION
12	00758866	1	BLADE BAR ASY, CENTER SECTION
13	02979348	1	TANK ASY, HYDRO 15
14	-----	1	PUMP ASY, TANDEM
15	00752753	6	WHEEL HUB KIT, CENTER OR WINGS
16	00755497	1	HOSE HANGER WELDMENT
	02718900	1	BOLT, HEX HEAD 7/16"-NC X 1-3/4" PL
	00999316	1	NUT, HEX 7/16"-NC PL
17	00755092	1	CHAIN GUARD ASY, FRONT CENTER DBL CURTAIN
18	00755101	1	CHAIN GUARD ASY, REAR CENTER DBL CURTAIN
19	00755098	1	CHAIN GUARD ASY, FRONT CENTER RH DBL CURTAIN
20	00755095	1	CHAIN GUARD ASY, FRONT CENTER LH DBL CURTAIN
21	00750398	2	CYLINDER, WING LIFT & FOLD
22	00759946	1	CYLINDER, CENTER AXLE (STANDARD LIFT)
23	00380200	1	VALVE ASY, 3 SPOOL OPEN CENTER
	00750382	1	VALVE ASY, 3 SPOOL CLOSED CENTER.
24	00751488	1	SPEED INCREASER ASY, 1:4
25	00758873	1	DECK WELDMENT, RH WING
26	00756999	2	SPRING ASY, OUTBOARD AXLE
27	00757696	1	AXLE ARM ASY, RH WING
28	-----	1	MOTOR & SPINDLE ASY, RH WING
29	00758868	1	BLADE BAR ASY, LH WING
30	00755560	1	CHAIN GUARD ASY, FRONT RH WING DBL CURTAIN
31	00755119	2	CHAIN GUARD ASY, REAR WING LH OR RH DBL CURTAIN
32	00752051	2	RUBBER FLAP, REAR WING 10 X 10
33	00750993	1	SKID SHOE WELDMENT, RH WING

Hydro 10 and 15 ft (08-05) Rev 01-11

# BASIC MOWER ASY - 15 FT (PART 2)

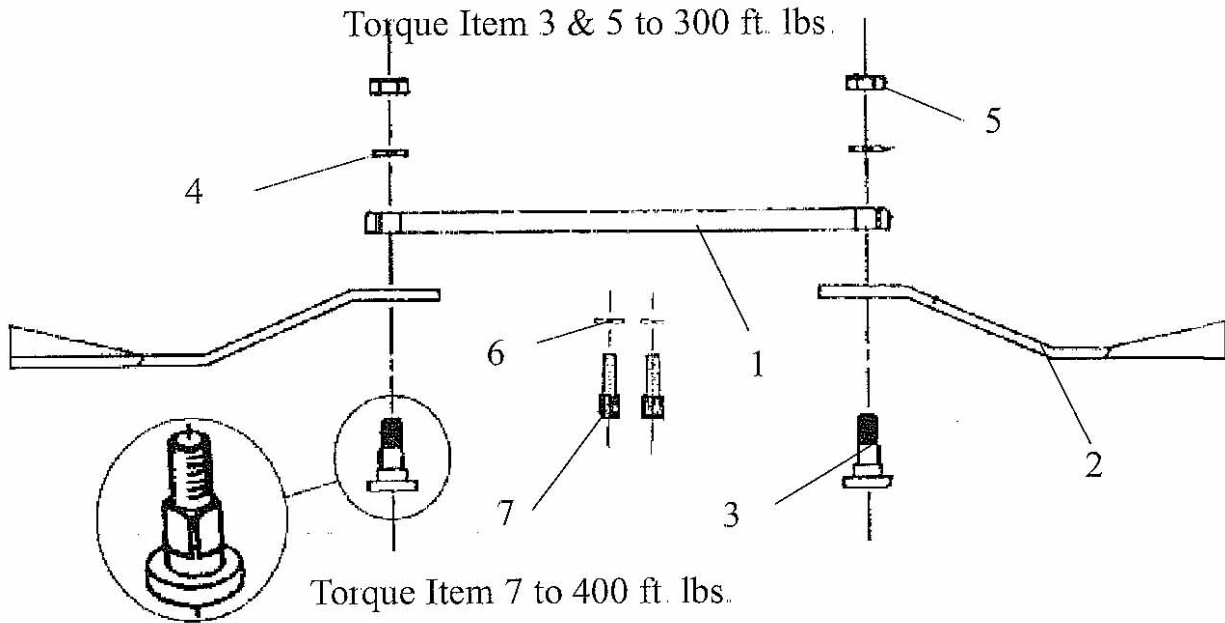


## BASIC MOWER ASY - 15 FT (PART 2)

Continued...

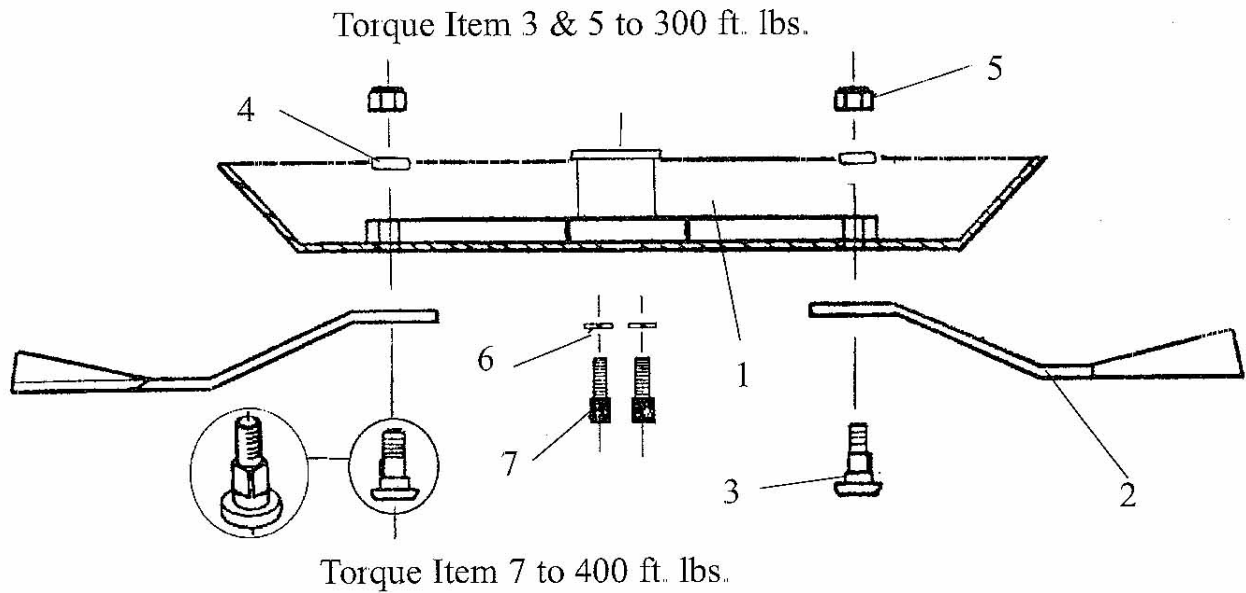
ITEM	PART NO.	QTY.	DESCRIPTION
34	00750989	1	SKID SHOE WELDMENT, LH WING
35	00755554	1	CHAIN GUARD ASY, FRONT LH WING DBL CURTAIN
36	00757697	1	AXLE, ASY, LH WING
37	-----	1	MOTOR & SPINDLE ASY, LH WING
38	00758867	1	BLADE BAR ASY, RH WING
39	00758874	1	DECK WELDMEN, LH WING
40	00751305	2	SKID SHOE WELDMENT, CENTER SECTION FRONT
41	02977385	1	AG MANUAL HOLDER CANISTER
42	00775062	1	SHIELD BAFFLE CTR REAR (NOT SHOWN)
43	00775067	1	SHIELD BAFFLE CTR REAR LH 1/4 (NOT SHOWN)
44	00775068	1	SHIELD BAFFLE CTR BAFFLE 1/4 (NOT SHOWN)
45	00775069	1	SHIELD BAFFLE CTR 1/4 (NOT SHOWN)

## BLADE CARRIER ASY - BAR - CTR & WINGS



ITEM	PART NO.	QTY.	DESCRIPTION
1	00758852	-	WLDMT-BLADE BAR WELDMENT, CENTER
	00758855	-	BLADE BAR WELDMENT, RH OR LH WING
2	00752972	-	BLADE SET (2), CCW MATCHED - CENTER
	00752972	-	BLADE SET (2), CCW MATCHED - R-WG
	00752971	-	BLADE SET (2), CW MATCHED - L-WG
3	8227	-	BLADE BOLT, SQ SHOULDER CTR OR WNGS
4	9216	-	WASHER, 1" STRUCTURAL
5	5JRC16140	-	LOCKNUT, TOPLOCK 1"-14 GC ZP
6	02886600	-	BOLT, SOCKET HEAD 3/4"-NC X 2-1/2" PL GR8
7	00003901	-	LOCKWASHER, 3/4" PL HEAVY

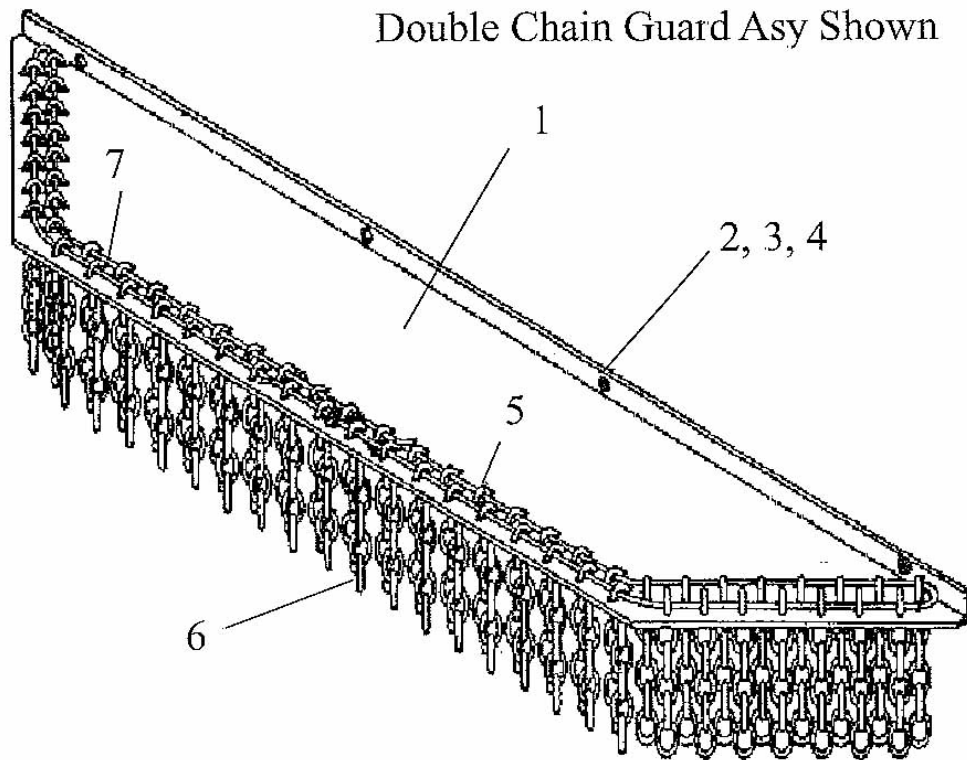
## BLADE CARRIER ASY - PAN - CENTER & WINGS



ITEM	PART NO.	QTY.	DESCRIPTION
	00758863	-	BLADE PAN ASY COMPLETE, CENTER
	00758865	-	BLADE PAN ASY COMPLETE, LH WING
	00758864	-	BLADE PAN ASY COMPLETE, RH WING
1	00758851	-	BLADE PAN WELDMENT, CENTER
	00758854	-	BLADE PAN WELDMENT, LH OR RH WING
2	00752972	-	BLADE SET (2), CCW MATCHED CTR & RWG
	00752971	-	BLADE SET (2), CW MATCHED LWG
3	8227	-	BLADE BOLT, SQ SHOULDER CTR & WGS
4	9216	-	WASHER, 1" STRUCTURAL
5	5JRC16140	-	LOCKNUT, TOPLOCK 1"-14 GC ZP
6	00003901	-	LOCKWASHER, 3/4" PL HEAVY
7	02886600	-	BOLT, SOCKET HEAD 3/4"-NC X 2-1/2" PL GR8



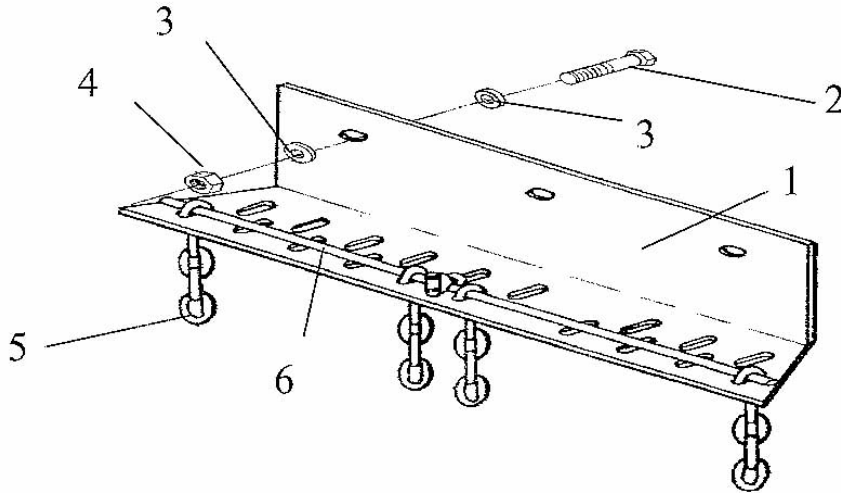
## CHAIN GUARD ASY - FRONT CENTER SECTION - CENTER



ITEM	PART NO.	QTY.	DESCRIPTION
	00755114	1	CHAIN GUARD ASY, FRT CTR SECTION CTR DBL CURTAIN
1	00755091	1	BRACKET ONLY, FRT CTR
2	00022500	4	BOLT, HEX HEAD 7/16"-NC X 1-1/2" PL GR5
3	00019700	4	FLATWASHER, 7/16" PL STD
4	02957941	4	LOCKNUT, TOPLOCK 7/16"-NC GR8
5	00001000	2	CABLE CLAMP
6	00755090	35	CHAIN SECTION, 5/16"-5 LINKS WLD
7	00992000	4	CABLE, 1/4" GA AIRCRAFT (7X19)

## CHAIN GUARD ASY - FRONT CENTER SECTION - SIDES

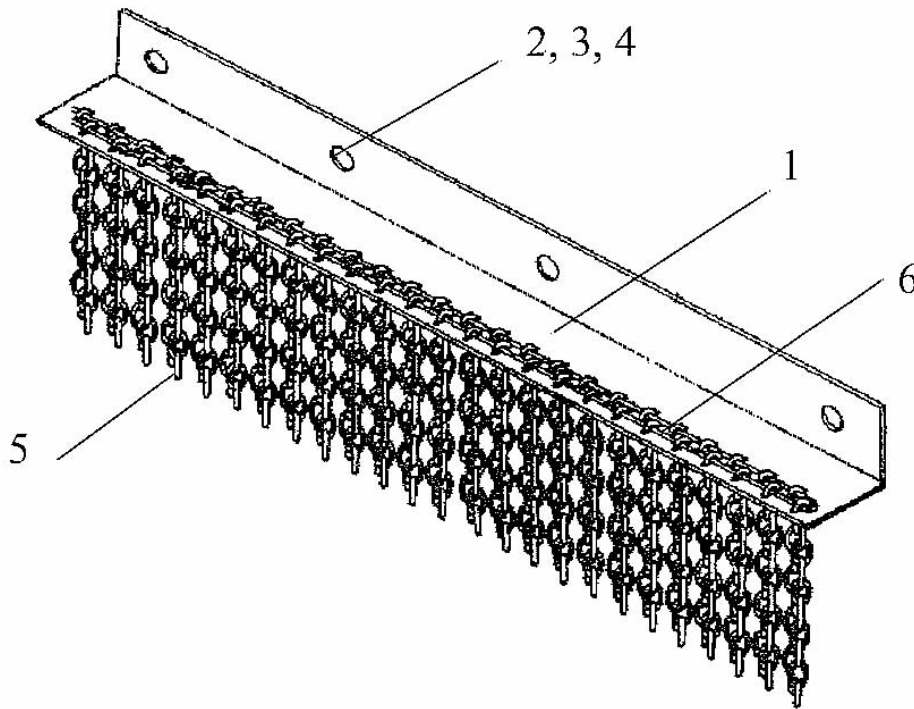
Single Chain Guard Asy Shown



ITEM	PART NO.	QTY.	DESCRIPTION
	00755116	1	CHAIN GUARD ASY, FRT CTR LH DBL CURTAIN
	00755115	1	CHAIN GUARD ASY, FRT CTR RH DBL CURTAIN
1	00755096	1	CHAIN GUARD BRKT ONLY, FRT CTR LH
	00755094	1	CHAIN GUARD BRKT ONLY, FRT CTR RH
2	00022500	3	BOLT, HEX HEAD 7/16"-NC X 1-1/2" PL GR5
3	00019700	6	FLATWASHER, 7/16" PL STD
4	02957941	3	LOCKNUT, TOPLOCK 7/16"-NC GR8
5	00755090	19	CHAIN SECTION, 5/16-5 LINKS WLD
6	00959900	-	RETAINING ROD, 1/4 OD MS

## CHAIN GUARD ASY - FRONT WINGS - RH OR LH

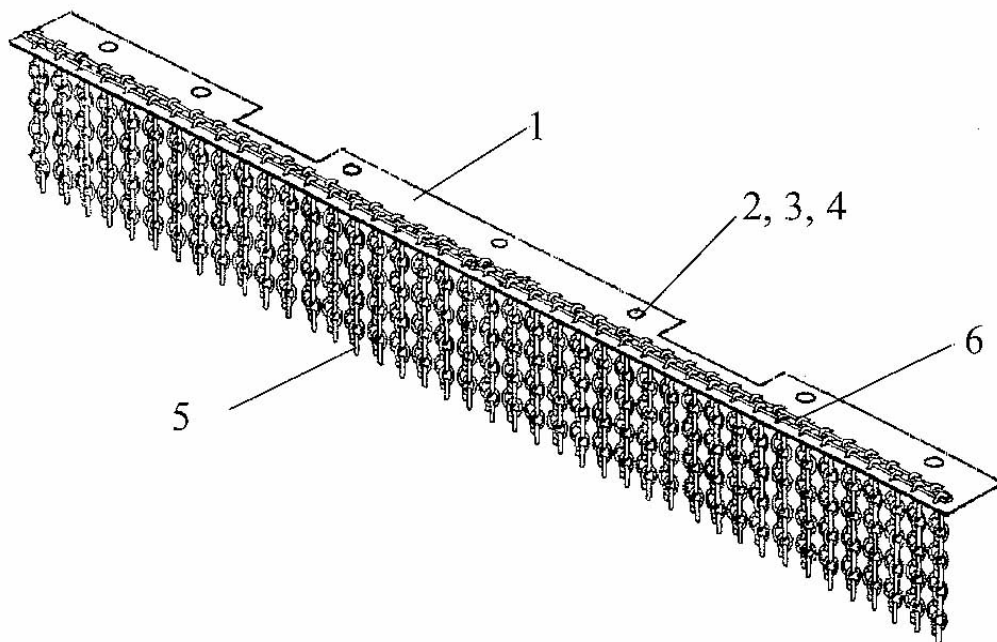
Double Chain Guard Asy Shown



ITEM	PART NO.	QTY.	DESCRIPTION
	00755556	1	CHAIN GUARD ASY, LW FRT DBL CURTAIN
	00755557	1	CHAIN GUARD ASY, RW FRT DBL CURTAIN
1	00755551	1	CHAIN GUARD BRKT ONLY, FRT LW
	00755552	1	CHAIN GUARD BRKT ONLY, FRT RW
2	00022500	8	BOLT, HEX HEAD 7/16"-NC X 1-1/2" PL GR5
3	00019700	16	FLATWASHER, 7/16" PL STD
4	02957941	8	LOCKNUT, TOPLOCK 7/16"-NC GR8
5	00751126	80	CHAIN SECTION, 5/16"-6 LINK WLDED
6	00959900	-	RETAINING ROD, HR 1/4" OD MS

## CHAIN GUARD ASY - REAR CENTER SECTION

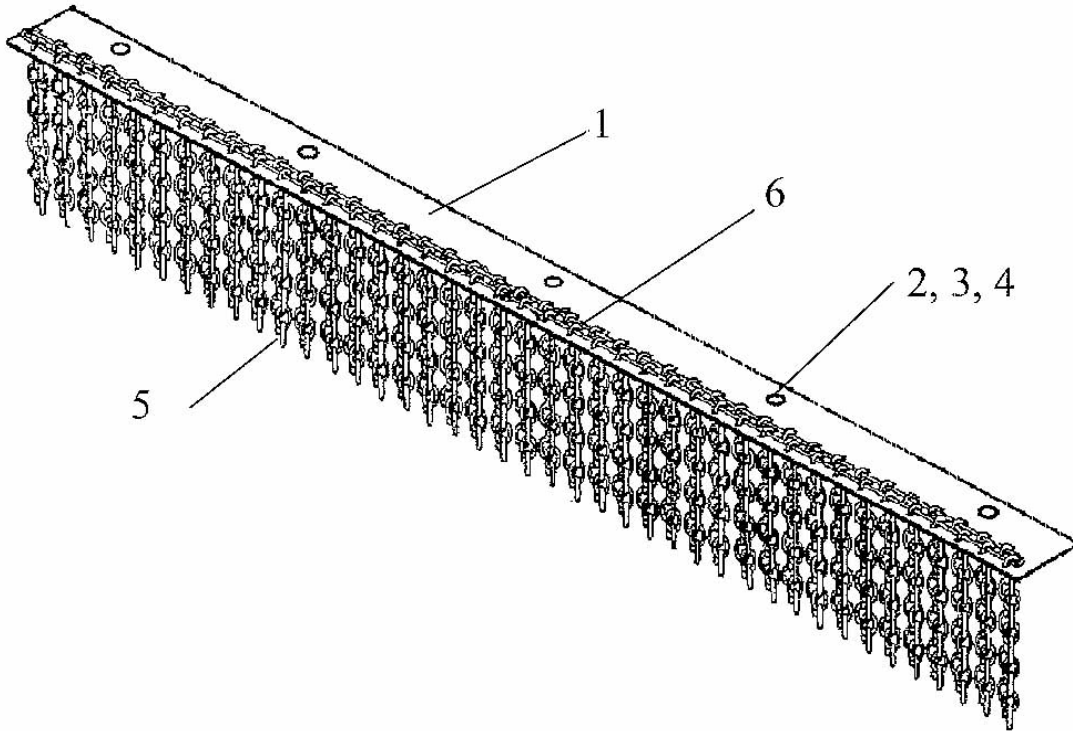
Double Chain Guard Asy Shown



ITEM	PART NO.	QTY.	DESCRIPTION
	00755117	1	CHAIN GUARD ASY, RER CTR DBL CURTAIN
1	00755099	1	CHAIN GUARD BRKT ONLY, REAR CENTER
2	00022500	5	BOLT, HEX HEAD 7/16"-NC X 1-1/2" PL GR5
3	00019700	10	FLATWASHER, 7/16" PL STD
4	02957941	5	LOCKNUT, TOPLOCK 7/16"-NC GR8
5	00751126	68	CHAIN SECTION, 5/16" X 6 LINK WELDED
6	00959900	-	RETAINING ROD 1/4" OD MS

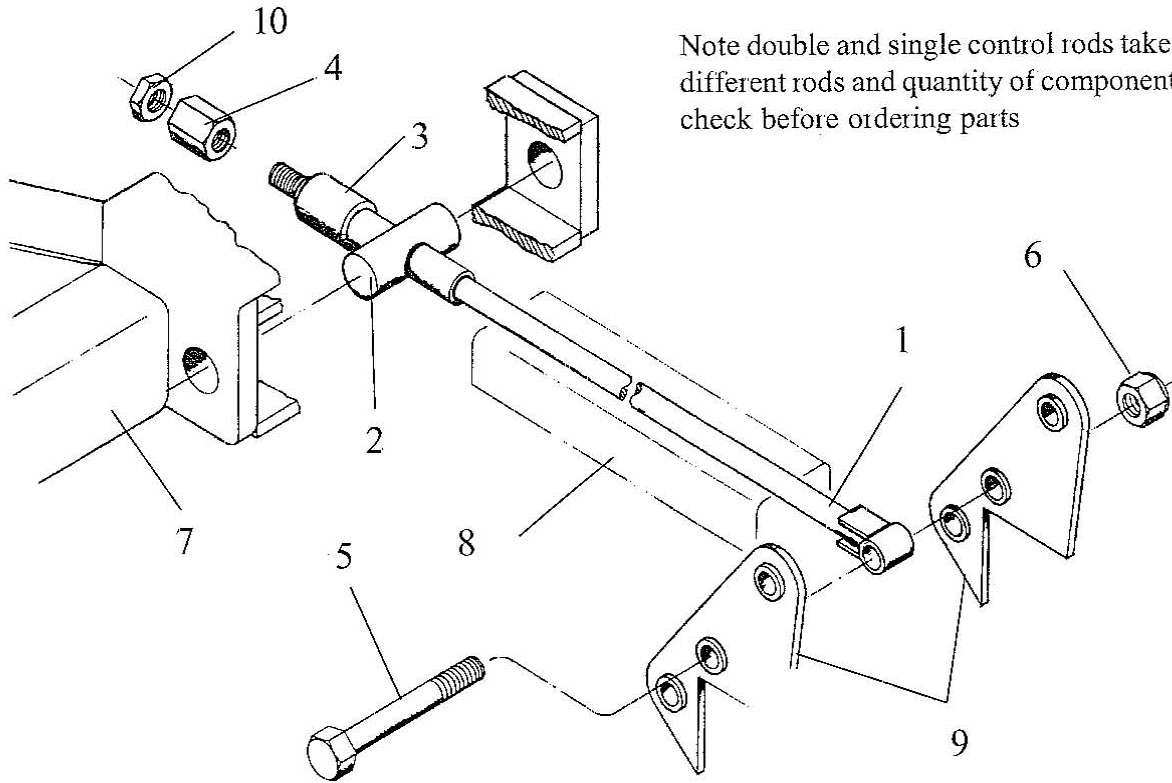
## CHAIN GUARD ASY - REAR WINGS - RH OR LH

Double Chain Guard Asy Shown



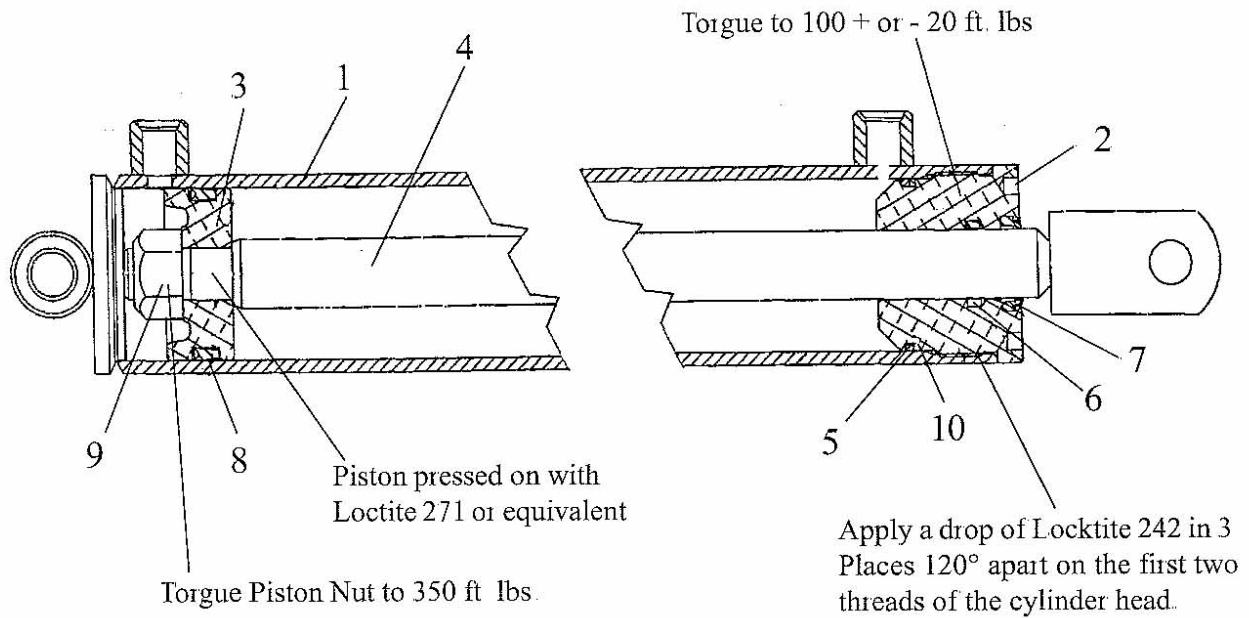
ITEM	PART NO.	QTY.	DESCRIPTION
	00755119	1	CHAIN GUARD ASY, RER LH OR RH WG DBL CURTAIN
1	00755105	1	CHAIN GUARD BRKT ONLY, RER LH OR RH WG
2	00022500	5	BOLT, HEX HEAD 7/16"-NC X 1-1/2" PL GR5
3	00019700	10	FLATWASHER, 7/16" PL STD
4	02957941	5	LOCKNUT, TOPLOCK 7/16"-NC GR8
5	00751126	48	CHAIN SECTION, 5/16" X 6 LINK WELDED
6	00959900	-	RETAINING ROD 1/4 OD MS

## CONTROL ROD - TONGUE & AXLE LEVEL LIFT



ITEM	PART NO.	QTY.	DESCRIPTION
1	00755021	1	LEVEL ROD WLDMNT (112" LG) USE W/SINGLE ROD
	00758831	-	LEVEL ROD WLDMNT (110" LG) USE W/DUAL ROD
2	00755044	1	SWIVEL BAR, LEVEL LIFT
3	00755264	1	BUSHING WLDMNT, (A DIM 2-1/2")
	00758833	1	BUSHING WLDMNT, (A DIM 1/2")
4	00754949	1	NUT, HEX 1"- 8NC HRS
5	00755305	1	BOLT, HEX HEAD 1"-8UNC X 6" GR8
6	02030300	1	LOCKNUT, TOPLOCK 1"-NC PLB
7	00755020	-	TONGUE WLDMT, F/SINGLE ROD
8	00755010	-	CENTER SECTION WLDMNT 15-IV
9	00754974	-	AXLE WLDMNT
10	23511000	1	JAM NUT, HEX 1"-NC PL

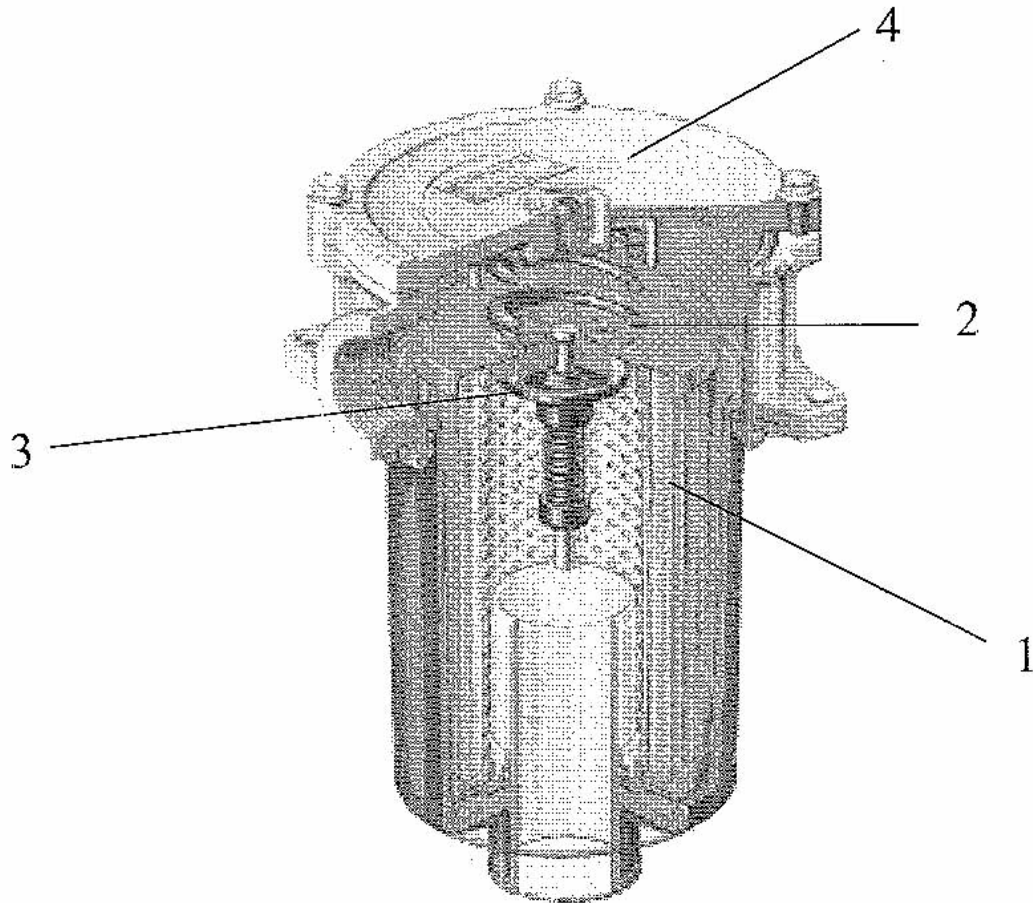
**CYL. WING LIFT & FOLD - P/N 00750398B**



ITEM	PART NO.	QTY.	DESCRIPTION
	00750398B	-	CYL ASY, WING LIFT & FOLD
1	02978211	1	TUBE WLDMT
2	02978212	1	CYL HEAD
3	02978213	1	PISTON
4	02978214	1	ROD WLDMT
5	-----	1	O-RING
6	-----	1	SEAL
7	-----	1	SEAL, WIPER ROD
8	-----	1	SEAL, PISTON RING
9	5JRC12160	1	LOCKNUT, TOPLOCK 3/4"-NF PLC
10	-----	1	SEAL
11	02979053	1	SEAL KIT (ITEMS 5, 6, 7, 8 & 10)



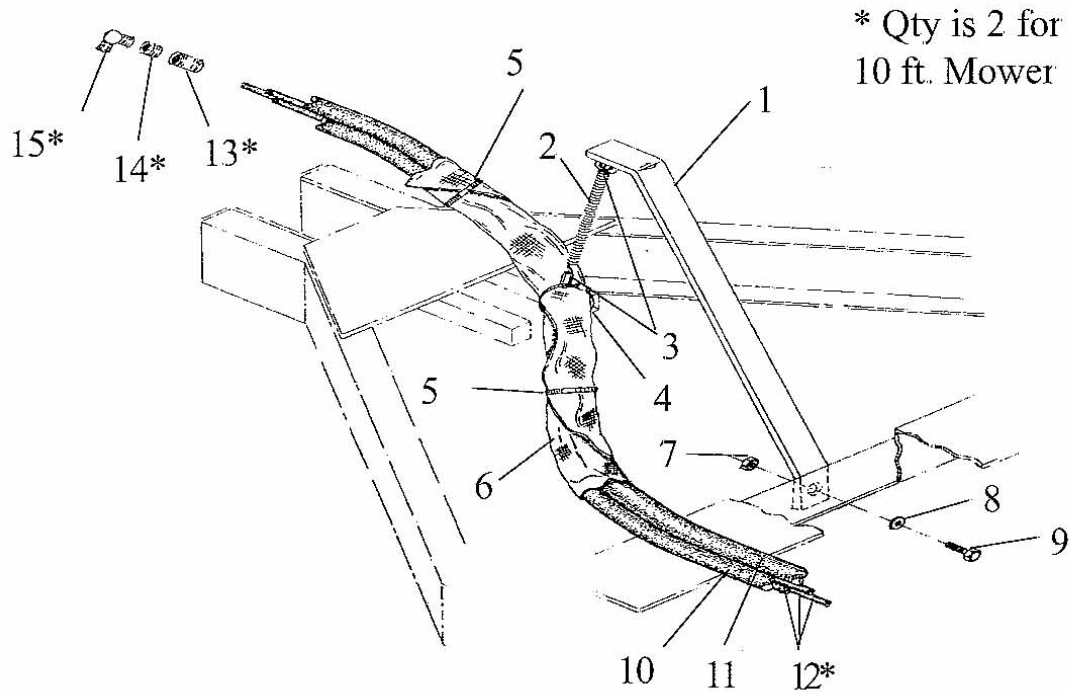
## FILTER ASY - P/N 02964748



NOTE: Two filter assemblies used per mower.

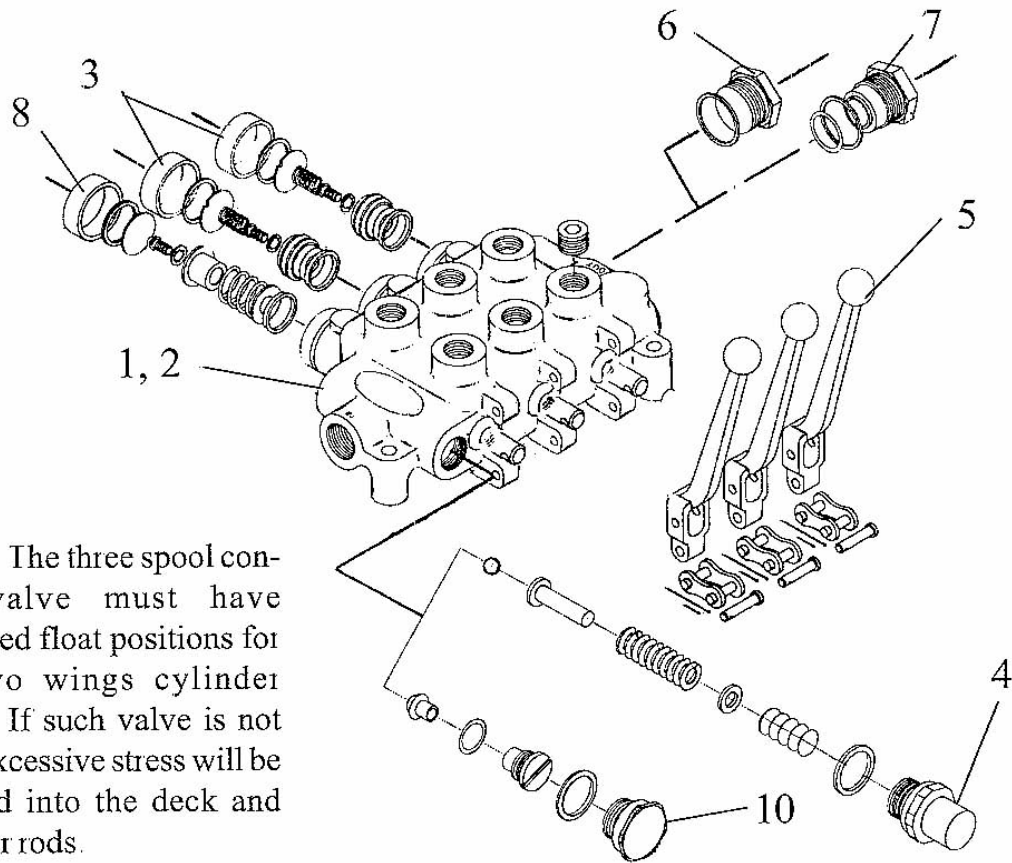
ITEM	PART NO.	QTY.	DESCRIPTION
	02964748	-	FILTER ASY, F/ HYDRO 15
1	02961001	1	FILTER ELEMENT REPLACEMENT ONLY
2	02972678	1	SPRING, FILTER CARTRIDGE
3	02973782	1	VALVE, FILTER BYPASS
4	02978349	1	FILTER COVER
5	02978354	1	SEAL KIT
6	02978355	1	NUT AND BOLT KIT F/ TOP COVER

## HOSE HANGER ASY.



ITEM	PART NO.	QTY.	DESCRIPTION
1	00755497	1	HOSE HANGER WELDMENT
2	02023000	1	SPRING
3	02026300	1	CHAIN, 3/16" X 1 LINK
4	00751858	1	HOSE CLAMP, M44
5	02753400	2	PLASTIC TIE-ON 15" LG
6	00751838	1	CORDURA SLEEIVING, 30" LG
7	00999316	1	NUT, HEX 7/16"-NC PL
8	00019700	1	FLATWASHER, 7/16" PL STD
9	02718900	1	BOLT, HEX HEAD 7/16"-NC X 1-3/4" PL
10	00751839	1	HOSE ASY, #16 - 16FJX - 16FL90 - 59" LG
11	00751491	1	HOSE ASY, #12 - 12FJX - 12FL - 55.5" LG
12	00750997	-	HOSE ASY, #6 - 6MP - 4MP - 132" LG
13	00750368	-	COUPLER, QD #4
14	00717800	-	REDUCER, 8MP - 4FP
15	00751143	-	ADAPTER, HYD ELBOW

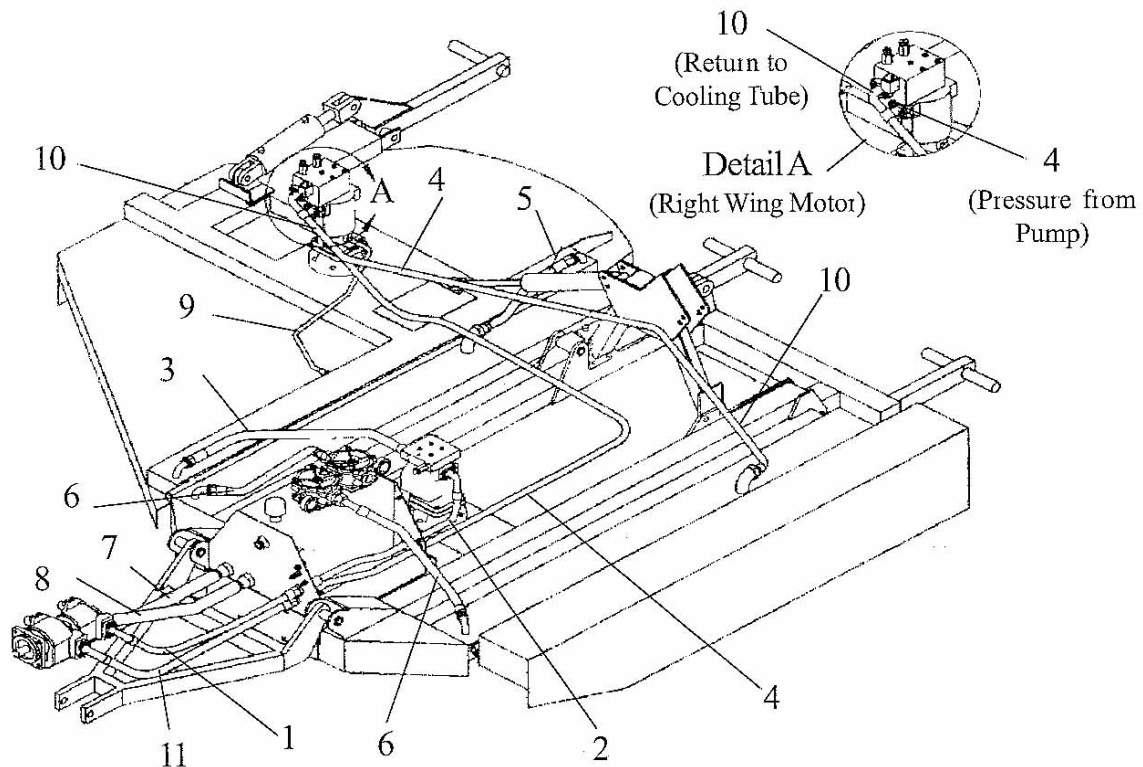
## HYD CONTROL VALVE - 3 SPOOL - OPEN & CLOSED CENTER



NOTE: The three spool control valve must have "detented float positions for the two wings cylinder spools. If such valve is not used, excessive stress will be induced into the deck and cylinder rods.

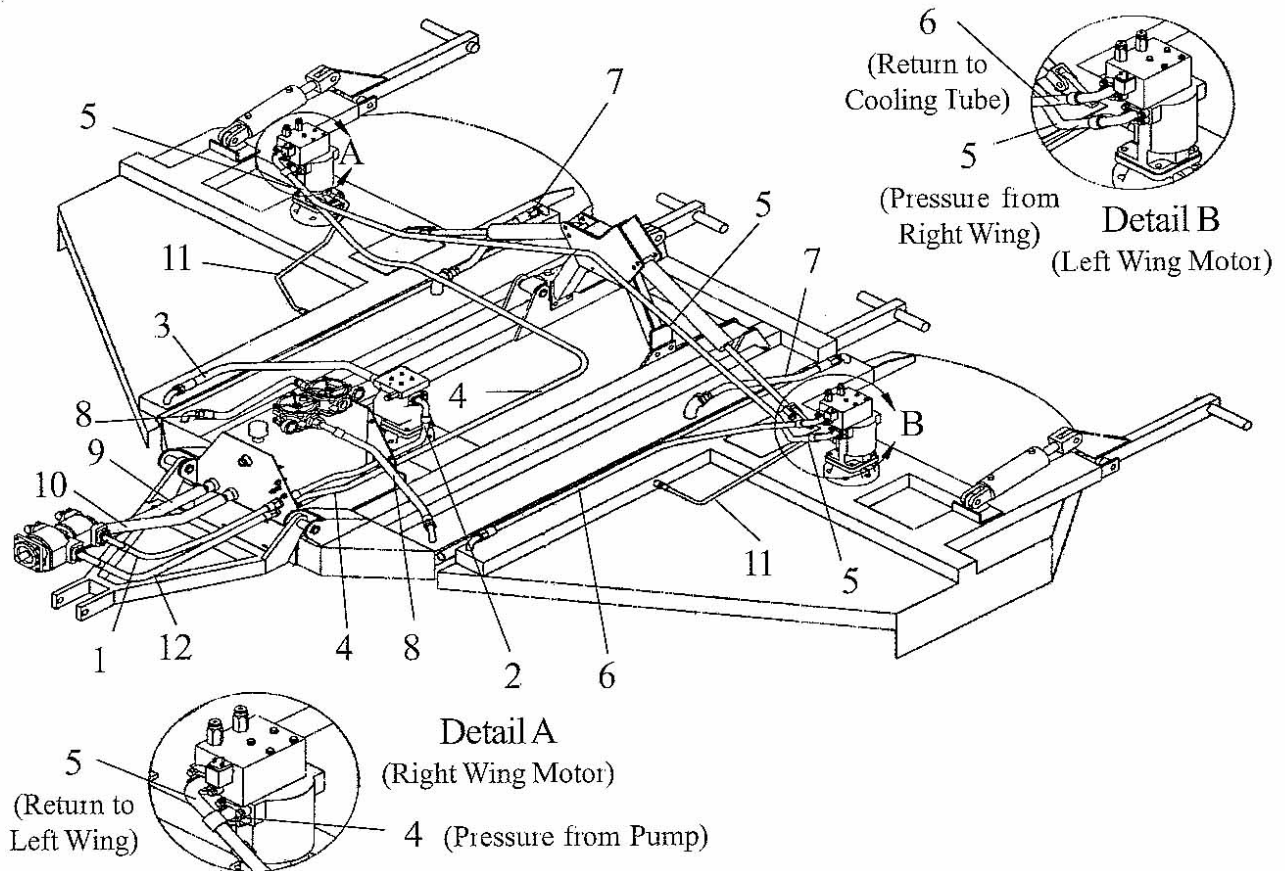
ITEM	PART NO.	QTY.	DESCRIPTION
1	00380200	-	VALVE ASY, 3 SPL OPEN CTR
2	00759833	1	VALVE ASY, 3 SPL CLOSED CTR
3	00751139	2	DETENT KIT, F/ 00380200 VALVE
4	00751140	-	RELIEF VALVE KIT - 003802
5	00751142	3	HANDLE ASY, F/ 00380200
6	00751141	-	PLUG KIT, F/OPEN CTR, F/ 00380200
7	00751002	1	PLUG KIT, F/CLOSED CTR.
8	00751358	-	REPAIR KIT, SPRING RETURN
9	00751556	1	SPOOL SEAL KIT, F/ 00380200 VALVE
10	00752057	1	NON-RELIEF VALVE PLUG

## HYD HOSE SCHEMATIC - PUMP & MOTOR - 10 FT. MOWER



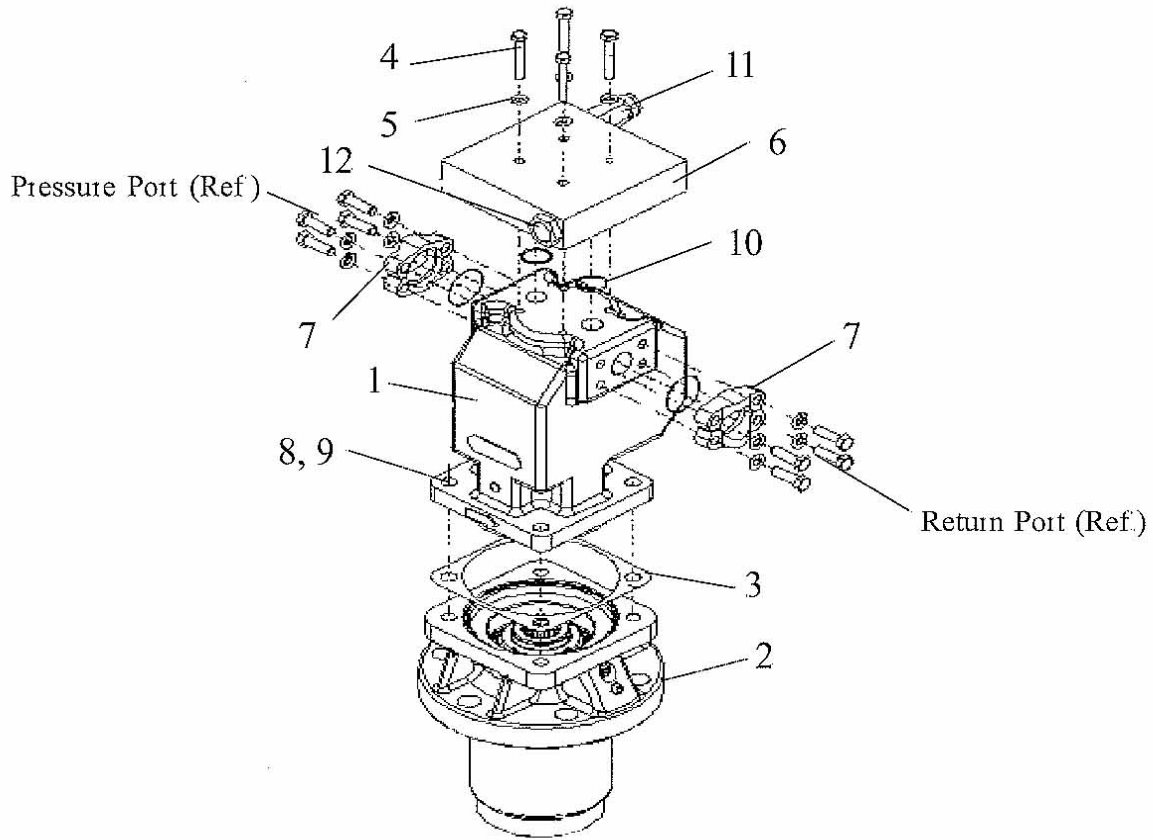
ITEM	PART NO.	QTY.	DESCRIPTION
	02979583	-	DRAWING, HOSE SCHEMATIC, PUMP & MOTOR
1	02979407	1	HOSE ASY, #16 - 16FJX - 16FL90 - 55" LG
2	02979408	1	HOSE ASY, #16 - 16FX - 16FL90 - 35" LG
3	02979409	1	HOSE ASY, #16 - 16FJX - 16FL - 45" LG
4	02979410	1	HOSE ASY, #16 - 16FJX - 16FL90 - 142" LG
5	00755474	1	HOSE ASY, #16 - 16FJX - 16MPX - 27" LG
6	02979559	2	HOSE ASY, #16 - 16FJX - 16FJX45 - 38" LG
7	02979878	1	HOSE, SUCTION #24 - 24FL90 - 63" LG
8	02979877	1	HOSE, SUCTION #24 - 24FL90 - 55" LG
9	00762693	1	HOSE ASY, #4 - 4FJX - 4FJX - 38" LG
10	02979584	1	HOSE ASY, #16 - 16FJX90 - 16FL90 - 100" LG
11	02979876	1	HOSE ASY, #16 - 16FJX - 16FL90 - 63" LG

## HYD HOSE SCHEMATIC - PUMP & MOTOR - 15 FT. MOWER



ITEM	PART NO.	QTY.	DESCRIPTION
	02979582	-	DRAWING, HOSE SCHEMATIC, PUMP & MOTOR
1	02979407	1	HOSE ASY, #16 - 16FJX - 16FL90 - 55" LG
2	02979408	1	HOSE ASY, #16 - 16FX - 16FL90 - 35" LG
3	02979409	1	HOSE ASY, #16 - 16FJX - 16FL - 45" LG
4	02979410	1	HOSE ASY, #16 - 16FJX - 16FL90 - 142" LG
5	02979411	1	HOSE ASY, #16 - 16FL90 - 16FL90 - 134" LG
6	02979412	1	HOSE ASY, #16 - 16FJX - 16FJ90 - 68" LG
7	00755474	2	HOSE ASY, #16 - 16FJX - 16MPX - 27" LG
8	02979559	2	HOSE ASY, #16 - 16FJX - 16FJX - 30" LG
9	02979878	1	HOSE, SUCTION #24 - 24FL90 - 63" LG
10	02979877	1	HOSE, SUCTION #24 - 24FL90 - 55" LG
11	00762693	2	HOSE ASY, #4 - 4FJX - 4FJX - 38" LG
12	02979876	1	HOSE ASY, #16-16FJX - 16FL90 - 63" LG

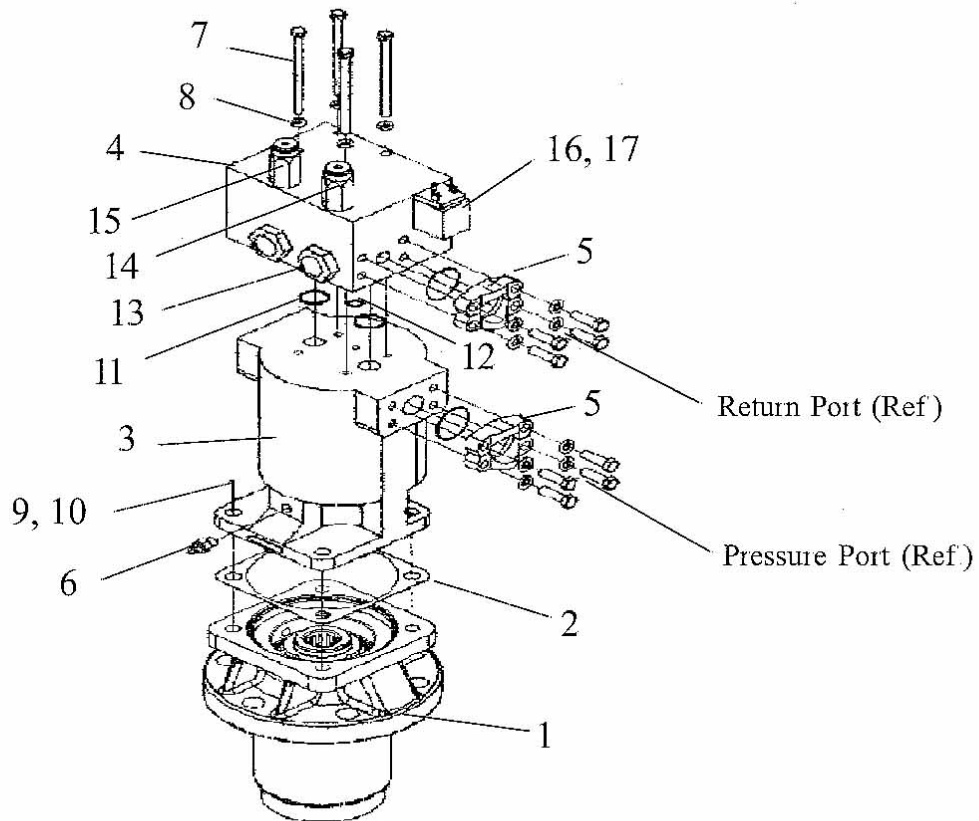
## HYD MOTOR & SPINDLE ASY - CENTER SECTION



ITEM	PART NO.	QTY.	DESCRIPTION
	02979415	-	MOTOR & SPINDLE ASY, CTR SECTION
1	02978485	1	MOTOR, CTR SECTION
2	02960553B	1	SPINDLE HOUSING ASY, SPLINED
3	02961038	1	GASKET, SPINDLE/MOTOR
4	00016200	4	BOLT, HEX HEAD 5/16"-NC X 2 PL GR5
5	00011700	4	LOCKWASHER, 5/16" PL STD
6	02978488	1	MANIFOLD BLOCK, CTR MOTOR
7	00750317	2	SPLIT FLANGE KIT, #16
8	02892000	4	BOLT, HEX HEAD 1/2"-13NC X 1-1/2" PL GR8
9	00001300	4	LOCKWASHER, 1/2" PL STD
10	02979490	-	O-RING
11	02979493	-	RELIEF CARTRIDGE, PILOT 3000PSI
12	02979497	-	CARTRIDGE, CHECK VALVE

**THIS PAGE INTENTIONAL LEFT BLANK**

## HYD MOTOR & SPINDLE ASY - LH WING SECTION



ITEM	PART NO.	QTY.	DESCRIPTION
	02979417	-	MOTOR & SPINDLE ASY, LH WING
1	02960553B	1	SPINDLE HOUSING ASY, SPLINED
2	02961038	1	GASKET, SPINDLE/MOTOR
3	02978487	1	MOTOR, LH WING
4	02978489A	1	MANIFOLD BLOCK, LH WING MOTOR
5	00750317	2	SPLIT FLANGE KIT, #16
6	02962181	1	ADAPTER, HYD STRAIGHT
7	02733700	4	BOLT, HEX HEAD 5/16"-NC X 4-1/2" PL GR5
8	00011700	4	LOCKWASHER, 5/16 PL STD
9	02892000	4	BOLT, HEX HEAD 1/2"-13 NC X 1-1/2" PL GR8
10	00001300	4	LOCKWASHER, 1/2 PL STD
11	02979490	-	O-RING
12	02979489	-	O-RING
13	02979494	-	CARTRIDGE, SPOOL TYPE LOGIC,
	02980979	-	O-RING (F/LOGIC CARTRIDGE)
14	02979492	-	RELIEF CARTRIDGE, 800 PSI PILOT
15	02979491	-	RELIEF CARTRIDGE, 2000 PSI PILOT

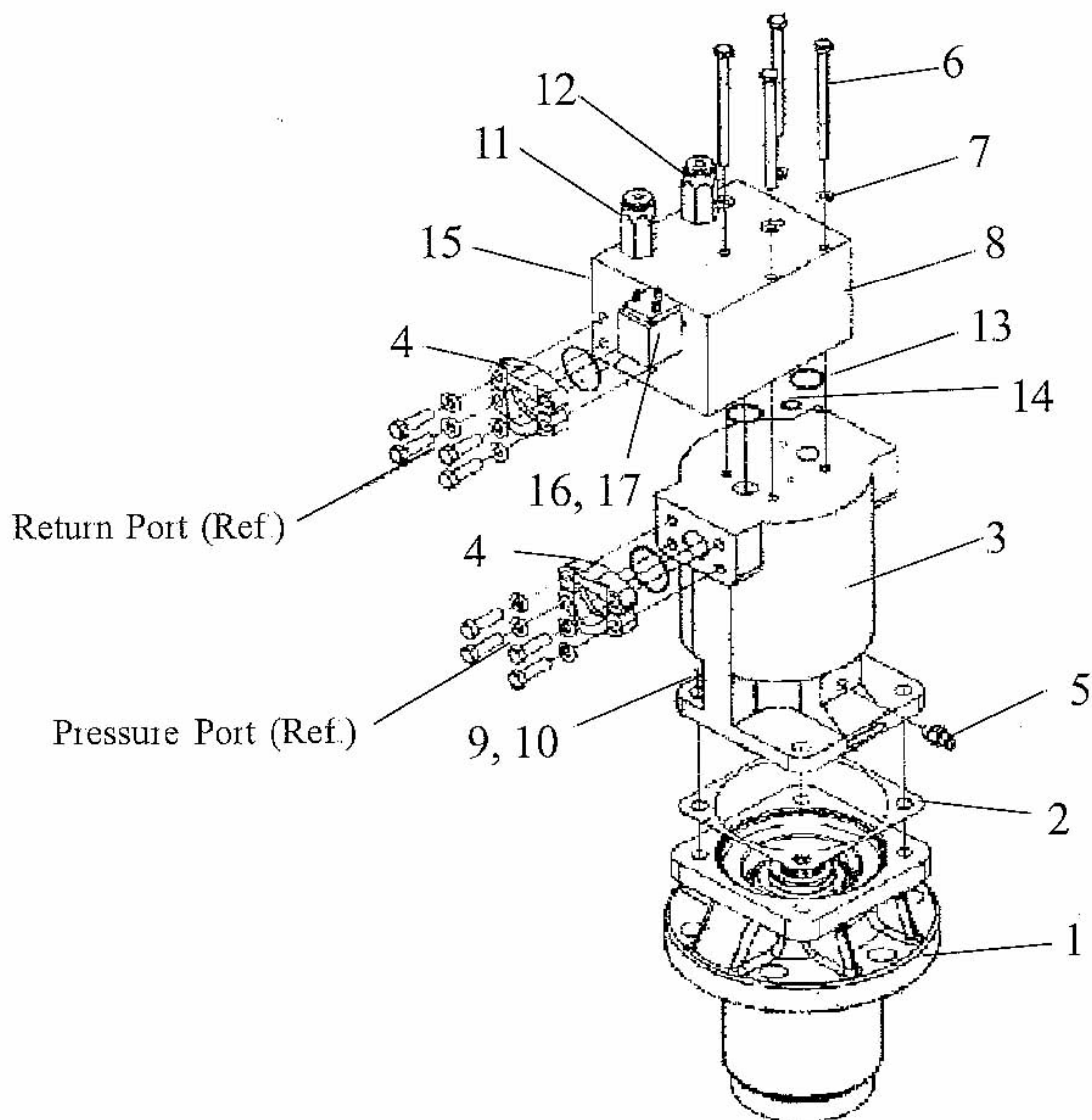


## HYD MOTOR & SPINDLE ASY - LH WING SECTION

Continued...

ITEM	PART NO.	QTY.	DESCRIPTION
	02979191	-	RELIEF SEAL KIT
16	02979495	-	STEM, SO 3WZP
17	02979496	-	COIL, 12VOC
18	02979330	-	CARTRIDGE VALVE SEAL KIT

## HYD MOTOR & SPINDLE ASY - RH WING SECTION



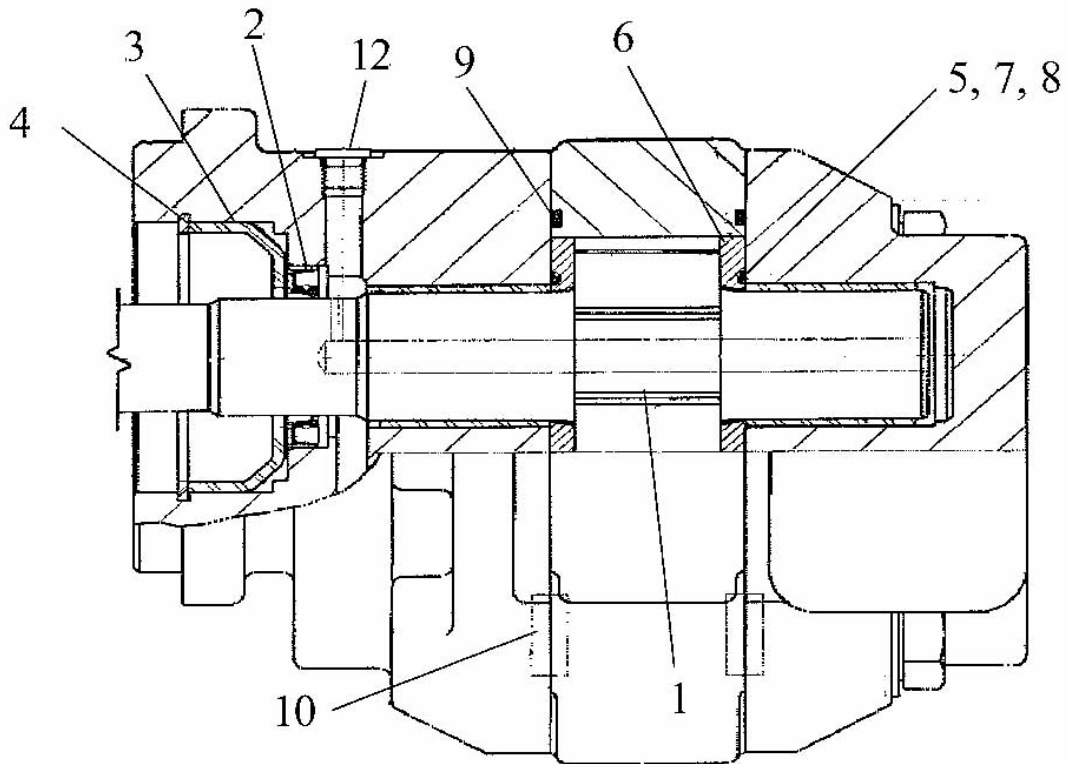
ITEM	PART NO.	QTY.	DESCRIPTION
	02979416	-	MOTOR & SPINDLE ASY, RH WING
1	02960553B	1	SPINDLE HOUSING ASY, SPLINED
2	02961038	1	GASKET, SPINDLE/MOTOR
3	02978486	1	MOTOR, RH WING
4	00750317	2	SPLIT FLANGE KIT, #16
5	02962181	1	ADAPTER, HYD STRAIGHT
6	02733700	4	BOLT, HEX HEAD 5/16"-NC X 4-1/2" PL GR5
7	00011700	4	LOCKWASHER, 5/16 PL STD
8	02978489A	1	MOTOR MANIFOLD, RH WING
9	02892000	4	BOLT, HEX HEAD 1/2"-13 NC X 1-1/2" PL GR8

## HYD MOTOR & SPINDLE ASY - RH WING SECTION

Continued...

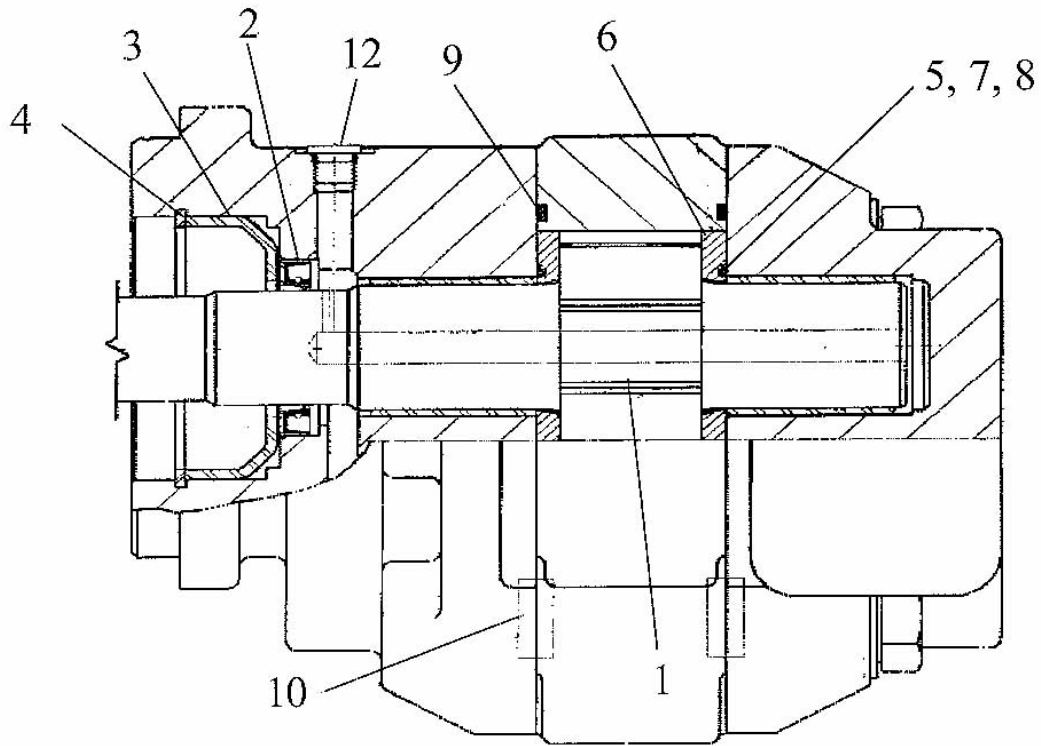
ITEM	PART NO.	QTY.	DESCRIPTION
10	00001300	4	LOCKWASHER, 1/2 PL STD
11	02979492	-	RELEIEF CARTRIDGE, 800 PSI PILOT
12	02979491	-	RELIEF CARTRIDGE, 2000 PSI PILOT
13	02979490	-	O-RING
14	02979489	-	O-RING
15	02979494	-	CARTRIDGE, SPOOL TYPE LOGIC
16	02979495	-	STEM, SO 3WZP
17	02979496	-	COIL, 12VOC

## HYD MOTOR PARTS - CENTER SECTION



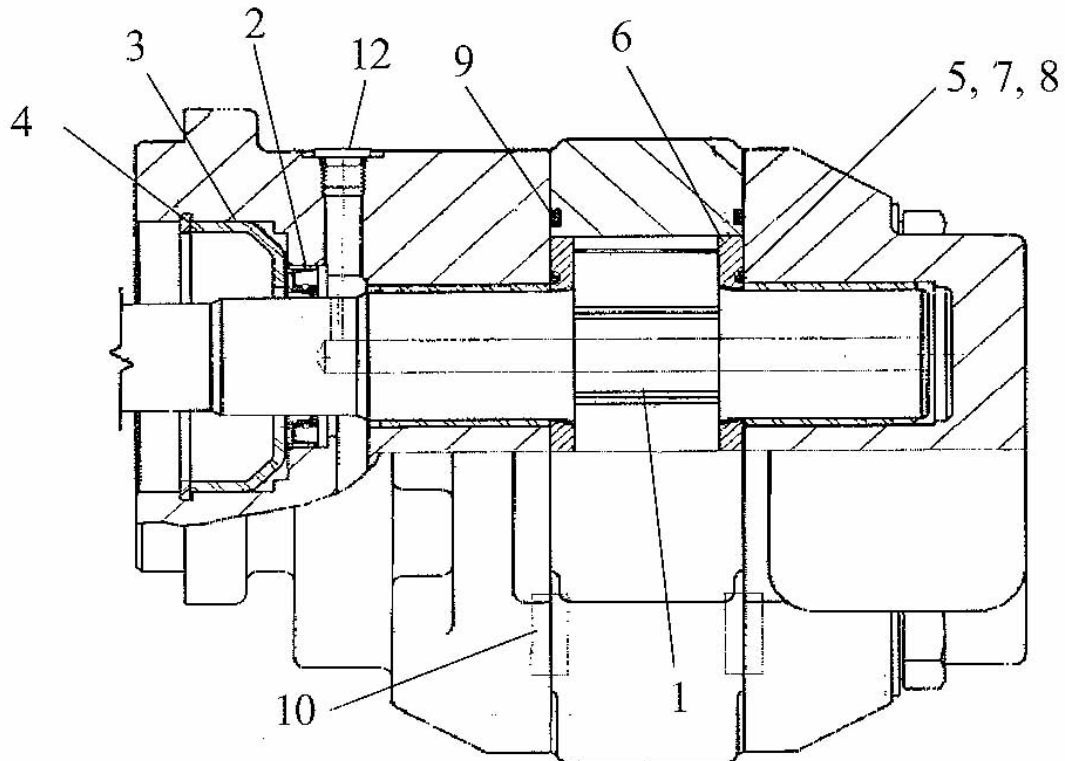
ITEM	PART NO.	QTY.	DESCRIPTION
	02978485	-	MOTOR, CTR MOTOR
1	02979968	1	SET, GEAR SHAFT, CTR MOTOR
2	02979958	1	LIP SEAL, CTR MOTOR
3	02979959	2	RETAINER SEAL, CTR MOTOR
4	02979960	2	SNAP RING, CTR MOTOR
5	02979961	2	SEAL BACKUP, CTR MOTOR
6	02979962	2	THRUST PLATE, CTR MOTOR
7	02979963	8	SEAL, END - CTR MOTOR
8	02979964	2	SEAL, SIDE - CTR MOTOR
9	02979965	2	SEAL, SQ-R - CTR MOTOR
10	02979966	4	DOWEL PIN, CTR MOTOR
11	02980331	1	SEAL KIT
12	02979967	4	PLUG, ODT - CTR MOTOR

## HYD MOTOR PARTS - LH WING SECTION



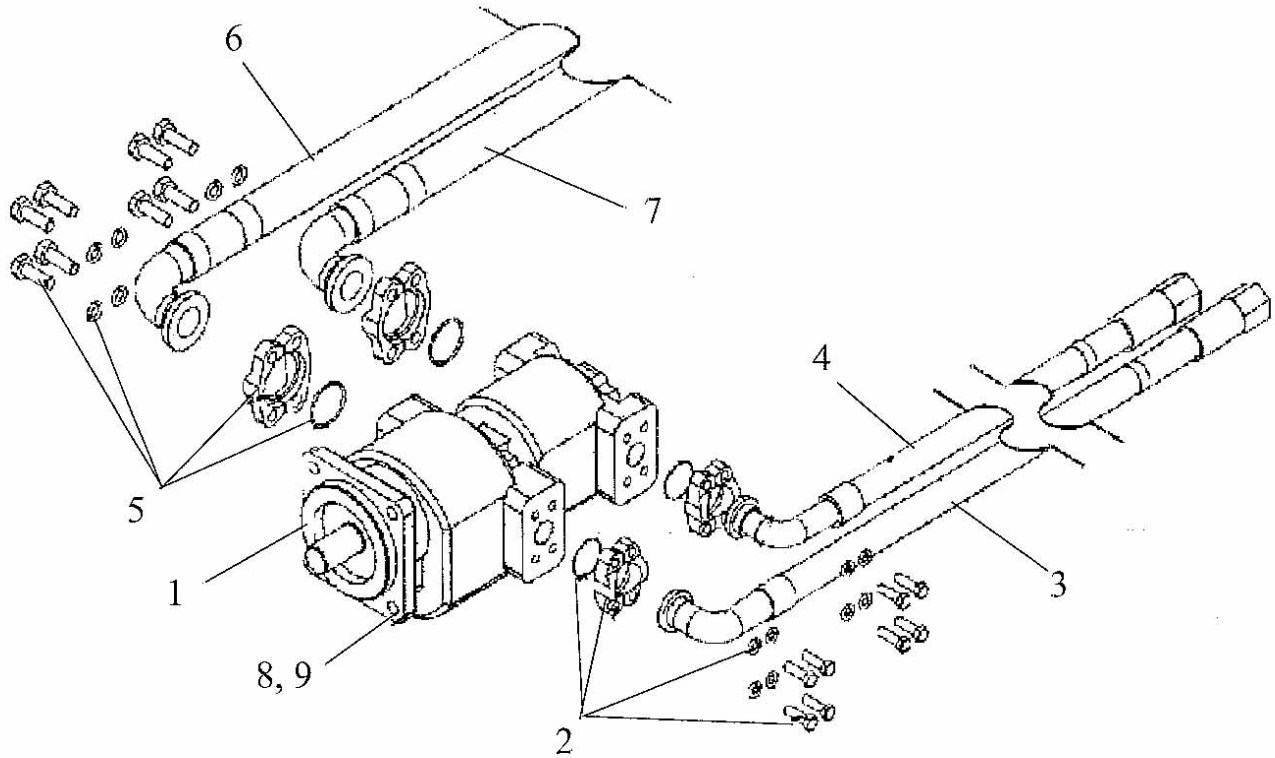
ITEM	PART NO.	QTY.	DESCRIPTION
	02978487	-	MOTOR, LH WING MOTOR
1	02979977	1	SET, GEAR SHAFT, LH WING MOTOR
2	02979969	1	LIP SEAL, LH WING MOTOR
3	02979970	2	RETAINER SEAL, LH WING MOTOR
4	02979971	2	SNAP RING, LH WING MOTOR
5	02979972	2	SEAL BACKUP, LH WING MOTOR
6	02979973	2	THRUST PLATE, LH WING MOTOR
7	02979974	8	SEAL, END - LH WING MOTOR
8	02979975	2	SEAL, SIDE - LH WING MOTOR
9	02979976	2	SEAL, SQ-R - LH WING MOTOR
10	02979953	4	DOWEL PIN, LH WING MOTOR
11	02980330	1	SEAL KIT
12	02979967	4	PLUG, ODT - LH WING MOTOR

## HYD MOTOR PARTS - RH WING SECTION



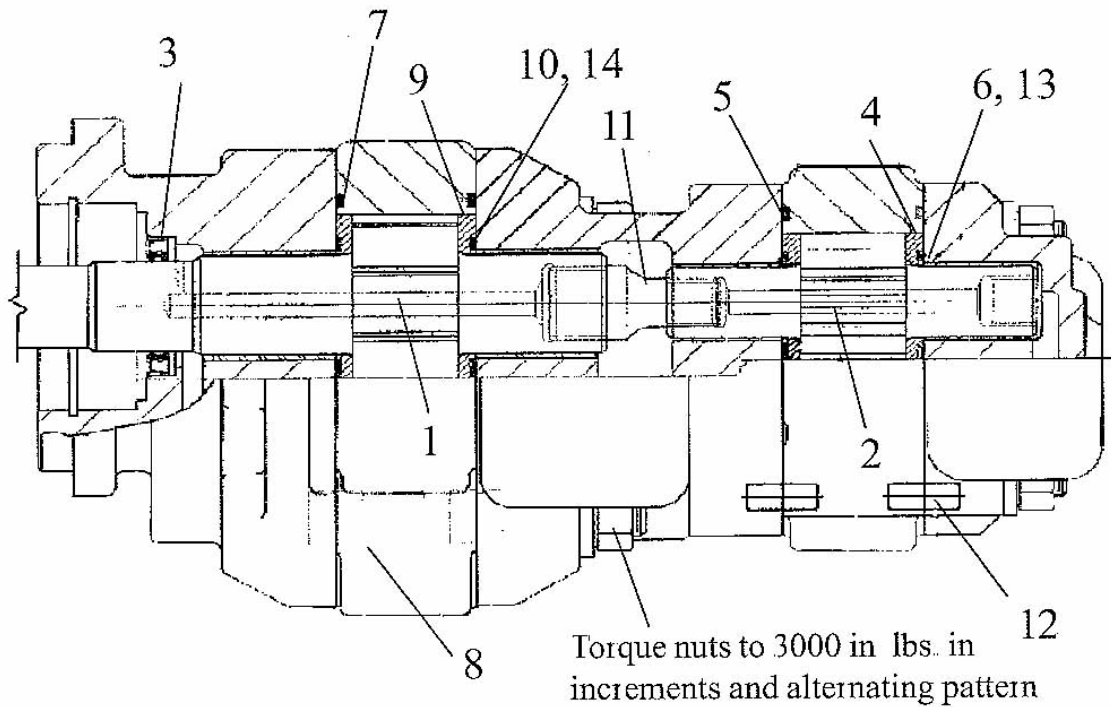
ITEM	PART NO.	QTY.	DESCRIPTION
	02978486	-	MOTOR, RH WING MOTOR
1	02979977	1	SET, GEAR SHAFT, RH WING MOTOR
2	02979969	1	LIP SEAL, RH WING MOTOR
3	02979970	2	RETAINER SEAL, RH WING MOTOR
4	02979971	2	SNAP RING, RH WING MOTOR
5	02979972	2	SEAL BACKUP, RH WING MOTOR
6	02979973	2	THRUST PLATE, RH WING MOTOR
7	02979974	8	SEAL, END - RH WING MOTOR
8	02979975	2	SEAL, SIDE - RH WING MOTOR
9	02979976	2	SEAL, SQ-R - RH WING MOTOR
10	02979953	4	DOWEL PIN, RH WING MOTOR
11	02980330	1	SEAL KIT
12	02979967	4	PLUG, ODT - RH WING MOTOR

## HYD PUMP & HOSE ASY - TANDEM PUMP



ITEM	PART NO.	QTY.	DESCRIPTION
1	02978484	1	HYD PUMP ASY (PUMP ONLY)
2	00750317	2	SPLIT FLG KIT, 1" W/FLNG 1/2'S,BOLTS,O-RING & WASHERS
	02778400	2	O-RING, REPLACEMENT (1.296" ID X .139 THK - AS-219)
3	02979876	1	HOSEASY, #16 - 16FJX - 16FL90 - 63" LG
4	02979407	1	HOSE ASY, #16 - 16FL90 -16FJX - 55" LG
5	00749101	2	SPLIT FLANGE KIT, 1-1/2" W/ FLNG 1/2" S, BOLTS, O-RING & WASHERS
	-----	2	O-RING, REPLACEMENT (1.859" ID X .139 THK - AS-225)
6	02979878	1	HOSE ASY, #24 - 24FL90 - 63" LG (SUCTION)
7	02979877	1	HOSE ASY, #24 - 24FL90 - 55" LG (SUCTION)
8	00748823	4	BOLT, HEX HEAD 1/2"-13UNC X 1-1/2" PL GR5 (PUMP TO SPEED INCREASER MOUNTING BOLTS)
9	00001300	4	LOCKWASHER, 1/2" PL STD (PUMP TO SPEED INCREASER MOUNTING WASHERS)

## HYD PUMP REPLACEMENT PARTS - P/N 02978484

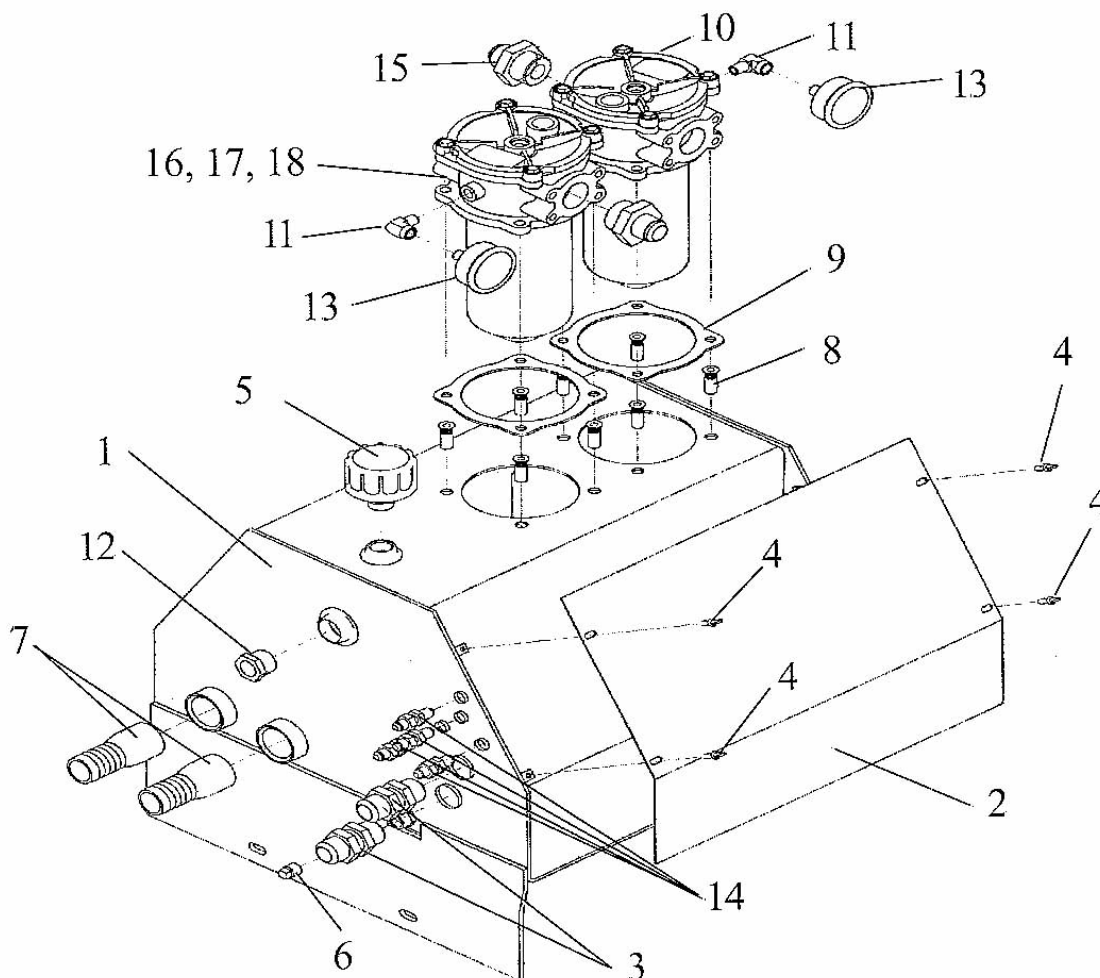


ITEM	PART NO.	QTY.	DESCRIPTION
	02978484	-	HYD PUMP ASY, TANDEM PUMP
1	02979956	1	GEAR SET, (LARGE GEAR SET)
2	02979957	1	GEAR SET, (SMALL GEAR SET)
3	02979944	1	LIP SEAL, INPUT SHAFT
4	02979945	2	THRUST PLATE, (F/ SMALL GEARS)
5	02979946	2	SEAL, SQ-R, (F/ SMALL GEARS)
6	02979947	2	SEAL CHANNEL, (F/ SMALL GEARS)
7	02979948	2	SEAL O-RING, (F/ LARGE GEARS)
8	02979949	8	DOWEL PIN, (F/ LARGE GEARS)
9	02979950	2	THRUST PLATE, (F/ LARGE GEARS)
10	02979951	2	SEAL CHANNEL, (F/ LARGE GEARS)
11	02979952	1	SHAFT CONNECTOR
12	02979953	4	DOWEL PIN, (F/ SMALL GEARS)
13	02979954	2	SEAL, BACKUP (F/ SMALL GEARS)
14	02979955	2	SEAL, BACKUP (F/ LARGE GEARS)
15	02980332	1	SEAL KIT, (THRUST PLATES NOT INCLUDED)



**THIS PAGE INTENTIONAL LEFT BLANK**

## HYD TANK ASY - P/N 02979348



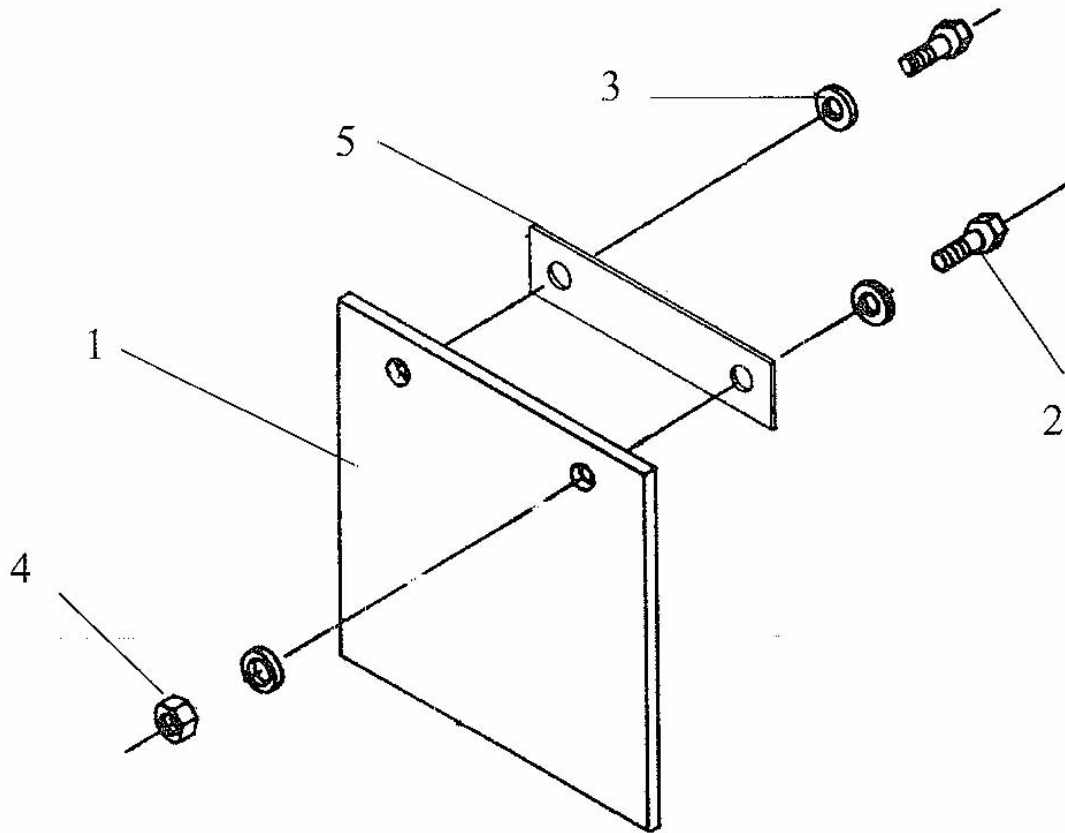
ITEM	PART NO.	QTY.	DESCRIPTION
	02979348	-	TANK ASY, COMPLETE
1	02979347	1	TANK WELDMENT
2	00755464	1	COVER PLATE, HYD TANK
3	00751846	2	ADAPTER, HYD STRAIGHT 16MJ - 16MJ
4	00751588	4	THUMB SCREW, 1/4"-20UNC X 3/4" LG
5	00770429	1	FILLER, BREATHER W/VALVE
6	00752772	1	MAGNETIC PLUG, 3/8" NPT
7	02411000	2	FITTING, HOSE BIB #24 HOSE - 24MP
8	02976125	8	INSERT KNURLED & THREADED
9	02963662	2	GASKET, FILTER ASY (FIBER)
10	02964748	2	FILTER, MODIFIED
11	0075000	2	ADAPTER, PIPE ELBOW
12	02049700	1	SIGHT GAUGE, 16MP
13	02962963	2	DIAL INDICATOR, IN TANK FILTER

## HYD TANK ASY - P/N 02979348

Continued...

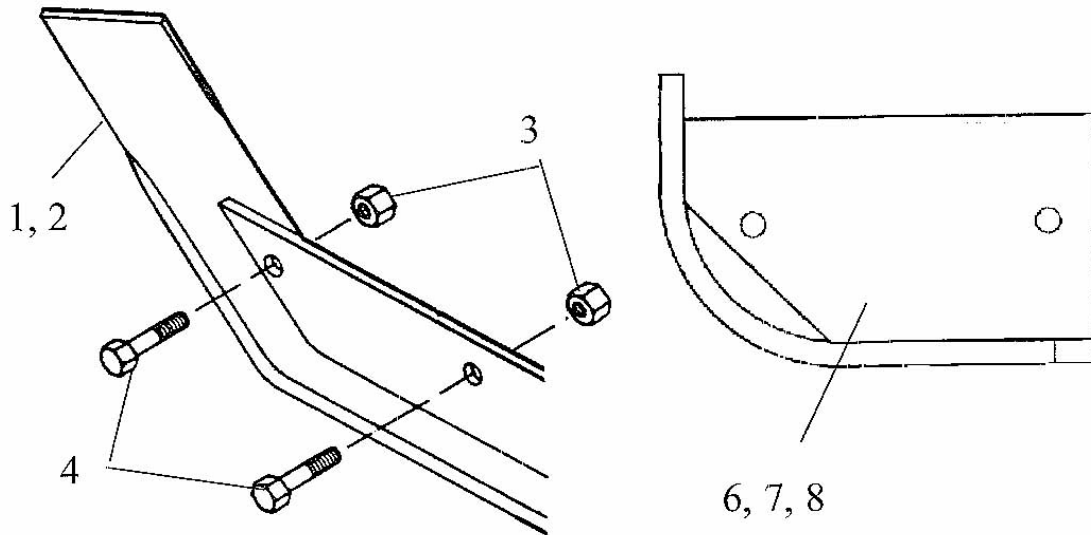
ITEM	PART NO.	QTY.	DESCRIPTION
14	001627	4	ADAPTER, HYD STRAIGHT BULKHEAD
15	002529	2	ADAPTER, HYD STRAIGHT 20MP - 16MJ
16	10121000	8	BOLT, HEX HEAD 5/16"-NC X 1-1/4" PL GR5
17	00011700	8	LOCKWASHER, 5/16" PL STD
18	00023500	8	FLATWASHER, 5/16" TYPE AW ZP

## RUBBER FLAP - REAR WINGS



ITEM	PART NO.	QTY.	DESCRIPTION
1	00752051	2	RUBBER FLAP, F/ INNER REAR WING
2	02718900	2	BOLT, HEX HEAD 7/16"-NC X 1-3/4" PL
3	00019700	8	FLATWASHER, 7/16" PL STD
4	02957941	4	LOCKNUT, TOPLOCK 7/16"-NC
5	00751997	2	FLAP STRAP

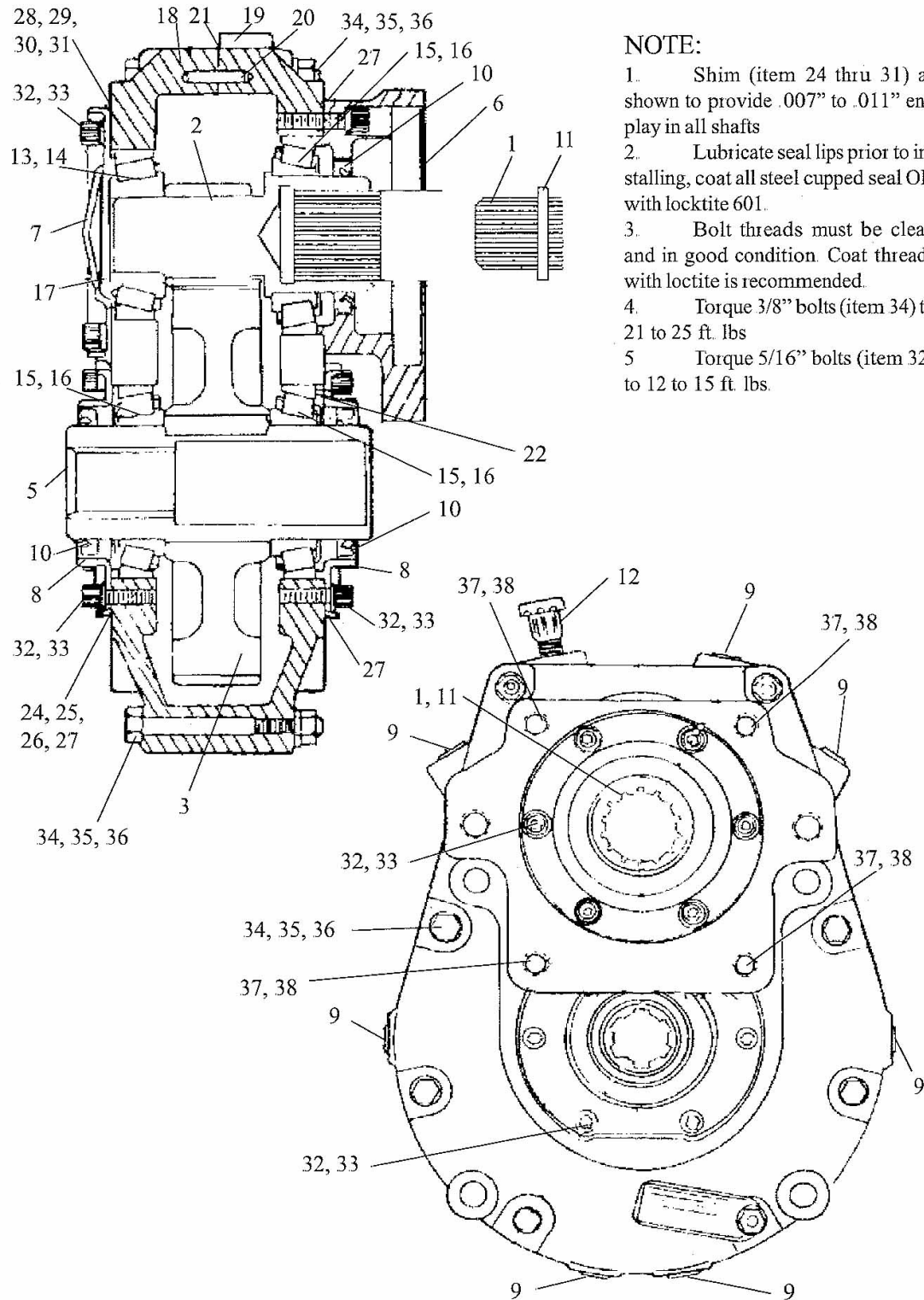
## SKID SHOES - CENTER & WING SECTIONS



ITEM	PART NO.	QTY.	DESCRIPTION
1	00750993	1	SKID SHOE WELDMENT, RH WING (SHOWN)
2	00750989	1	SKID SHOE WELDMENT, LH WING
3	02716500	4	LOCKNUT, TOPLOCK 1/2"-NF PLB
4	00749171	4	BOLT, HEX HEAD 1/2"-20UNF X 1-1/4" PL GR5
5	00750991	-	SKID SHOE KIT, LH & RH WING, (ITEMS 1,2,3 & 4)
6	00751305	2	SKID SHOE WELDMENT, CENTER SECTION
7	00749171	4	BOLT, HEX HEAD 1/2"-20UNF X 1-1/4" PL GR5
8	02716500	4	LOCKNUT, TOPLOCK 1/2"-NF PLB

# SPEED INCREASER ASY - P/N 00751488

Speed In increaser Asy 540 rpm - P/N 00751488



**NOTE:**

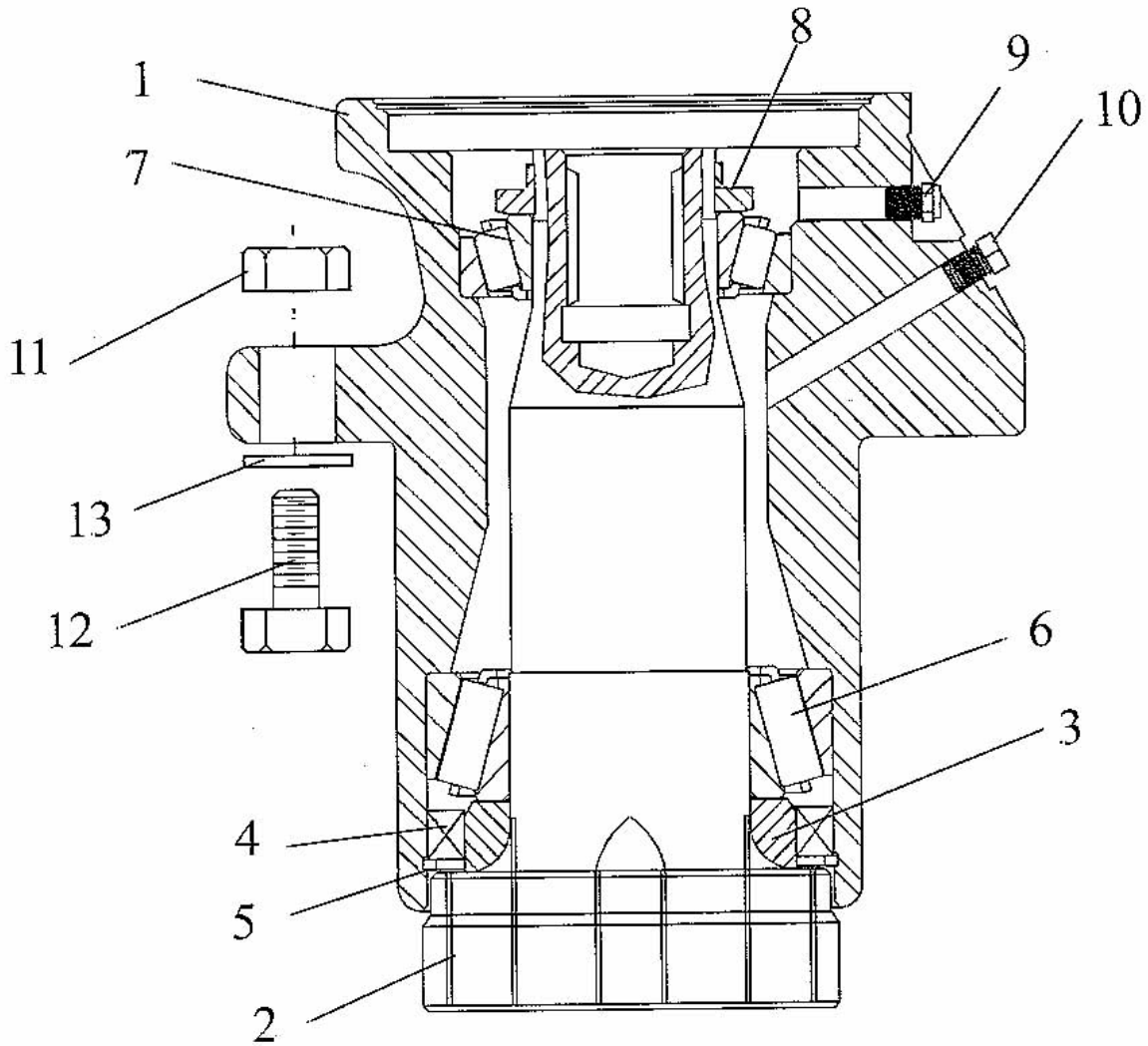
1. Shim (item 24 thru 31) as shown to provide .007" to .011" end play in all shafts
2. Lubricate seal lips prior to installing, coat all steel cupped seal OD with locktite 601.
3. Bolt threads must be clean and in good condition. Coat threads with loctite is recommended.
4. Torque 3/8" bolts (item 34) to 21 to 25 ft. lbs
5. Torque 5/16" bolts (item 32) to 12 to 15 ft. lbs.

**SPEED INCREASER ASY - P/N 00751488**

**Continued...**

<b>ITEM</b>	<b>PART NO.</b>	<b>QTY.</b>	<b>DESCRIPTION</b>
	00751488	-	SPEED INCREASER ASY, SPEED UP (540 RPM PTO)
1	00751536	1	SPLINE ADAPTER
2	00751531	1	GEAR, HIGH SPEED (18 TOOTH)
5	00752179	1	GEAR & SHAFT, LOW SPEED (72 TOOTH)
6	00751948	1	PUMP FLANGE, C-2 C-4
7	00751949	1	COVER, CLOSED
8	00751950	2	COVER, OPEN
9	00751970	8	PIPE PLUG, 3/8" - SOCKET HEAD
	00752772	1	MAGNETIC PLUG, 3/8" NPT (INSTALL AS BOTTOM PLUG)
10	00751535	3	SEAL
11	00751954	1	RETAINING SNAP RING
12	00751942	1	BREATHER
13	00757533	1	BEARING CUP
14	00751533	1	BEARING CONE
15	00749201	3	BEARING CUP
16	00749200	3	BEARING CONE
17	00751953	1	SPACER RING
18	00751955	1	HOUSING
19	00751956	1	HOUSING, PUMP SIDE
20	00751957	2	DOWEL, 1/4" X 1"
21	00751958	1	GASKET (.015)
22	00751971	2	SPACER RING
24	00751959	-	SHIM (.005 ALUM)
25	00751960	-	SHIM (.007 ALUM)
26	00751961	-	SHIM (.020 ALUM)
27	00751962	-	SHIM (.005 FIBER) USE P/N 00751959
28	00751963	-	SHIM (.005 ALUM)
30	00751965	-	SHIM (.007 ALUM)
31	00751966	-	SHIM (.020 ALUM)
32	00751967	24	BOLT, SOCKET HEAD 5/16"-NC X 1" PL GR5
34	00751969	8	BOLT, HEX HEAD 3/8"-NC X 3-1/4" PL GR5
33	00751968	24	LOCKWASHER, 5/16" HI COLLAR
35	00013901	8	NUT, HEX 3/8"-NC PL
36	00012101	8	LOCKWASHER, 3/8" PL HVY
37	00748823	4	BOLT, HEX HEAD 1/2"-13UNC X 1-1/2" PL GR5 (PUMP MOUNTING BOLTS)
38	00001300	4	LOCKWASHER, 1/2" PL STD (PUMP MOUNTING LOCKWASHERS)

**SPINDLE & HOUSING ASY - P/N 02960553B**



ITEM	PART NO.	QTY.	DESCRIPTION
	02960553B	-	SPINDLE & HOUSING ASY, SPLINED
1	02963815	1	HOUSING, MACHINED SPINDLE
2	02960561	1	SPINDLE, SPLINED
3	02960558	1	BEARING RING
4	02960559	1	SEAL
5	00754627	1	SNAP RING
6	02960557	1	BEARING CUP & CONE ASY - LARGE
7	00755628	1	BEARING CUP & CONE ASY - SMALL (USE P/N 00769938)
8	02962030	1	LOCKNUT, SPINDLE BEARING

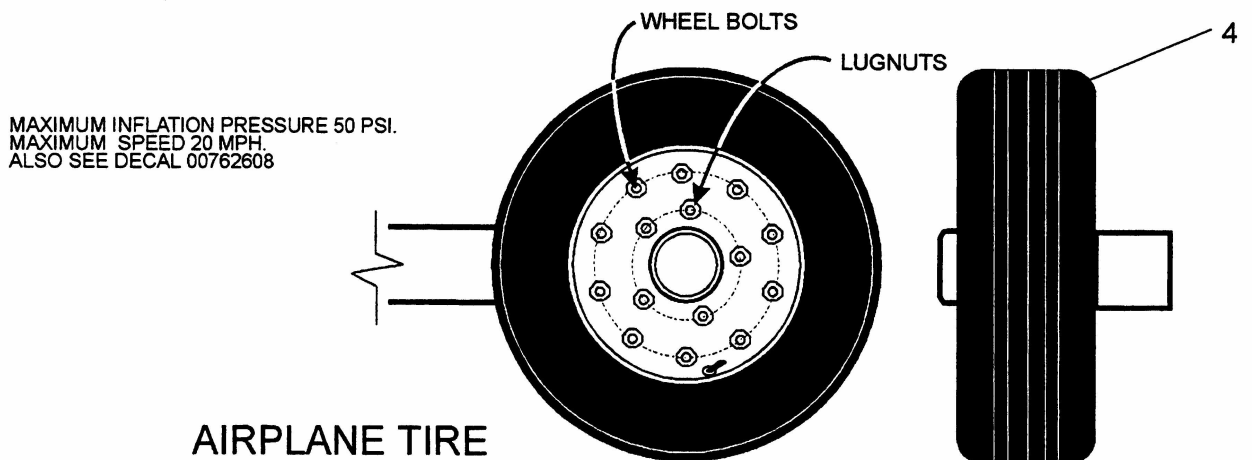
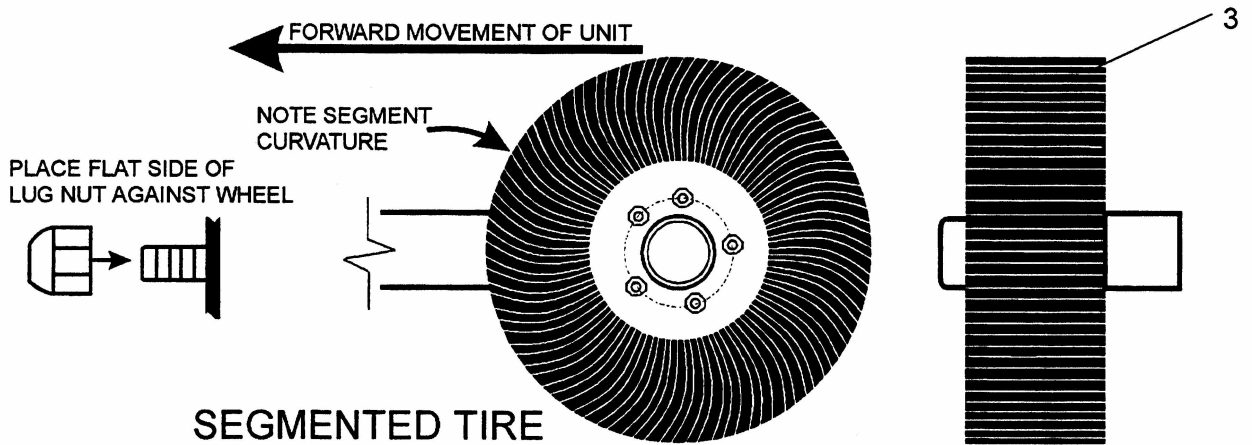
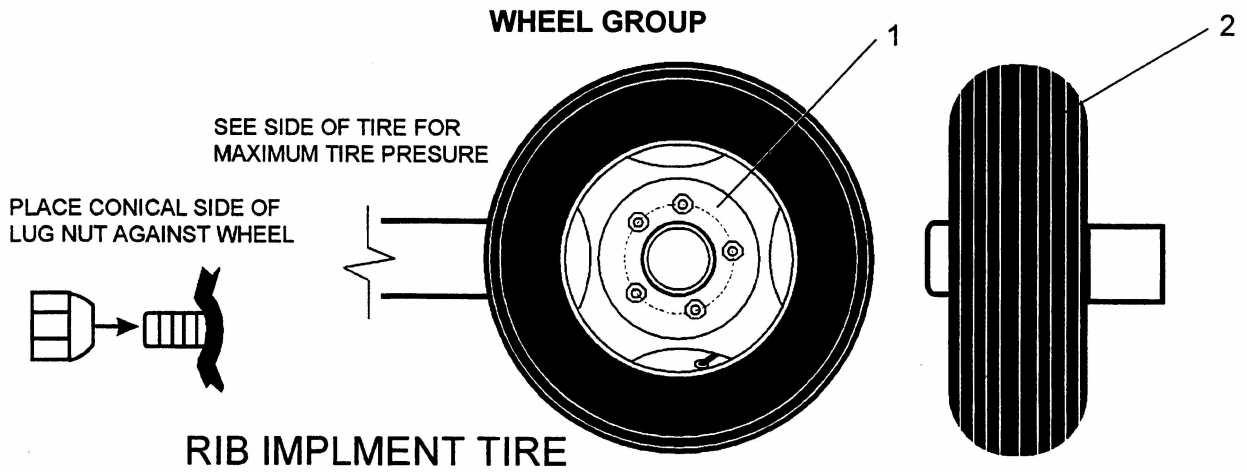


## SPINDLE & HOUSING ASY - P/N 02960553B

Continued...

ITEM	PART NO.	QTY.	DESCRIPTION
9	02979570	1	GREASE RELIEF FITTING, 1-5LBS
10	00565000	1	PLUG, HEX HEAD PIPE 1/8-27NPT
11	00037200	6	LOCKNUT, TOPLOCK 3/4"-NC PLC
12	02960521	6	BOLT, HEX HEAD 3/4"-NC X 2-3/4" PL GR8
13	5312316	6	WASHER, HARDENED (SPECIAL)

# TIRE & WHEEL ASSEMBLIES

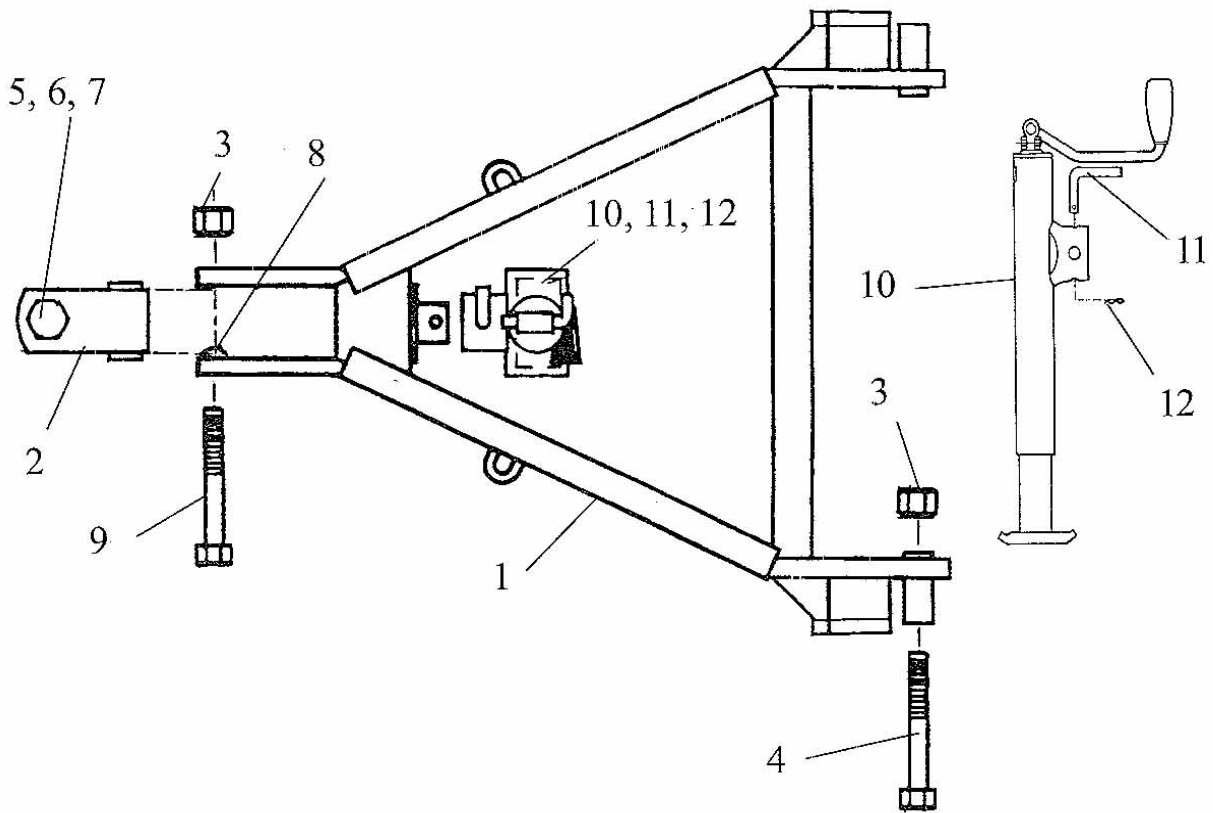


## TIRE & WHEEL ASSEMBLIES

Continued...

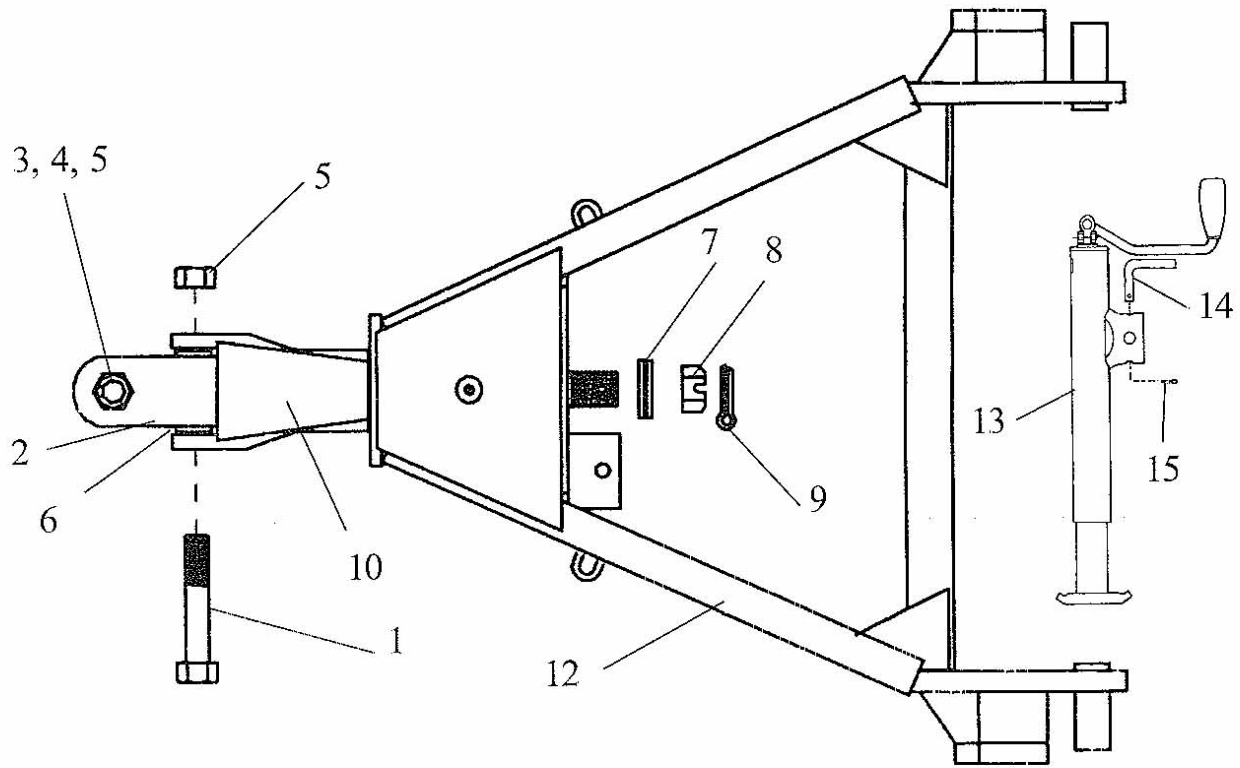
ITEM	PART NO.	QTY.	DESCRIPTION
1	00008700	-	WHEEL, RIM ONLY
2	00749698	-	WHEEL & IMPLEMENT TIRE ASY
3	00025200	-	SECTIONAL TIRE & WHEEL ASY
4	00749700	-	USED AIRPLANE TIRE -N/A USE 00771461 IN SETS IF NEEDED
5	00766911A	-	USED AIRPLANE TIRE & WHEEL FOAM FILLED (23"OD)
	00766911	-	USED AIRPLANE TIRE & WHEEL FOAM FILLED (21.5" OD) USE FOR PARTS ONLY

## TONGUE ASY & PARKING JACK - (STANDARD)



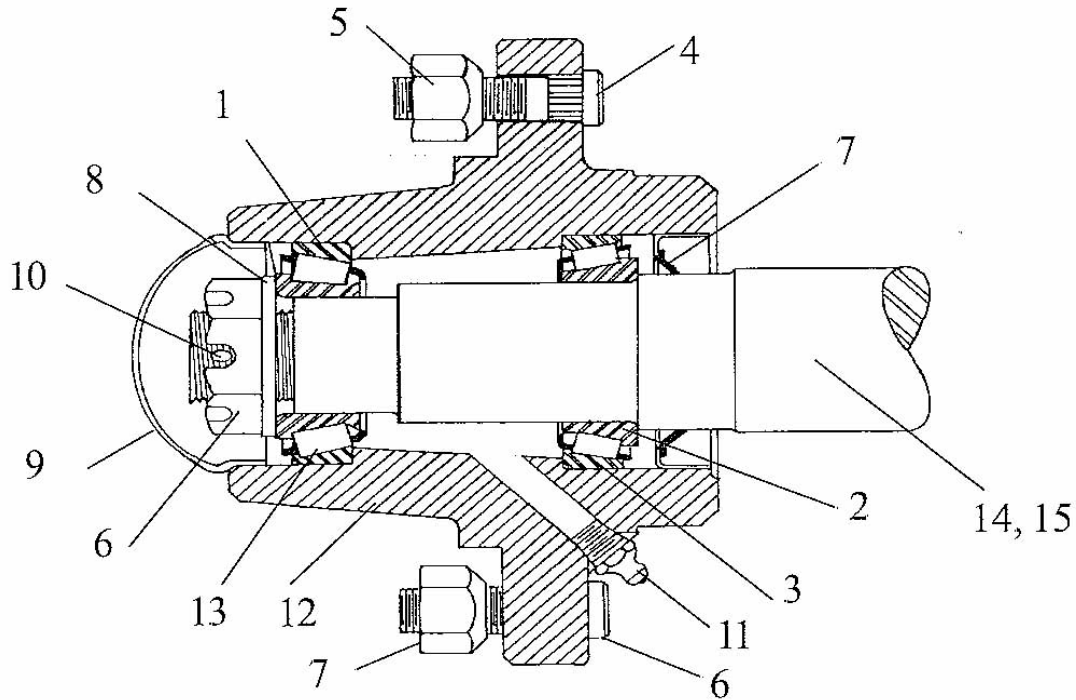
ITEM	PART NO.	QTY.	DESCRIPTION
1	00755230	1	TONGUE WELDMENT, F/ 1 OR 2 CONTROL RODS
2	00748807	1	CLEVIS WELDMENT
3	02030300	3	LOCKNUT, TOPLOCK 1"-NC PLB
4	00760359	3	BOLT, HEX HEAD 1"-8UNC X 6-3/4" LG GR8
5	02712500	1	BOLT, HEX HEAD 1"-NC X 4" PL GR8 SPECIAL
6	02030300	1	LOCKNUT, TOPLOCK 1"-NC PLB
7	00748547	2	FLATWASHER, 1-1/32" ID X 2-3/16" OD X .22" THK
8	00757478	1	SPRING WASHER
9	00016700	1	BOLT, HEX HEAD 1"-NC X 8" PL GR8
10	00756655	1	PARKING JACK, 5000# CAPACITY
11	00749892	1	PIN, JACK RETAINING
12	00751685	1	PIN, CLIP HAIR

## TONGUE ASY & PARKING JACK - (SWIVEL OPTION)



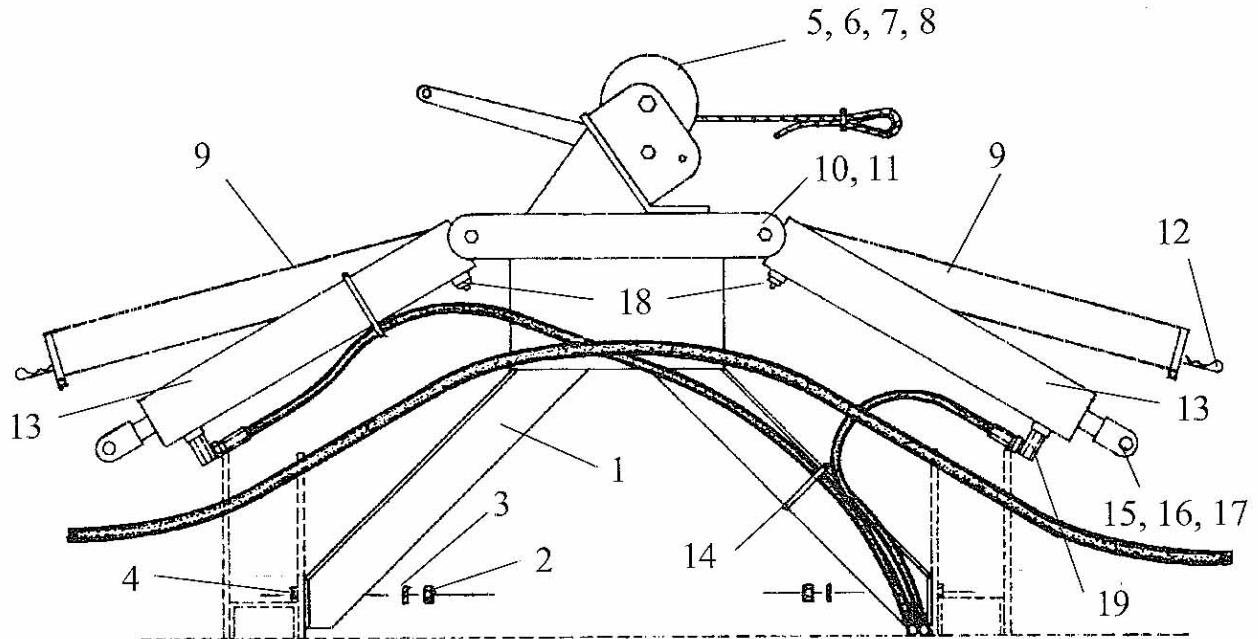
ITEM	PART NO.	QTY.	DESCRIPTION
	00763574	-	TONGUE ASY, W/ SWIVEL CLEVIS ASY (ITEMS 1 THRU 12)
1	00755305	1	BOLT, HEX HEAD 1"-8UNC X 6" LG GR8
2	00748807	1	CLEVIS WELDMENT
3	02712500	1	BOLT, HEX HEAD 1"-NC X 4" PL GR8 SPECIAL
4	00748547	3	FLATWASHER, 1-1/32" ID X 2-3/16" OD X .22" THK
5	02030300	2	LOCKNUT, TOPLOCK 1"-NC PLB
6	00757478	2	SPRING WASHER
7	00759941	2	WASHER, STRUCTURAL 1-1/2"
8	5D2460	1	HEX NUT, SLOTTED 1-1/2"-6NC PLB
9	165024	1	COTTER PIN, 5/16" X 3" PLTD
10	00759878	1	TONGUE CLEVIS WELDMENT
11	00003500	1	GREASE FITTING, 1/8" STRAIGHT
12	00763251	1	TONGUE WELDMENT
13	00756655	1	PARKING JACK 5000# CAPACITY
14	00749892	1	PIN-JACK RETAINING
15	00751685	1	PIN-CLIP HAIR

## WHEEL HUB ASY - CENTER & WING AXLE



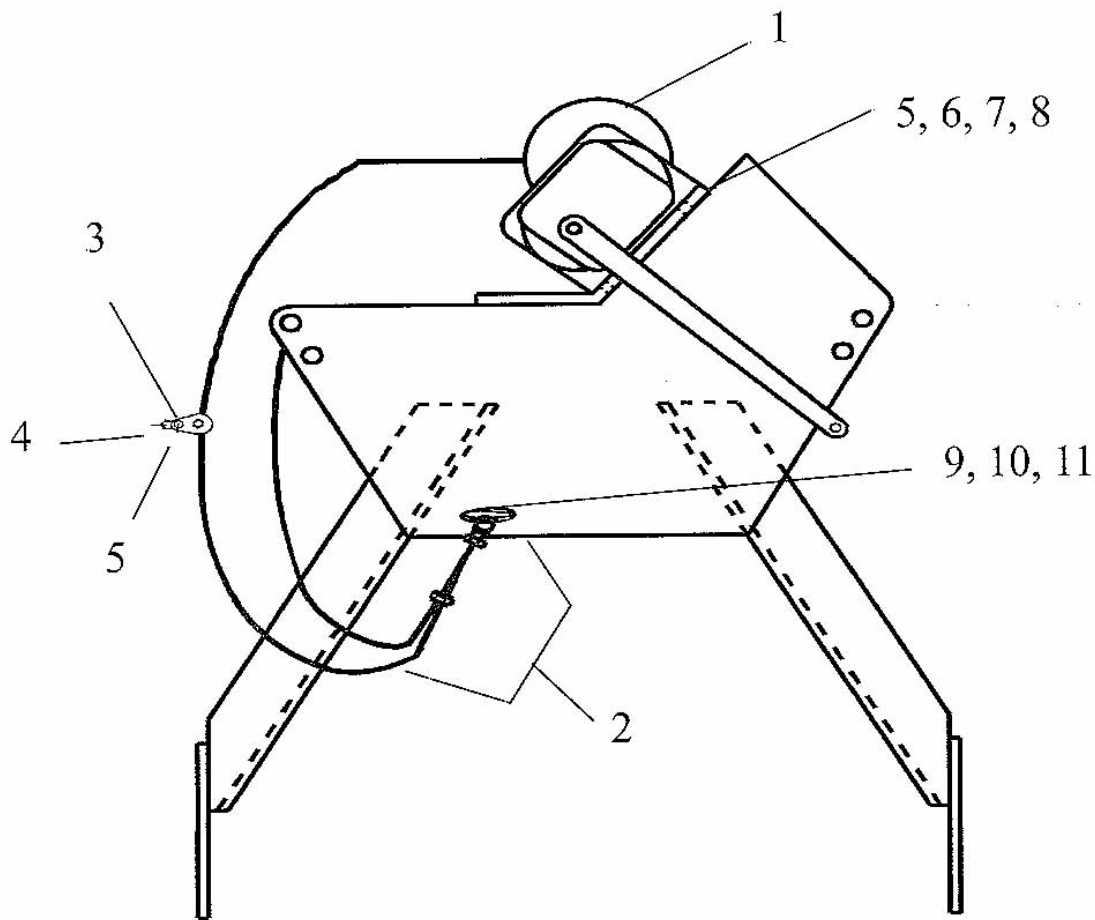
ITEM	PART NO.	QTY.	DESCRIPTION
1	00756576	1	BEARING CUP, OUTSIDE
2	00750434	1	BEARING CONE, INSIDE
3	00756577	1	BEARING CUP, INSIDE
4	00752177	5	BOLT, STUD 1/2-20"-NF X 1-7/8"
	13198	5	BOLT, HUB
5	00750614	5	NUT, 1/2-20NF 90DEG.CONE LUG PL
6	00756490	1	NUT SLOTTED, THIN 1 NF PLC
7	00756491	1	SEAL , F/ WHEEL HUB
8	00756493	1	WASHER
9	00756492	1	DUST CAP
11	00003500	1	ZERK FITTING 1/8 STRAIGHT
12	00756000	1	WHEEL HUB ASY, (USE 00756489)
13	0371242102	1	BEARING CONE, OUTSIDE
14	00756001	-	SPINDLE
	00756489	-	HUB W/ CUPS & STUBS
	00756528	-	WHEEL HUB ACCESS. KIT
15	00756002	-	SPINDLE DUAL WHEEL

## WINCH & CYL. SUPPORT STAND



ITEM	PART NO.	QTY.	DESCRIPTION
1	00755028	1	WINCH STAND WLDMT
2	00000200	4	NUT, HEX 3/4"-NC PL
3	00003901	4	LOCKWASHER, 3/4" PL HEAVY
4	02931300	4	BOLT, HEX HEAD ,3/4"-NC X 2 ZP GRD5
5	00754019	1	WINCH KIT
6	00015800	-	NUT, TOPLOCK, 3/8NC
7	00011100	-	FLATWASHER, 3/8" PL STD
8	00011400	-	BOLT, HEX HEAD 3/8"-NC X 1" PL GR5
9	00755031	2	LOCK-UP ARM WELDMENT
10	02858200	2	BOLT, HEX HEAD 5/8"-NC X 5-1/2" PL 5
11	00695100	2	NUT, TOPLOCK 5/8 NC PLB
12	00008900	2	PIN, LINCH PIN
13	00750398B	1	CYL. ASY, 2-1/2" BORE 16" STROKE
14	02753400	2	PLASTIC, TIE-ON 15" LG
15	00695100	2	NUT, TOPLOCK 5/8" NC PLB
16	00755082	2	BOLT, HEX HEAD 5/8"-NC X 2-1/2" PL GR8
17	00001400	2	FLATWASHER, 5/8" PL STD
18	00774538	2	BREATHER PLUG , 6MB
19	00035400	2	ADAPTER, HYD ELBOW

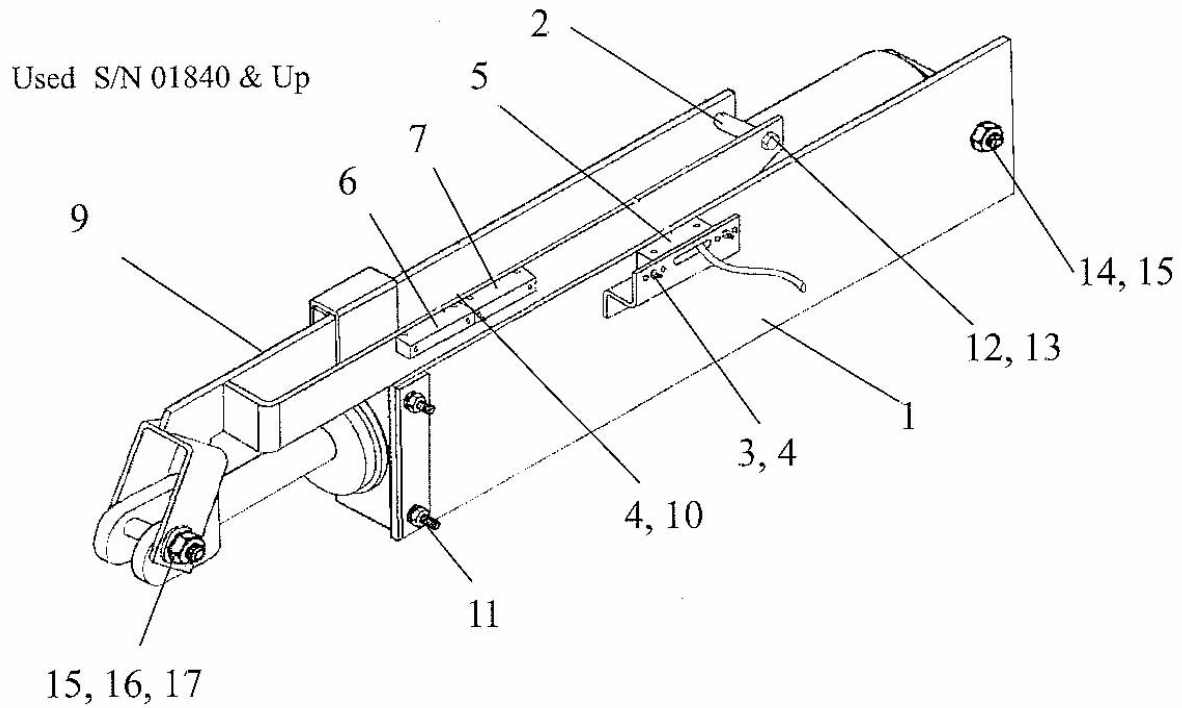
## WINCH ASY (WINCH REPLACEMENT PARTS)



ITEM	PART NO.	QTY.	DESCRIPTION
1	00750936	1	WINCH
2	00000801	1	WINCH CABLE ASY
	00000800	1	CABLE
	02024600	1	CABLE THIMBLE, 1/4"
	00001000	2	CABLE CLAMP
3	00753655	1	CABLE PULLEY & BLOCK
4	00753656	1	CHAIN, 3/8"- 2 LINKS WELD PLATED
5	00015800	3	LOCKNUT, TOPLOCK 3/8"-NC PLB
6	00753657	1	CABLE ATTACHMENT WELDMENT
7	00011400	2	BOLT, HEX HEAD 3/8"-NC X 1" PL GR5
8	00011400	2	BOLT, HEX HEAD 3/8" X NC 1 PL5
9	00751136	1	CHAIN, 5/16 SINGLE OPEN END
10	00013300	1	BOLT, HEX HEAD 1/2-NC 2 PL5
11	00001800	2	LOCKNUT, TOPLOCK 1/2NC PLB

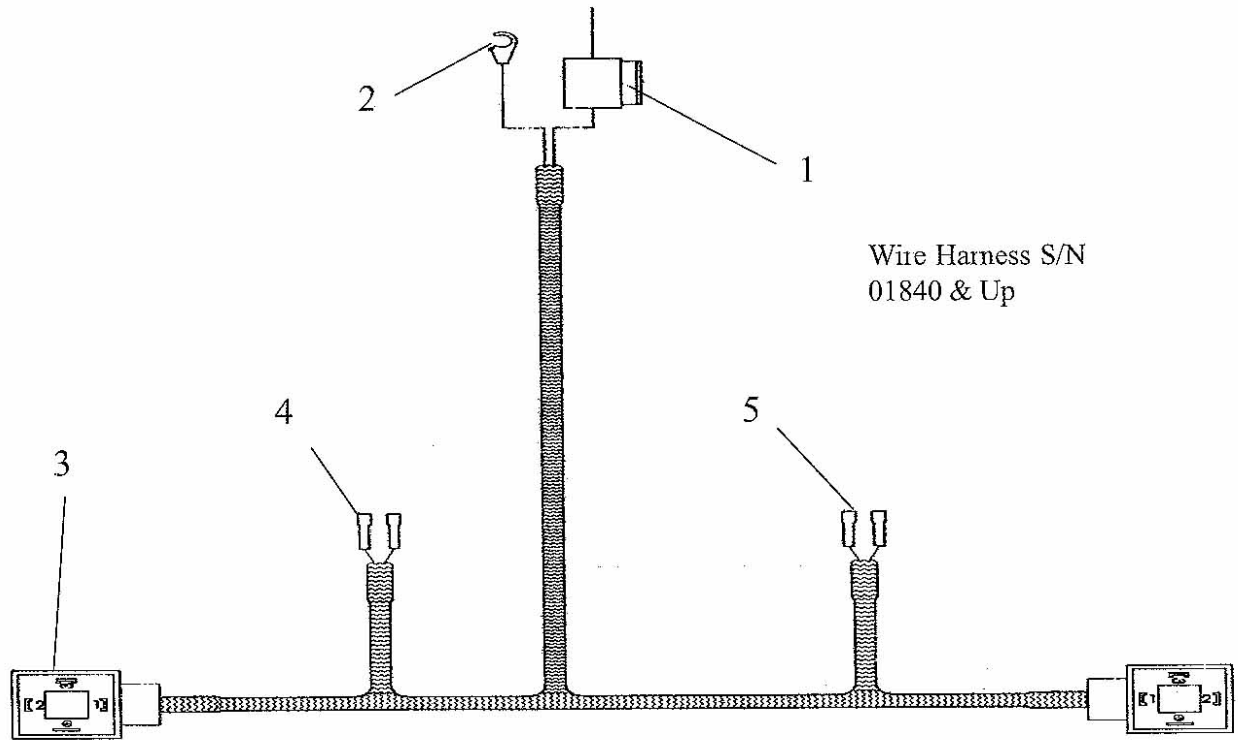


## WING MOTOR MAGNETIC CUT OFF SWITCH ASY - S/N 01840 & UP



ITEM	PART NO.	QTY.	DESCRIPTION
1	00774042	1	SWITCH MOUNTING WELDMENT, RH
	00774041	1	SWITCH MOUNTING WELDMENT, LH
2	00770264	1	SPACER
3	02967257	2	SCREW, SLOTTED ROUND HEAD # 8-32 X 1" LG PL
4	02963584	6	LOCKNUT, #8-32 PL
5	703520	1	SAFETY SWITCH ASY
6	002019	2	SWITCH ACTUATOR MAGNET
7	002020	4	SPACER, PLASTIC
9	00769479	1	SWITCH CUT-OFF WELDMENT, LH
	00769480	1	SWITCH CUT-OFF WELDMENT, RH
10	02963585	4	SCREW, SLOTTED ROUND HEAD #8-32 X 1-1/4"
11	00752723	2	CLAMP
12	00010600	1	BOLT, HEX HEAD 3/8"-NC X 2" PL GR5
13	00015800	1	LOCKNUT, TOPLOCK 3/8"-NC PLB
14	02858200	1	BOLT, HEX HEAD 5/8"-NC X 5-1/2" PL GR5
15	00695100	1	LOCKNUT, TOPLOCK 5/8"-NC PLB
16	00750311	1	BOLT, HEX HEAD 5/8"-NC X 3-1/2" ZP GR5
17	00001400	1	FLATWASHER, 5/8" PL STD

**WIRING HARNESS - P/N 02979083 - S/N 01840 & UP**



ITEM	PART NO.	QTY.	DESCRIPTION
	02979083	1	WIRING HARNESS, HY15 W/CUT-OFF
1	-----	1	10 AMP FUSE
2	001028	1	RING TERM,INS,16-14,3/8 STUD
3	002504	4	CONNECTOR,COIL-HRSCHMANN TYPE
4	001170	2	TERMINAL,SLIP-ON FEMALE,1/4
5	001896	2	TERMINAL,SLIP-ON,INNER 1/4





## TO THE OWNER/OPERATOR/DEALER

To keep your implement running efficiently and safely, read your manuals thoroughly and follow these directions and the Safety Messages in this Manual. The Table of Contents clearly identifies each section where you can easily find the information you need.

The OCCUPATIONAL SAFETY AND HEALTH ACT (1928.51 Subpart C) makes these minimum safety requirements of tractor operators:

### REQUIRED OF THE OWNER

1. Provide a Roll-Over-Protective Structure that meets the requirements of this standard.
2. Provide seat belts that meet the requirements of this paragraph of this standard and SAE J4C.
3. Ensure that each employee uses such seat belt while the tractor is moving.
4. Ensure that each employee tightens the seat belt sufficiently to confine the employee to the protected area provided by the ROPS.

### REQUIRED OF THE OPERATOR

1. Securely fasten seat belt if the tractor has a ROPS.
2. Where possible, avoid operating the tractor near ditches, embankments, and holes.
3. Reduce speed when turning, crossing slopes, and on rough, slick, or muddy surfaces.
4. Stay off slopes too steep for safe operation.
5. Watch where you are going, especially at row ends, on roads, and around trees.
6. Do not permit others to ride.
7. Operate the tractor smoothly, no jerky turns, starts, or stops.
8. Hitch only to the draw bar and hitch points recommended by the tractor manufacturer.
9. When the tractor is stopped, set brakes securely and use park lock, if available.



**Keep children away from danger all day, every day...**



**Equip tractors with rollover protection (ROPS) and keep all machinery guards in place...**



**Please work, drive, play and live each day with care and concern for your safety and that of your family and fellow citizens.**

# ALAMO INDUSTRIAL

## Limited Warranty

### 1. Limited Warranties

- 1.01. Alamo industrial warrants for one year from the purchase date to the original non-commercial, governmental, or municipal purchaser ("purchaser") and warrants for six months to the original commercial or industrial purchaser ("purchaser") that the goods purchased are free from defects in material or workmanship.
- 1.02. Manufacturer will replace for the purchaser any part or parts found, upon examination at one of its factories, to be defective under normal use and service due to defects in material or workmanship.
- 1.03. This limited warranty does not apply to any part of the goods which has been subjected to improper or abnormal use, negligence, alteration, modification, or accident, damaged due to lack of maintenance or use of wrong fuel, oil, or lubricants, or which has served its normal life. This limited warranty does not apply to any part of any internal combustion engine, or expendable items such as blades, shields, guards, or pneumatic tires except as specifically found in your operator's manual.
- 1.04. Except as provided herein, no employee, agent, dealer, or other person is authorized to give any warranties of any nature on behalf of manufacturer.

### 2. Remedies And Procedures

- 2.01. This limited warranty is not effective unless the purchaser returns the registration and warranty form to manufacturer within 30 days of purchase.
- 2.02. Purchaser claims must be made in writing to the authorized dealer ("dealer") from whom purchaser purchased the goods or an approved authorized dealer ("dealer") within 30 days after purchaser learns of the facts on which the claim is based.
- 2.03. Purchaser is responsible for returning the goods in question to the dealer.
- 2.04. If after examining the goods and/or parts in question, manufacturer finds them to be defective under normal use and service due to defects in material or workmanship, manufacturer will:
  - (A) repair or replace the defective goods or part(s) or
  - (B) reimburse purchaser for the cost of the part(s) and reasonable labor charges (as determined by manufacturer) if purchaser paid for the repair and/or replacement prior to the final determination of applicability of the warranty by manufacturer. The choice of remedy shall belong to manufacturer.
- 2.05. Purchaser is responsible for any labor charges exceeding a reasonable amount as determined by manufacturer and for returning the goods to the dealer, whether or not the claim is approved. Purchaser is responsible for the transportation cost for the goods or part(s) from the dealer to the designated factory.

### 3. Limitation Of Liability

- 3.01. Manufacturer disclaims any express (except as set forth herein) and implied warranties with respect to the goods including, but not limited to, merchantability and fitness for a particular purpose.
- 3.02. Manufacturer makes no warranty as to the design, capability, capacity, or suitability for use of the goods.
- 3.03. Except as provided herein, manufacturer shall have no liability or responsibility to purchaser or any other person or entity with respect to any liability, loss, or damage caused or alleged to be caused directly or indirectly by the goods including, but not limited to, any indirect, special, consequential, or incidental damages resulting from the use or operation of the goods or any breach of this warranty. Notwithstanding the above limitations and warranties, manufacturer's liability hereunder for damages incurred by purchaser or others shall not exceed the price of the goods.
- 3.04. No action arising out of any claimed breach of this warranty or transactions under this warranty may be brought more than two (2) years after the cause of action has occurred.

### 4. Miscellaneous

- 4.01. Proper venue for any lawsuits arising from or related to this limited warranty shall be only in Guadalupe county, Texas.
- 4.02. Manufacturer may waive compliance with any of the terms of this limited warranty, but no waiver of any terms shall be deemed to be a waiver of any other term.
- 4.03. If any provision of this limited warranty shall violate any applicable law and is held to be unenforceable, then the invalidity of such provision shall not invalidate any other provisions herein.
- 4.04. Applicable law may provide rights and benefits to purchaser in addition to those provided herein.

*Keep for your records*

Attention: Purchaser should fill in the blanks below for his reference when buying repair parts and/or for proper machine identification when applying for warranty.

Alamo Industrial Implement Model \_\_\_\_\_ Serial Number \_\_\_\_\_  
Date Purchased \_\_\_\_\_ Dealer \_\_\_\_\_

Attention:  
Read your operator's manual



**ALAMO INDUSTRIAL**  
1502 E. Walnut  
Seguin, Texas 78155  
830-379-1480



## Free Manuals Download Website

<http://myh66.com>

<http://usermanuals.us>

<http://www.somanuals.com>

<http://www.4manuals.cc>

<http://www.manual-lib.com>

<http://www.404manual.com>

<http://www.luxmanual.com>

<http://aubethermostatmanual.com>

Golf course search by state

<http://golfingnear.com>

Email search by domain

<http://emailbydomain.com>

Auto manuals search

<http://auto.somanuals.com>

TV manuals search

<http://tv.somanuals.com>