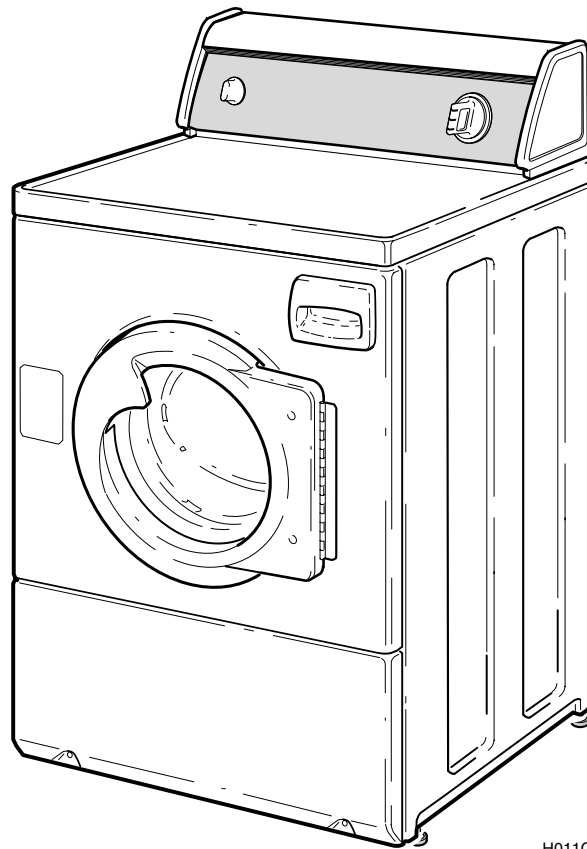


Tumble Action Washers

Installation

NOTA: El manual en español aparece después del manual en inglés.



H011C

Keep These Instructions for Future Reference.

(If this machine changes ownership, this manual must accompany machine.)


Alliance
Laundry Systems

Part No. 685980R3
March 2000

Table of Contents

Replacement Parts	2
Roughing In Dimensions	3
Before You Start	5
Tools	5
Electrical	5
Water.....	5
Accessories Bag.....	5
Installing the Washer	7
Step 1: Position Washer Near Installation Area	7
Step 2: Connect Water Inlet Hoses	7
Step 3: Connect Drain Hose to Drain Receptacle.....	8
Standpipe Installation.....	8
Sink Installation	9
In-the-Wall Installation	9
Laundry Tub Installation.....	9
Step 4: Position and Level the Washer	10
Step 5: Remove the Shock Sleeves and Shipping Brace	11
Step 6: Wipe Out Inside of Wash Drum.....	11
Step 7: Plug In the Washer	11
Step 8: Check Installation.....	11
Moving Washer to a New Location	13
Electrical Requirements	15
Water Supply Requirements	17
Water Temperature	17
Water Pressure	17
Risers	17
Installer Check	Back Cover

© Copyright 2000, Alliance Laundry Systems LLC

All rights reserved. No part of the contents of this book may be reproduced or transmitted in any form or by any means without the expressed written consent of the publisher.

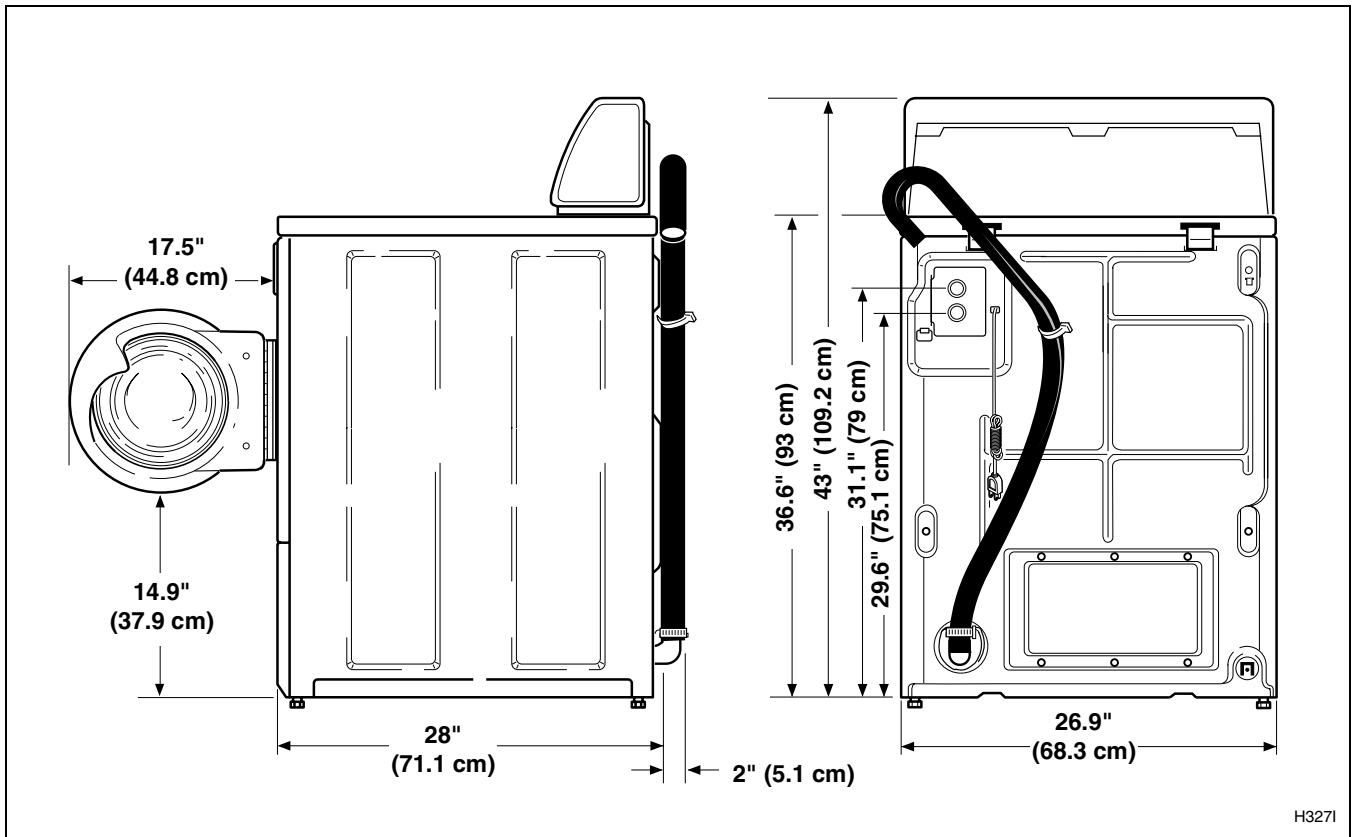
Replacement Parts

If replacement parts are required, contact the source from where you purchased your washer, or contact:

Alliance Laundry Systems
Shepard Street
P.O. Box 990
Ripon, WI 54971-0990
Phone (920) 748-3950

for the name and address of the nearest authorized parts distributor.

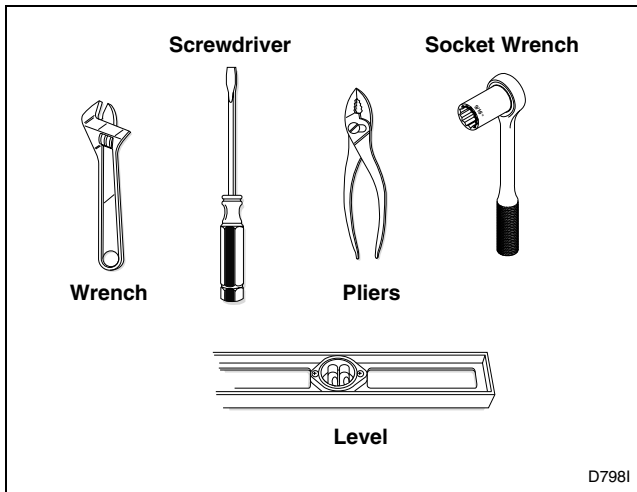
Roughing In Dimensions



Before You Start

Tools

For most installations, the basic tools you will need are:



Electrical

Refer to Serial Plate for specific electrical requirements. For more detailed information refer to section on *Electrical Requirements*.

Water

Washer needs two standard 3/4 inch (19.1 mm) water supply faucets with a pressure between 20 and 120 pounds per square inch (138 to 827 kPa). For more detailed information refer to section on *Water Supply Requirements*.

Accessories Bag

An accessories bag has been shipped inside your washer. It includes:

- Two inlet hoses with washers. Refer to Step 2 of *Installing the Washer*.
- Four rubber feet. Refer to Step 4 of *Installing the Washer*.
- Beaded tie-down strap. Refer to Step 3 of *Installing the Washer*.
- Installation instructions.
- Use and Care Guide.
- Operating insert.
- Warranty bond.
- Helpful Hints insert.
- Bag for storing shipping materials.

Installing the Washer

Step 1: Position Washer Near Installation Area

IMPORTANT: Install dryer before washer. This allows room for attaching exhaust duct.

Move washer as close to the desired area of installation as possible.



D7721

Step 2: Connect Water Inlet Hoses

NOTE: Refer to section on *Water Supply Requirements* before connecting water inlet hoses.

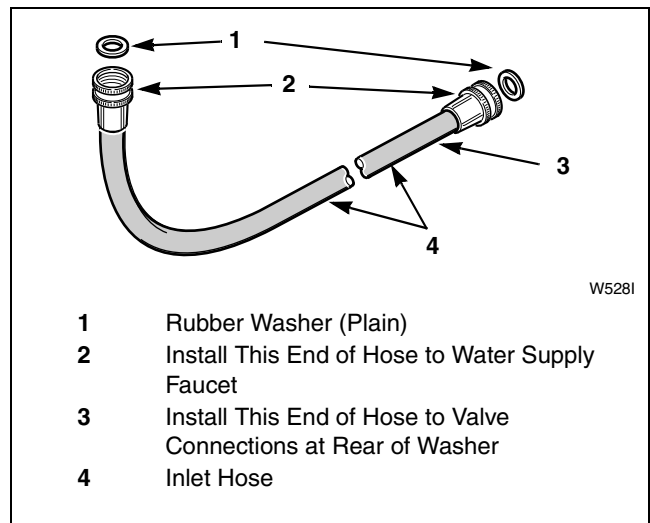
Remove the four plain rubber washers from accessories bag, and install them according to the illustration.

Turn on the water supply faucets and flush the lines for approximately two minutes to remove any foreign materials that could clog the screens in the water mixing valve.

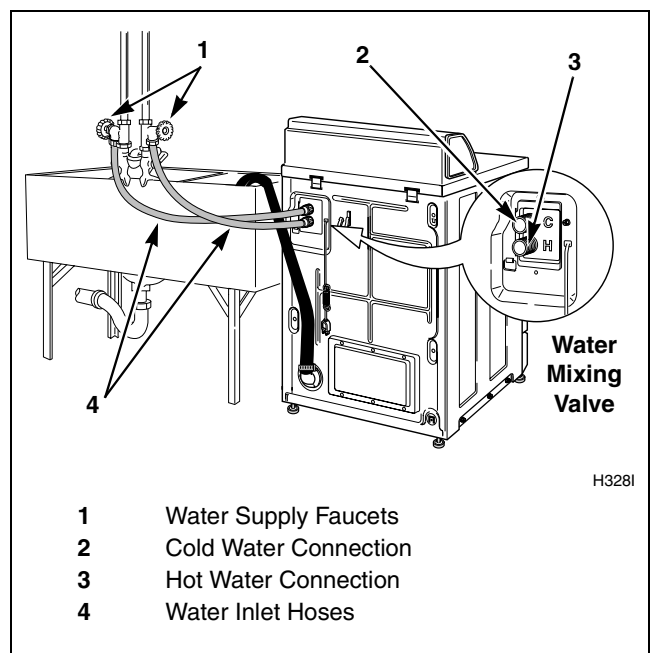
NOTE: When installing in newly constructed or renovated building, it is very important to flush the lines since build-up may have occurred during construction.

IMPORTANT: Thread hose couplings onto valve connections finger-tight, then approximately 1/4 turn with pliers. **DO NOT** cross thread or overtighten couplings.

Turn water on and check for leaks. If leaks are found, retighten the hose couplings. Continue tightening and rechecking until no leaks are found.



- 1 Rubber Washer (Plain)
- 2 Install This End of Hose to Water Supply Faucet
- 3 Install This End of Hose to Valve Connections at Rear of Washer
- 4 Inlet Hose



- 1 Water Supply Faucets
- 2 Cold Water Connection
- 3 Hot Water Connection
- 4 Water Inlet Hoses

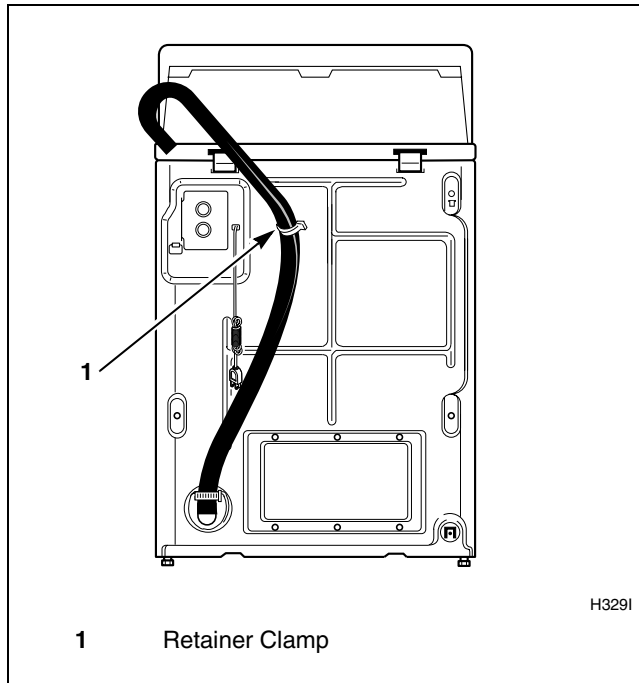
Installing the Washer

Step 3: Connect Drain Hose to Drain Receptacle

Remove the drain hose from its shipping position on the rear of the washer by unhooking the hose from the retainer clamp.

Find the instructions, on the following pages, that are appropriate for your type of drain receptacle (standpipe, sink, wall, or laundry tub). Follow these instructions to properly install the drain hose.

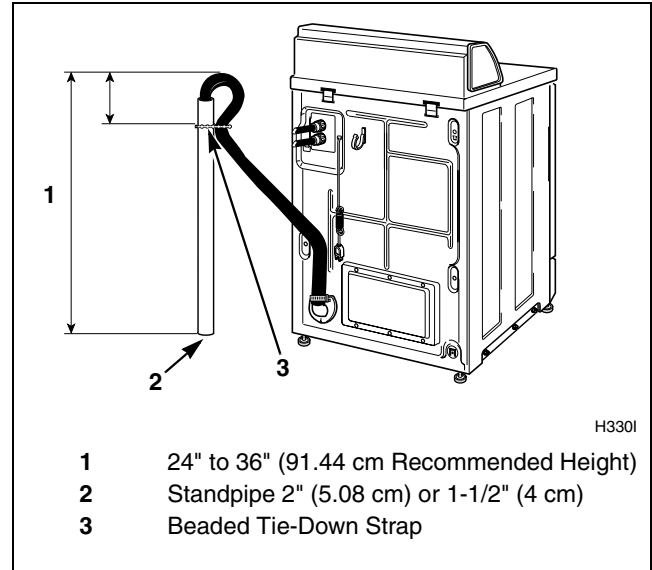
IMPORTANT: Drain receptacle must be capable of handling a minimum of 1-1/4 inch (32 cm) outside diameter drain hose.



Standpipe Installation

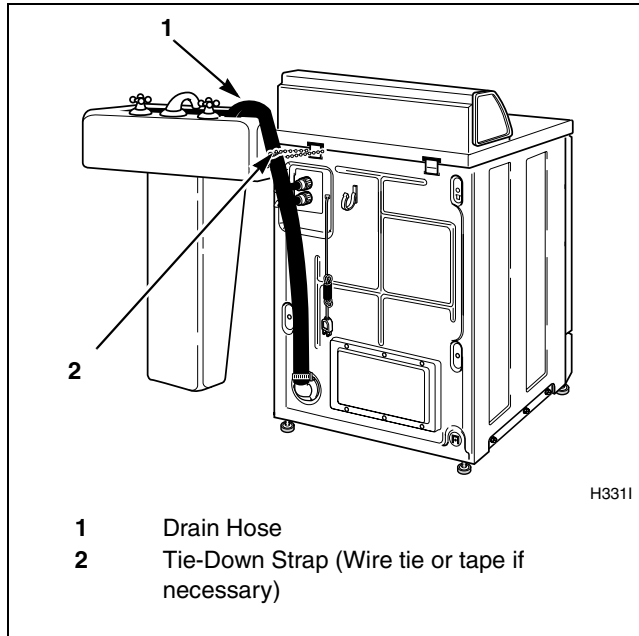
Place the drain hose into the standpipe.

Remove the beaded tie-down strap from accessories bag and place around standpipe and drain hose and tighten strap to hold hose to standpipe. This will prevent the drain hose from dislodging from drain receptacle during use.



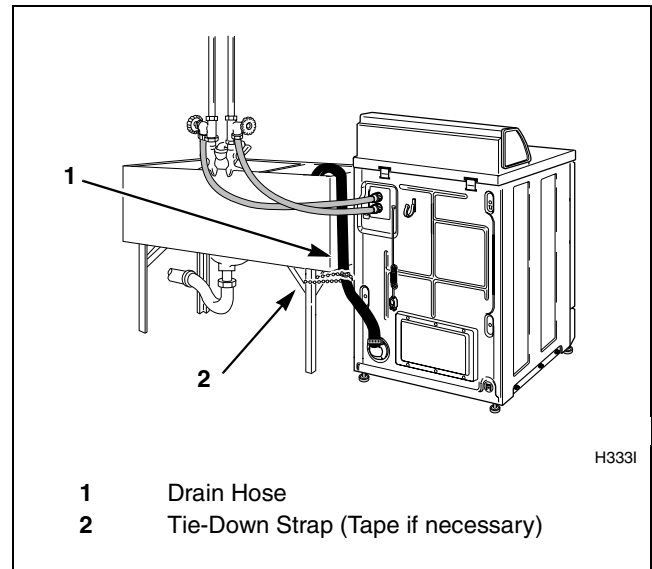
Sink Installation

For this type of installation, use the beaded tie-down strap (supplied in accessories bag), or use a large wire tie (available from your local hardware store) and secure the drain hose to the cabinet top hinge (refer to illustration). This will prevent the drain hose from dislodging during use.



Laundry Tub Installation

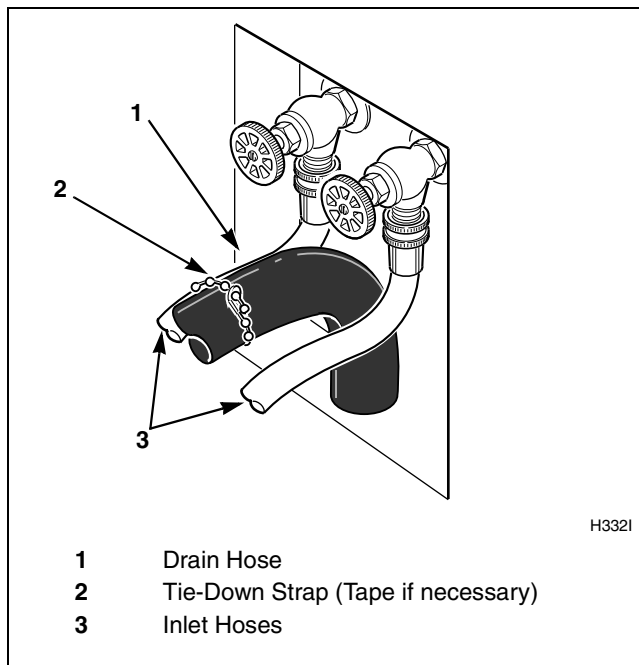
For this type of installation, the drain hose **MUST** be secured to the stationary tub to prevent hose from dislodging during use. Use the beaded tie-down strap (supplied in accessories bag) to secure hose.




In-the-Wall Installation

For installations of this type, the drain hose **MUST** be secured to one of the inlet hoses using the beaded tie-down strap from accessories bag.

NOTE: End of drain hose must not be below 24".



Step 4: Position and Level the Washer

	WARNING
<p>Washers elevated above floor level must be anchored to that elevated surface, base or platform. The material used to elevate the washer should also be anchored to the floor to ensure that the washer will not walk or that the washer can not be physically pulled, tipped or slid from its installed position. Failure to do so may result in conditions which can produce serious injury, death and/or property damage.</p>	
<small>W306</small>	

Place washer in position on a clean, firm and reasonably level floor. Installing the washer on any type of carpeting is not recommended.

Loosen 7/8" locknut and adjust the front and rear leveling legs until the washer is level from side to side and front to back (using a level). Washer should not rock.

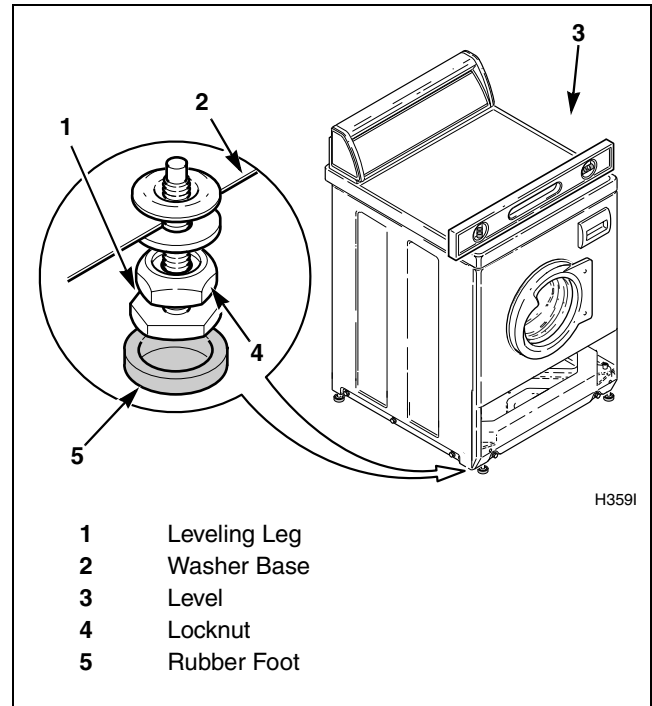
NOTE: Level must rest on raised portion of top panel. See illustration.

Tighten the locknuts securely against the washer base using the 7/8" wrench. If the locknuts are not tight, washer will move out of position during operation.

NOTE: DO NOT slide washer across floor if the leveling legs have been extended, as legs and base could become damaged.

NOTE: Use of the dispenser drawer or washer door as a handle in the transportation of the washer may cause damage to the dispenser or door.

Remove rubber feet from accessories bag and place on all four leveling legs.



Step 5: Remove the Shock Sleeves and Shipping Brace

Remove front access panel by removing the two screws.

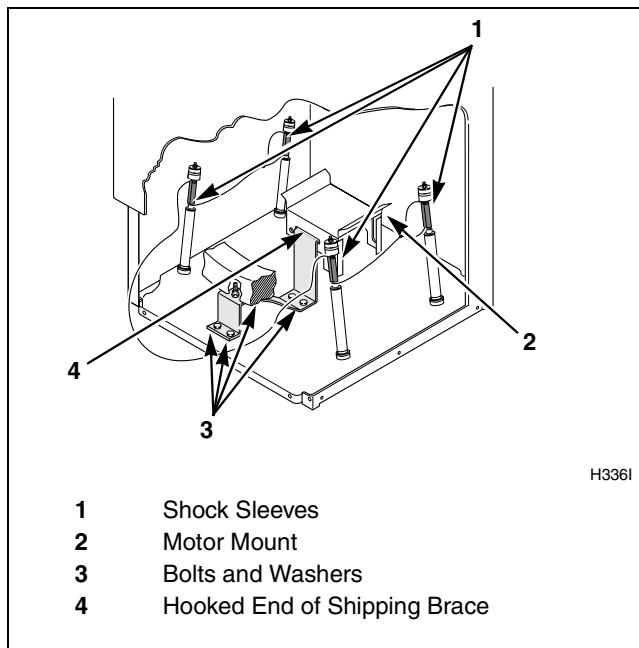
Remove 9/16" bolts and washers from shipping brace with wrench and remove brace. Remove shock sleeves by pulling on the yellow rope.

Remove label from front side of front access panel and place on back side of front access panel.

NOTE: The shipping brace, bolts, washers, and shock sleeves should be saved and MUST be reinstalled whenever the washer is moved more than 4 feet. Do not lift or transport washer from front or without shipping materials installed. Refer to *Moving Washer to a New Location* section for instructions.

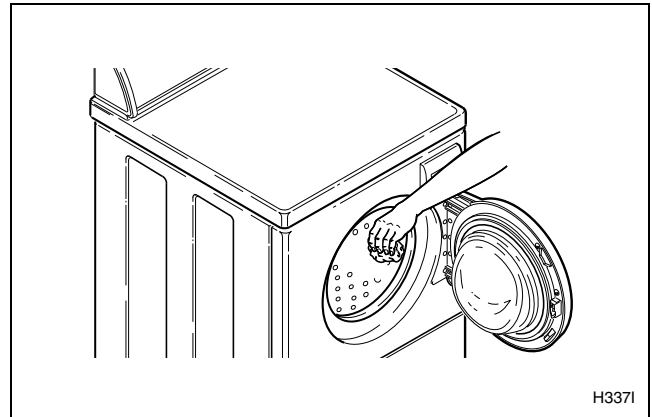
Store the shipping materials in the bag provided in the accessories bag. Save materials for use whenever the washer is moved.

Reinstall front access panel.



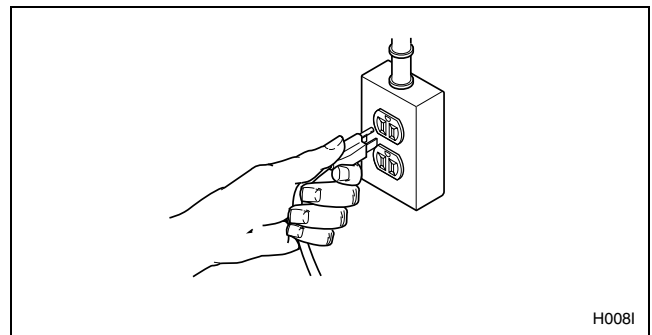
Step 6: Wipe Out Inside of Wash Drum

Before using washer for the first time, use an all-purpose cleaner, or a detergent and water solution, and a damp cloth to remove shipping dust from inside washer drum.



Step 7: Plug In the Washer

Refer to section on *Electrical Requirements* and plug the washer in.



Step 8: Check Installation

Refer to *Installer Check* on the back cover of this manual and make sure that washer is installed correctly.

Moving Washer to a New Location

To prevent damage while moving the washer, the shipping materials **MUST** be reinstalled.

Reinstallation of Shipping Materials

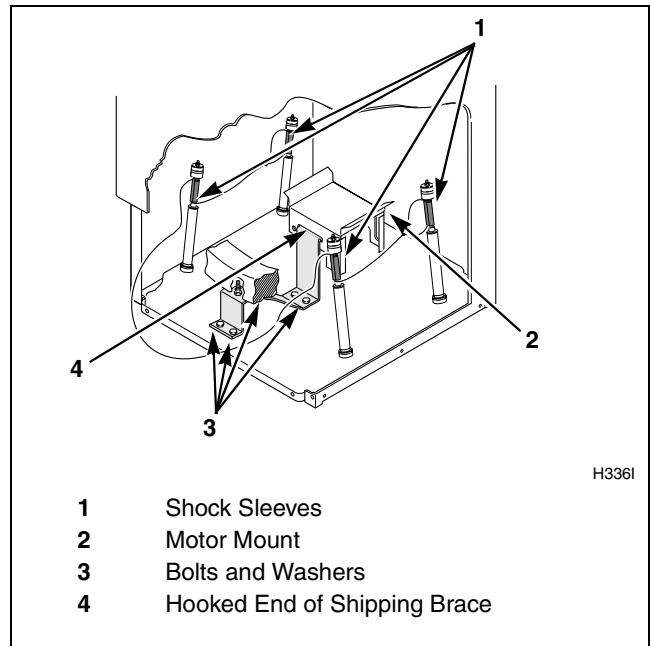
Disconnect washer from electrical supply.

Remove front access panel by removing two screws.

Place the shock sleeves on all four shock absorbers.
Refer to illustration.

Insert hooked end of shipping brace into the open slot of the motor mount. Attach with bolts and washers.
Refer to illustration.

Reinstall front access panel.




Refer to ***Installing the Washer*** section for proper procedures whenever the washer is moved and is ready for reinstallation.

Electrical Requirements

(120 Volt, 60 Hertz with 3-Prong Grounding Plug)


NOTE: The wiring diagram is located in the control hood.



WARNING

To reduce the risk of fire, electric shock or personal injury, all wiring and grounding **MUST** conform with the latest edition of the National Electrical Code, ANSI/NFPA 70, and such local regulations as might apply. It is the customer's responsibility to have the wiring and fuses checked by a qualified electrician to make sure your home has adequate electrical power to operate the washer.

W028



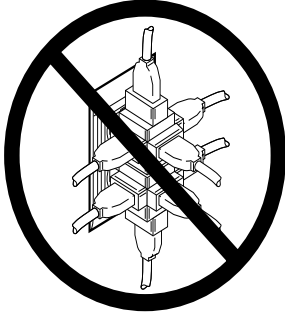
WARNING

Improper connection of the equipment-earthing conductor can result in a risk of electric shock. Check with a qualified electrician or serviceman if you are in doubt as to whether the washer is properly grounded.

W032

Do not modify the plug provided with the washer — if it will not fit the outlet, have a proper outlet installed by a qualified electrician.

NOTE: Have a qualified electrician check the polarity of the wall receptacle. If a voltage reading is measured other than that illustrated, the qualified electrician should correct the problem.



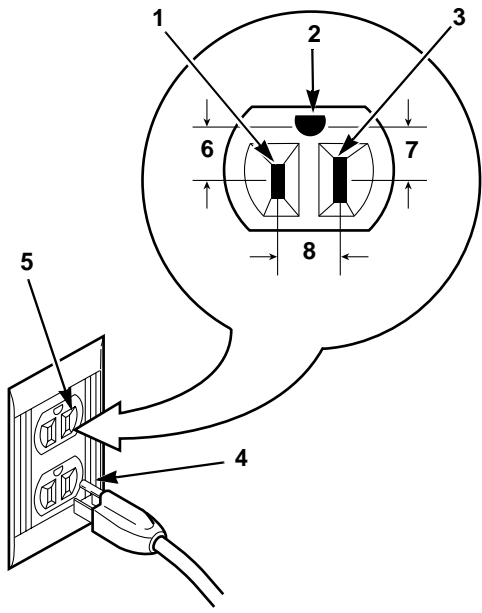
Do Not Overload Circuits
Do Not Use Adapter
Do Not Use an Extension Cord

D0091

Grounding Instructions

The washer must be grounded. In the event of malfunction or breakdown, grounding will reduce the risk of electric shock by providing a path of least resistance for electric current. The washer is equipped with a cord having an equipment-grounding conductor and a 3-prong grounding plug. The plug must be plugged into an appropriate outlet that is properly installed and grounded in accordance with all local codes and ordinances.

Standard 120 Volt, 60 Hertz,
3-Wire Effectively Grounded Circuit



1	L1
2	Ground
3	Neutral Side
4	Round Grounding Prong
5	Neutral
6	120 ± 12 V.A.C.
7	0 V.A.C.
8	120 ± 12 V.A.C.

D7991

Water Supply Requirements



WARNING

Under certain conditions, hydrogen gas may be produced in a hot water system that has not been used for two weeks or more. **HYDROGEN GAS IS EXPLOSIVE.** If the hot water system has not been used for such a period and before using the washer, turn on all hot water faucets and let the water flow from each for several minutes. This will release any accumulated hydrogen gas. The gas is flammable. Do not smoke or use an open flame during this time.

W029

NOTE: Water supply faucets must fit standard 3/4 inch (19.1 mm) female garden hose couplings. **DO NOT USE SLIP-ON OR CLAMP-ON CONNECTIONS.**

NOTE: Water supply faucets should be readily accessible to permit turning them off when washer is not being used.

Water Temperature

Cold:

Recommended cold water temperature is 60° to 80° Fahrenheit, 16° to 27° Celsius.

Hot:

Recommended hot water temperature is 120° to 140° Fahrenheit, 49° to 60° Celsius.

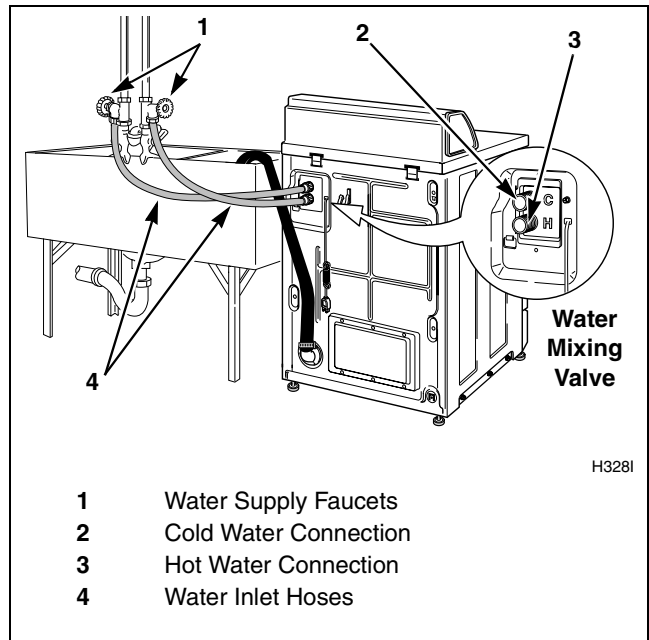
Warm:

Mixture of hot and cold water. (Warm water temperature is dependent upon the water temperature and the pressure of both the hot and cold water supply lines.)

NOTE: Turn off water supply faucets after check-out and demonstration. Owner should turn off water supply whenever there will be an extended period of non-use.

NOTE: Longer inlet hoses are available (as optional equipment at extra cost) if the hoses (supplied with the washer) are not long enough for the installation. Order hoses as follows:

- No. 20617 Inlet Hose (8 foot) (2.44 m)
- No. 20618 Inlet Hose (10 foot) (3.05 m)



- 1 Water Supply Faucets
- 2 Cold Water Connection
- 3 Hot Water Connection
- 4 Water Inlet Hoses

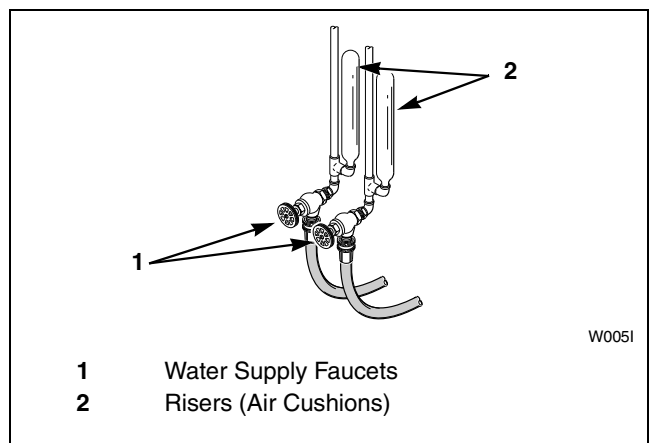
Water Pressure

Pressure must be a minimum of 20 to a maximum of 120 pounds per square inch (138 to 827 kPa) static pressure measured at the faucet.

NOTE: Water pressure under 20 pounds per square inch (138 kPa) will cause an extended fill time in the washer and may not properly flush out the detergent dispenser.

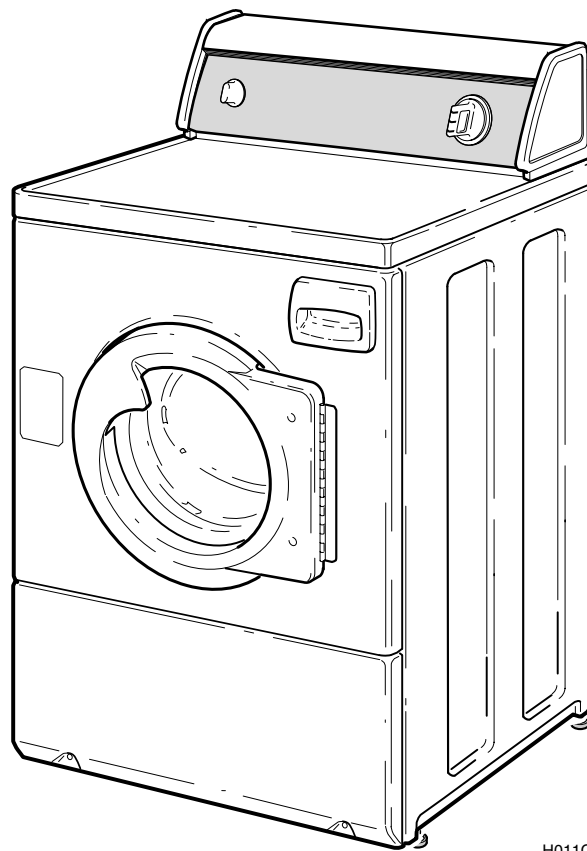
Risers

Risers (or air cushions) may have to be installed if the pipes knock or pound when flow of water stops. The risers are more efficient when installed as close as possible to the water supply faucets (refer to illustration below).



- 1 Water Supply Faucets
- 2 Risers (Air Cushions)

Lavadoras con la modalidad de agitación



H011C

Guarde estas instrucciones para referencia en el futuro.

(Si la lavadora cambia de dueño, asegúrese de que vaya acompañada de estas instrucciones).


Alliance
Laundry Systems

Pieza No. 685980R3
Marzo 2000

Contenido

Piezas de repuesto	22
Dimensiones aproximadas	23
Antes de comenzar	25
Herramientas.....	25
Eléctricos	25
Agua.....	25
Bolsa de accesorios.....	25
Instalación de la lavadora	27
Paso 1: Colocación de la lavadora cerca del área de instalación.....	27
Paso 2: Conexión de las mangueras de suministro de agua.....	27
Paso 3: Conexión de la manguera de desagüe al receptáculo de desagüe.....	28
Instalación del tubo vertical de desagüe	28
Instalación a un lavamanos	28
Instalación en la pared	29
Instalación a una batea	29
Paso 4: Coloque la lavadora en su lugar y nivélela	30
Paso 5: Remoción de los manguitos de amortiguador y el tirante sujetador.....	31
Paso 6: Limpieza del interior de la tina de la lavadora.....	31
Paso 7: Conexión de la lavadora a la fuente de suministro eléctrico.....	31
Paso 8: Revise de la instalación.....	31
Desplazamiento de la unidad a un nuevo sitio	33
Requisitos eléctricos	35
Requisitos de suministro de agua	37
Temperatura del agua	37
Presión del agua.....	37
Tubos ascendentes	38
Revisión del instalador	Contraportada

© Copyright 2000, Alliance Laundry Systems LLC

Reservados todos los derechos. Ninguna sección del presente manual puede ser reproducida o transmitida en forma alguna o a través de ningún medio sin el expreso consentimiento por escrito del editor.

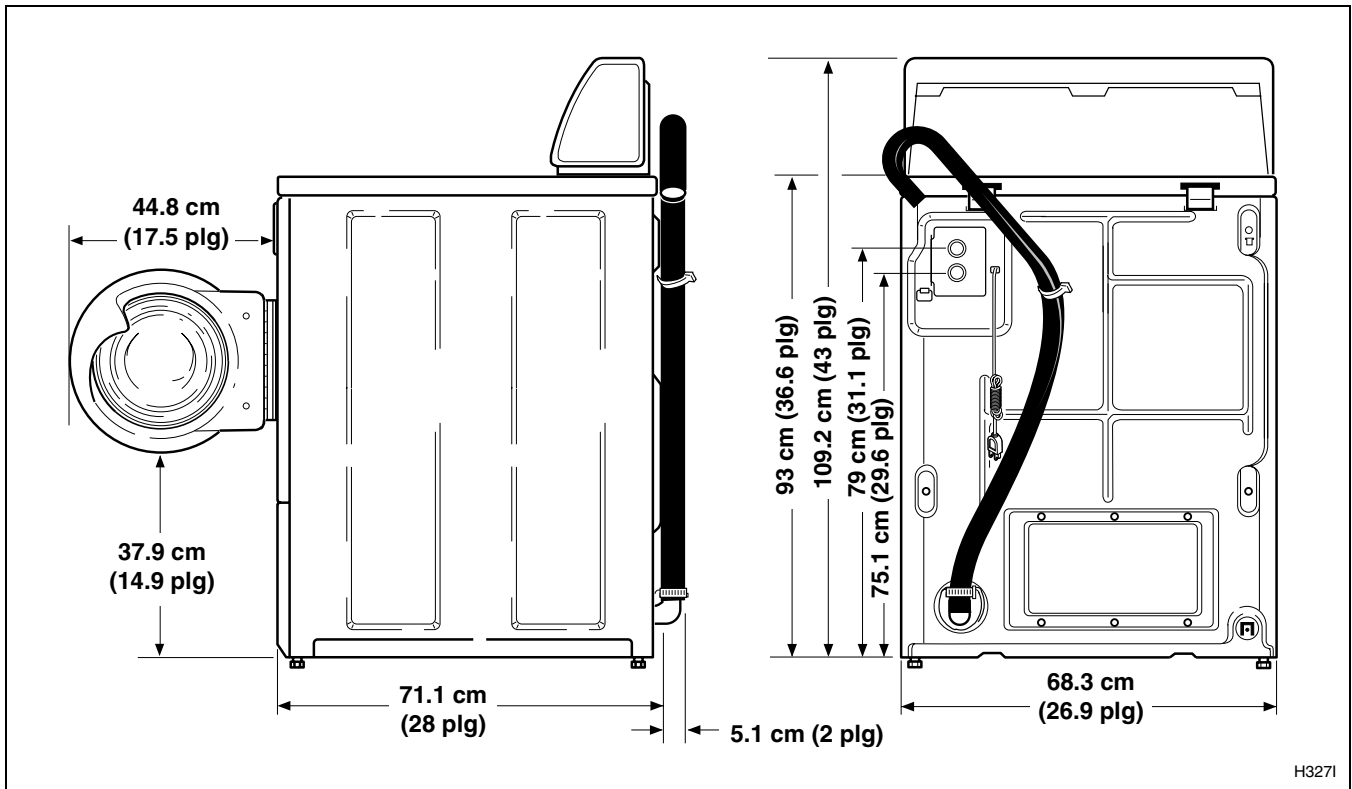
Piezas de repuesto

Si se necesitan piezas de repuesto comuníquese con el vendedor o con

Alliance Laundry Systems
Shepard Street
P.O. Box 990
Ripon, WI 54971-0990
Telefono (920) 748-3950

para obtener el nombre y la dirección del distribuidor autorizado de piezas de repuesto.

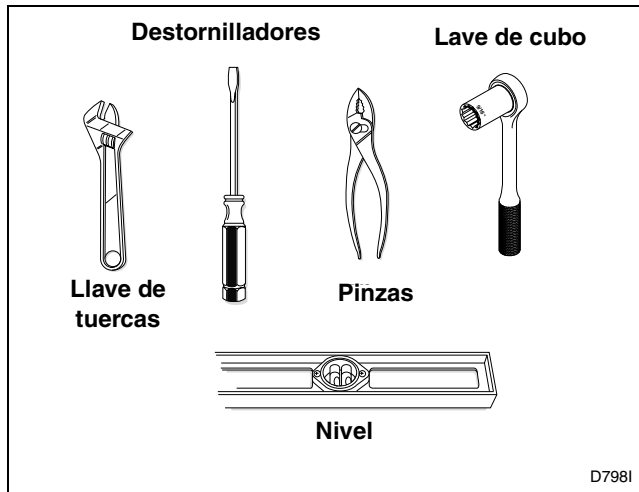
Dimensiones aproximadas



Antes de comenzar

Herramientas

Éstas son las principales herramientas que necesitará en la mayoría de las instalaciones:



Eléctricos

Vease la Placa de número de serie para determinar los requisitos eléctricos específicos. Para obtener más detalles, consulte la sección de **Requisitos eléctricos**.

Agua

La lavadora trabaja con dos grifos estándar de 19,1 mm (3/4 plg) para el suministro de agua con una presión que oscile entre 138 a 827 Kpa (20 y 120 libras por pulgada cuadrada). Para obtener más detalles, consulte la sección de **Requisitos de suministro de agua**.

Bolsa de accesorios

Se ha enviado una bolsa de accesorios dentro de la lavadora que contiene lo siguiente:

- Dos mangueras de suministro con arandelas. (Remítase al paso 2 de la sección **Instalación de la lavadora**).
- Cuatro patas de goma. (Remítase al paso 4 de la sección **Instalación de la lavadora**).
- Abrazadera perlada. (Remítase al paso 3 de la sección **Instalación de la lavadora**).
- Instrucciones de instalación.
- Guía de uso y cuidado.
- Pieza de suplemento de operación.
- Certificado de garantía.
- Pieza de suplemento de consejos útiles.
- Bolsa para guardar los materiales de transporte.

Instalación de la lavadora

Paso 1: Colocación de la lavadora cerca del área de instalación

IMPORTANTE: Instale la secadora antes de instalar la lavadora. Así tendrá espacio para acoplar el ducto de escape.

Coloque la lavadora lo más cerca del área de instalación.



D7721

Paso 2: Conexión de las mangueras de suministro de agua

NOTA: Consulte la sección de *Requisitos de suministro de agua* antes de conectar las mangueras de suministro de agua.

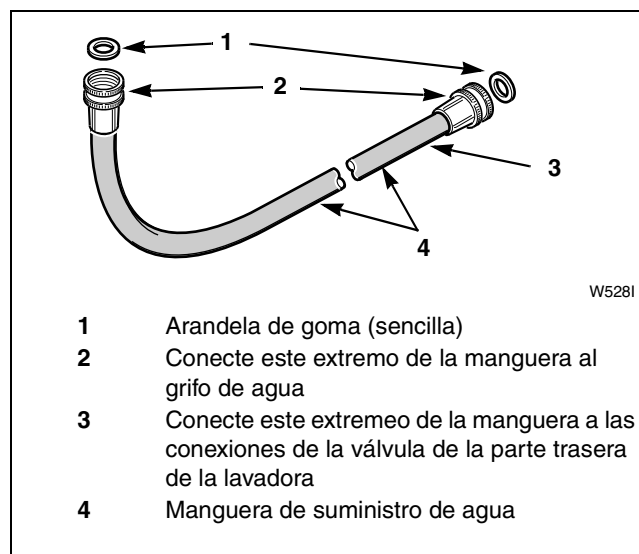
Saque las cuatro arandelas de goma planas de la bolsa de accesorios e instálelas como se indica en la ilustración.

Abra los grifos de suministro de agua y limpie las tuberías dejando que el agua fluya por aproximadamente dos minutos para eliminar cualquier material extraño que pueda obstruir las mallas de la válvula para mezclar el agua.

NOTA: Cuando instale la lavadora en una vivienda recién construida o remodelada es muy importante que limpie las tuberías dejando que el agua fluya, ya que pudo haberse acumulado material en las mismas durante la construcción.

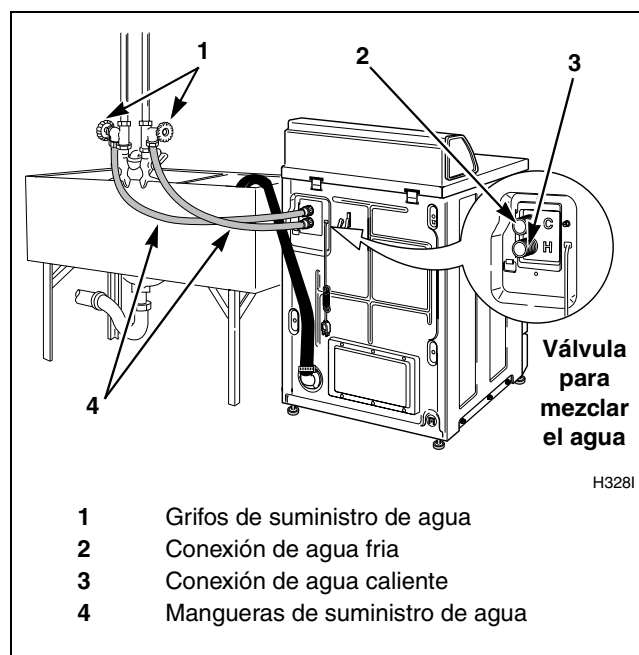
IMPORTANTE: Enrosque a mano las uniones en las conexiones de válvula y seguidamente gire aproximadamente un 1/4 de vuelta con la ayuda de una tenaza. Tenga cuidado de **NO** apretar excesivamente las uniones ni pasarlas de rosca.

Abra el grifo de agua y determine si hay fugas. Si detecta alguna fuga, reajuste las uniones de la manguera. Siga apretando y revise hasta eliminar las fugas.



W5281

- 1 Arandela de goma (sencilla)
- 2 Conecte este extremo de la manguera al grifo de agua
- 3 Conecte este extremo de la manguera a las conexiones de la válvula de la parte trasera de la lavadora
- 4 Manguera de suministro de agua



H3281

- 1 Grifos de suministro de agua
- 2 Conexión de agua fría
- 3 Conexión de agua caliente
- 4 Mangueras de suministro de agua

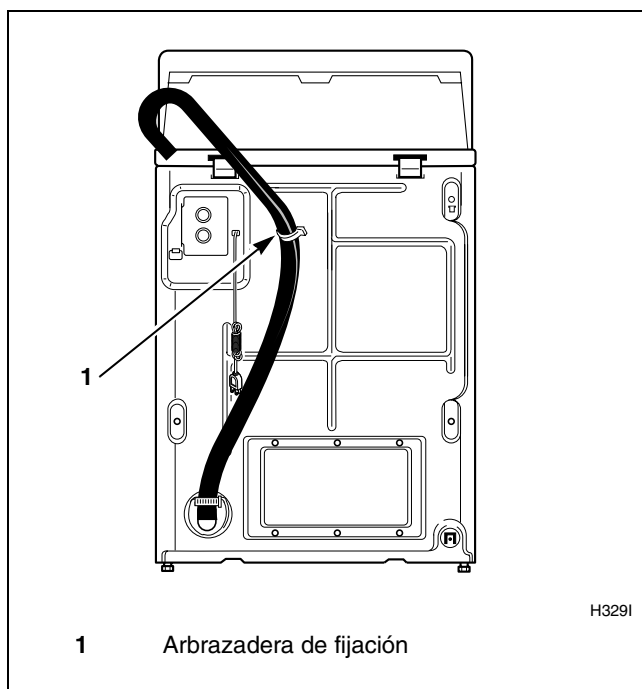
Válvula para mezclar el agua

Paso 3: Conexión de la manguera de desagüe al receptáculo de desagüe

Saque la manguera del lugar de embarque en la parte trasera de la lavadora, desenganchando la manguera de la abrazadera de fijación.

Busque en las páginas siguientes las instrucciones que se adapten a su tipo de receptáculo de desagüe (tubo vertical de desagüe, lavamanos, pared o batea). Siga las instrucciones para una instalación apropiada de la manguera de desagüe.

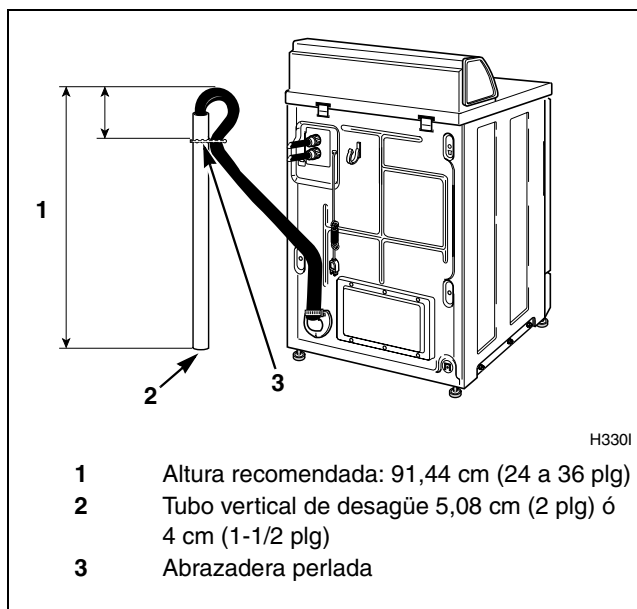
IMPORTANTE: El receptáculo de desagüe debe ser el apropiado para una manguera de desagüe con un diámetro exterior de 32 cm (1-1/4 plg) como mínimo.



Instalación del tubo vertical de desagüe

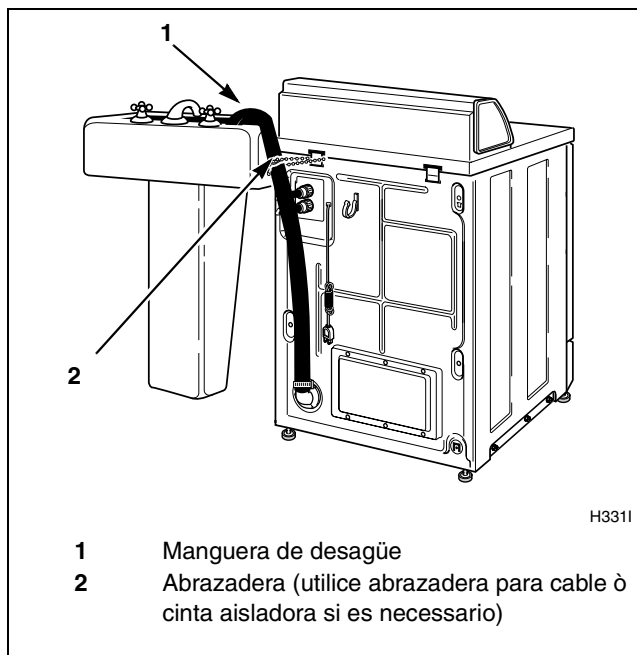
Coloque el adaptador dentro del tubo vertical de desagüe.

Saque la abrazadera perlada de la bolsa de accesorios, colóquela alrededor del tubo vertical de desagüe y la manguera de desagüe, y apriete la correa para sujetar la manguera al tubo vertical de desagüe. Así se evita que se salga la manguera del receptáculo de desagüe cuando se esté utilizando.



Instalación a un lavamanos

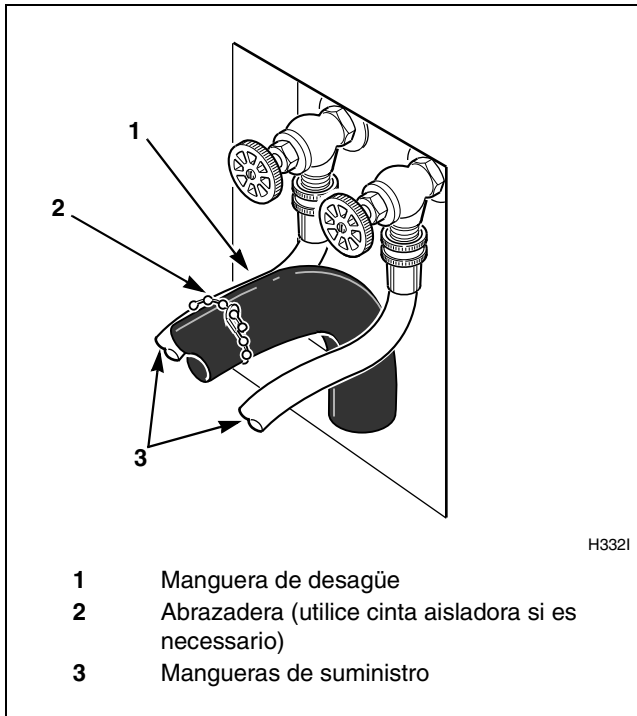
Para este tipo de instalación utilice la abrazadera perlada (que viene en la bolsa de accesorios) o una abrazadera grande para cable (que puede adquirir en una tienda de herramientas local) y fije la manguera de desagüe a la bisagra de la parte superior del gabinete (véase la ilustración). Así se evita que la manguera de desagüe se salga cuando se esté utilizando.



Instalación en la pared

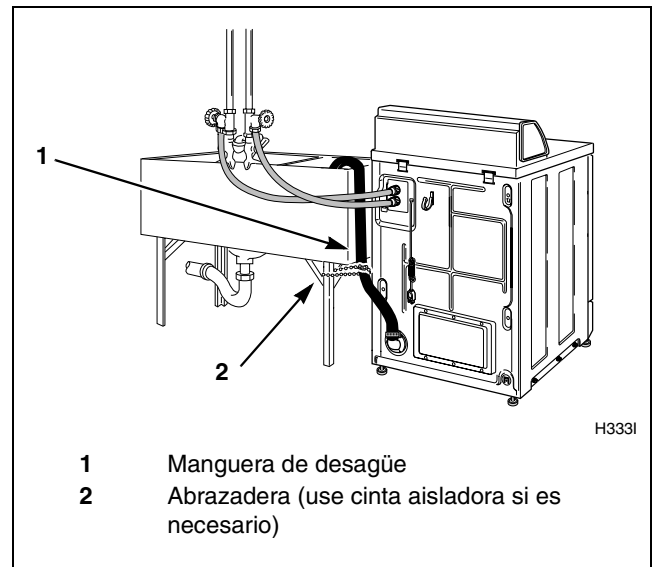
En este tipo de instalación, la manguera de desagüe DEBERÁ asegurarse a una de las mangueras de suministro de agua utilizando la abrazadera perlada que viene en la bolsa de accesorios.

NOTA: El extremo de la manguera de desagüe no debe quedar a una altura menor que 61 cm (24 plg).




Instalación a una batea

En este tipo de instalación, la manguera de desagüe DEBERÁ asegurarse a la batea fija, para evitar que la manguera se salga cuando se esté utilizando. Use la abrazadera perlada (que viene en la bolsa de accesorios) para fijar la manguera.



Paso 4: Coloque la lavadora en su lugar y nivélela

	ADVERTENCIA
<p>Las lavadoras elevadas sobre el nivel del piso deberán fijarse mediante pernos de anclaje a la superficie elevada, base o plataforma. El material usado para elevar la lavadora deberá estar también anclado al piso para impedir que la lavadora se desplace de su lugar al funcionar, y para evitar que pueda ser empujada, inclinada o deslizada de su posición de instalación. De no hacerlo, pueden presentarse condiciones peligrosas que podrían ocasionar daños a la propiedad o lesiones graves e incluso fatales.</p>	
<small>W306S</small>	

Coloque la lavadora en su posición sobre un piso limpio, firme y suficientemente nivelado. No es recomendable instalar la lavadora sobre alfombras de ningún tipo.

Afloje las tuercas de seguridad de 7/8 plg y ajuste las patas de nivelación frontales y posteriores hasta que la lavadora quede nivelada, no solo en sentido lateral sino también de atrás hacia adelante (use un nivel para este procedimiento). La lavadora no debe cojear.

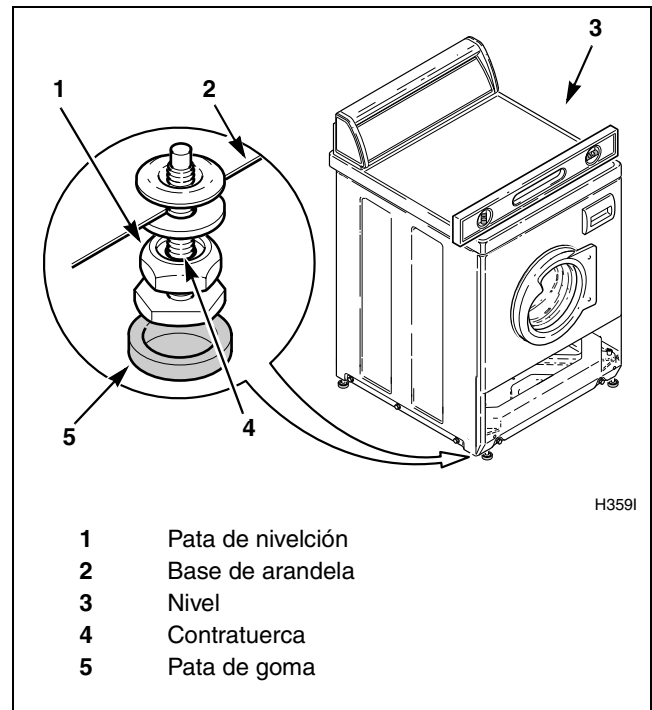
NOTA: El nivel deberá colocarse sobre la posición elevada del panel superior. Vea la ilustración.

Apriete las tuercas de seguridad firmemente contra la base de la lavadora con una llave de 7/8 plg. Si las tuercas de seguridad no se aprietan debidamente, la lavadora se moverá de su posición al funcionar.

NOTA: NO deslice la lavadora sobre el piso con las patas niveladoras extendidas ya que podrían resultar dañadas.

NOTA: El uso de la gaveta del surtidor o de la compuerta de la lavadora como agarradera al transportar la lavadora puede dañar el surtidor o la compuerta.

Saque las patas de goma que vienen en la bolsa de accesorios y colóquelas en las patas de nivelación.



Paso 5: Remoción de los manguitos de amortiguador y el tirante sujetador

Desmonte el panel de acceso frontal sacando los dos tornillos.

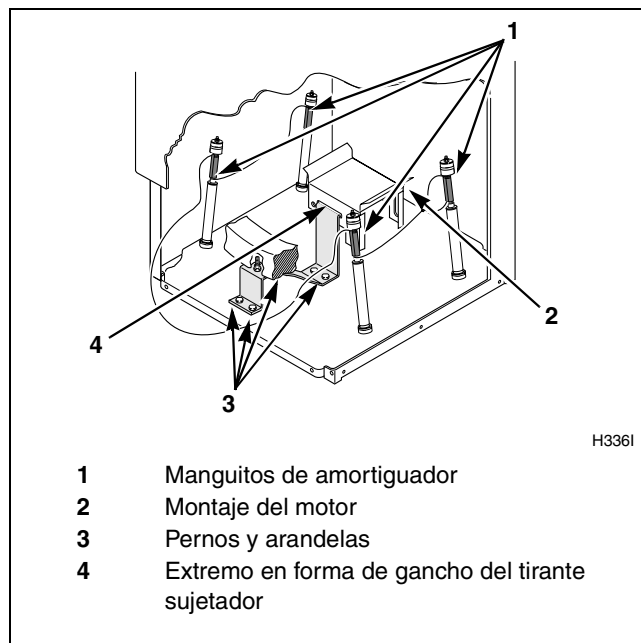
Saque los pernos de 9/16 plg y las arandelas del tirante sujetador con una llave de tuercas y saque el tirante sujetador. Desmonte los manguitos de amortiguador tirando de la cuerda amarilla.

Quite la etiqueta de la parte lateral delantera del panel de acceso frontal y colóquela en la parte posterior de dicho panel.

NOTA: El tirante sujetador, así como los pernos, arandelas y manguitos de amortiguador deben conservarse y **VOLVER A INSTALARSE** si fuera necesario desplazar la lavadora una distancia mayor de 1,2 metros (4 pies). No levante o transporte la lavadora por el frente o sin haber instalado previamente los materiales de transporte. Las instrucciones correspondientes se encuentran en la sección *Desplazamiento de la unidad a un nuevo sitio*.

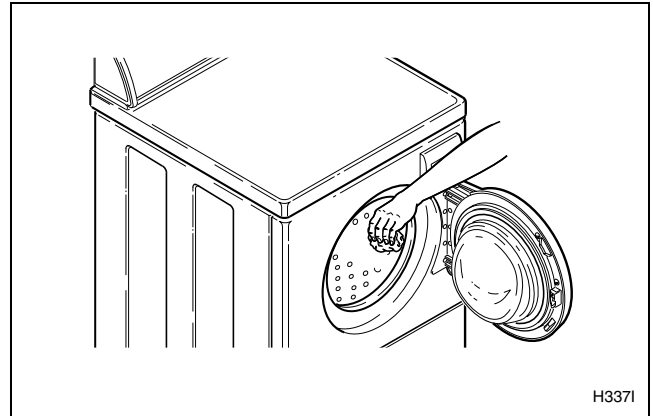
Guarde los materiales de transporte en la bolsa provista dentro de la bolsa de accesorios. Conserve los materiales para usarlos cuando haya que desplazar la lavadora.

Vuelva a instalar el panel de acceso delantero.



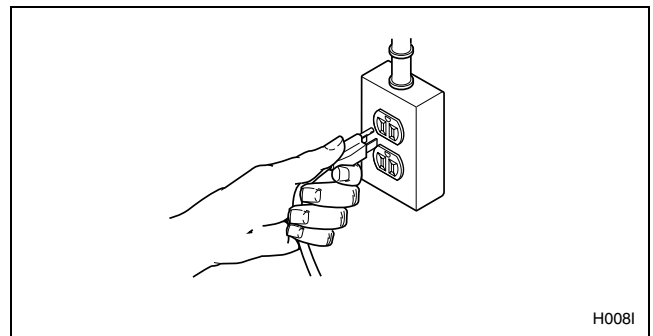
Paso 6: Limpieza del interior de la tina de la lavadora

Antes de lavar por primera vez en la lavadora, utilice un limpiador para todo uso a una solución de agua y detergente, y limpie con un paño húmedo para eliminar la suciedad que pueda haber caído en la tina de la lavadora durante el transporte.



Paso 7: Conexión de la lavadora a la fuente de suministro eléctrico

Vease la sección de *Requisitos eléctricos* y conecte la lavadora.



Paso 8: Revise de la instalación

Remítase a la *Revisión del instalador* que aparece en la contraportada de este manual y asegúrese de que la lavadora esté correctamente instalada.

Desplazamiento de la unidad a un nuevo sitio

Para prevenir daños durante el desplazamiento de la lavadora, DEBERÁ volver a instalar los materiales de transporte.

Reinstalación de los materiales de transporte

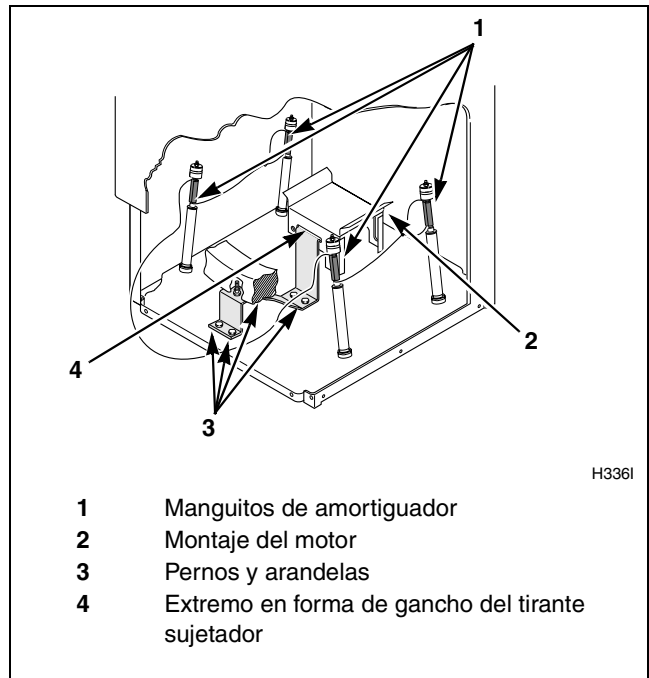
Desconecte la lavadora de la fuente de energía eléctrica.

Saque el panel de acceso frontal retirando dos tornillos.

Coloque los manguitos de amortiguador sobre los cuatro amortiguadores. Vea la ilustración.

Inserte el lado en forma de gancho del tirante sujetador de embarque dentro de la ranura del montaje del motor. Asegure con pernos y arandelas. Vea la ilustración.

Reinstale el panel de acceso frontal.



Para consultar los procedimientos adecuados para desplazar la lavadora y volver a instalarla, remítase a la sección *Instalación de la lavadora*.

Requisitos eléctricos

(Enchufe de tierra de tres terminales de 120 voltios, 60 Hertz)

NOTA: El diagrama de cableado se encuentra dentro de la campana de control.

ADVERTENCIA

Para reducir el riesgo de incendio, descarga eléctrica o lesiones personales, todo el cableado y las conexiones a tierra **DEBERÁN** cumplir con las estipulaciones de la última edición de las Normas para instalaciones eléctricas de los Estados Unidos (National Electrical Code), ANSI/NFPA 70 y las regulaciones locales pertinentes, según el caso. Es responsabilidad del cliente hacer que un electricista calificado revise el cableado, los fusibles y los cortacircuitos, a fin de asegurarse de que su vivienda cuenta con la capacidad de energía eléctrica necesaria para el funcionamiento de la lavadora.

W028SB

**No sobrecargue los circuitos
No utilice adaptador
No utilice cordón de extensión**

D0091

Instrucciones para la conexión a tierra

La lavadora debe conectarse a tierra. La conexión a tierra reduce los riesgos de eléctricas en caso de mal funcionamiento o averías eléctricas, creando una ruta de menor resistencia para la corriente eléctrica. La lavadora tiene un cordón con un conductor de tierra del equipo y un enchufe de tierra de tres terminales. Dicho enchufe debe conectarse directamente a un receptáculo apropiado que esté debidamente instalado y conectado a tierra, de conformidad con las normas y ordenanzas locales.

ADVERTENCIA

La conexión indebida del conductor de tierra del equipo puede traducirse en un peligro de descarga eléctrica. Consulte a un técnico de mantenimiento o electricista calificado si no está seguro de que su lavadora está bien conectada a tierra.

W032S

No realice modificaciones en el enchufe que trae la lavadora. Si el mismo no entra en el receptáculo, contrate los servicios de un electricista calificado para que le instale el receptáculo de pared apropiado.

NOTA: Llame a un electricista calificado para que revise la polaridad del receptáculo de pared. Si la lectura del voltaje difiere de la que aparece en la ilustración, el electricista debe solucionar el problema.

**Circuito estándar de tres conductores,
de 120 voltios 60 Hertz, 15 amperios,
debidamente conectado a tierra**

D7991

1	Terminal "L1"
2	Tierra
3	Lado neutro
4	Terminal de tierra de sección redonda
5	Neutro
6	120 ± 12 V.C.A.
7	0 V.C.A.
8	120 ± 12 V.C.A.

Requisitos de suministro de agua



ADVERTENCIA

En ciertos casos, puede acumularse gas hidrógeno en el sistema de agua caliente si el agua no ha sido utilizada durante dos semanas o más. **EL GAS HIDRÓGENO ES EXPLOSIVO.** Si no se ha utilizado el sistema de agua caliente durante este lapso de tiempo, antes de usar la lavadora abra los grifos de agua caliente y deje que el agua fluya durante varios minutos. De esta manera se liberará el gas de hidrógeno acumulado. Este gas es inflamable. No fume ni use una llama abierta durante este procedimiento.

W029SB

NOTA: Los grifos de suministro de agua deben entrar en uniones hembra estándar de 19,05 mm (3/4 plg) para mangueras de jardín. **NO USE CONEXIONES DE GANCHO O DE DESLIZAMIENTO.**

NOTA: Debe tenerse un fácil acceso a los grifos de suministro de agua para poder cerrarlos cuando no se esté utilizando la lavadora.

Temperatura del agua

Fría:

Se recomienda una temperatura para el agua fría entre 16° y 27° Centígrados (60° y 80° grados Fahrenheit).

Caliente:

Se recomienda una temperatura para el agua caliente entre 49° y 60° Centígrados (120° y 140° Fahrenheit).

Tibia:

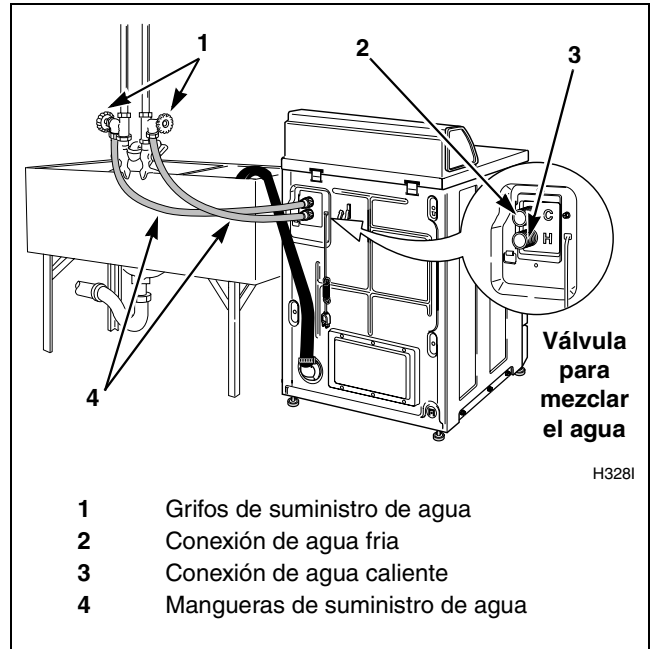
Es una mezcla de agua caliente y agua fría. (La temperatura del agua tibia depende de la temperatura del agua y de la presión de las tuberías de agua caliente y agua fría).

NOTA: Cierre los grifos de suministro de agua después de la revisión y prueba. El dueño del electrodoméstico debe cerrar los grifos de suministro de agua siempre que no vaya a utilizar la lavadora por un período de tiempo prolongado.

NOTA: Pueden adquirirse mangueras de suministro de agua más largas (como equipo opcional con un costo adicional), si las mangueras que vienen con la lavadora no son lo suficientemente largas para la instalación. Pida sus mangueras de la manera siguiente:

Manguera de suministro N^o. 20617 (2,44 m) (8 pies)

Manguera de suministro N^o. 20618 (3,05 m) (10 pies)



Presión del agua

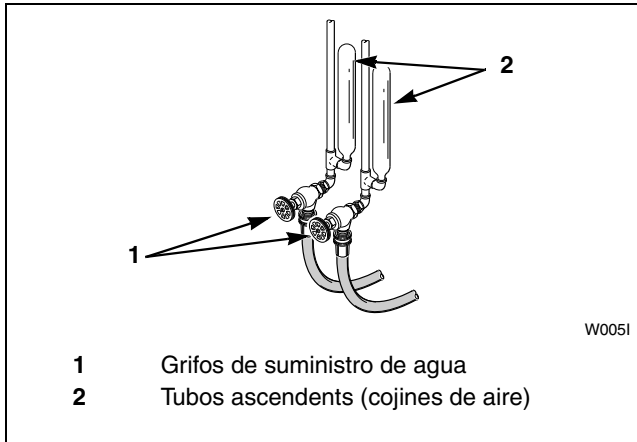
La presión estática del agua medida en el grifo deberá oscilar entre 138 a 827 kPa (20 libras por pulgada cuadrada la mínima y 120 libras por pulgada cuadrada la máxima).

NOTA: Una presión del agua menor a las 138 kPa (20 libras por pulgada cuadrada) causa un aumento del tiempo de llenado de la lavadora y podría no activar debidamente el surtidor de detergente.

Requisitos de suministro de agua

Tubos ascendentes

Quizá sea necesario instalar tubos ascendentes (o cojines de aire), si entra aire en los tubos y los mismos emiten un golpeteo cuando cesa el suministro de agua. Los tubos ascendentes son más eficaces cuando se instalan lo más cerca posible de los grifos de suministro de agua (véase la ilustración siguiente).



Installer Check

Fast Track for Installing the Washer

(Refer to the manual for more detailed information)

Revisión del instalador

Guía rápida para instalar la lavadora

(Véase el manual para obtener una información más detallada)

1

- Position Washer Near Installation Area.
- Coloque la lavadora cerca del área de instalación.



**CHECK/
REALIZADO**

H3271

5

- Remove the Shipping Brace and Shock Sleeves.
- Saque los manguitos de amortiguador y el tirante sujetador.



**CHECK/
REALIZADO**

H3361

2

- Connect Water Inlet Hoses.
- Conecte las mangueras de suministro de agua.

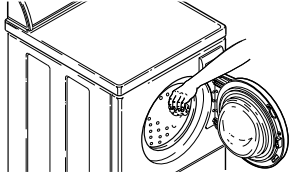


**CHECK/
REALIZADO**

W0041

6

- Wipe Out Inside of Wash Drum.
- Limpie el interior de la tina de la lavadora.

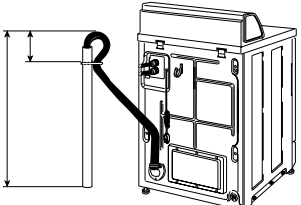


**CHECK/
REALIZADO**

H3371

3

- Connect Drain Hose to Drain Receptacle.
- Conecte la manguera de desagüe al receptáculo de desagüe.

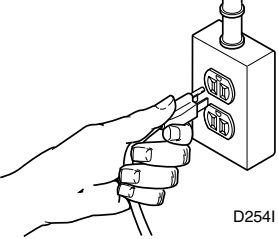


**CHECK/
REALIZADO**

H3301

7

- Plug In the Washer.
- Conecte la lavadora a la suministro eléctrico.

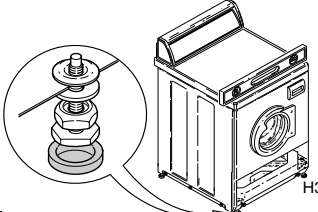


**CHECK/
REALIZADO**

D2541

4

- Position and Level the Washer.
- Coloque y nivele la lavadora.



**CHECK/
REALIZADO**

H3591

Free Manuals Download Website

<http://myh66.com>

<http://usermanuals.us>

<http://www.somanuals.com>

<http://www.4manuals.cc>

<http://www.manual-lib.com>

<http://www.404manual.com>

<http://www.luxmanual.com>

<http://aubethermostatmanual.com>

Golf course search by state

<http://golfingnear.com>

Email search by domain

<http://emailbydomain.com>

Auto manuals search

<http://auto.somanuals.com>

TV manuals search

<http://tv.somanuals.com>