

# Washer-Extractors

Cabinet Freestanding  
Coin Models



Installation/Operation Supplement

**Keep These Instructions for Future Reference.**

(If this machine changes ownership, this manual must accompany machine.)



[www.comlaundry.com](http://www.comlaundry.com)

Part No. 9002062R2  
July 2008



# Table of Contents

<b>Introduction</b> .....	2
Model Identification .....	2
<b>Safety Information</b> .....	3
Explanation of Safety Messages.....	3
Important Safety Instructions .....	3
Safety Decals .....	5
Operator Safety .....	6
<b>Specifications and Dimensions</b> .....	7
<b>Installation</b> .....	11
Dimensional Clearances.....	11
Machine Foundation .....	11
Mounting Bolt Installation (If Required).....	12
Removing the Transport Block.....	13
<b>Operation</b> .....	15
Control Panel .....	15
Operating Instructions .....	16
<b>Disposal of Unit</b> .....	18

© Copyright 2008, Alliance Laundry Systems LLC

All rights reserved. No part of the contents of this book may be reproduced or transmitted in any form or by any means without the expressed written consent of the publisher.

# Introduction

## Model Identification


Information in this manual is applicable to these models:


NX18BVPA6	NX18BVXM7	NX30BVXA7	SX30BVPA7
NX18BVPA7	NX30BVPA6	NX30BVXM7	SX30BVQA7
NX18BVQA6	NX30BVPA7	SX18BVPA7	SX30BVXA7
NX18BVQA7	NX30BVQA6	SX18BVQA7	SX30BVXM7
NX18BVXA6	NX30BVQA7	SX18BVXA7	
NX18BVXA7	NX30BVXA6	SX18BVXM7	


# Safety Information

## Explanation of Safety Messages

Precautionary statements (“DANGER,” “WARNING,” and “CAUTION”), followed by specific instructions, are found in this manual and on machine decals. These precautions are intended for the personal safety of the operator, user, servicer, and those maintaining the machine.

	<b>DANGER</b>
<p><b>DANGER</b> indicates the presence of a hazard that will cause severe personal injury, death, or substantial property damage if the danger is ignored.</p>	

	<b>WARNING</b>
<p><b>WARNING</b> indicates the presence of a hazard that can cause severe personal injury, death, or substantial property damage if the warning is ignored.</p>	


	<b>CAUTION</b>
<p><b>CAUTION</b> indicates the presence of a hazard that will or can cause minor personal injury or property damage if the caution is ignored.</p>	

Additional precautionary statements (“IMPORTANT” and “NOTE”) are followed by specific instructions.

**IMPORTANT:** The word “IMPORTANT” is used to inform the reader of specific procedures where minor machine damage will occur if the procedure is not followed.

**NOTE:** The word “NOTE” is used to communicate installation, operation, maintenance or servicing information that is important but not hazard related.

## Important Safety Instructions

	<b>WARNING</b>
<p><b>To reduce the risk of fire, electric shock, serious injury or death to persons when using your washer, follow these basic precautions:</b></p>	
W023	


1. Read all instructions before using the washer.
2. Refer to the **GROUNDING INSTRUCTIONS** in the **INSTALLATION** manual for the proper grounding of the washer.
3. Do not wash textiles that have been previously cleaned in, washed in, soaked in, or spotted with gasoline, kerosene, waxes, cooking oils, dry-cleaning solvents, or other flammable or explosive substances as they give off vapors that could ignite or explode.
4. Do not add gasoline, dry-cleaning solvents, or other flammable or explosive substances to the wash water. These substances give off vapors that could ignite or explode.
5. Under certain conditions, hydrogen gas may be produced in a hot water system that has not been used for two weeks or more. **HYDROGEN GAS IS EXPLOSIVE.** If the hot water system has not been used for such a period, before using a washing machine or combination washer-dryer, turn on all hot water faucets and let the water flow from each for several minutes. This will release any accumulated hydrogen gas. The gas is flammable, do not smoke or use an open flame during this time.
6. Do not allow children to play on or in the washer. Close supervision of children is necessary when the washer is used near children. This is a safety rule for all appliances.
7. Before the washer is removed from service or discarded, remove the door to the washing compartment.
8. Do not reach into the washer if the wash drum is moving.

## Installation/Operation Supplement


9. Do not install or store the washer where it will be exposed to water and/or weather.
10. Do not tamper with the controls.
11. Do not repair or replace any part of the washer, or attempt any servicing unless specifically recommended in the user-maintenance instructions or in published user-repair instructions that the user understands and has the skills to carry out.
12. To reduce the risk of an electric shock or fire, DO NOT use an extension cord or an adapter to connect the washer to the electrical power source.
13. Use washer only for its intended purpose, washing textiles.
14. Never wash machine parts or automotive parts in the machine. This could result in serious damage to the basket.
15. ALWAYS disconnect the washer from electrical supply before attempting any service. Disconnect the power cord by grasping the plug, not the cord.
16. Install the washer according to the INSTALLATION INSTRUCTIONS. All connections for water, drain, electrical power and grounding must comply with local codes and be made by licensed personnel when required.
17. To reduce the risk of fire, textiles which have traces of any flammable substances such as vegetable oil, cooking oil, machine oil, flammable chemicals, thinner, etc., or anything containing wax or chemicals such as in mops and cleaning cloths, must not be put into the washer. These flammable substances may cause the fabric to catch on fire by itself.
18. Do not use fabric softeners or products to eliminate static unless recommended by the manufacturer of the fabric softener or product.
19. Keep washer in good condition. Bumping or dropping the washer can damage safety features. If this occurs, have washer checked by a qualified service person.
20. If the supply cord is damaged, it must be replaced by a special cord or assembly available from the manufacturer or its service agent.
21. Be sure water connections have a shut-off valve and that fill hose connections are tight. CLOSE the shut-off valves at the end of each wash day.
22. Loading door MUST BE CLOSED any time the washer is to fill, tumble or spin. DO NOT bypass the loading door switch by permitting the washer to operate with the loading door open.
23. Always read and follow manufacturer's instructions on packages of laundry and cleaning aids. Heed all warnings or precautions. To reduce the risk of poisoning or chemical burns, keep them out of the reach of children at all times (preferably in a locked cabinet).
24. Always follow the fabric care instructions supplied by the textile manufacturer.
25. Never operate the washer with any guards and/or panels removed.
26. DO NOT operate the washer with missing or broken parts.
27. DO NOT bypass any safety devices.
28. Failure to install, maintain, and/or operate this washer according to the manufacturer's instructions may result in conditions which can produce bodily injury and/or property damage.


**NOTE: The WARNINGS and IMPORTANT SAFETY INSTRUCTIONS appearing in this manual are not meant to cover all possible conditions and situations that may occur. Common sense, caution and care must be exercised when installing, maintaining, or operating the washer.**


Any problems or conditions not understood should be reported to the dealer, distributor, service agent or the manufacturer.

	<b>WARNING</b>
<p>This machine must be installed, adjusted, and serviced by qualified electrical maintenance personnel familiar with the construction and operation of this type of machinery. They must also be familiar with the potential hazards involved. Failure to observe this warning may result in personal injury and/or equipment damage, and may void the warranty.</p>	
SW004	

**IMPORTANT:** Ensure that the recommended clearances for inspection and maintenance are provided. Never allow the inspection and maintenance space to be blocked.

	<b>WARNING</b>
<p>Install the machine on a level floor of sufficient strength. Failure to do so may result in conditions which can produce serious injury, death and/or property damage.</p>	
W703	

	<b>CAUTION</b>
<p>Be careful around the open door, particularly when loading from a level below the door. Impact with door edges can cause personal injury.</p>	
SW025	

	<b>WARNING</b>
<p>Never touch internal or external steam pipes, connections, or components. These surfaces can be extremely hot and will cause severe burns. The steam must be turned off and the pipe, connections, and components allowed to cool before the pipe can be touched.</p>	
SW014	

## Safety Decals

Safety decals appear at crucial locations on the machine. Failure to maintain legible safety decals could result in injury to the operator or service technician.

To provide personal safety and keep the machine in proper working order, follow all maintenance and safety procedures presented in this manual. If questions regarding safety arise, contact the manufacturer immediately.

Use manufacturer-authorized spare parts to avoid safety hazards.

## Operator Safety


	<b>WARNING</b>
<p><b>NEVER insert hands or objects into basket until it has completely stopped. Doing so could result in serious injury.</b></p>	
<small>SW012</small>	

To ensure the safety of machine operators, the following maintenance checks must be performed daily:

1. Prior to operating the machine, verify that all warning signs are present and legible. Missing or illegible signs must be replaced immediately. Make certain that spares are available.
2. Check door interlock before starting operation of the machine:
  - a. Attempt to start the machine with the door open. The machine should not start with the door open.
  - b. Close the door without locking it and attempt to start the machine. The machine should not start with the door unlocked.
  - c. Close and lock the door and start a cycle. Attempt to open the door while the cycle is in progress. The door should not open.

If the door lock and interlock are not functioning properly, call a service technician.
3. Do not attempt to operate the machine if any of the following conditions are present:
  - a. The door does not remain securely locked during the entire cycle.
  - b. Excessively high water level is evident.
  - c. Machine is not connected to a properly grounded circuit.

Do not bypass any safety devices in the machine.

	<b>WARNING</b>
<p><b>Never operate the machine with a bypassed or disconnected balance system. Operating the machine with severe out-of-balance loads could result in personal injury and serious equipment damage.</b></p>	
<small>SW039</small>	



# Specifications and Dimensions

<b>General Specifications</b>			
<b>Model</b>		<b>18</b>	<b>30</b>
<b>Overall Dimensions</b>			
<b>Overall width</b>		660 mm (26 in.)	780 mm (30.7 in.)
<b>Overall height</b>		1038 mm (40.9 in.)	1202 mm (47.3 in.)
<b>Overall depth</b>		739 mm (29.1 in.)	842 mm (33.1 in.)
<b>Weight and Shipping Information</b>			
<b>Net weight</b>		211 kg (465.2 lb.)	325kg (716.5 lb.)
<b>Shipping weight</b>		233 kg (513.7 lb.)	355 kg (782.6 lb.)
<b>Shipping volume</b>		0.8 m <sup>3</sup> (22.5 ft <sup>3</sup> )	1.3 m <sup>3</sup> (34.7 ft <sup>3</sup> )
<b>Wash Cylinder Information</b>			
<b>Cylinder diameter</b>		530 mm (20.9 in.)	650 mm (25.6 in.)
<b>Cylinder depth</b>		330 mm (13 in.)	400 mm (15.76 in.)
<b>Cylinder volume</b>		76 l (2.7 ft <sup>3</sup> )	132 l (4.66 ft <sup>3</sup> )
<b>Perforation size</b>		3 mm (0.12 in.)	3 mm (0.12 in.)
<b>Door Opening Information</b>			
<b>Door opening size</b>		300 mm (11.8 in.)	300 mm (11.8 in.)
<b>Height of door bottom above floor</b>		280 mm (11 in.)	381 mm (15 in.)
<b>Water Consumption</b>			
<b>Average water consumption per cycle</b>		HOT	11 l (3 gal.)
		COLD	68 l (18 gal.)
<b>Power Consumption</b>			
<b>Average power used per cycle</b>		Motor	0.15 kW/hr
		Heating	1.5 kW/hr

Installation/Operation Supplement

<b>General Specifications</b>		
<b>Model</b>	<b>18</b>	<b>30</b>
<b>Drive Train Information</b>		
<b>Number of motors in drive train</b>	1	1
<b>Drive motor power</b>	1 HP (0.75 kW)	2 HP (1.5 kW)
<b>Cylinder Speeds</b>		
<b>Wash/reverse speed</b>	10-50 RPM	10-50 RPM
<b>Distribution/drain speed</b>	85 RPM	85 RPM
<b>Extract speed</b>	250-1000 RPM	250-1000 RPM
<b>Centrifugal Force Data</b>		
<b>Wash/reverse centrifugal force</b>	0.03-0.74 Gs	0.04-0.91 Gs
<b>Extract centrifugal force</b>	19-296 Gs	23-363 Gs
<b>Balance Detection</b>		
<b>Vibration safety switch installed</b>	Standard	Standard
<b>Electrical Heating (International Models Only)</b>		
<b>Total electrical heating capacity</b>	9 kW	18 kW
<b>Electrical heating elements</b>	3	6
<b>Electrical heat element size</b>	3 kW	3 kW

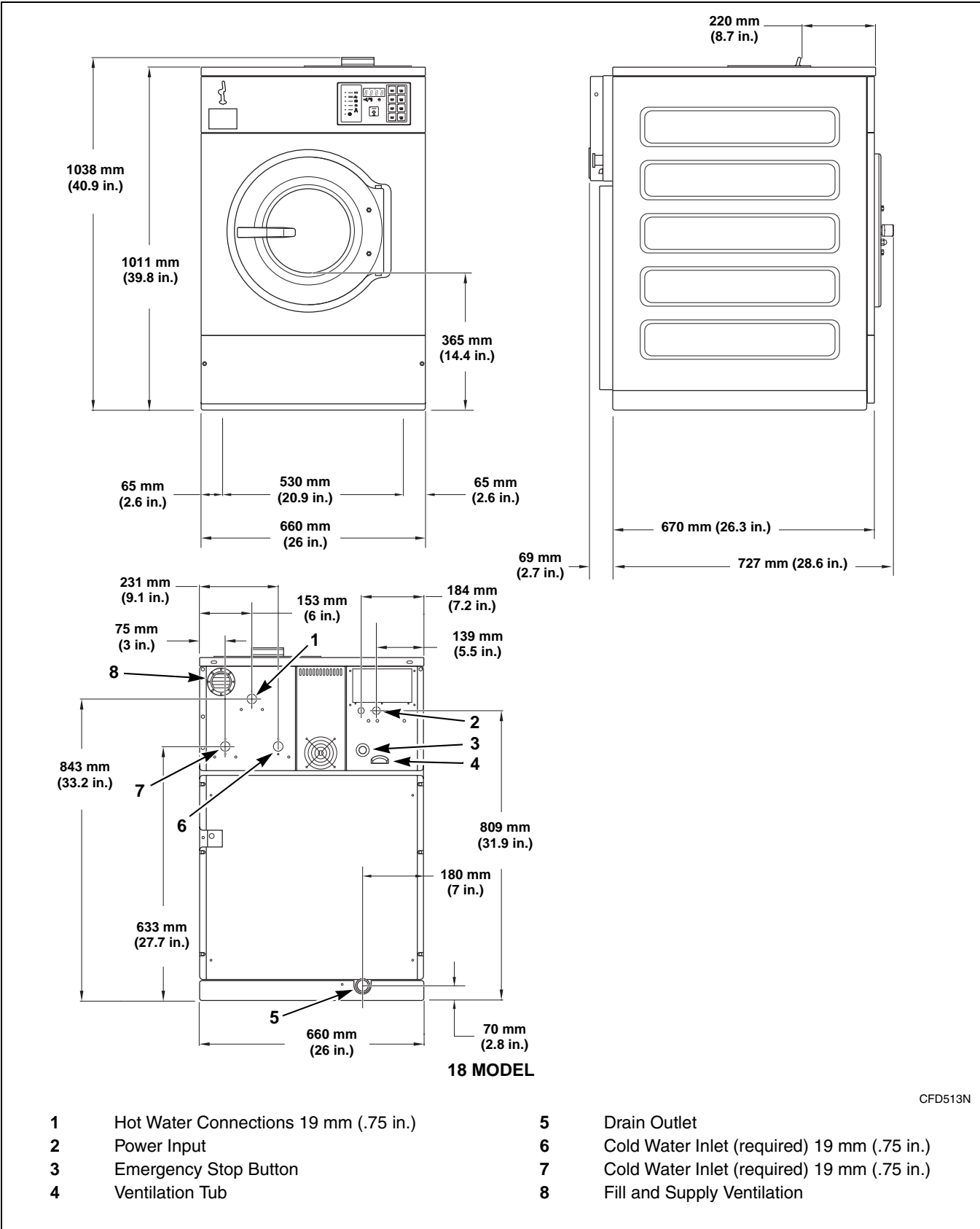
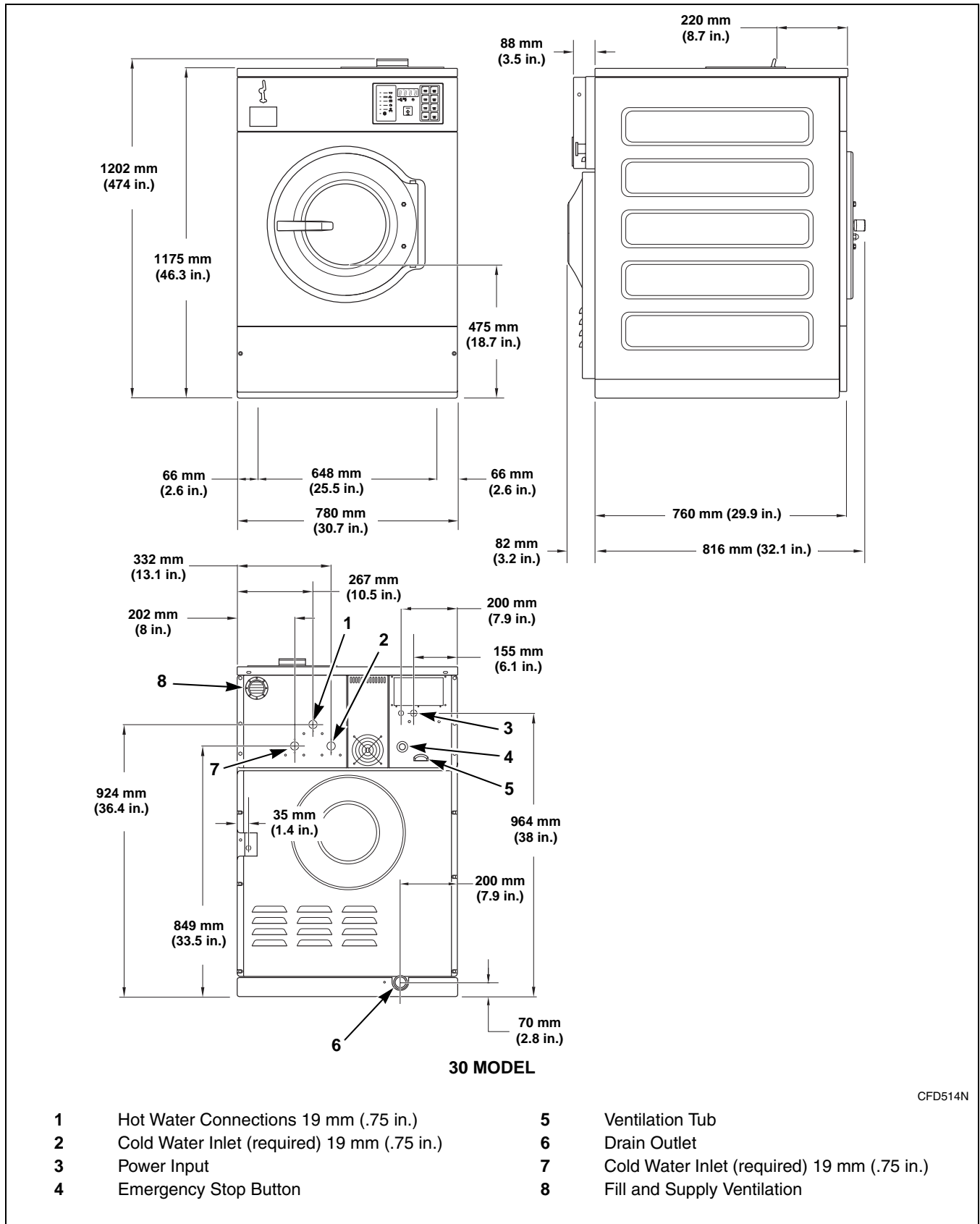


Figure 1

# Installation/Operation Supplement



CFD514N

Figure 2

# Installation

## Dimensional Clearances


Table 1 shows recommended minimum clearances on all sides of the washer-extractor.

Recommended Minimum Clearances		
Model	18	30
Minimum rear clearance	600 mm (24 in.)	600 mm (24 in.)
Minimum clearance between machine and wall	150 mm (6 in.)	150 mm (6 in.)
Minimum clearance between machines (side)	25.4 mm (1 in.)	25.4 mm (1 in.)
Minimum front clearance (door swing)	419 mm (16.5 in.)	419 mm (16.5 in.)

Table 1

## Machine Foundation

Thoroughness of detail must be stressed with all foundation work to ensure a stable unit installation, eliminating possibilities of excessive vibration during extract.

	<b>CAUTION</b>
<p><b>Ensure that the machine is installed on a level floor of sufficient strength and that the recommended clearances for inspection and maintenance are provided. Never allow the inspection and maintenance space to be blocked.</b></p>	
W488	

The washer-extractor must be placed on a smooth level surface so that the entire base of the machine is supported and rests on the mounting surface.

The standard installation does not require anchoring unless mandated by state or local codes.

Kinetic energy of the cylinder and dynamic loads on the floor or foundation are shown in Table 2.

Table 2 can be used as a reference when designing floors and foundations.

Floor Load Data		
Model	18	30
Kinetic energy of the cylinder	1386 N/m	2592 N/m
Dynamic bottom load	700 N/16 Hz	1000 N/16 Hz

Table 2

## Mounting Bolt Installation (If Required)

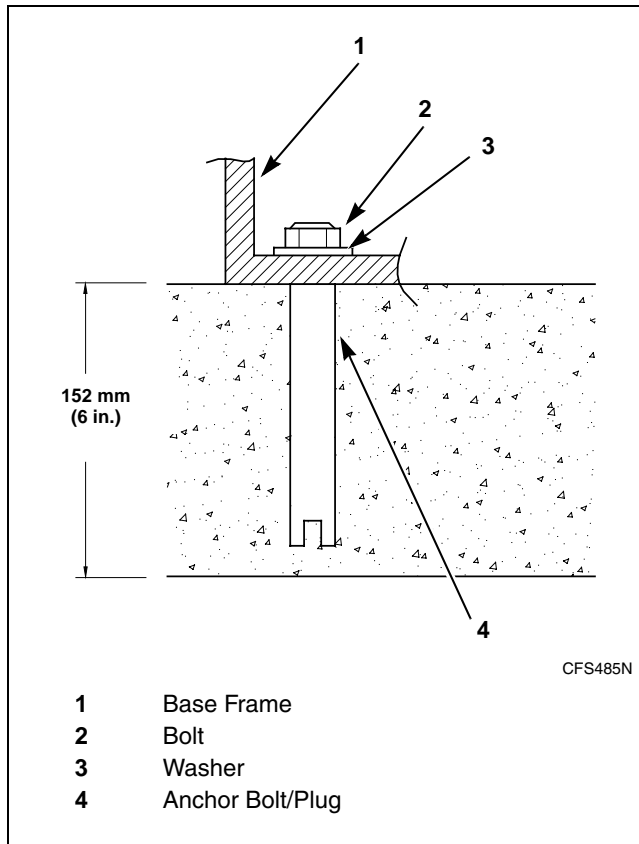


Figure 3

After the concrete has cured and the anchors are installed, proceed as follows:

1. Place the washer-extractor adjacent to the foundation. Do not attempt to move it by pushing on the sides. Always insert a pry bar or other device under the bottom of the frame of the washer-extractor to move it.
2. Place the washer-extractor carefully over the anchors.
3. Put bolts through the machine in the anchors and fasten them. The diameter of the bolt must be minimum 1/2-13 or 12 mm. To level machine, fill the spaces between the machine base and floor with machinery grout. Grout completely under all frame members. Remove front and rear panels to gain access to all frame members. Force grout under the machine base until all voids are filled.
4. Remove the spacers carefully, allowing the machine to settle into the wet grout.
5. Position washers and locknuts on machinery anchor bolts and fingertighten to machine base.
6. After the grout is completely dry, tighten the locknuts by even increments – one after the other – until all are tightened evenly and the machine is fastened securely to the floor.

## Removing the Transport Block



### WARNING

The machine must never be activated before removing the transport block.

W618

To prevent damage during transportation, machine has been equipped with a transport block. To remove, proceed as follows:

1. Place machine on level ground.
2. Remove service panels and back panel.
3. At rear of machine, lift at bottom of motor and remove transport block if present. Refer to *Figure 4*.

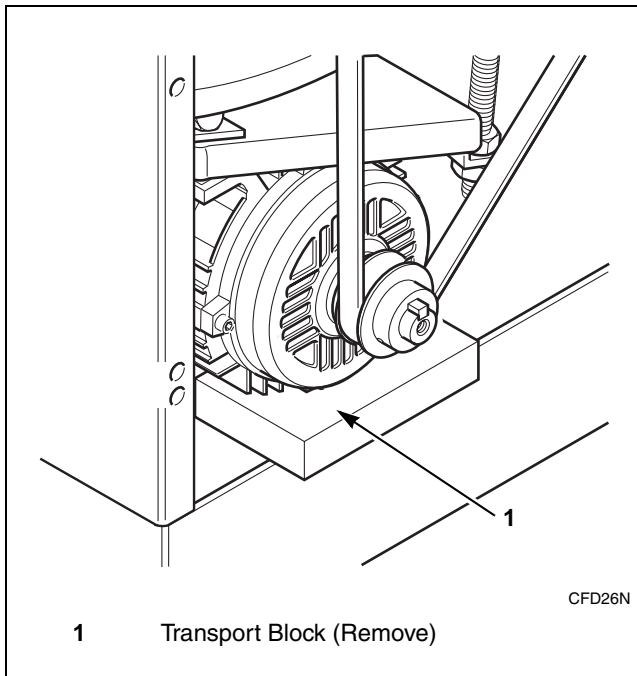


Figure 4

**IMPORTANT: Do NOT lift motor by the pulley.**

4. Remove the panel braces. Refer to *Figure 5*.

**IMPORTANT: Do NOT remove panel braces.** They may be located in either the front or on the side and rear of the machine. Refer to *Figure 5*.

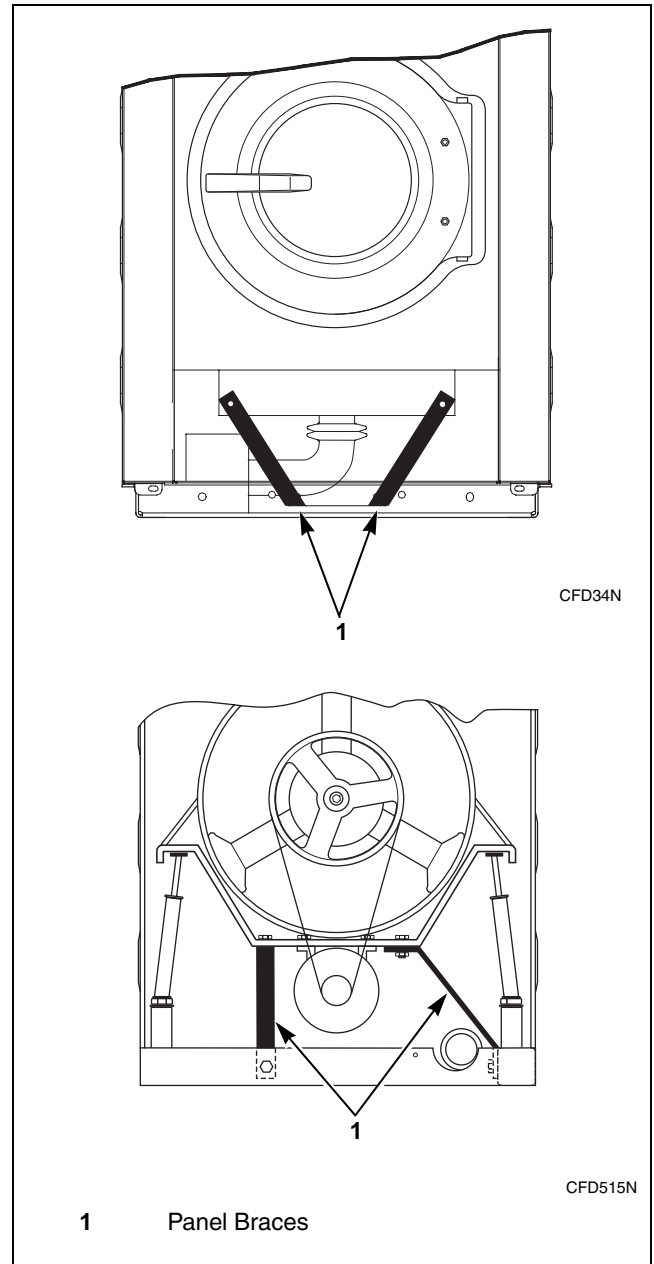


Figure 5

5. Replace all panels removed.

Installation/Operation Supplement

Electrical Specifications													
Voltage Designation						Standard				Electric Heat			
Model	Code	Voltage	Cycle	Phase	Wire	Full Load Amps	Circuit Breaker	AWG/mm <sup>2</sup>	KW	Full Load Amps	Circuit Breaker	AWG/mm <sup>2</sup>	KW
18	P	380-415	50/60	3	3+N+PE	Not available				21	30	10/6.0	9
	Q	200-240	50/60	3	3+PE	Not available				27	30	10/6.0	9
	X	200-240	50/60	1/3	2/3+PE	12	16	14/2.5	0.75	Not available			
30	P	380-415	50/60	3	3+N+PE	Not available				36	40	8/10.0	18
	Q	200-240	50/60	3	3+PE	Not available				49	60	6/16.0	18
	X	200-240	50/60	1/3	2/3+PE	13	20	12/4.0	1.5	Not available			

Table 3



# Operation

## Control Panel

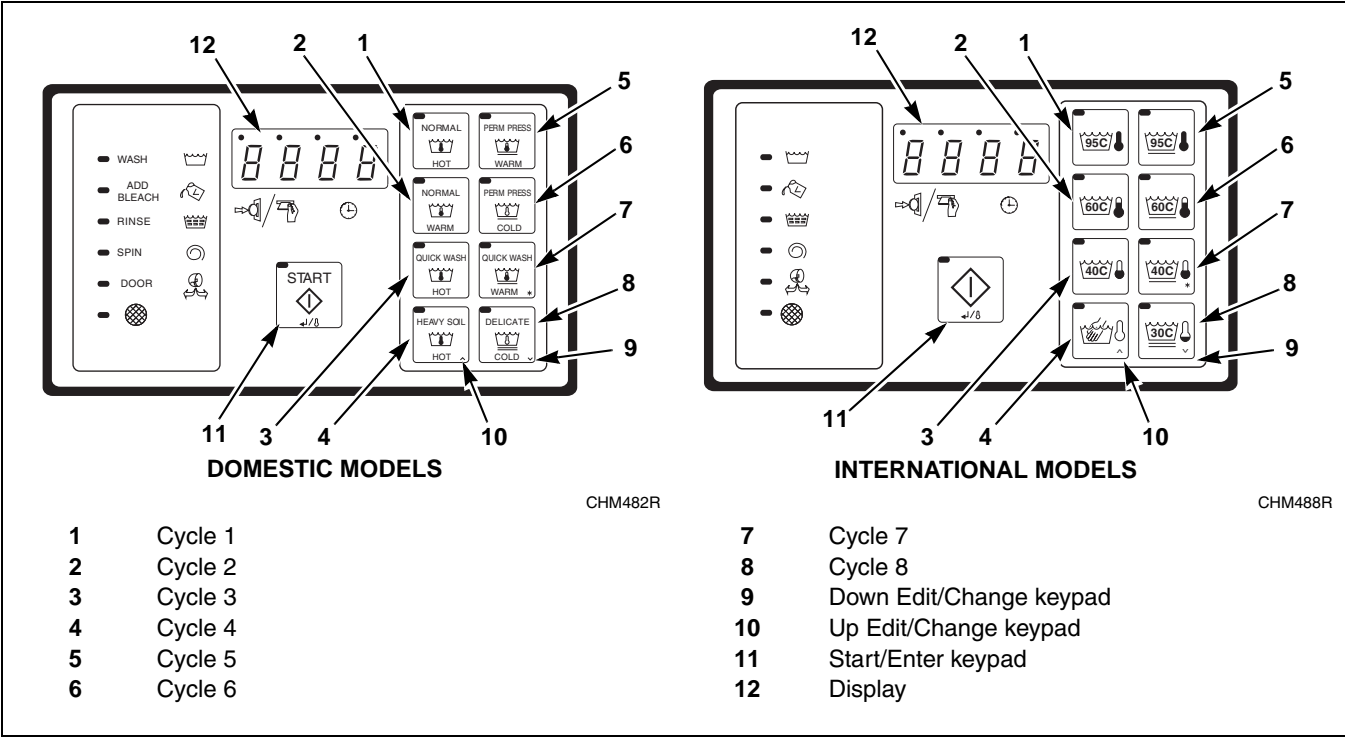


Figure 6

## Operating Instructions

1. Turn on main power source (circuit breaker).
2. Pull door handle away from machine to open door. On some models it may be necessary to push handle's button. Refer to *Figure 7*.

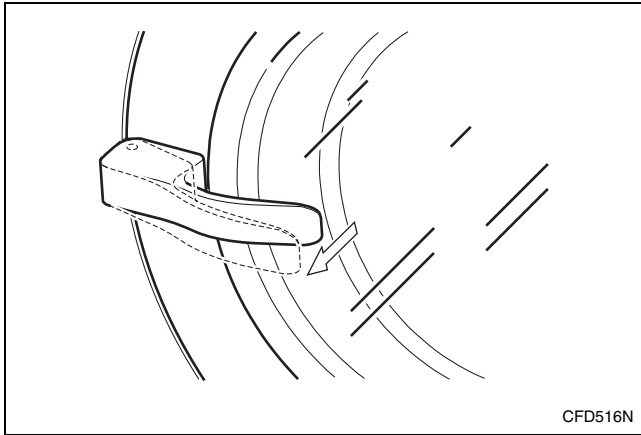


Figure 7

3. Load to capacity whenever possible. **DO NOT OVERLOAD.** Refer to *Figure 8*.

**NOTE: Underloading can cause out-of-balance conditions that can shorten machine life.**

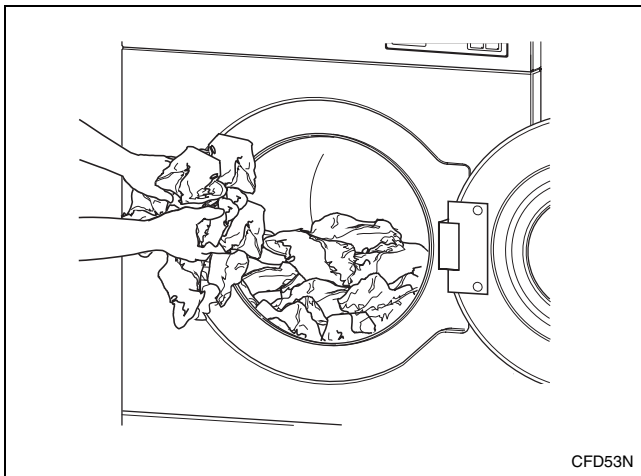


Figure 8

4. Close door by pushing door handle towards machine. Refer to *Figure 9*.

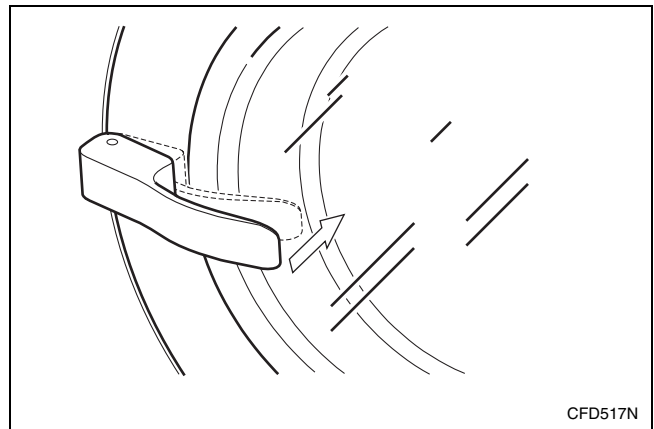


Figure 9

5. The default wash cycle will display.

**NOTE: Perm Press Cold 60°C is the default cycle for coin models if none is selected.**

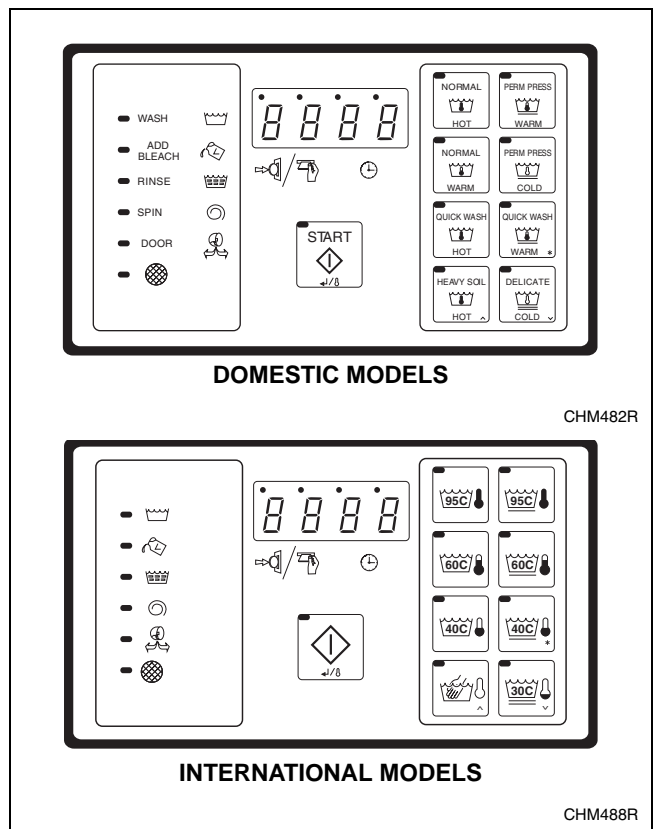


Figure 10

6. If desired, select a different cycle at this point before satisfying vend. The LED indicator for that cycle will light.
7. Add liquid and/or powder supplies to supply dispenser. Refer to *Figure 11*.
  - a. Add detergent to compartment 1.
  - b. Add softener to compartment 3.

8. Add coins to machine. As each coin is added, the vend counts down to the amount remaining. Refer to *Figure 11*.
9. **When applicable**, add bleach to compartment 2 when the ADD BLEACH LED is lit.
10. Press the desired wash cycle keypad.
11. Press the START keypad and the active cycle remains the chosen wash cycle.
12. When cycle is complete, display shows “donE”.

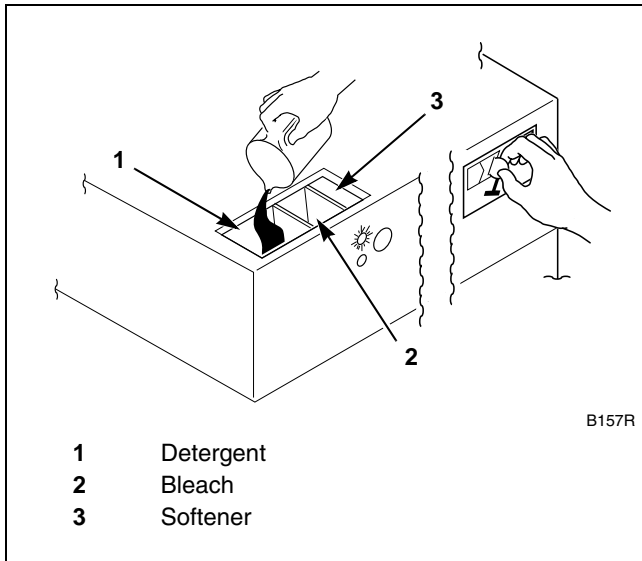


Figure 11

## Disposal of Unit

This appliance is marked according to the European directive 2002/96/EC on Waste Electrical and Electronic Equipment (WEEE).

This symbol on the product or on its packaging indicates that this product shall not be treated as household waste. Refer to *Figure 12*. Instead it shall be handed over to the applicable collection point for the recycling of electrical and electronic equipment. Ensuring this product is disposed of correctly will help prevent potential negative consequences for the environment and human health which could otherwise be caused by inappropriate waste handling of this product. The recycling of materials will help to conserve natural resources. For more detailed information about recycling of this product, please contact the local city office, household waste disposal service, or the source from which the product was purchased.

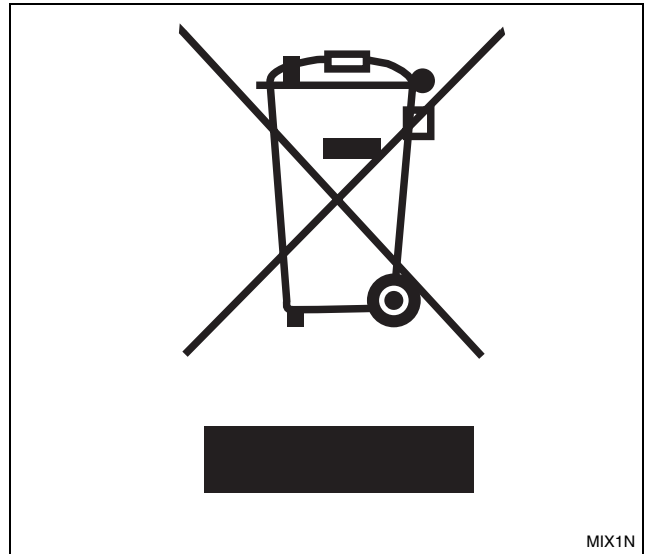


Figure 12

## Free Manuals Download Website

<http://myh66.com>

<http://usermanuals.us>

<http://www.somanuals.com>

<http://www.4manuals.cc>

<http://www.manual-lib.com>

<http://www.404manual.com>

<http://www.luxmanual.com>

<http://aubethermostatmanual.com>

Golf course search by state

<http://golfingnear.com>

Email search by domain

<http://emailbydomain.com>

Auto manuals search

<http://auto.somanuals.com>

TV manuals search

<http://tv.somanuals.com>