

AT-MCF2000AC Power Supply Module Installation Guide

Allied Telesis, Inc.
www.alliedtelesis.com

Overview

The AT-MCF2000AC module is an AC power supply unit for the AT-MCF2000 series of media converter chassis.

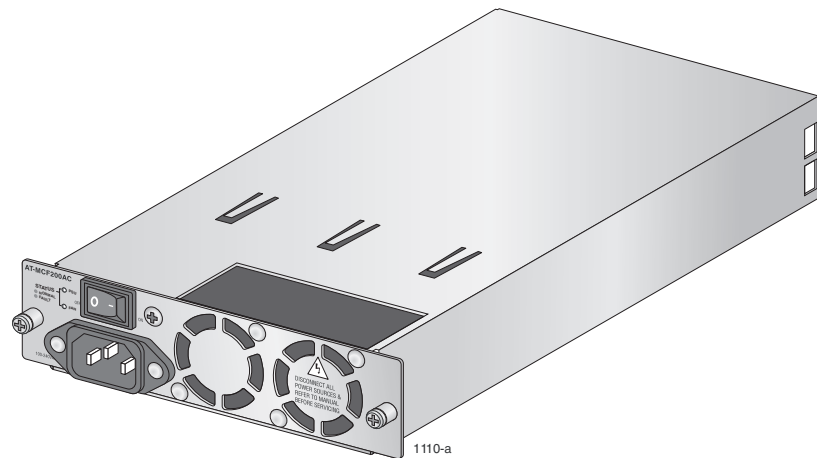


Figure 1. AT-MCF2000AC Power Supply Module

Note

For a list of available chassis models in the AT-MCF2000 media converter product line, contact your Allied Telesis sales representative or visit our web site.



Review the following before you begin to install the module in the chassis:

- ❑ Refer to the chassis' Installation Guide to verify that the module is appropriate for the unit.
- ❑ For instructions on how to remove a power supply module, refer to the chassis's Installation Guide.
- ❑ The AT-MCF2000AC power supply module is hot-swappable. You can install or replace the module while the chassis is powered on.
- ❑ Refer to the chassis' Installation Guide for a list of safety precautions to observe when installing the power supply module in the unit.
- ❑ The following procedure uses the AT-MCF2000 media converter chassis for illustration purposes. Your chassis may be different.

Package Contents

Make sure the following items are included in the shipping package. If an item is missing or damaged, contact your Allied Telesis sales representative for assistance.

- ❑ One AT-MCF2000AC power supply module
- ❑ Four regional AC power cords
- ❑ One power cord retaining clip
- ❑ This Installation Guide

Installing the AT-MCF2000AC Power Supply Module

To install the AT-MCF2000AC power supply module, perform the following procedure:

1. Remove the power supply module from the shipping package. Store the packaging material in a safe location. You must use the original shipping material if you need to return the unit to Allied Telesis.
2. Remove a blank panel from a power supply/fan module slot on the back panel of the chassis by loosening the two captive screws of the panel with a cross-head screwdriver. Refer to the chassis' Installation Guide for the location of the power supply/fan module slots.

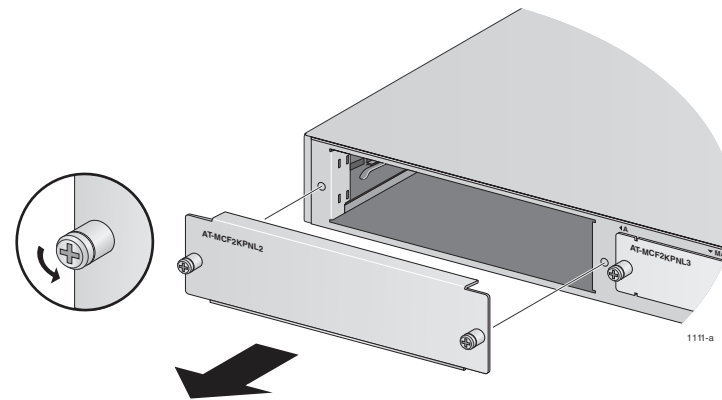


Figure 2. Removing the Blank Panel from a Power Supply/Fan Module Slot

3. Slide the power supply module into the slot as shown in Figure 3, until it is flush with the back panel of the chassis. Light pressure may be needed to seat the module on the connector on the back panel of the chassis.



Caution

Do not force the module into place. Doing so may damage the connector pins on the backplane inside the chassis.

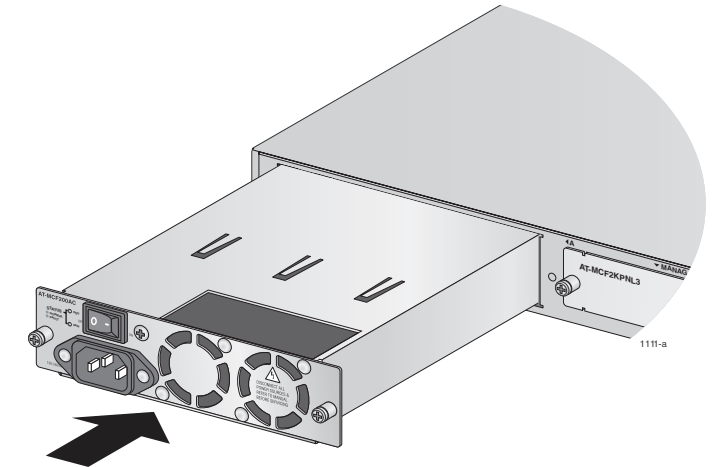


Figure 3. Installing the AT-MCF2000AC Power Supply Module

4. Secure the power supply module to the chassis by tightening the two captive screws using a cross-head screwdriver. Refer to Figure 4.

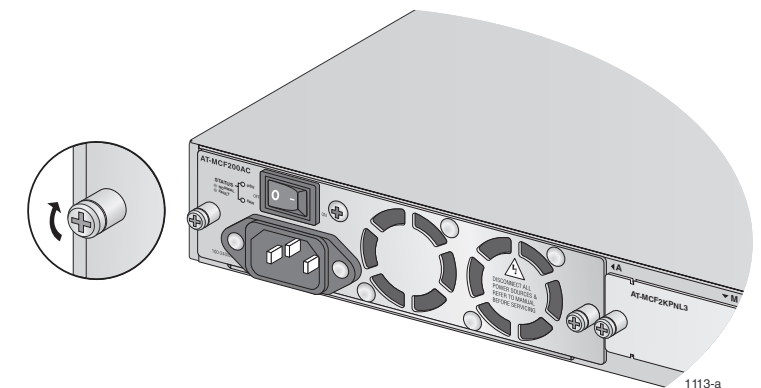


Figure 4. Securing the Power Supply Module

5. Locate the retaining brackets on either side of the AC power connector. Refer to Figure 5.

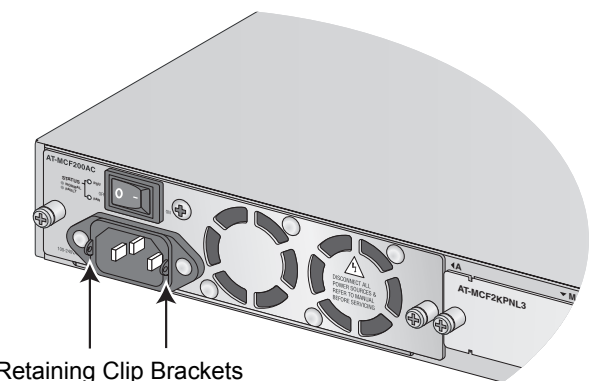


Figure 5. Locating the Retaining Clip Brackets

- Position the retaining clip as shown in Figure 6 and press the sides of the clip towards the center while inserting the short ends into the holes in the bracket.

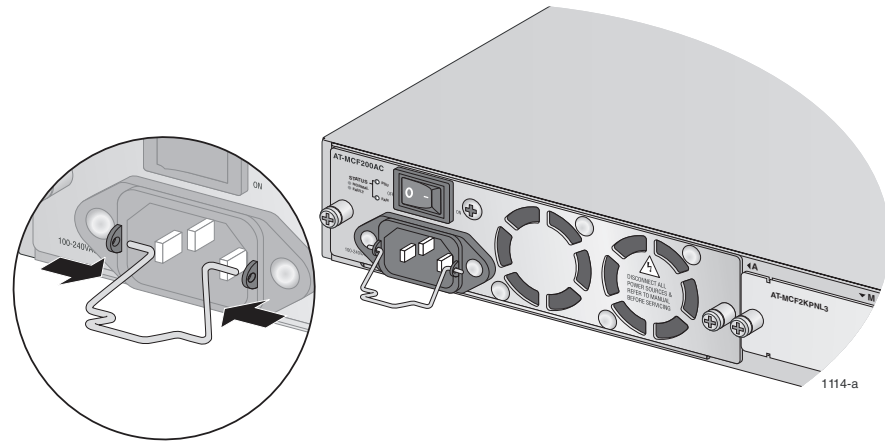


Figure 6. Installing the Retaining Clip

Note

If this is the initial installation of the chassis, refer to the chassis' Installation Guide for instructions on how to install the remaining modules in the unit. Otherwise, continue with this procedure to apply power to the power supply module.

- Verify that the power switch on the module is set to OFF.
- Plug the appropriate power cord for your region or country into the AC power connector on the back panel of the unit and plug the other end into an appropriate power source. Refer to "Technical Specifications" for the power requirements of the power supply.

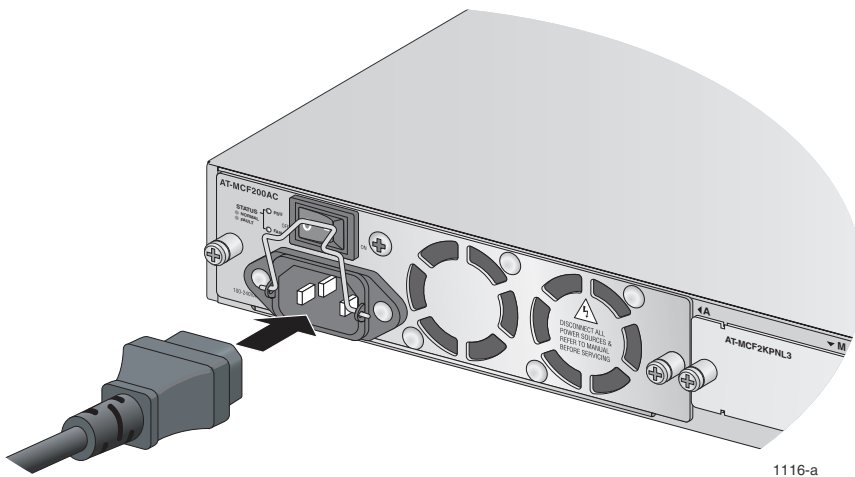


Figure 7. Connecting the AC Power Cord

- Lower the power cord retaining clip to secure the power cord to the chassis. Refer to Figure 8. This is to prevent the power cord from being inadvertently disconnected from the unit.

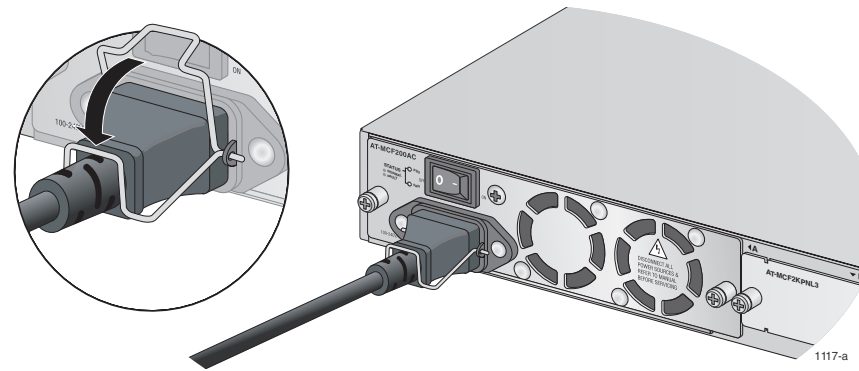


Figure 8. Positioning the Power Cord Retaining Clip

- Power on the AT-MCF2000AC module and the media converter chassis by setting the power switch to ON.

AT-MCF2000AC Power Supply Module LED

The power supply module has two LEDs. The states of the LEDs are defined in this table.

LED	State	Description
PSU	Off	The power supply in the module is not receiving power.
	Green	The power supply is operating normally.
	Amber	The power supply is experiencing a problem where the input or output voltage has fallen below or exceeded the normal operating range.
FAN	Green	The fans in the power supply module are operating normally.
	Amber	A fan has failed and stopped.

Troubleshooting the AT-MCF2000AC Power Supply Module

If you encounter a problem with the power supply module, try the following:

- View the LEDs on the module to determine whether the module is operating normally.
- Verify that the module is fully seated in the power supply/fan slot on the back panel of the chassis.
- Verify that the power cord is firmly connected to the power supply module and the power source.
- Verify that the power source is operating properly by plugging a different device into it.
- Replace the power supply module with another power supply module.

- Verify that the power from the power source is within the operating specifications of the power supply module. For the operating specifications of the power supply module, refer to "Technical Specifications."

Note

For additional assistance, contact Allied Telesis Technical Support on our web site at www.alliedtelesis.com.

Technical Specifications

Dimensions (H x W x D) (1.6 x 5.25 x 8.1 in.)	4.1 x 13.3 x 20.6 cm
Weight	1.26 kg (2.75 lb.)
Input Voltage	100-240 VAC 50/60 Hz
Output Voltage	12 volts and 3.3 volts
Operating Temperature:	0° C to 40° C (32° F to 104° F)
Storage Temperature:	-20° C to 70° C (- 4F to 158° F)
Operating Humidity:	Less than 80% noncondensing
Storage Humidity:	Less than 95% noncondensing
Maximum Operating Altitude:	3,048 m (10,000 ft)
Maximum Nonoperating Altitude:	4,000 m (13,000 ft)

Electrical Safety and Emission Statement

Standards: This product meets the following standards when installed in compliant host equipment.

U.S. Federal Communications Commission	
Radiated Energy Note: This equipment has been tested and found to comply with the limits for a Class A digital device pursuant to Part 15 of FCC Rules. These limits are designed to provide reasonable protection against harmful interference when the equipment is operated in a commercial environment. This equipment generates, uses, and can radiate radio frequency energy and, if not installed and used in accordance with this instruction manual, may cause harmful interference to radio communications. Operation of this equipment in a residential area is likely to cause harmful interference in which case the user will be required to correct the interference at his own expense. Note: Modifications or changes not expressly approved of by the manufacturer or the FCC, can void your right to operate this equipment.	
Industry Canada	
This Class A digital apparatus complies with Canadian ICES-003. Cet appareil numérique de la classe A est conforme à la norme NMB-003 du Canada.	

RFI Emissions	FCC Class A, EN55022 Class A, EN61000-3-2, EN61000-3-3, VCCI Class A, C-TICK, CE
WARNING:	In a domestic environment this product may cause radio interference in which case the user may be required to take adequate measures.
EMC (Immunity)	EN55024
Electrical Safety	EN60950-1 (TUV), UL 60950-1 (cULUS)

Free Manuals Download Website

<http://myh66.com>

<http://usermanuals.us>

<http://www.somanuals.com>

<http://www.4manuals.cc>

<http://www.manual-lib.com>

<http://www.404manual.com>

<http://www.luxmanual.com>

<http://aubethermostatmanual.com>

Golf course search by state

<http://golfingnear.com>

Email search by domain

<http://emailbydomain.com>

Auto manuals search

<http://auto.somanuals.com>

TV manuals search

<http://tv.somanuals.com>