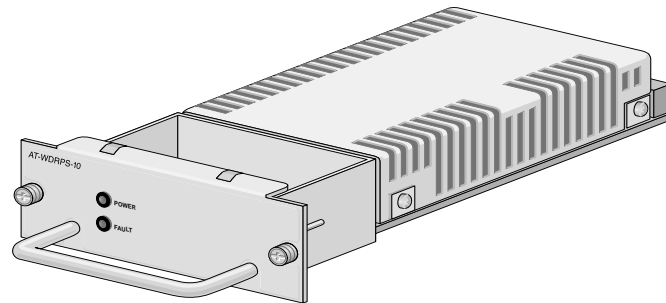

AT-WDRPS-10 Redundant Power Supply (AC) Installation Guide

Allied Telesyn, Inc.
960 Stewart Drive, Suite B
Sunnyvale, CA 94085 USA
Tel 1 (408) 730-0950 • Fax 1 (408) 736-0100
Visit our web site at: www.alliedtelesyn.com

Overview

The AT-WDRPS-10 is an AC Redundant Power Supply (RPS) for the AT-WD1008 Multiplexer chassis. When installed, the unit shares the load of powering the chassis with the standard power supply that comes pre-installed in the chassis. If a power supply fails, the remaining unit provides all power to the system, thereby preventing a network failure. The power supply is hot-swappable, meaning that you can install it while the chassis is powered ON.



Related Documents

The Allied Telesyn web site at www.alliedtelesyn.com provides you with an easy way to access the most recent documentation, software, and technical information for all of our products. For details on the features and functions of your Allied Telesyn AT-WD1008 chassis and modules, refer to the following manuals from our web site:

- AT-WD1008 Gigabit Ethernet Wavelength Division Multiplexer Installation Guide**
PN 613-50367-00
- AT-S47 Management Software User's Guide**
PN 613-50371-00

Package Contents

Make sure the following items are included in the shipping package. If any item is missing or damaged, contact your Allied Telesyn sales representative for assistance.

- One AT-WDRPS-10 Redundant Power Supply (AC) Module
- One AC Power Cord
- This installation guide
- Warranty card

Installing the AT-WDRPS-10 Power Supply



Caution

Before installing the module, refer to the *AT-WD1008 Installation Guide* for electrical safety and emission information.



Caution

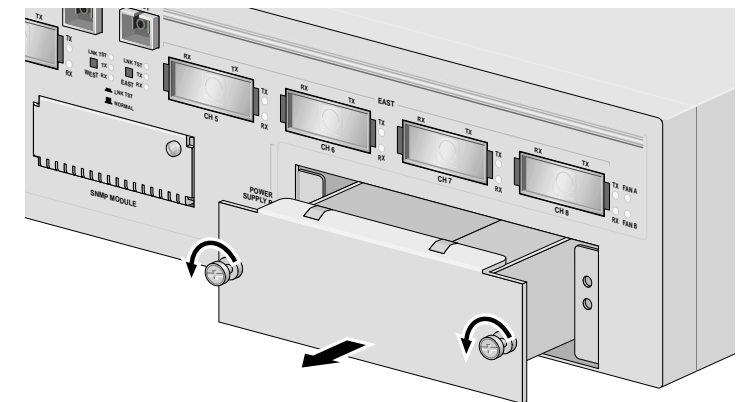
Do not install the AT-WDRPS-10 module in an AT-WD1008 chassis designed for DC power. An AC powered chassis has two AC power sockets on the back panel.

To install the AT-WDRPS-10, perform the following procedure:

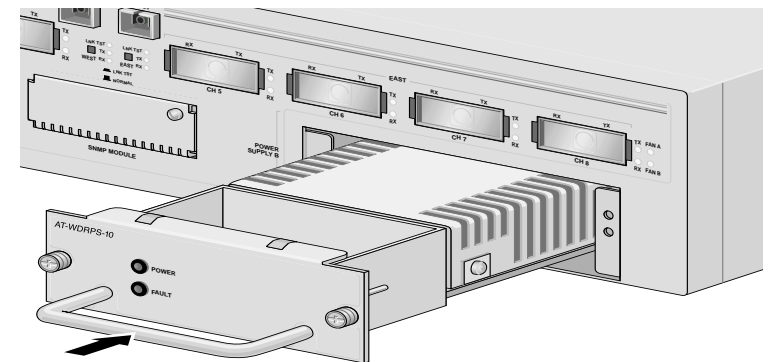
Note

The AT-WDRPS-10 unit can be installed while the multiplexer is powered ON. You do not need to power OFF the multiplexer to install the RPS.

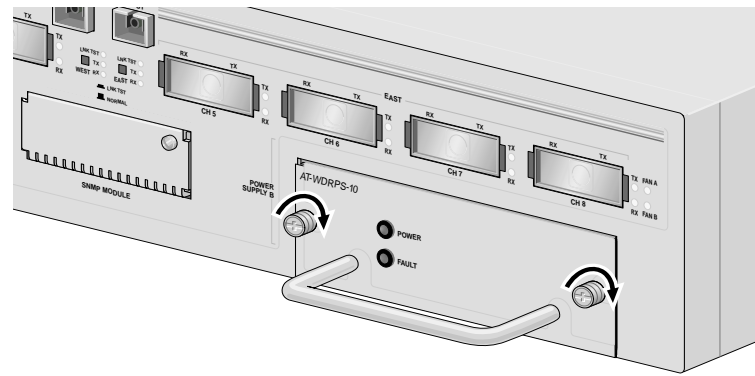
1. Loosen the two thumbscrews that secure the blank faceplate over the right-hand redundant power supply expansion slot located on the front panel of the AT-WD1008 Multiplexer and remove the cover.



2. Remove the AT-WDRPS-10 unit from its shipping package.
3. Slide the AT-WDRPS-10 unit into the RPS expansion slot.



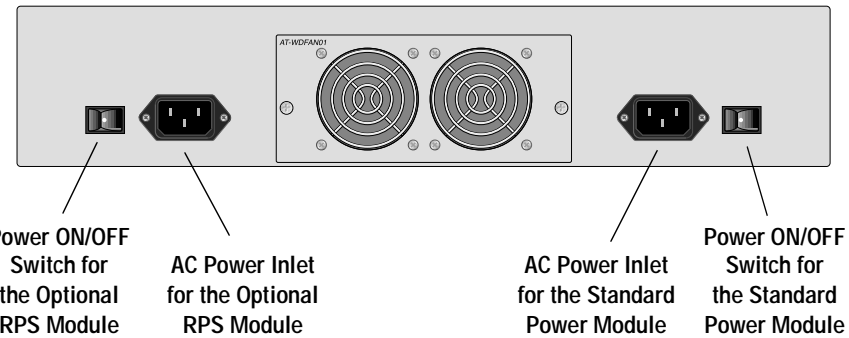
- Secure the AT-WDRPS-10 unit to the AT-WD1008 chassis by tightening the two thumbscrews.



Note

If you are installing the AT-WD1008 Multiplexer for the first time, refer to the *AT-WD1008 Installation Guide* for instructions on how to complete the installation.

- Connect the power cord to the RPS AC power connector, located in the back of the multiplexer, and the other end of the cord to an appropriate AC power source.



- Turn the RPS power switch to the ON position.
- Check that the POWER LED on the front of the RPS module is green. If the POWER LED is OFF or the FAULT LED is ON, refer to the *AT-WD1008 Installation Guide* for troubleshooting instructions.

Note

For added power protection to the multiplexer, the two AC power cords should be connected to power sources that are operating from different power circuits. This will protect the multiplexer from a power loss should one of the power circuits fail.

This completes the installation procedure for the AT-WDRPS-10 unit.

Technical Specifications

Electrical Rating

Input Voltage: 100 - 240 V AC, 3.2A maximum
 AC Input Frequency: 47-63 Hz
 Power Consumption: 75 watts maximum

Environment

Operating Temperature: 0° C to 40° C (32° F to 104° F)
 Storage Temperature: -25° C to 70° C (-13° F to 158° F)
 Operating Relative Humidity: 5% to 90% RH (non-condensing)
 Storage Relative Humidity: 5% to 95% RH (non-condensing)
 Operating Altitude Range: Up to 3,000 m (9,843 ft)

Electrical Safety and Emission Statement

Standards: This product meets the following standards when installed in compliant host equipment.

U.S. Federal Communications Commission


RADIATED ENERGY
 Note: This equipment has been tested and found to comply with the limits for a Class A digital device pursuant to Part 15 of FCC Rules. These limits are designed to provide reasonable protection against harmful interference when the equipment is operated in a commercial environment. This equipment generates, uses, and can radiate radio frequency energy and, if not installed and used in accordance with this instruction manual, may cause harmful interference to radio communications. Operation of this equipment in a residential area is likely to cause harmful interference in which case the user will be required to correct the interference at his own expense.

Note: Modifications or changes not expressly approved of by the manufacturer or the FCC, can void your right to operate this equipment.

Industry Canada

This Class A digital apparatus meets all requirements of the Canadian Interference-Causing Equipment Regulations.

Cet appareil numérique de la classe A respecte toutes les exigences du Règlement sur le matériel brouilleur du Canada.

Emission	FCC Class A, EN55022 Class A, VCCI Class A, EN6100-3-2, EN6100-3-3
WARNING:	In a domestic environment this product may cause radio interference in which case the user may be required to take adequate measures.
	
Immunity	EN55024
Electrical Safety	UL60950 (cULus), EN60950 (TUV)

Free Manuals Download Website

<http://myh66.com>

<http://usermanuals.us>

<http://www.somanuals.com>

<http://www.4manuals.cc>

<http://www.manual-lib.com>

<http://www.404manual.com>

<http://www.luxmanual.com>

<http://aubethermostatmanual.com>

Golf course search by state

<http://golfingnear.com>

Email search by domain

<http://emailbydomain.com>

Auto manuals search

<http://auto.somanuals.com>

TV manuals search

<http://tv.somanuals.com>