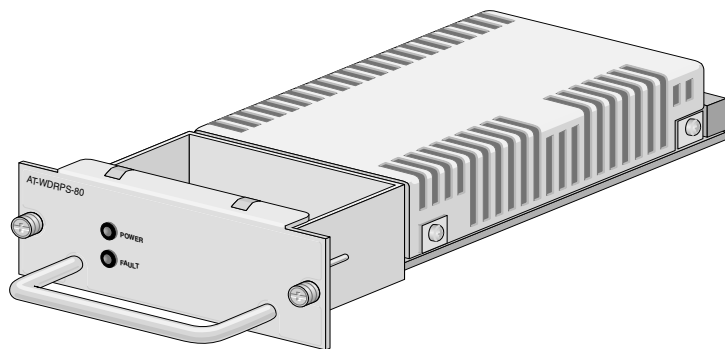


AT-WDRPS-80 Redundant Power Supply (DC) Installation Guide

Allied Telesyn, Inc.
960 Stewart Drive, Suite B
Sunnyvale, CA 94085 USA
Tel 1 (408) 730-0950 • Fax 1 (408) 736-0100
Visit our web site at: www.alliedtelesyn.com

Overview

The AT-WDRPS-80 is a DC Redundant Power Supply (RPS) for the AT-WD1008 Multiplexer chassis. When installed, the unit shares the load of powering the chassis with the standard power supply that comes pre-installed in the chassis. If a power supply fails, the remaining unit provides all power to the system, thereby preventing a network failure. The power supply is hot-swappable, meaning that you can install it while the chassis is powered ON.



Related Documents

The Allied Telesyn web site at www.alliedtelesyn.com contains the most recent documentation, software, and technical information for all of our products. For details on the features and functions of your Allied Telesyn AT-WD1008 chassis and modules, refer to the following manuals from our web site:

- AT-WD1008 Gigabit Ethernet Wavelength Division Multiplexer Installation Guide**
PN 613-50367-00
- AT-S47 Management Software User's Guide**
PN 613-50371-00

Package Contents

Make sure the following items are included in the shipping package. If any item is missing or damaged, contact your Allied Telesyn sales representative for assistance.

- One AT-WDRPS-80 Redundant Power Supply (DC) Module
- This installation guide
- Warranty card

Installing the AT-WDRPS-80 Power Supply



Caution

Before installing the module, refer to the *AT-WD1008 Installation Guide* for electrical safety and emission information.



Caution

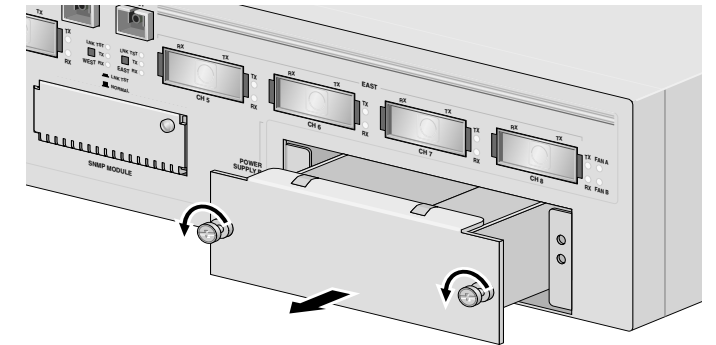
Do not install the AT-WDRPS-80 module in an AT-WD1008 chassis intended for AC power. A DC powered chassis has two DC terminal blocks on the back panel.

To install the AT-WDRPS-80, perform the following procedure:

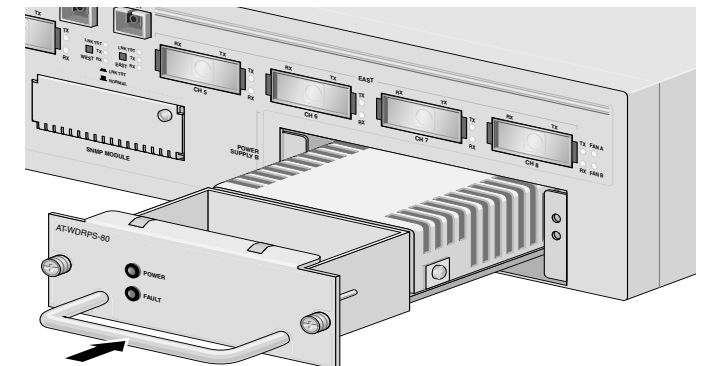
Note

The AT-WDRPS-80 unit can be installed while the multiplexer is powered ON. You do not need to power OFF the multiplexer to install the RPS.

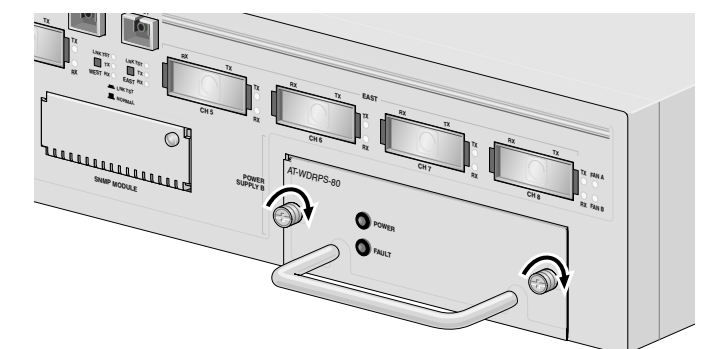
1. Loosen the two thumbscrews that secure the blank faceplate over the right-hand redundant power supply expansion slot located on the front panel of the AT-WD1008 Multiplexer and remove the cover.



2. Remove the AT-WDRPS-80 unit from its shipping package.
3. Slide the AT-WDRPS-80 unit into the RPS expansion slot.



4. Secure the AT-WDRPS-80 unit to the AT-WD1008 chassis by tightening the two thumbscrews.



Wiring the AT-WDRPS-80 Power Supply



Warning

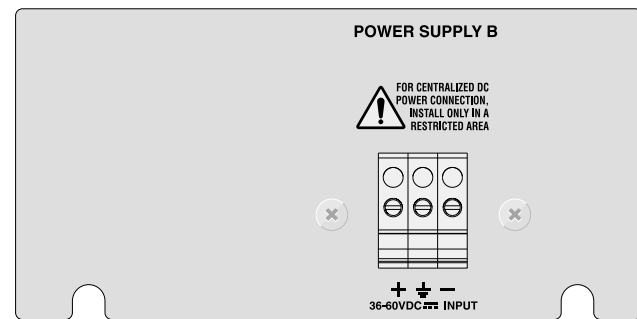
As a safety precaution, a 10 Amp circuit breaker should be installed at the supply end of the cable to be used with this LAN equipment.

ALWAYS connect the wiring to the LAN equipment first before connecting the wiring to the breaker. To avoid the danger of physical injury from electrical shock, do not work with HOT feeds. Always be sure that the breaker is in the OFF position before connecting the wiring to the breaker.

Note

A tray cable is required to connect the power source if the unit is powered by centralized DC power. The tray cable must be UL listed Type TC tray cable and rated at 600 V and 90 degree C, with three conductors, minimum 14 AWG.

1. On the rear side of the chassis is a DC terminal block labeled POWER SUPPLY B. Starting from the left side of the terminal block, identify the **positive**, **frame ground**, and **negative** terminals using either the diagram adjacent to the terminal block or the illustration here:

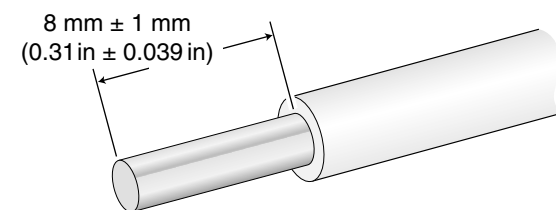


2. With a 14-gauge wire-stripping tool, strip the three wires in the tray cable coming from the DC input power source to 8 mm ± 1 mm (0.31 in ± 0.039 in).



Warning

Do not strip more than the recommended amount of wire. Stripping more than the recommended amount can create a safety hazard by leaving exposed wire on the terminal block after installation.

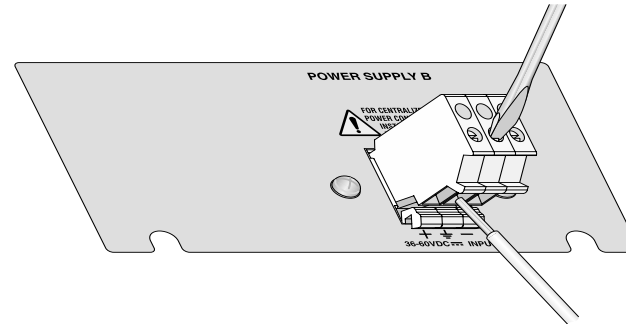


3. Connect the frame ground wire to the terminal marked with the ground symbol by inserting the wire into the terminal and tightening the connection with a flathead screwdriver.



Warning

When installing this equipment, always ensure that the frame ground connection is installed first and disconnected last.



4. Connect the **positive** feed wire to the terminal block marked (+).
5. Connect the **negative** feed wire to the terminal block marked (-).



Warning

"Safety Hazard"- Check to see if there are any exposed copper strands coming from the installed wires. When this installation is done correctly there should be no exposed copper wire strands extending from the terminal block. Any exposed wiring can conduct harmful levels of electricity to persons touching the wires.

6. Secure the tray supply cable near the rack framework using multiple cable ties to minimize the chance of the connections being disturbed by casual contact with the wiring. Use at least four cable ties separated four inches apart with the first one located within six inches of the terminal block.

Note

This system will work with a positive grounded or negative grounded DC system.

Technical Specifications

Electrical Rating

Input Voltage	36-60 V DC, 7.9A maximum
Power Consumption	75 watts maximum

Environment

Operating Temperature:	0° C to 40° C (32° F to 104° F)
Storage Temperature:	-25° C to 70° C (-13° F to 158° F)
Operating Relative Humidity:	5% to 90% RH (non-condensing)
Storage Relative Humidity:	5% to 95% RH (non-condensing)
Operating Altitude Range:	Up to 3,000 m (9,843 ft)

Electrical Safety and Emission Statement

Standards: This product meets the following standards when installed in compliant host equipment.

U.S. Federal Communications Commission

RADIATED ENERGY

Note: This equipment has been tested and found to comply with the limits for a Class A digital device pursuant to Part 15 of FCC Rules. These limits are designed to provide reasonable protection against harmful interference when the equipment is operated in a commercial environment. This equipment generates, uses, and can radiate radio frequency energy and, if not installed and used in accordance with this instruction manual, may cause harmful interference to radio communications. Operation of this equipment in a residential area is likely to cause harmful interference in which case the user will be required to correct the interference at his own expense.

Note: Modifications or changes not expressly approved of by the manufacturer or the FCC, can void your right to operate this equipment.

Industry Canada

This Class A digital apparatus meets all requirements of the Canadian Interference-Causing Equipment Regulations.

Cet appareil numérique de la classe A respecte toutes les exigences du Règlement sur le matériel brouilleur du Canada.

Emission FCC Class A, EN55022 Class A, VCCI Class A

WARNING: In a domestic environment this product may cause radio interference in which case the user may be required to take adequate measures.



Immunity EN50082-1

Electrical Safety UL60950 (cULus), EN60950 (TUV)

Free Manuals Download Website

<http://myh66.com>

<http://usermanuals.us>

<http://www.somanuals.com>

<http://www.4manuals.cc>

<http://www.manual-lib.com>

<http://www.404manual.com>

<http://www.luxmanual.com>

<http://aubethermostatmanual.com>

Golf course search by state

<http://golfingnear.com>

Email search by domain

<http://emailbydomain.com>

Auto manuals search

<http://auto.somanuals.com>

TV manuals search

<http://tv.somanuals.com>