



KTP-445U

Head Unit Power Pack

- **OWNER'S MANUAL**
Please read this manual to maximize your enjoyment of the outstanding performance and feature capabilities of the equipment, then retain the manual for future reference.
- **MODE D'EMPLOI**
Veuillez lire ce mode d'emploi pour tirer pleinement profit des excellentes performances et fonctions de cet appareil, et conservez-le pour toute référence future.
- **MANUAL DE OPERACION**
Lea este manual, por favor, para disfrutar al máximo de las excepcionales prestaciones y posibilidades funcionales que ofrece el equipo, luego guarde el manual para usarlo como referencia en el futuro.

ALPINE ELECTRONICS MARKETING, INC.
1-1-8 Nishi Gotanda,
Shinagawa-ku,
Tokyo 141-0031, Japan
Phone 03-5496-8231

ALPINE ELECTRONICS OF AMERICA, INC.
19145 Gramercy Place, Torrance,
California 90501, U.S.A.
Phone 1-800-ALPINE-1 (1-800-257-4631)

ALPINE ELECTRONICS OF CANADA, INC.
777 Supertest Road, Toronto,
Ontario M3J 2M9, Canada
Phone 1-800-ALPINE-1 (1-800-257-4631)

ALPINE ELECTRONICS OF AUSTRALIA PTY. LTD.
161-165 Princes Highway, Hallam
Victoria 3803, Australia
Phone 03-8787-1200

ALPINE ELECTRONICS GmbH
Wilhelm-Wagenfeld-Str. 1-3,
80807 München, Germany
Phone 089-32 42 640

ALPINE ELECTRONICS OF U.K. LTD.
Alpine House
Fletchamstead Highway,
Coventry CV4 9TW, U.K.
Phone 0870-33 33 763

ALPINE ELECTRONICS FRANCE S.A.R.L.
(RCS PONTOISE B 338 101 280)
98, Rue de la Belle Etoile,
Z.I. Paris Nord II, B.P. 50016,
95945 Roissy Charles de Gaulle
Cedex, France
Phone 01-48638989

ALPINE ITALIA S.p.A.
Viale C. Colombo 8, 20090
Trezzano Sul Naviglio (MI), Italy
Phone 02-484781

ALPINE ELECTRONICS DE ESPAÑA, S.A.
Portal de Gamarra 36,
Pabellón, 32
01013 Vitoria (Alava) - APDO
133, Spain
Phone 945-283588

ALPINE ELECTRONICS (BENELUX) GmbH
Leuvensesteenweg 510-B6,
1930 Zaventem, Belgium
Phone 02-725-13 15



ENGLISH

Introduction:

Please read this OWNER'S MANUAL thoroughly to familiarize yourself with each control and function. We at ALPINE hope that your new KTP-445U will give you many years of listening enjoyment.

In case of problems when installing your KTP-445U, please contact your authorized ALPINE dealer.

CAUTION: These controls are for tuning your system. Please consult your authorized Dealer for adjustment.

 WARNING	This symbol means important instructions. Failure to heed them can result in serious injury or death.
 CAUTION	This symbol means important instructions. Failure to heed them can result in injury or property damages.

WARNING

- **DO NOT OPERATE ANY FUNCTION THAT TAKES YOUR ATTENTION AWAY FROM SAFELY DRIVING YOUR VEHICLE.** Any function that requires your prolonged attention should only be performed after coming to a complete stop. Always stop the vehicle in a safe location before performing these functions. Failure to do so may result in an accident.
- **KEEP THE VOLUME AT A LEVEL WHERE YOU CAN STILL HEAR OUTSIDE NOISES WHILE DRIVING.** Excessive volume levels that obscure sounds such as emergency vehicle sirens or road warning signals (train crossings, etc.) can be dangerous and may result in an accident. LISTENING AT LOUD VOLUME LEVELS IN A CAR MAY ALSO CAUSE HEARING DAMAGE.
- **DO NOT DISASSEMBLE OR ALTER.** Doing so may result in an accident, fire or electric shock.
- **USE THIS PRODUCT FOR MOBILE 12V APPLICATIONS.** Use for other than its designed application may result in fire, electric shock or other injury.
- **USE THE CORRECT AMPERE RATING WHEN REPLACING FUSES.** Failure to do so may result in fire or electric shock.
- **DO NOT BLOCK VENTS OR RADIATOR PANELS.** Doing so may cause heat to build up inside and may result in fire.
- **MAKE THE CORRECT CONNECTIONS.** Failure to make the proper connections may result in fire or product damage.
- **USE ONLY IN CARS WITH A 12 VOLT NEGATIVE GROUND.** (Check with your dealer if you are not sure.) Failure to do so may result in fire, etc.
- **BEFORE WIRING, DISCONNECT THE CABLE FROM THE NEGATIVE BATTERY TERMINAL.** Failure to do so may result in electric shock or injury due to electrical shorts.
- **DO NOT ALLOW CABLES TO BECOME ENTANGLED IN SURROUNDING OBJECTS.** Arrange wiring and cables in compliance with the manual to prevent obstructions when driving. Cables or wiring that obstruct or hang up on places such as the steering wheel, gear lever, brake pedals, etc. can be extremely hazardous.
- **DO NOT SPLICE INTO ELECTRICAL CABLES.** Never cut away cable insulation to supply power to other equipment. Doing so will exceed the current carrying capacity of the wire and result in fire or electric shock.
- **DO NOT DAMAGE PIPE OR WIRING WHEN DRILLING HOLES.** When drilling holes in the chassis for installation, take precautions so as not to contact, damage or obstruct pipes, fuel lines, tanks or electrical wiring. Failure to take such precautions may result in fire.
- **DO NOT USE BOLTS OR NUTS IN THE BRAKE OR STEERING SYSTEMS TO MAKE GROUND CONNECTIONS.** Bolts or nuts used for the brake or steering systems (or any other safety-related system), or tanks should NEVER be used for installations or ground connections. Using such parts could disable control of the vehicle and cause fire etc.
- **KEEP SMALL OBJECTS SUCH AS BOLTS OR SCREWS OUT OF THE REACH OF CHILDREN.** Swallowing them may result in serious injury. If swallowed, consult a physician immediately.

CAUTION

- **HALT USE IMMEDIATELY IF A PROBLEM APPEARS.** Failure to do so may cause personal injury or damage to the product. Return it to your authorized Alpine dealer or the nearest Alpine Service Center for repairing.
- **HAVE THE WIRING AND INSTALLATION DONE BY EXPERTS.** The wiring and installation of this unit requires special technical skill and experience. To ensure safety, always contact the dealer where you purchased this product to have the work done.
- **USE SPECIFIED ACCESSORY PARTS AND INSTALL THEM SECURELY.** Be sure to use only the specified accessory parts. Use of other than designated parts may damage this unit internally or may not securely install the unit in place. This may cause parts to become loose resulting in hazards or product failure.
- **ARRANGE THE WIRING SO IT IS NOT CRIMPED OR PINCHED BY A SHARP METAL EDGE.** Route the cables and wiring away from moving parts (like the seat rails) or sharp or pointed edges. This will prevent crimping and damage to the wiring. If wiring passes through a hole in metal, use a rubber grommet to prevent the wire's insulation from being cut by the metal edge of the hole.
- **DO NOT INSTALL IN LOCATIONS WITH HIGH MOISTURE OR DUST.** Avoid installing the unit in locations with high incidence of moisture or dust. Moisture or dust that penetrates into this unit may result in product failure.

SERVICE CARE

◆ IMPORTANT NOTICE

This Amplifier has been type tested and found to comply with the limits for a Class B computing device in accordance with the specifications in Subpart J of Part 15 of FCC Rules. This equipment generates and uses radio frequency energy, and it must be installed and used properly in accordance with the manufacturer's instructions.

◆ For European Customers

Should you have any questions about warranty, please consult your store of purchase.

◆ For Customers in other Countries IMPORTANT NOTICE

Customers who purchase the product with which this notice is packaged, and who make this purchase in countries other than the United States of America and Canada, please contact your dealer for information regarding warranty coverage.

SERIAL NUMBER: _____
INSTALLATION DATE: _____
INSTALLATION TECHNICIAN: _____
PLACE OF PURCHASE: _____

◆ IMPORTANT

Please record the serial number of your unit in the space provided here and keep it as a permanent record. The serial number plate is located on the rear of the unit.

SPECIFICATIONS

		KTP-445U
Power Output	Per Channel, Ref: 14.4V, 4ohms, @ < 1% THD+N	45W RMS x 4
	Per Channel, Ref: 14.4V, 2ohms, @ < 1% THD+N	45W RMS x 4
S/N Ratio	IHF A-wtd + AES-17, Ref: 1 W into 4 ohms	82dB
	IHF A-wtd + AES-17, Ref: Rated Power into 4 ohms	98dB
Frequency Response	+0 / -3 dB, Ref: 1 W into 4 ohms	15Hz - 45kHz
Input Impedance		> 10k ohms
Input Sensitivity	Ref: Rated Power into 4 ohms, RCA Inputs	0,2 - 4,0 V
	Ref: Rated Power into 4 ohms, Speaker Level Inputs	0,5 - 10,0 V
Crossover	Ch 1 / 2: Selectable HPF (-12 dB/oct.), defeatable	Off/60/80/120Hz
	Ch 3 / 4: Selectable HPF (-12 dB/oct.), defeatable	Off/60/80/120Hz
Dimensions	Width	189,0mm (7-7/16")
	Height	38,2mm (1-1/2")
	Depth	64,5mm (2-1/2")
Weight		0,8kg (1,5lbs)

NOTE:

- For product improvement, specifications and design are subject to change without notice.

ACCESSORIES

• Mounting Bracket.....	2
• Self-Tapping Screw (M4 x 12).....	4
• Cable Tie.....	2
• Input Wire Harness.....	1
• Output/Power Wire Harness.....	1

INSTALLATION (Fig. 1 and Fig. 2)

With this amplifier, there are two options for installation. Depending on which is best for your target location, refer to instructions A or B below.

⚠ CAUTION

◆ Caution on connection terminals/parts

- Keep electrically conductive objects away from the unit's terminals/parts (power terminals, fuses, speaker output terminals, RCA connectors, etc.). Doing so prevents a possible short circuit and damage to the unit.

A. Installation with mounting brackets

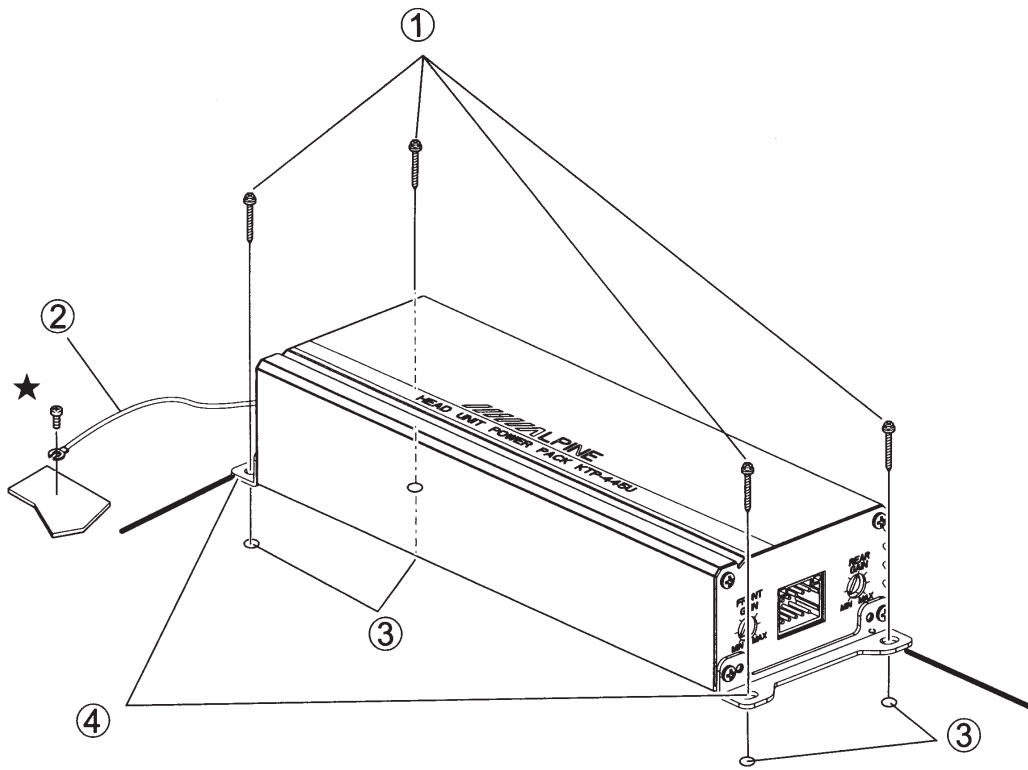
1. Remove the two bottom screws on each end panel.
2. Use these screws to attach the included mounting brackets.
3. Using the amplifier as a template, mark the four screw locations.
4. Make sure there are no objects behind the surface that may become damaged during drilling.
5. Drill the screw holes.
6. Position the KTP-445U over the screw holes, and secure with four self-tapping screws.
7. Position the unit over the screw holes you prepared earlier.
8. Fasten the unit down with the four self-tapping screws (M4 x 12). Refer to Fig. 1.

B. Installation with chassis mounting loops

1. Push each of the included cable ties through the two mounting loops near each end on the bottom panel.
2. Use the cable ties to securely attach the amplifier to the vehicle's frame or chassis. Refer to Fig. 2.

NOTE:

- To securely connect the ground lead, use an already installed screw on the metal part of the vehicle (marked ★). Be sure this is a good ground by checking continuity to the battery (-) terminal. As much as possible connect all equipment to the same ground point. These procedures will help eliminate noise.

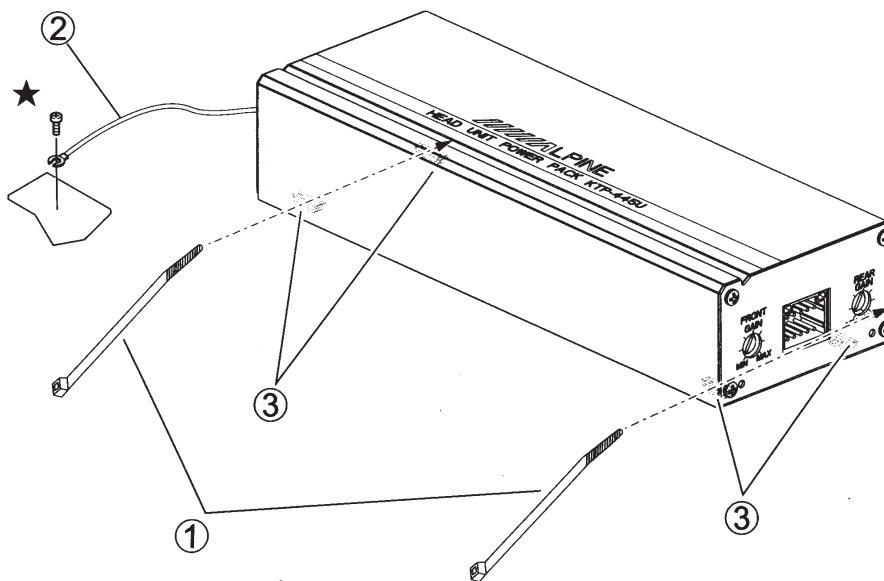


① Self-Tapping Screw
(M4 x 12)
Vis auto-taraudées/
Tornillos
autorroscantess

② Ground Lead/
Conducteur de mise
à la terre/ Cable de
tierra

③ Hole/
Trous/Agujeros/
④ Mounting Bracket/
Support/ Consola
de montaje

Fig. 1

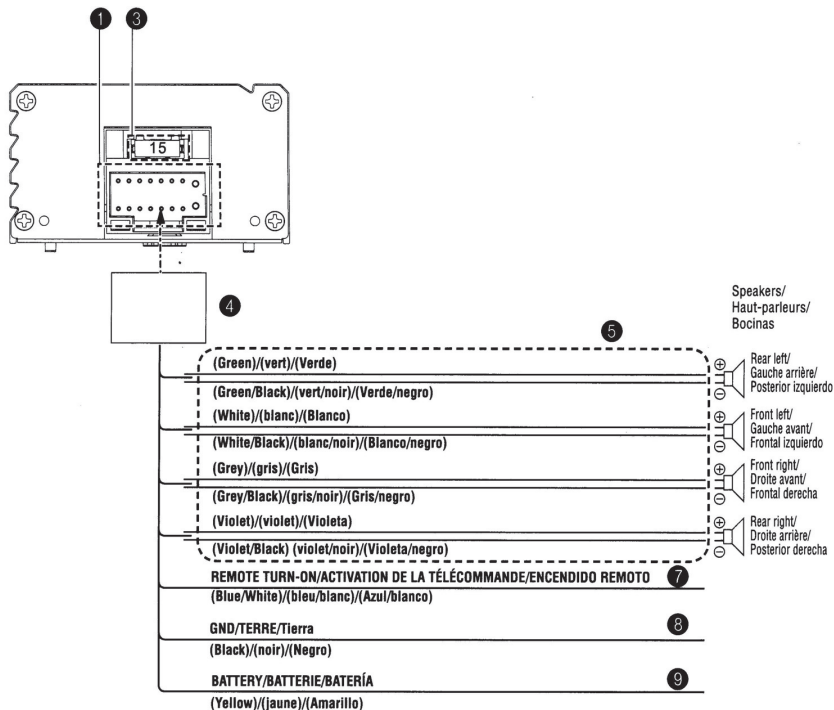


① Cable Tie/
Serre-câble/
Atadura de cables

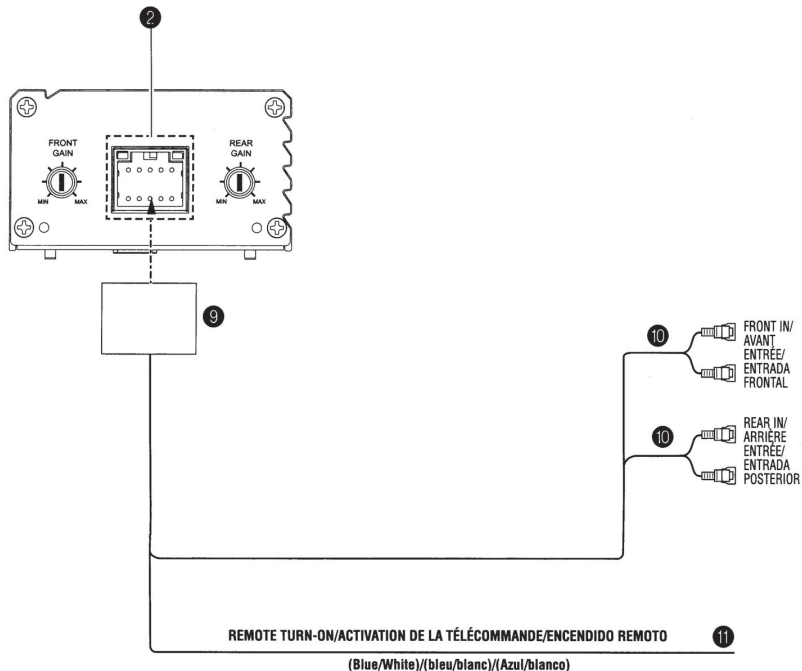
② Ground Lead/
Conducteur de mise
à la terre/
Cable de tierra

③ Mounting Loop/
Boucle de support/
Lazo del montaje

Fig. 2



KTP-445U Left end panel/Le panneau de gauche/panel de la izquierda Fig. 3



KTP-445U Right end panel/panneau de droite/panel de la derecha Fig. 4

CONNECTIONS (Fig. 3 and Fig. 4)

Before making connections, be sure to turn the power off to all audio components. Connect the yellow battery lead from the amp directly to the positive (+) terminal of the vehicle's battery. Do not connect this lead to the fuse block.

CAUTION

Caution on connection terminals/parts

- Keep electrically conductive objects away from the unit's terminals/parts (power terminals, fuses, speaker output terminals, RCA connectors, etc.). Doing so prevents a possible short circuit and damage to the unit.

To prevent external noise from entering the audio system.

- Locate the unit and route the leads at least 10 cm (3-15/16") away from the car harness.
- Keep the battery power leads as far away from other leads as possible.
- Connect the ground lead securely to a bare metal spot (remove any paint or grease if necessary) of the car chassis.
- Your Alpine dealer knows best about noise prevention measures so consult your dealer for further information.

1 Output/Power Connector

2 Input Connector

3 Fuse (15A X 1)

USE ONLY THE CORRECT AMPERE RATING WHEN REPLACING FUSES.

Failure to do so may result in fire or electric shock.

4 Output/Power Wire Harness

5 Speaker Output Wires

Referring to "Cautions on speaker wire connections," connect each speaker output wire to the correct corresponding speaker wire on the vehicle side.

Note:

- Do not connect speaker leads together or to chassis ground.

6 Battery Lead (Yellow)

There are two options:

- Connect battery lead to OEM radio fused circuit
The OEM radio circuit has a fuse to protect your vehicle's electrical system in case of a short circuit. Do not connect the battery lead to the OEM radio circuit if the fuse rating is less than 15A.
- Connect battery lead directly to BATT +
Be sure to add a 15A fuse (sold separately) as close as possible to the battery's (+) terminal.

7 Remote Out Lead (Blue/White)

Use this lead to turn on additional amplifiers.

Note:

- This is a pass through Remote Turn-On signal from the head unit.

8 Ground Lead (Black)

Connect this lead securely to a clean, bare metal spot on the vehicle's chassis. Verify this point to be a true ground by checking for continuity between that point and the negative (-) terminal of the vehicle's battery. Ground all your audio components to the same point on the chassis to prevent ground loops.

9 Input Wire Harness

10 Input Signal Wires

There are two options:

- RCA Input Jacks (FRONT=Violet sleeve, REAR=Grey sleeve)

Connect these jacks to the line out leads on your head unit using RCA extension cables (sold separately).

- Speaker Level Inputs

Cut off the RCA jacks, then connect the correct corresponding speaker outputs from the head unit directly to these twisted pair wires.

Note:

- For the "Speaker Level Input System" setting, connecting the Remote Turn-On Lead is not required due to the "REMOTE SENSING" function of this product. However, the "REMOTE SENSING" function may not work depending on the signal source connected. In such a case, connect the Remote Turn-On Lead to an incoming power supply wire (accessory power) in the ACC position.

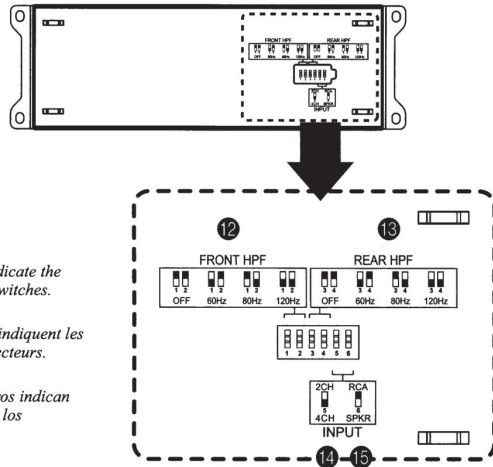
11 Remote Turn-On Lead (Blue/White)

Connect this lead to the remote turn-on or power antenna (positive trigger, (+) 12V only) lead of your head unit.

Note:

- See connection check list in Fig. 7. for more details.

SWITCH SETTINGS (Fig. 5 and Fig. 6)



Note:

- Black squares indicate the positions of the switches.

Remarque :

- Les carrés noirs indiquent les positions des sélecteurs.

Nota:

- Los cuadros negros indican las posiciones de los interruptores.

KTP-445U Bottom panel/panneau inférieur/Panel inferior

Fig. 5

Note:

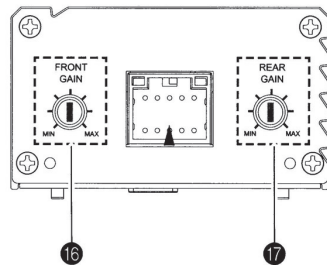
- When using speaker level inputs, both front and rear gain controls should be between minimum and 9 o'clock position for typical head unit volume

Remarque :

- Si des entrées du niveau de haut-parleur sont utilisées, les contrôles du gain avant et arrière doivent être entre les positions minimales et 9 heures pour la gamme de volume typique de l'unité principale.

Nota:

- Al usar entradas a nivel de bocina, ambos controles de ganancia deberán estar entre una posición mínima y la posición de las 9 en punto para lograr una gama de volumen típica del amplificador principal.



KTP-445U Right end panel/panneau de droite/panel de la derecha

Fig. 6

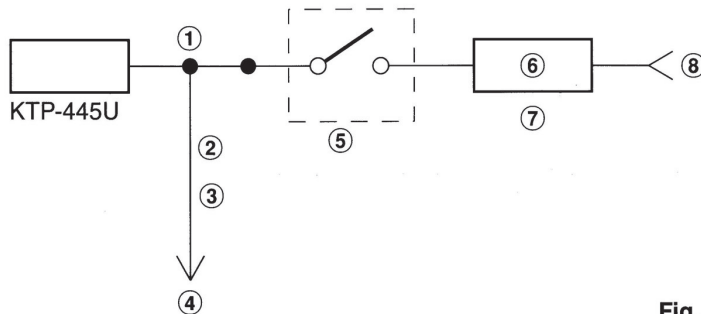


Fig. 7

12, 13 High Pass Filter Frequency Selector Switches



- Slide switches 1 and 2 to the up position to turn off HP filter on front or rear channels [DEFAULT setting]
- Slide switch 1 to the down position and switch 2 to the up position to set the cutoff frequency to 60Hz on front or rear channels
- Slide switch 1 to the up position and switch 2 to the down position to set the cutoff frequency to 80Hz on front or rear channels.
- Slide switches 1 and 2 to the down position to set the cutoff frequency to 120Hz on front or rear channels

14 Input Configuration Switch



- Slide switch to the down position for 4 channel input [DEFAULT setting]
- Slide switch to the up position for 2 channel input

Note:

- Input Configuration Switch should be in the up position for 2 CH bridged output system.

15 Input Signal Type Switch



- Slide switch to the up position for RCA input signals [DEFAULT setting]
- Slide switch to the down position for speaker level input signals

16, 17 Input Gain Adjustment Control

Set the KTP-445U input gain to the minimum position. Using a dynamic CD as a source, increase the head unit volume until the output distorts. Then, reduce the volume 1 step (or until the output is no longer distorted). Now, increase the amplifier gain until the sound from the speakers become distorted. Reduce the gain slightly so the sound is no longer distorted to achieve the optimum gain setting.

CONNECTION CHECKLIST (Fig. 7)

Please check your head unit for the conditions listed below: (Fig. 7)

- The head unit does not have a remote turn-on or power antenna lead.
- The head unit's power antenna lead is activated only when the radio is on (turns off in the tape or CD Mode).
- The head unit's power antenna lead is logic level output (+) 5V, negative trigger (grounding type), or cannot sustain (+) 12V when connected to other equipment in addition to the vehicle's power antenna. If any of the above conditions exist, the remote turn-on lead of your KTP-445U must be connected to a switched power source (ignition) in the vehicle. Be sure to use a 3A fuse as close as possible to this ignition tap. Using this connection method, the KTP-445U will turn on and stay on as long as the ignition switch is on.

If this is objectionable, a SPST (Single Pole, Single Throw) switch, in addition to the 3A fuse mentioned above, may be installed in-line on the KTP-445U turn-on lead. This switch will then be used to turn on (and off) the KTP-445U. Therefore, the switch should be mounted so that is accessible by the driver. Make sure the switch is turned off when the vehicle is not running. Otherwise, the amplifier will remain on and drain the battery.

- Blue/White
- Power Antenna
- Remote Turn-On Lead
- To other Alpine components' Remote Turn-On Leads
- SPST Switch (optional)
- Fuse (3A)
- As close as possible to the vehicle's ignition tap
- Ignition Source

TYPICAL SYSTEM CONNECTIONS/CONNEXIONS TYPIQUES DU SYSTEME/CONEXIONES TIPICAS DEL SISTEMA

[English]

- ① Front Left Speaker (sold separately)
- ② Front Right Speaker (sold separately)
- ③ Rear Left Speaker (sold separately)
- ④ Rear Right Speaker (sold separately)
- ⑤ RCA Extension Cable (sold separately)
- ⑥ Head Unit Speaker Connector
- ⑦ CD Head Unit
- ⑧ RCA to Mini Jack Cable (sold separately)
- ⑨ MP3 Player

[Français]

- ① Haut-parleur avant gauche (vendu séparément)
- ② Haut-parleur avant droit (vendu séparément)
- ③ Haut-parleur arrière gauche (vendu séparément)
- ④ Haut-parleur arrière droit (vendu séparément)
- ⑤ Câble d'extension RCA (vendu séparément)
- ⑥ Connecteur du haut-parleur de l'unité principale
- ⑦ Unité principale CD
- ⑧ Câble pour connecter RCA aux mini-prises (vendu séparément)
- ⑨ Lecteur MP3

[Español]

- ① Altavoz delantero izquierdo (vendido separadamente)
- ② Altavoz delantero derecho (vendido separadamente)
- ③ Altavoz trasero izquierdo (vendido separadamente)
- ④ Altavoz trasero derecho (vendido separadamente)
- ⑤ Cable de extensión RCA (se vende por separado)
- ⑥ Conector de bocinas de amplificador principal
- ⑦ Amplificador principal de CD
- ⑧ Cable RCA a miniconector (se vende por separado)
- ⑨ Reproductor MP3

RCA Input System/Système d'entrée RCA/Sistema de entrada RCA

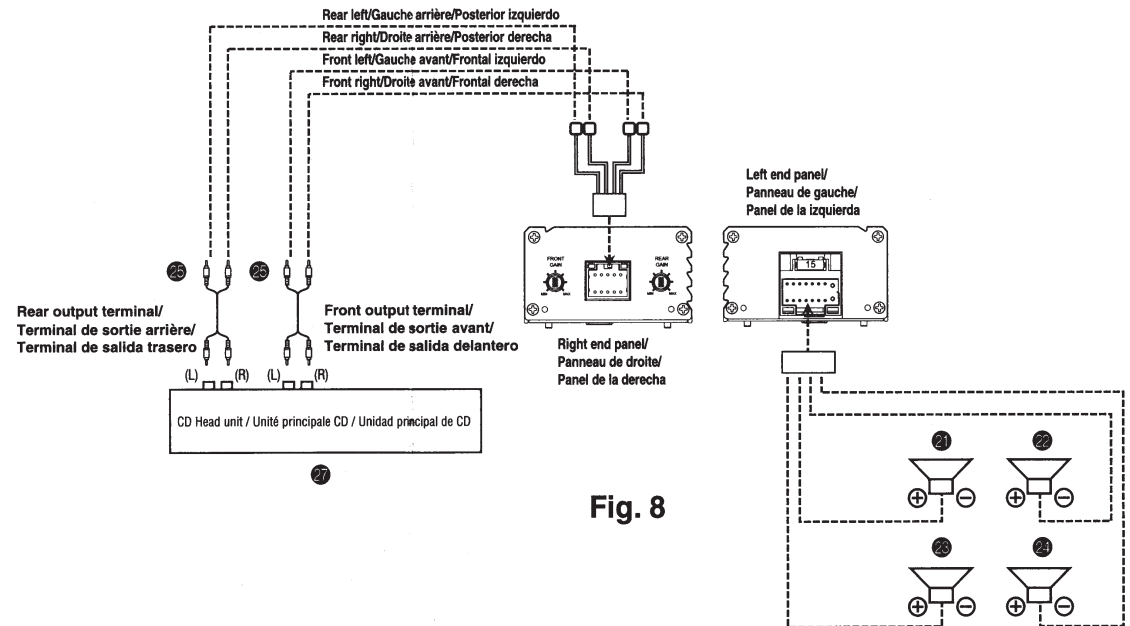


Fig. 8

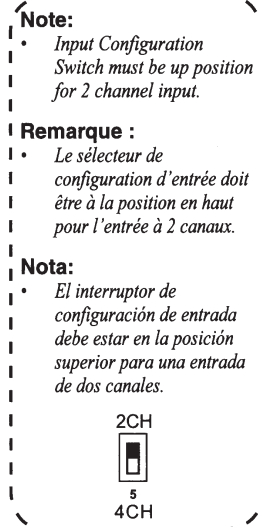


Fig. 9

Speaker Level Input/Système d'entrée de niveau de haut-parleur/Sistema de entrada a nivel de bocina

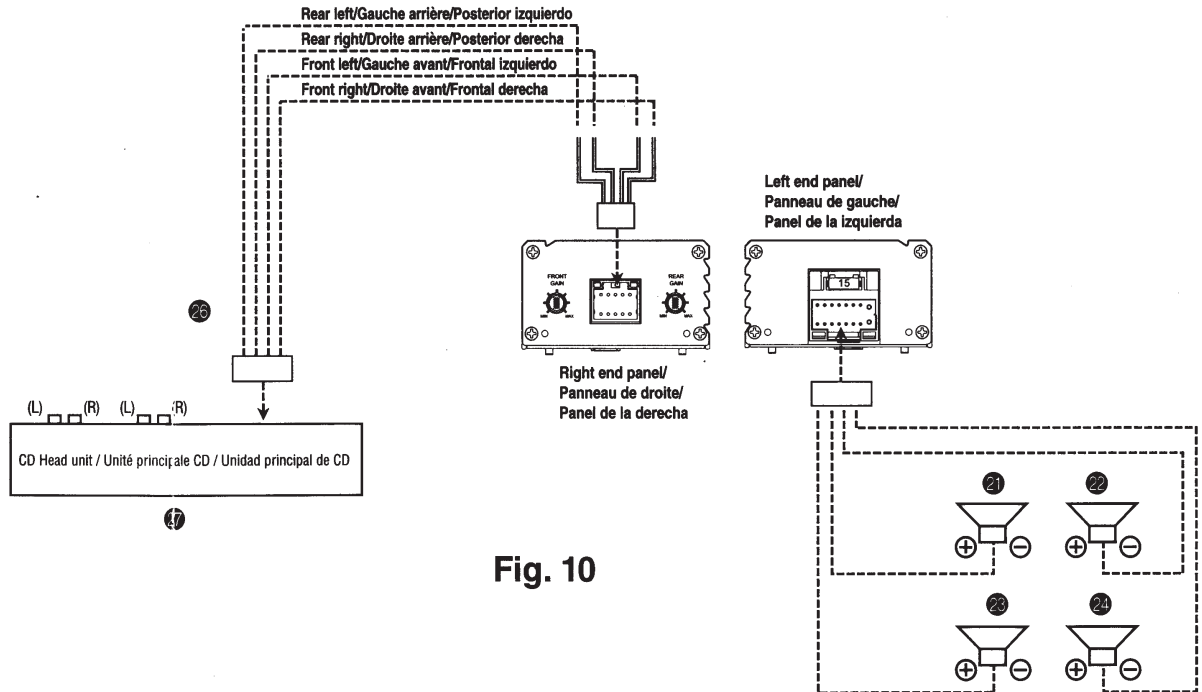


Fig. 10

Note:

- Input Configuration Switch must be up position for 2 channel input.

Remarque :

- Le sélecteur de configuration d'entrée doit être à la position en haut pour l'entrée à 2 canaux.

Nota:

- El interruptor de configuración de entrada debe estar en la posición superior para una entrada de dos canales.

2CH
5
4CH

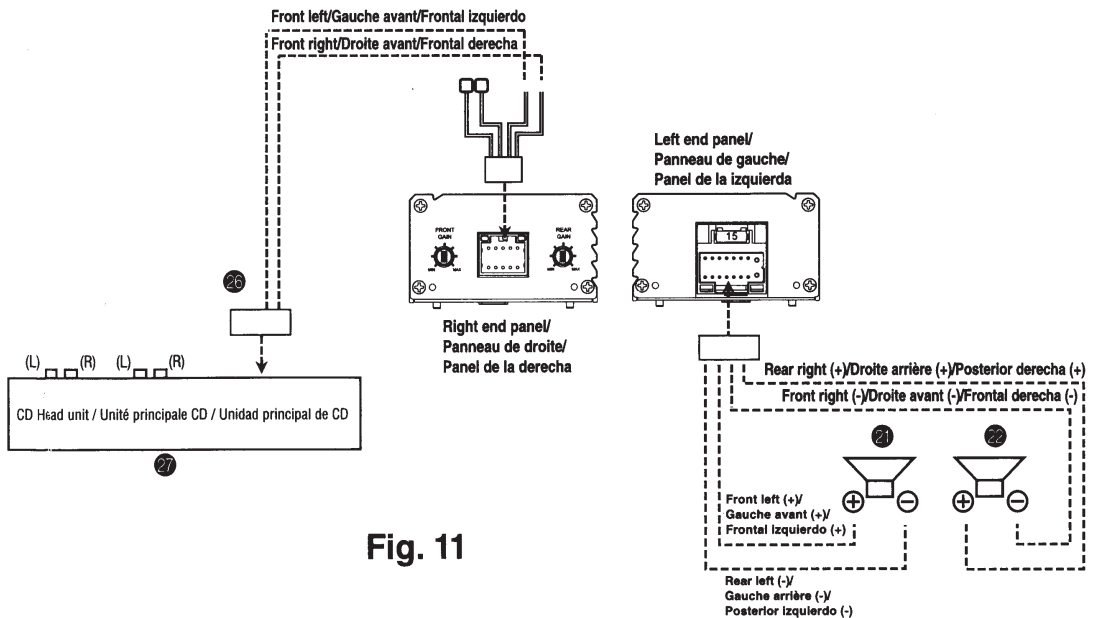


Fig. 11

Note:

- Cut off the RCA jacks and connect the head unit speaker wires directly to the KTP-445U input wires.

Remarque :

- Découpez les prises RCA et connectez les câbles de haut-parleur de l'unité principale directement aux câbles d'entrée de la KTP-445U.

Nota:

- Desconecte los conectores RCA y conecte los cables de bocina del amplificador principal directamente a los cables de entrada del KTP-445U.

Stand Alone System/Système autonome/Sistema autónomo

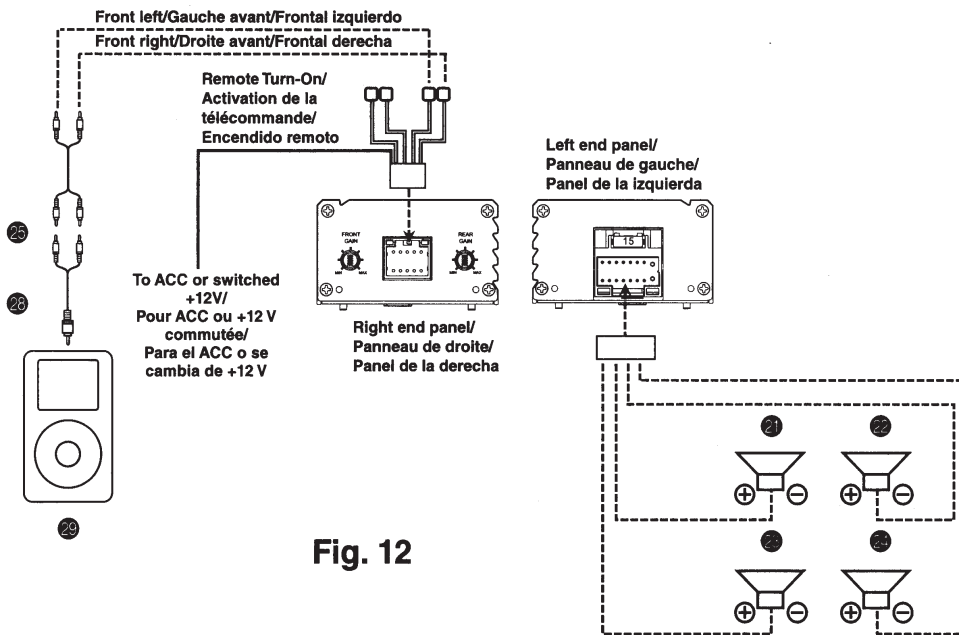


Fig. 12

Note:

- *Input Configuration Switch must be up position for 2 channel input.*

Remarque :

- *Le sélecteur de configuration d'entrée doit être à la position en haut pour l'entrée à 2 canaux.*

Nota:

- *El interruptor de configuración de entrada debe estar en la posición superior para una entrada de dos canales.*

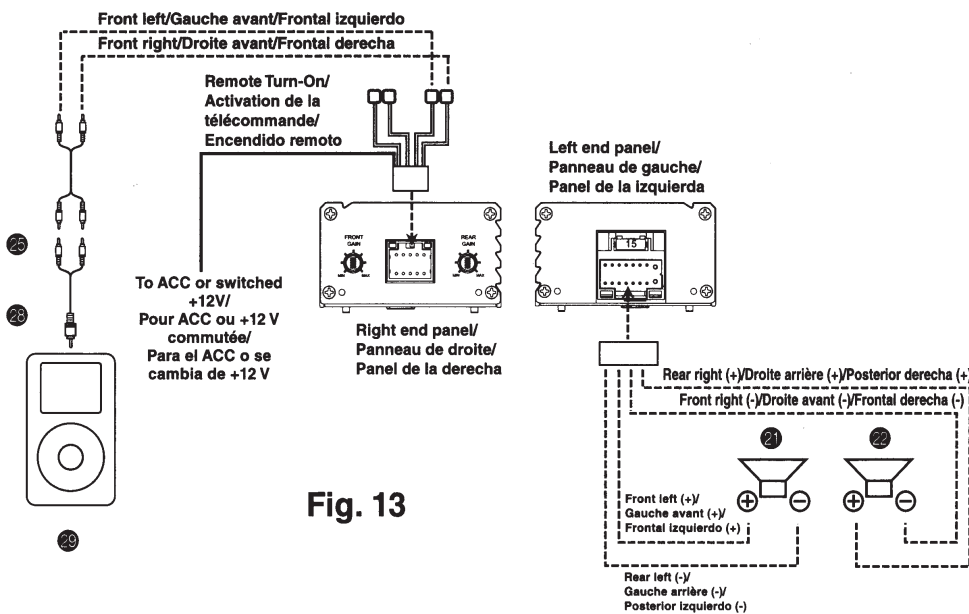


Fig. 13

Thank you for choosing Alpine for your car audio equipment needs. Our goal is to produce the best audio/video/navigation products in the world and hope your expectations are met.

Please take a moment to protect your purchase by registering your product now at the following address: www.alpine-usa.com/registration. You will be informed of product and software updates (if applicable), special promotions, and news about Alpine.

Also, by registering your product, you can enter for a chance to win prizes!

We look forward to continue serving you in the future.

Sincerely,

The Alpine Team

French

Nous vous remercions d'avoir porté votre choix sur un équipement audio automobile Alpine. Notre principal objectif est de fabriquer les meilleurs produits audio, vidéo et de navigation au monde afin de répondre aux exigences de nos clients.

Veuillez prendre quelques instants pour sécuriser votre achat en enregistrant votre produit à l'adresse suivante: www.alpine-usa.com/registration. Vous serez informé(e) des nouveaux produits, mises à jour logicielles (le cas échéant), promotions spéciales et informations concernant Alpine.

Lors de l'enregistrement de votre produit, vous pouvez vous inscrire et obtenir une chance de gagner des prix !

Nous espérons que nos produits vous donneront entière satisfaction.

Cordialement,

L'équipe Alpine

Spanish

Agradecemos que haya elegido a Alpine como su proveedor de equipo de audio para su vehículo. Nuestro objetivo es fabricar los mejores productos de audio, video y navegación del mundo y esperamos poder cumplir con sus expectativas.

Para proteger su compra le pedimos que se tome unos momentos para registrar su producto en la siguiente dirección: www.alpine-usa.com/registration. Recibirá información sobre novedades del producto, actualizaciones de software (si su producto lo requiere), promociones especiales y noticias sobre Alpine.

Además, si registra su producto, tendrá la posibilidad de entrar a un sorteo para ganar diversos premios.

Esperamos poder tener la oportunidad de seguir ofreciéndole otros productos en el futuro.

Atentamente,

El equipo de Alpine

KTP-445U

4 CHANNEL POWER AMPLIFIER
AMPLIFICATEUR À 4 CANAUX

45W RMS x 4

at 4Ω/2Ω, 14.4V, <1% THD+N

S/N: 82 dBA

Ref: 1W Into 4Ω





Mobile Media Solutions

KTP-445U

4 CHANNEL POWER AMPLIFIER
AMPLIFICATEUR À 4 CANAUX

- HIGH EFFICIENCY DIGITAL CIRCUIT DESIGN
- GLOBAL MODULATION TOPOLOGY
- FRONT AND REAR VARIABLE GAIN CONTROL
- 2 OR 4 CHANNEL INPUT MODE
- SELECTABLE FRONT AND REAR HIGH PASS CROSSOVERS
- BRIDGEABLE FOR 2 CHANNEL OUTPUT
- SPEAKER LEVEL INPUTS WITH REMOTE SENSING

- CIRCUIT NUMÉRIQUE HAUT RENDEMENT
- TOPOLOGIE À MODULATION GLOBALE
- CONTRÔLE DE GAIN VARIABLE AVANT ET ARRIÈRE
- MODE D'ENTRÉE À 2 OU 4 CANAUX
- SÉPARATEURS PASSE-HAUT AVANT ET ARRIÈRE RÉGLABLES
- COMPATIBLE AVEC SORTIE 2 CANAUX
- ENTRÉES HAUT-PARLEURS AVEC RÉVEIL AUTOMATIQUE

45W RMS x 4 at 4Ω/2Ω, 14.4V, <1% THD+N
S/N: 82 dBA Ref:1W into 4Ω



MADE IN CHINA
DESIGNED IN USA

FABRIQUÉ EN CHINE
CONÇU AUX ÉTATS-UNIS

Download from www.Somanuals.com. All Manuals Search And Download.



KTP-445U

4 CHANNEL POWER AMPLIFIER
AMPLIFICATEUR À 4 CANAUX

45W RMS x 4
at 4Ω/2Ω, 14.4V, <1% THD+N

S/N: 82 dBA
Ref: 1W Into 4Ω

ALPINE ELECTRONICS OF AMERICA, INC.
www.alpine-usa.com



KTP-445U

4 CHANNEL POWER AMPLIFIER
AMPLIFICATEUR À 4 CANAUX

45W RMS x 4
at 4Ω/2Ω, 14.4V, <1% THD+N

S/N: 82 dBA
Ref: 1W Into 4Ω



KTP-445U



KTP-445U



GARANTIE LIMITÉE

Fidèles à leur engagement de ne fournir que des produits de qualité, ALPINE ÉLECTRONIQUE DE L'AMÉRIQUE INC, et ALPINE ÉLECTRONIQUE DU CANADA, INC. (Alpine) sont heureuses de vous offrir cette garantie. Nous vous suggérons de le lire attentivement et en entier. Si vous avez la moindre question, veuillez contacter l'un de nos concessionnaires ou appeler directement Alpine aux numéros listés ci-dessous.

● PRODUITS COUVERTS PAR LA GARANTIE:

Cette garantie couvre les produits audio/visuel de voiture et les accessoires connexes ("le produit"). Elle ne couvre les produits que dans le pays où ils ont été achetés.

● DURÉE DE LA GARANTIE

Cette garantie est en vigueur pendant un an à partir de la date du premier achat du client.

● PERSONNES PROTÉGÉES PAR LA GARANTIE

Seul l'acheteur original du produit, s'il réside aux États-Unis, à Porto Rico ou au Canada, peut se prévaloir de la garantie.

● CE QUI EST COUVERT

Cette garantie couvre tous les défauts de matériaux et de fabrication (pièces et main d'oeuvre) du produit.

● CE QUI N'EST PAS COUVERT

Cette garantie ne couvre pas ce qui suit:

- ① Les dommages survenus durant le transport des produits renvoyés à Alpine pour être réparés (les réclamations doivent être adressées au transporteur);
- ② Tout dégât provoqué par accident, abus, négligence, usage inapproprié, mauvais raccordement, mauvaise utilisation ou par le non-respect des instructions indiquées dans le manuel de l'utilisateur.
- ③ Les dommages dus à la force majeure, notamment aux tremblements de terre, au feu, aux inondations, aux tempêtes ou aux autres cataclysmes naturels;
- ④ Les frais ou les dépenses relatifs à l'enlèvement ou à la réinstallation du produit;
- ⑤ Les services rendus par une personne, physique ou morale non autorisée;
- ⑥ Les produits dont le numéro de série a été effacé, modifié ou retiré;
- ⑦ Les produits qui ont été adaptés ou modifiés sans le consentement d'Alpine;
- ⑧ Les produits qui ne sont pas distribués par Alpine aux États-Unis, à Porto Rico ou au Canada;
- ⑨ Les produits qui n'ont pas été achetés par l'entremise d'un concessionnaire Alpine autorisé;

● COMMENT SE PRÉVALOIR DE LA GARANTIE

- ① Il vous faut remettre le produit nécessitant des réparations à un centre de service autorisé Alpine ou à Alpine même et en assumer les frais de transport. Alpine a le choix entre réparer le produit ou le remplacer par un produit neuf ou révisé, le tout sans frais pour vous. Si les réparations sont couvertes par la garantie et si le produit a été envoyé à un centre de service Alpine ou à Alpine, le paiement des frais de réexpédition du produit incombe Alpine.
- ② Vous devez donner une description détaillée des problèmes qui sont à l'origine de votre demande de réparation.
- ③ Vous devez joindre la preuve de votre achat du produit.
- ④ Vous devez emballer soigneusement le produit pour éviter tout dommage durant son transport. Pour éviter la perte de l'envoi, il est conseillé de choisir un transporteur qui propose un service de suivi des envois.

● LIMITATION DES GARANTIES TACITES

LA DURÉE DE TOUTES LES GARANTIES TACITES, Y COMPRIS LA GARANTIE D'ADAPTATION À L'UTILISATION

ET LA GARANTIE DE QUALITÉ LOYALE ET MARCHANDE, EST LIMITÉE À CELLE DE LA GARANTIE EXPRESSE DÉTERMINÉE CI-DESSUS. PERSONNE N'EST AUTORISÉ À ENGAGER AUTREMENT LA RESPONSABILITÉ D'ALPINE EN VERTU DE LA VENTE D'UN PRODUIT.

● EXCLUSIONS DE LA GARANTIE

ALPINE STIPULE EXPRESSÉMENT QU'ELLE N'EST PAS RESPONSABLE DES DOMMAGES-INTÉRÊTS ET DOMMAGES INDIRECTS PROVOQUÉS PAR LE PRODUIT. LES DOMMAGES-INTÉRÊTS SONT LES FRAIS DE TRANSPORT DU PRODUIT VERS UN CENTRE DE SERVICE ALPINE, LA PERTE DE TEMPS DE L'ACHETEUR ORIGINAL, LA PERTE D'UTILISATION DU PRODUIT, LES BILLETS D'AUTOBUS, LA LOCATION DE VOITURES ET TOUS LES AUTRES FRAIS LIÉS À LA GARDE DU PRODUIT.

LES DOMMAGES INDIRECTS SONT LES FRAIS DE RÉPARATION OU DE REMPLACEMENT D'AUTRES BIENS ENDOMMAGÉS SUITE AU MAUVAIS FONCTIONNEMENT DU PRODUIT.

LES RECOURS PRÉVUS PAR LES PRÉSENTES EXCLUENT ET REMPLACENT TOUTE AUTRE FORME DE RECOURS.

● LIEN ENTRE LA GARANTIE ET LA LOI

La garantie vous donne des droits spécifiques, mais vous pouvez aussi jouir d'autres droits, qui varient d'un état ou d'une province à l'autre. En outre, certains états et certaines provinces interdisent de limiter la durée des garanties tacites ou d'exclure les dommages accessoires ou indirects. Dans ce cas, les limites et les exclusions de la garantie peuvent ne pas s'appliquer à vous.

● CLAUSE APPLICABLE AU CANADA SEULEMENT

Pour que la garantie soit valable, il faut qu'un centre d'installation autorisé ait installé le système audio pour l'auto dans votre véhicule et qu'il ait ensuite apposé son cachet sur la garantie.

● NUMÉROS D'APPEL DU SERVICE À LA CLIENTÈLE

Si vous avez besoin de nos services, veuillez appeler Alpine aux numéros ci-dessous pour le centre de service autorisé Alpine le plus proche.

AUDIO DE VOITURE	1-800-ALPINE-1 (1-800-257-4631)
NAVIGATION	1-888-NAV-HELP (1-888-628-4357)

Ou visitez notre site Web à l'adresse <http://www.alpine-usa.com>

ALPINE ÉLECTRONIQUE DE L'AMÉRIQUE, INC., 19145 Gramercy Place, Torrance, California 90501, U.S.A.

ALPINE ÉLECTRONIQUE DU CANADA, INC., 777 Supertest Road, Toronto, Ontario M3J 2M9, Canada

N'envoyez aucun produit à ces adresses.

Appelez notre numéro gratuit ou visitez notre site Web si vous recherchez un centre de service.



LIMITED WARRANTY

ALPINE ELECTRONICS OF AMERICA, INC. AND ALPINE OF CANADA INC. ("Alpine"), are dedicated to quality craftsmanship and are pleased to offer this Warranty. We suggest that you read it thoroughly. Should you have any questions, please contact your Dealer or contact Alpine at one of the telephone numbers listed below.

●PRODUCTS COVERED:

This Warranty covers Car Audio Products and Related Accessories ("the product"). Products purchased in the Canada are covered only in the Canada. Products purchased in the U.S.A. are covered only in the U.S.A.

●LENGTH OF WARRANTY:

This Warranty is in effect for one year from the date of the first consumer purchase.

●WHO IS COVERED:

This Warranty only covers the original purchaser of the product, who must reside in the United States, Puerto Rico or Canada.

●WHAT IS COVERED:

This Warranty covers defects in materials or workmanship (parts and labor) in the product.

●WHAT IS NOT COVERED:

This Warranty does not cover the following:

- ① Damage occurring during shipment of the product to Alpine for repair (claims must be presented to the carrier).
- ② Damage caused by accident or abuse, including burned voice coils caused by over-driving the speaker (amplifier level is turned up and driven into distortion or clipping). Speaker mechanical failure (e.g. punctures, tears or rips). Cracked or damaged LCD panels. Dropped or damaged hard drives.
- ③ Damage caused by negligence, misuse, improper operation or failure to follow instructions contained in the Owner's manual.
- ④ Damage caused by act of God, including without limitation, earthquake, fire, flood, storms or other acts of nature.
Any cost or expense related to the removal or reinstallation of the product.
- ⑤ Service performed by an unauthorized person, company or association.
- ⑥ Any product which has the serial number defaced, altered or removed.
- ⑦ Any product which has been adjusted, altered or modified without Alpine's consent.
- ⑧ Any product not distributed by Alpine within the United States, Puerto Rico or Canada.
- ⑨ Any product not purchased from an Authorized Alpine Dealer.

●HOW TO OBTAIN WARRANTY SERVICE:

- ① You are responsible for delivery of the product to an Authorized Alpine Service Center or Alpine for repair and for payment of any initial shipping charges. Alpine will, at its option, repair or replace the product with a new or reconditioned product without charge. If the repairs are covered by the warranty, and if the product was shipped to an Authorized Alpine Service Center or Alpine, Alpine will pay the return shipping charges.
- ② You should provide a detailed description of the problem(s) for which service is required.

- ③ You must supply proof of your purchase of the product.

- ④ You must package the product securely to avoid damage during shipment. To prevent lost packages it is recommended to use a carrier that provides a tracking service.

●HOW WE LIMIT IMPLIED WARRANTIES:

ANY IMPLIED WARRANTIES INCLUDING FITNESS FOR USE AND MERCHANTABILITY ARE LIMITED IN DURATION TO THE PERIOD OF THE EXPRESS WARRANTY SET FORTH ABOVE AND NO PERSON IS AUTHORIZED TO ASSUME FOR ALPINE ANY OTHER LIABILITY IN CONNECTION WITH THE SALE OF THE PRODUCT.

●HOW WE EXCLUDE CERTAIN DAMAGES:

ALPINE EXPRESSLY DISCLAIMS LIABILITY FOR INCIDENTAL AND CONSEQUENTIAL DAMAGES CAUSED BY THE PRODUCT. THE TERM "INCIDENTAL DAMAGES" REFERS TO EXPENSES OF TRANSPORTING THE PRODUCT TO THE ALPINE SERVICE CENTER, LOSS OF THE ORIGINAL PURCHASER'S TIME, LOSS OF THE USE OF THE PRODUCT, BUS FARES, CAR RENTALS OR OTHERS COSTS RELATING TO THE CARE AND CUSTODY OF THE PRODUCT. THE TERM "CONSEQUENTIAL DAMAGES" REFERS TO THE COST OF REPAIRING OR REPLACING OTHER PROPERTY WHICH IS DAMAGED WHEN THIS PRODUCT DOES NOT WORK PROPERLY. THE REMEDIES PROVIDED UNDER THIS WARRANTY ARE EXCLUSIVE AND IN LIEU OF ALL OTHERS.

●HOW STATE/PROVINCIAL LAW RELATES TO THE WARRANTY:

This Warranty gives you specific legal rights, and you may also have other rights which vary from state to state and province to province. In addition, some states/provinces do not allow limitations on how long an implied warranty lasts, and some do not allow the exclusion or limitation of incidental or consequential damages. Accordingly, limitations as to these matters contained herein may not apply to you.

●IN CANADA ONLY:

This Warranty is not valid unless your Alpine car audio product has been installed in your vehicle by an Authorized Installation Center, and this warranty stamped upon installation by the installation center.

●HOW TO CONTACT CUSTOMER SERVICE:

Should the product require service, please call the following number for your nearest Authorized Alpine Service Center.

CAR AUDIO 1-800-ALPINE-1 (1-800-257-4631)
NAVIGATION 1-888-NAV-HELP (1-888-628-4357)

Or visit our website at; <http://www.alpine-usa.com>

ALPINE ELECTRONICS OF AMERICA, INC., 19145 Gramercy Place, Torrance, California 90501, U.S.A.

ALPINE ELECTRONICS OF CANADA, INC., 777 Supertest Road, Toronto, Ontario M3J 2M9, Canada

Do not send products to these addresses.

Call the toll free telephone number or visit the website to locate a service center.

Free Manuals Download Website

<http://myh66.com>

<http://usermanuals.us>

<http://www.somanuals.com>

<http://www.4manuals.cc>

<http://www.manual-lib.com>

<http://www.404manual.com>

<http://www.luxmanual.com>

<http://aubethermostatmanual.com>

Golf course search by state

<http://golfingnear.com>

Email search by domain

<http://emailbydomain.com>

Auto manuals search

<http://auto.somanuals.com>

TV manuals search

<http://tv.somanuals.com>