



# TME-M770

## 6.5-INCH TOUCH PANEL WIDE LCD MONITOR

- **OWNER'S MANUAL**  
Please read before using this equipment.
- **BEDIENUNGSANLEITUNG**  
Lesen Sie diese Bedienungsanleitung bitte vor Gebrauch des Gerätes.
- **MODE D'EMPLOI**  
Veuillez lire avant d'utiliser cet appareil.
- **MANUAL DE OPERACIÓN**  
Léalo antes de utilizar este equipo.
- **ISTRUZIONI PER L'USO**  
Si prega di leggere prima di utilizzare il  
attrezzatura.
- **ANVÄNDARHANDLEDNING**  
Innan du använder utrustningen bör du läsa  
igenom denna användarhandledning.
- **用戶說明書**  
使用本裝置前請詳細閱讀本使用說明書。

#### ALPINE ELECTRONICS, INC.

1-1-8 Nishi Gotanda,  
Shinagawa-ku, Tokyo 141-0031, Japan  
Phone 03-5496-8231

#### ALPINE ELECTRONICS OF AMERICA, INC.

19145 Gramercy Place, Torrance,  
California 90501, U.S.A.  
Phone 1-800-ALPINE-1 (1-800-257-4631)

#### ALPINE ELECTRONICS OF CANADA, INC.

7300 Warden Ave., Suite 203, Markham,  
Ontario L3R 9Z6, Canada  
Phone 1-800-ALPINE-1 (1-800-257-4631)

#### ALPINE ELECTRONICS OF AUSTRALIA PTY. LTD.

6-8 Fiveways Boulevard Keysborough,  
Victoria 3173, Australia  
Phone 03-9769-0000

ALPINE ELECTRONICS GmbH  
Frankfurter Ring 117, 80807 München,  
Germany  
Phone 089-32 42 640

#### ALPINE ELECTRONICS OF U.K., LTD.

Fletchamstead Highway,  
Coventry CV4 9TW, U.K.  
Phone 0870-33 33 763

#### ALPINE ELECTRONICS FRANCE S.A.R.L.

(RCS PONTOISE B 338 101 280)  
98, Rue de la Belle Etoile, Z.I. Paris  
Nord II, B.P. 50016, 95945, Roissy  
Charles de Gaulle Cedex, France  
Phone 01-48 63 89 89

#### ALPINE ITALIA S.p.A.

Viale C. Colombo 8,  
20090 Trezzano Sul Naviglio (MI), Italy  
Phone 02-48 47 81

#### ALPINE ELECTRONICS DE ESPAÑA, S.A.

Portal de Gamarra 36, Pabellón, 32  
01013 Vitoria (Alava) - APDO 133, Spain  
Phone 945-283588



# Contents

## Operating Instructions

### **WARNING**

WARNING .....	2
CAUTION .....	3
PRECAUTIONS .....	3

### **Basic Operation**

Screen Display ON/OFF .....	4
Adjusting the Volume .....	4
Switching the Source .....	4

### **Other Useful Features**

Setup Operation .....	5
VISUAL EQ™ Operation .....	7
Changing to Another Product's Source .....	8
Operating Other Products .....	8

### **Information**

In Case of Difficulty .....	10
Specifications .....	10

## Installation and Connections

Warning .....	11
Caution .....	11
Precautions .....	12
Installation .....	13
Connections .....	16

# WARNING

## WARNING

**This symbol means important instructions. Failure to heed them can result in serious injury or death.**

### **DO NOT OPERATE ANY FUNCTION THAT TAKES YOUR ATTENTION AWAY FROM SAFELY DRIVING YOUR VEHICLE.**

Any function that requires your prolonged attention should only be performed after coming to a complete stop. Always stop the vehicle in a safe location before performing these functions. Failure to do so may result in an accident.

### **KEEP THE VOLUME AT A LEVEL WHERE YOU CAN STILL HEAR OUTSIDE NOISE WHILE DRIVING.**

Failure to do so may result in an accident.

### **MINIMIZE DISPLAY VIEWING WHILE DRIVING.**

Viewing the display may distract the driver from looking ahead of the vehicle and cause an accident.

### **DO NOT DISASSEMBLE OR ALTER.**

Doing so may result in an accident, fire or electric shock.

### **USE THIS PRODUCT FOR MOBILE 12V APPLICATIONS.**

Use for other than its designed application may result in fire, electric shock or other injury.

### **KEEP SMALL OBJECTS SUCH AS BATTERY OUT OF THE REACH OF CHILDREN.**

Swallowing them may result in serious injury. If swallowed, consult a physician immediately.

### **USE THE CORRECT AMPERE RATING WHEN REPLACING FUSES.**

Failure to do so may result in fire or electric shock.

### **DO NOT WATCH VIDEO WHILE DRIVING.**

Watching the video may distract the driver from looking ahead of the vehicle and cause an accident.

### **INSTALL THE PRODUCT CORRECTLY SO THAT THE DRIVER CANNOT WATCH TV/VIDEO UNLESS THE VEHICLE IS STOPPED AND THE EMERGENCY BRAKE IS APPLIED.**

It is dangerous for the driver to watch TV/Video while driving a vehicle. Installing this product incorrectly enables the driver to watch TV/Video while driving. This may cause a distraction, preventing the driver from looking ahead, thus causing an accident. The driver or other people could be severely injured.



## CAUTION

**This symbol means important instructions. Failure to heed them can result in injury or material property damage.**

### **HALT USE IMMEDIATELY IF A PROBLEM APPEARS.**

Failure to do so may cause personal injury or damage to the product. Return it to your authorized Alpine dealer or the nearest Alpine Service Centre for repairing.



## PRECAUTIONS

### **Temperature**

Be sure the temperature inside the vehicle is between +45°C (+113°F) and 0°C (+32°F) before turning your unit on.

### **Fuse Replacement**

When replacing the fuse(s), the replacement must be of the same amperage as shown on the fuse holder. If the fuse(s) blows more than once, carefully check all electrical connections for shorted circuitry. Also have your vehicle's voltage regulator checked.

### **Maintenance**

If you have problems, do not attempt to repair the unit yourself. Return it to your Alpine dealer or the nearest Alpine Service Station for servicing.

### **Installation Location**

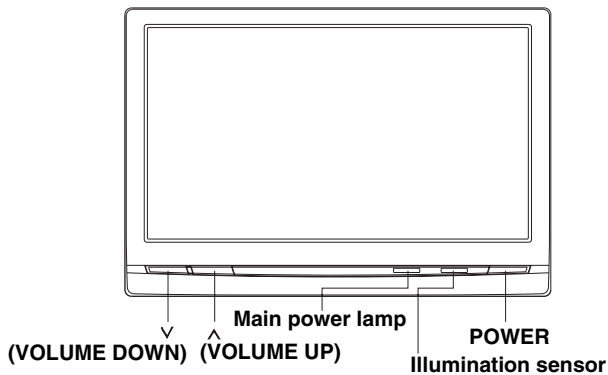
Make sure the TME-M770 will not be exposed to:

- Direct sun and heat
- High humidity
- Excessive dust
- Excessive vibrations
- After turning the system off, a slight ghost of the image will remain temporarily. This is an effect peculiar to LCD technology and is normal.
- Under cold temperature conditions, the screen may lose contrast temporarily. After a short warm-up period, it will return to normal.

### **About the Touch Switch**

- To protect the display, lightly touch the screen with the tip of your finger.
- If there is no response from the switch, then move your finger away from the screen and touch again.

# Basic Operation



## Screen Display ON/OFF

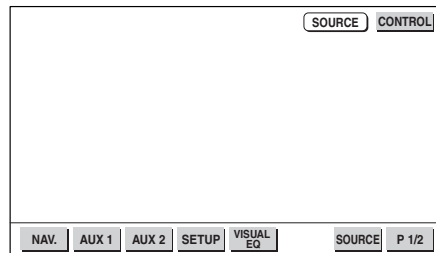
- 1 Press the **POWER** button.
- 2 To turn off the POWER, press the **POWER** button again.
  - If properly connected, the monitors main POWER will turn off when the vehicle's ignition switch is off. If the main power lamp illuminates in the STAND BY mode, the vehicle's battery may be discharged.
  - After turning the system off, a slight ghost of the image will remain temporarily. This is an effect peculiar to LCD technology and is normal.
  - Under cold temperature conditions, the screen may lose contrast temporarily. After a short warm-up period, it will return to normal.

## Adjusting the Volume

- 1 Adjust the volume level by pressing the ∨ or ∧ button.

## Switching the Source

- 1 Touch the option part of the display to display each source operation screen or source selection screen.
- 2 If each source operation screen is displayed, touch **CONTROL** on the upper right side of the screen to display the source selection screen.
  - The source selection screen is displayed by touching "CONTROL" as described below, depending on the current source.
    - When touched while the current source is GAME, AUX 1 or AUX 2 : Source selection screen
    - When touched while the current source is EXT.DVD: EXT.DVD operation screen → Source selection screen
    - When touched while the current source is TV: TV operation screen → Source selection screen
    - When touched while the current source is LINK: AUDIO operation screen → EXT.DVD operation screen → TV operation screen → Source selection screen
- 3 Touch the source (NAV. / AUX 1 / AUX 2) you want to view.

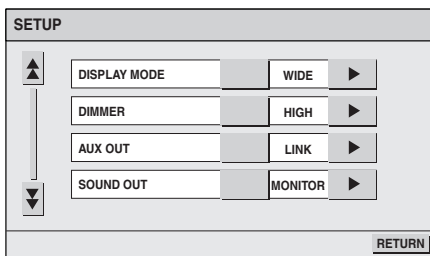


- The AUX 1, AUX 2 source name changes to the selected mode name in the next item "SETUP operation" - "ⓐExternal input name setting". Also, "NAV." is only displayed when "ⓑNavigation Settings" in following section, "Setup Operation", is set to "ON".
- The operation screens for the different sources as well as the source selection screen turn off automatically if no operation is performed for 5 seconds.

# Other Useful Features

## Setup Operation

- 1 Touch the option part of the display to display each source operation screen or source selection screen.
- 2 If each source operation screen is displayed, touch **CONTROL** on the upper right side of the screen to display the source selection screen.
- 3 Touch **SETUP**.
- 4 Select the desired setting item screen by touching ▲ or ▼.
- 5 Change the setting by touching ◀ or ▶.



- ① Display mode selection for the display (DISPLAY MODE)



WIDE

Normal images are expanded uniformly in the horizontal direction and are displayed over the entire screen.



ZOOM

Normal images are expanded in the horizontal direction and are displayed over the entire screen. The expansion ratio increases towards the right and left edges of the screen.



CINEMA

Normal images are expanded in the horizontal and vertical directions. The top and bottom of the image are cut off. This mode is suited for 16:9 cinema size images.



NORMAL

Normal image (4:3)

- ② Dimmer adjustment (DIMMER)

HIGH : The backlighting is set to the value adjusted at "DIMMER HIGH LEVEL".

LOW : The backlighting is set to the value adjusted at "DIMMER LOW LEVEL".

AUTO: Display illumination can be adjusted automatically depending on the brightness in the car. (Within the range of DIMMER HIGH LEVEL and DIMMER LOW LEVEL)

Continued

# Other Useful Features

## ③ Rear monitor select function (AUX OUT)

**LINK** : Output the video/audio portion shown on the main monitor, to the rear monitor.

**AUX1** : Output the AUX1 video/audio to the rear monitor.

**AUX2** : Output the AUX2 video/audio to the rear monitor.

## ④ Change sound output (SOUND OUT)

**MONITOR** : Outputs sound through the built-in speakers.

**HEADPHONE** : Outputs sound to headphones if connected.

\*Note that sound will not be output unless the audio output settings are appropriate.

## ⑤ External input sound level adjustment (AUX IN 1 LEVEL/AUX IN 2 LEVEL)

**HIGH** : Sets the sound level at a high level.

**LOW** : Reduces the sound level.

## ⑥ External input name setting (AUX IN 1 MODE/AUX IN 2 MODE)

Select the name from the following list, to be used for the product using the external input mode. This will apply to the touch switch name at source selection time and the source name during playback change.

OFF/TV/EXT.DVD/GAME/AUX 1 (2)/LINK (AUX 1 MODE only)

- Set to "LINK" when the IVA-D300 series or VPE-S431 is connected. (Be sure to connect to the "AUX IN 1" connector.)
- Set to "EXT.DVD" when the DVA-5210, DVA-5205 series, DHA-S680 series or the like is connected.
- Set to "TV" if a TV tuner is connected to this product.
- The way the source operation screens and the source selection screen switches when "CONTROL" is touched differs according to the selected mode. (See page 4 "Switching the Source", step 2.)

## ⑦ Navigation settings (NAV. IN)

When the navigation is connected, set to ON.

## ⑧ Dimmer HIGH level adjustment (DIMMER HIGH LEVEL)

Adjusts the HIGH LEVEL (16 (MIN) to 31 (MAX)) of the dimmer.

## ⑨ Dimmer LOW level adjustment (DIMMER LOW LEVEL)

Adjusts the LOW LEVEL (0 (MIN) to 15 (MAX)) of the dimmer.

## ⑩ Touch panel adjustment (SCREEN ALIGNMENT)

Adjust if the LCD display position and touch panel position do not match.

◀◀ : Reset to default settings.

▶ : Changes to adjustment screen. The adjustment method is as follows.

- 1) Touch ▶ from SCREEN ALIGNMENT. The screen changes to the adjustment screen.
- 2) Touch the ✕ mark on the lower left side of the screen. The adjustment screen switches.
- 3) Touch the ✕ mark on the upper right side of the screen. When the adjustment is finished, the screen returns to the SETUP screen.

- If you touch **RETURN** on the adjustment screen, nothing is adjusted and the screen returns to the **SETUP** screen.

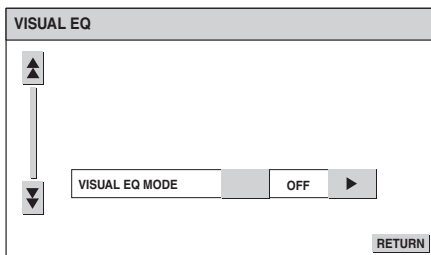
## 6 When the settings are completed, touch **RETURN**.

The screen returns to the source selection screen.



## VISUAL EQ™ Operation

- 1 Touch the option part of the display to display each source operation screen or source selection screen.
- 2 If each source operation screen is displayed, touch **CONTROL** on the upper right side of the screen to display the source selection screen.
- 3 Touch **VISUAL EQ**.
- 4 Select the desired setting by touching ▲ or ▼.
- 5 Change the selected setting by touching ◀ or ▶.



- ① VISUAL EQ mode (manufacturer's settings) selection (VISUAL EQ MODE)
  - OFF : Default setting.
  - NIGHT M. : Suitable for movies with a lot of dark scenes.
  - SOFT : Suitable for movies with computer graphics or animation.
  - SHARP : Suitable for old movies whose resolution is unclear.
  - CONTRAST : Suitable for the latest movies.
  - P.SET-1, 2 : Accesses the preset number stored in step "⑦ Storing".

- To return to the default values after selecting one of the modes between "NIGHT M." and "CONTRAST" then adjusting the image brightness, color density and so on to suit your tastes, set this function to "OFF".

- ② Brightness adjustment (BRIGHT)

Allows the brightness (–15 (MIN)~+15 (MAX)) of the picture.
- ③ Color depth adjustment (COLOR)

Change depth can be adjusted from –15 (MIN) to +15 (MAX).

  - \* Adjustment cannot be made in the NAVIGATION (RGB connection) mode.

- ④ Tint tone adjustment (TINT)

Tint tone can be adjusted from G15 (G MAX) to R15 (R MAX).

  - \* Adjustment cannot be made in the NAVIGATION (RGB connection) mode.

- ⑤ Contrast adjustment (CONTRAST)

Contrast can be adjusted from –15 (LOW) to +15 (HIGH).

- ⑥ Screen quality adjustment (SHARP)

Screen quality can be adjusted from –15 (SOFT) to +15 (HARD).

- ⑦ Storing (USER MEMORY)

You can store the settings adjusted in steps ② to ⑥ in the following way.

- 1) Touch ◀ or ▶ from USER MEMORY after adjusting settings ② to ⑥, and select the preset number you want to store in (P.SET-1, 2).
- 2) After selecting the preset No., touch "WRITE".

- P.SET-1, 2 stored here can be accessed from "① VISUAL EQ mode selection".
- If ② to ⑥ are adjusted, VISUAL EQ mode in ① changes to "CUSTOM".

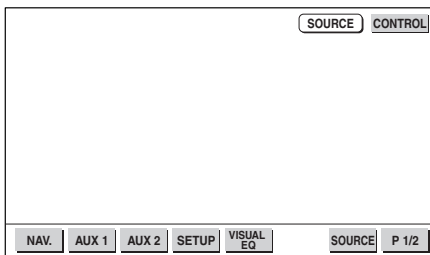
- 6 When setting is completed, touch **RETURN**. The screen changes to the source selection screen.

# Other Useful Features

## Changing to Another Product's Source

When used with touch panel compatible products such as the IVA-D300 series/VPE-S431, sources connected to those products are also selectable.

- 1 Touch the option part of the display to display each source operation screen or source selection screen.
- 2 If each source operation screen is displayed, touch **CONTROL** on the upper right side of the screen to display the source selection screen.
- 3 Touch **SOURCE**.



<When the AUX IN 1 connection destination is the IVA-D300 series etc.>

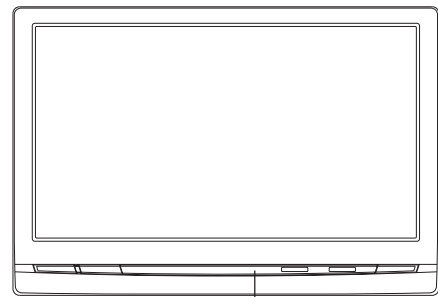
Each time you touch "SOURCE", the source changes.  
The source depends on the settings and connections of the product used together with the IVA-D300 series.  
Refer to the combined products instructions manuals.

<When the AUX IN 1 connection destination is VPE-S431>

After touching "SOURCE", change the source with the following operation.

- 1) Touch "P 1/2".  
The screen changes to "P 2/2".
  - 2) Touch "◀" "▶" "▲" "▼" to select the desired source. Touch "ENTER".  
Touch "RETURN" to return to the previous screen.
- When "SETUP" is selected, the setup operation on the VPE-S431 can be performed in the same way as the source selection operation. For details on the setup items, see the VPE-S431's operating instructions.

## Remote Control Sensor



Remote sensor

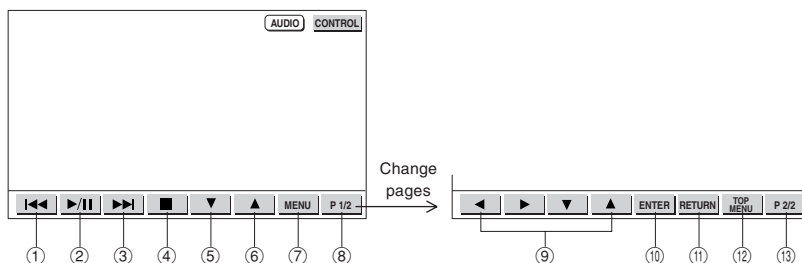
- Receives the remote control signal from connected ALPINE products such as navigation and DVD players.

## Operating Other Products

When the TME-M770 is used in combination with a product designed to be operated from the TME-M770 (IVA-D300 series, DVA-5210, DHA-S680 series, etc.), some of the operations on the other product can be performed from the TME-M770. Below are some examples of the operations that can be performed.

### Operating a DVD in the IVA-D300 series

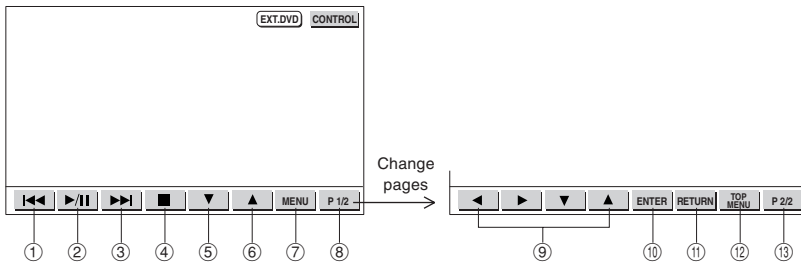
- 1 Touch any point on the display.  
The "AUDIO" operation screen appears.



Operation of DVD in IVA-D300 series		
	Touch	Long touch
①	Play from start of current chapter	2x fast reverse/8x fast reverse after 5 seconds
②	Play/pause	–
③	Play next chapter	2x fast forward/8x fast forward after 5 seconds Slow play (from pause mode)
④	PRE STOP/STOP	STOP
⑤	–	–
⑥	–	–
⑦	Call out DVD menu	–
⑧	Switch page (function guide)	–
⑨	Move menu cursor	–
⑩	Enter (DVD menu)	–
⑪	–	–
⑫	–	Call out DVD top menu
⑬	Switch page (function guide)	–

## Operating the DVA-5210 and the DHA-S680 series

- 1 Touch the option part of the display.  
The screen changes to the operation screen for each source.
- 2 Touch “CONTROL” on the upper right side of the screen.  
Display the “EXT.DVD” operation screen.



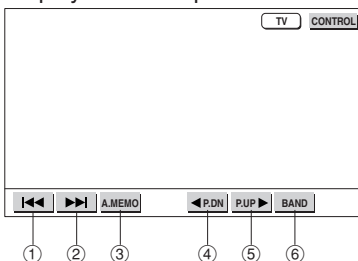
Operation of a DVD player (DVA-5210)		Operation of a DVD changer (DHA-S680 series)		
	Touch	Long touch	Touch	Long touch
①	Play from start of current chapter	2x fast reverse/ 8x fast reverse after 5 seconds	Play from start of current chapter	16x fast reverse
②	Play/pause	–	Play	Slow play
③	Play next chapter	2x fast forward/ 8x fast forward after 5 seconds Slow play (from pause mode)	Play next chapter	16x fast forward
④	PRE STOP/STOP	STOP	PRE STOP/STOP	–
⑤	–	–	Switch DISC	–
⑥	–	–	Switch DISC	–
⑦	Call out DVD menu	Call out DVD player setup screen*	Call out DVD menu	Call out DVD changer setup screen*
⑧	Switch page (function guide)	–	Switch page (function guide)	–
⑨	Move menu cursor	–	Move menu cursor	–
⑩	Enter (DVD menu)	–	Enter (DVD menu)	–
⑪	Move back 1 screen (DVD player setup)*	–	Move back 1 screen (DVD changer setup)*	–
⑫	Cue to start of chapter, track or elapsed time	Call out DVD top menu	Cue to start of chapter, track or elapsed time	Call out DVD top menu
⑬	Switch page (function guide)	–	Switch page (function guide)	–

\* Stop mode only

\* Stop mode only

### If a TV is operated (A TV tuner is connected)

- 1 Touch the option part of the display.  
The screen changes to the operation screen for each source.
- 2 Touch “CONTROL” on the upper right side of the screen.  
Display the “TV” operation screen.



TV Operation		
	Touch	Long touch
①	Channel down	–
②	Channel up	–
③	Auto memory	–
④	Preset channel down	–
⑤	Preset channel up	–
⑥	Change band	–

Continued

9-EN

# Other Useful Features

- When connecting an IVA-D300 series to the TME-M770, be sure to connect it to the "AUX IN 1" connector and set the "AUX IN MODE" setting (SETUP) to "LINK".
- When connecting a DVA-5210, DHA-S680 series, etc., to the TME-M770, set the "AUX IN MODE" setting (SETUP) to "EXT.DVD".
- When connecting a TV tuner to the TME-M770, set the "AUX IN MODE" setting (SETUP) to "TV".
- The TME-M770 and other components connected to it can be operated with a separately sold remote control unit. For instructions on operations using the remote control unit, see the remote control unit's operating instructions. When operating an IVA-D300 series, see the "Rear Entertainment Function" section of the IVA-D300 series's operating instructions.
- Depending on the connected component, some functions and operations may differ. Also refer to the operating instructions of the connected component.

## Information

### In Case of Difficulty

If you encounter a problem, please review the items in the following checklist. This guide will help you isolate the problem if the unit is at fault. Otherwise, make sure the rest of your system is properly connected or consult your authorized Alpine dealer.

#### No function or display.

- Car's ignition is off.
  - Turn the ignition on.
- No fuse or blown fuse.
  - Check the cause and replace the fuse.
- Incorrect connections.
  - Check connection and remedy.
- Vehicle's battery is weak.
  - Check the voltage of vehicle's battery.

#### Unclear picture display.

- Fluorescent tube is exhausted.
  - Replace the fluorescent tube\*.

#### No picture display.

- Brightness control is set for minimum brightness control.
  - Adjust the brightness.
- Incorrect setting of the VTR mode.
  - Switch to the correct mode.
- Protective circuit is on because of high temperature.
  - Wait until the temperature inside the vehicle comes down to the operating temperature range (45°C).
- Incorrect or open connection with the Monitor, AV interface unit.
  - Check the connection and remedy.

#### Picture color is poor.

- Brightness/Color/Tint control are not set to the proper positions.
  - Check each control.

#### Spots or dotted lines/stripes appear.

- Caused by neon signs, high-voltage power lines, CB transmitter, other vehicle's ignition plugs, etc.
  - Change the location of your vehicle.

#### Unit does not operate.

- Monitor's power is not turned on.
  - Turn on the monitor's power.

#### Navigation screen is not displayed or navigation system's remote controller keys do not work.

- Navigation system's power is turned off.
  - Press the ON/OFF (POWER) button on the navigation system's remote controller to turn the navigation system's power on.

\* The fluorescent tube replacement is not free of charge even within the warranty period, for the tube is an article of consumption.

## Specifications

### MONITOR

Screen Size	6.5-type
Display System	Low reflection rear projection type TN liquid crystal panel
Drive System	Active matrix drive, normally white display
Number of Picture Elements	280,800 pcs. (H:1200 x V:234 dots)
Effective Number of Picture Elements	99.99% or more
Light Source	Internal optical system (U-type cold cathode fluorescent tube)
Dimensions (W x H x D)	161 x 109 x 28.5mm
Weight	360g

### AV Interface Unit

Dimensions (W x H x D)	180 x 119 x 28.5 mm
Weight	550g

- Due to continuous product improvement, specifications and design are subject to change without notice.
- The LCD panel is manufactured using an extremely high precision manufacturing technology. Its effective pixel ratio is over 99.99%. This means that there is a possibility that 0.01% of the pixels could be either always ON or OFF.

# Installation and Connections

Before installing or connecting the unit, please read the following and pages 2 and 3 of this manual thoroughly for proper use.

## Warning

### **MAKE THE CORRECT CONNECTIONS.**

Failure to make the proper connections may result in fire or product damage.

### **USE ONLY IN CARS WITH A 12 VOLT NEGATIVE GROUND.**

(Check with your dealer if you are not sure.) Failure to do so may result in fire, etc.

### **BEFORE WIRING, DISCONNECT THE CABLE FROM THE NEGATIVE BATTERY TERMINAL.**

Failure to do so may result in electric shock or injury due to electrical shorts.

### **DO NOT ALLOW CABLES TO BECOME ENTANGLED IN SURROUNDING OBJECTS.**

Arrange wiring and cables in compliance with the manual to prevent obstructions when driving. Cables or wiring that obstruct or hang up on places such as the steering wheel, shift lever, brake pedals, etc. can be extremely hazardous.

### **DO NOT SPLICE INTO ELECTRICAL CABLES.**

Never cut away cable insulation to supply power to other equipment. Doing so will exceed the current carrying capacity of the wire and result in fire or electric shock.

### **DO NOT USE BOLTS OR NUTS IN THE BRAKE OR STEERING SYSTEMS TO MAKE GROUND CONNECTIONS.**

Bolts or nuts used for the brake or steering systems (or any other safety-related system), or tanks should NEVER be used for installations or ground connections. Using such parts could disable control of the vehicle and cause fire etc.

### **KEEP SMALL OBJECTS SUCH AS BATTERY OUT OF THE REACH OF CHILDREN.**

Swallowing them may result in serious injury. If swallowed, consult a physician immediately.

### **DO NOT INSTALL IN LOCATIONS WHICH MIGHT HINDER VEHICLE OPERATION, SUCH AS THE STEERING WHEEL OR SHIFT LEVER.**

Doing so may obstruct forward vision or hamper movement etc. and results in serious accident.

### **DO NOT DAMAGE PIPE OR WIRING WHEN DRILLING HOLES.**

When drilling holes in the chassis for installation, take precautions so as not to contact, damage or obstruct pipes, fuel lines, tanks or electrical wiring. Failure to take such precautions may result in fire.

### **DO NOT INSTALL THE MONITOR NEAR THE PASSENGER SEAT AIR BAG.**

If the unit is not installed correctly the air bag may not function correctly and when triggered the air bag may cause the monitor to spring upwards causing an accident and injuries.

## Caution

### **HAVE THE WIRING AND INSTALLATION DONE BY EXPERTS.**

The wiring and installation of this unit requires special technical skill and experience. To ensure safety, always contact the dealer where you purchased this product to have the work done.

### **USE SPECIFIED ACCESSORY PARTS AND INSTALL THEM SECURELY.**

Be sure to use only the specified accessory parts. Use of other than designated parts may damage this unit internally or may not securely install the unit in place. This may cause parts to become loose resulting in hazards or product failure.

### **ARRANGE THE WIRING SO IT IS NOT CRIMPED OR PINCHED BY A SHARP METAL EDGE.**

Route the cables and wiring away from moving parts (like the seat rails) or sharp or pointed edges. This will prevent crimping and damage to the wiring. If wiring passes through a hole in metal, use a rubber grommet to prevent the wire's insulation from being cut by the metal edge of the hole.

### **DO NOT INSTALL IN LOCATIONS WITH HIGH MOISTURE OR DUST.**

Avoid installing the unit in locations with high incidence of moisture or dust. Moisture or dust that penetrates into this unit may result in product failure.

# Installation and Connections

## Precautions

---

- Be sure to disconnect the cable from the (-) battery post before installing your TME-M770. This will reduce any chance of damage to the unit in case of a short-circuit.
- Be sure to connect the color coded leads according to the diagram. Incorrect connections may cause the unit to malfunction or damage the vehicle's electrical system.
- When making connections to the car's electrical system, be aware of the factory installed components (e.g. on-board computer). Do not tap into these leads to provide power for this unit. When connecting the TME-M770 to the fuse box, make sure the fuse for the intended circuit of the TME-M770 has the appropriate amperage. Failure to do so may result in damage to the unit and/or the vehicle. When in doubt, consult your ALPINE dealer.
- The TME-M770 uses female RCA-type jacks for connection to other units having RCA connectors. You may need an adaptor to connect other units. If so, please contact your authorized ALPINE dealer for assistance.

## IMPORTANT

Please record the serial number of your unit in the space provided below and keep it as a permanent record. The serial number plate is located on the rear of the monitor or on the bottom of the AV interface unit.

SERIAL NUMBER: \_\_\_\_\_  
INSTALLATION DATE: \_\_\_\_\_  
INSTALLATION TECHNICIAN: \_\_\_\_\_  
PLACE OF PURCHASE: \_\_\_\_\_

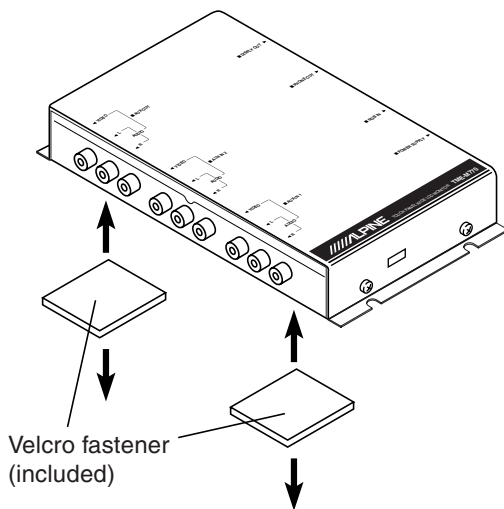
# Installation

## Installing AV Interface Unit

This Unit can be placed inside the trunk, on the kick panel of the front passenger's seat or underdash. However, to avoid unnecessary signal wiring, it is better to mount the Unit as close as possible to the Display.  
**DO NOT MOUNT THE INTERFACE UNIT IN LOCATIONS EXPOSED TO MOISTURE OR EXTREME HEAT** (such as the engine compartment).

### Velcro fastener Mounting:

1. Place a Velcro fastener onto the mounting surface. The rough side should be facing the unit.
2. Remove the backing to the adhesive on the Velcro strips. Press the unit onto the mounting location.



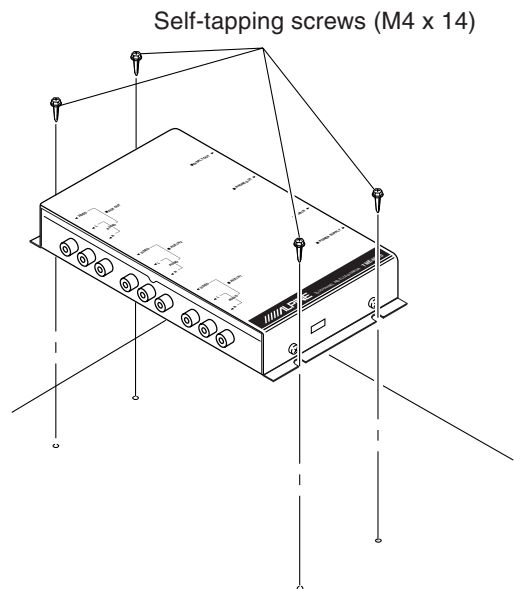
### Attaching with screws

1. Place the unit on the location chosen for installation.
2. Mark the screw locations using the unit as a template.
3. Drill a hole less than 3 mm in diameter.

### **WARNING**

**When you are drilling a hole in the car body, be careful not to damage pipes, tanks or electrical wiring etc.. It might cause an accident or a fire.**

4. Firmly attach the unit using 4 of the supplied self-tapping screws (M4 x 14).



# Installation and Connections

## Attaching the monitor and stand



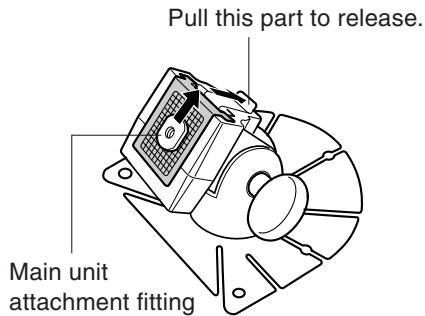
### CAUTION

Do not install the monitor near the front passenger seat air bag system.

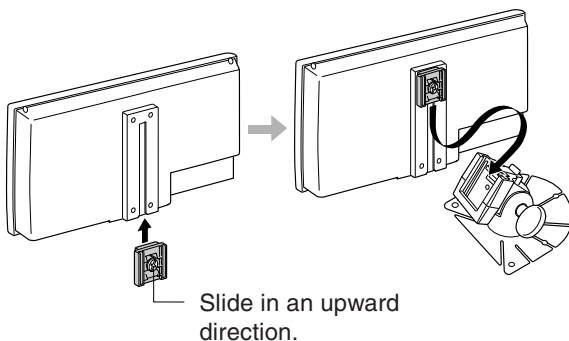
#### <Mount it using the supplied bracket>

- When mounting with other than the attached Mounting Bracket, use the attached L shape bracket depending on usage.

#### 1 Remove the main unit attachment fitting.

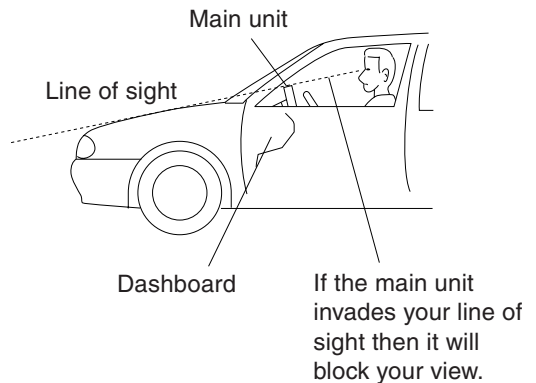
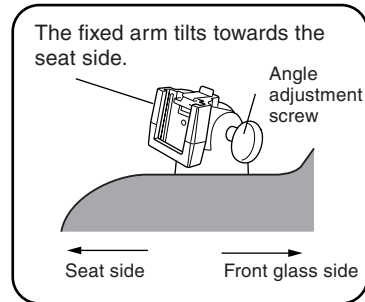


#### 2 Loosen the main unit attachment fitting with a coin etc., slide it into the track on the rear of the main unit and temporarily fasten it. Then fix it to the stand.



#### 3 Check the sticking position.

- Temporarily fasten the stand with gum tape.
- Loosen the adjustment screws, and adjust to a safe, viewable position.



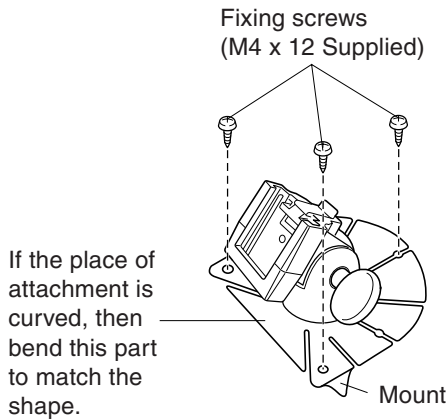
In order to use safely, attach to the following places.

- Stable and secure places.
- Places that will not have your view blocked by the main unit when driving.
- Places that you will not hit against if you lean forward while you wearing your seatbelt.
- Places where the main unit cannot hit against the steering wheel while driving.
- Be aware that if the surface of the dashboard is leather, wooden panel, stretched fabric or any non-resin based product, then the surface will be damaged when you remove the stand.
- Do not place the main unit directly in front of the air conditioner vents.



**4** Remove the main unit from the stand.

**5** Remove the mount from the stand and stick it to the dashboard etc..  
Remove any dirt on the place to install, using the supplied cloth.



- *If the temperature in the car is low (Winter), then first heat up the place where you are going to stick the mount with a hairdryer etc.*
- *Do not apply force to the mount, or expose to humidity, within 24 hours after attaching.*
- *If the mount is not firmly stuck, then we recommend that you attach with the supplied fixing screws.*

**6** Attach the main unit to the stand as shown in step 2.

Use the cable clamps to fix the cables.

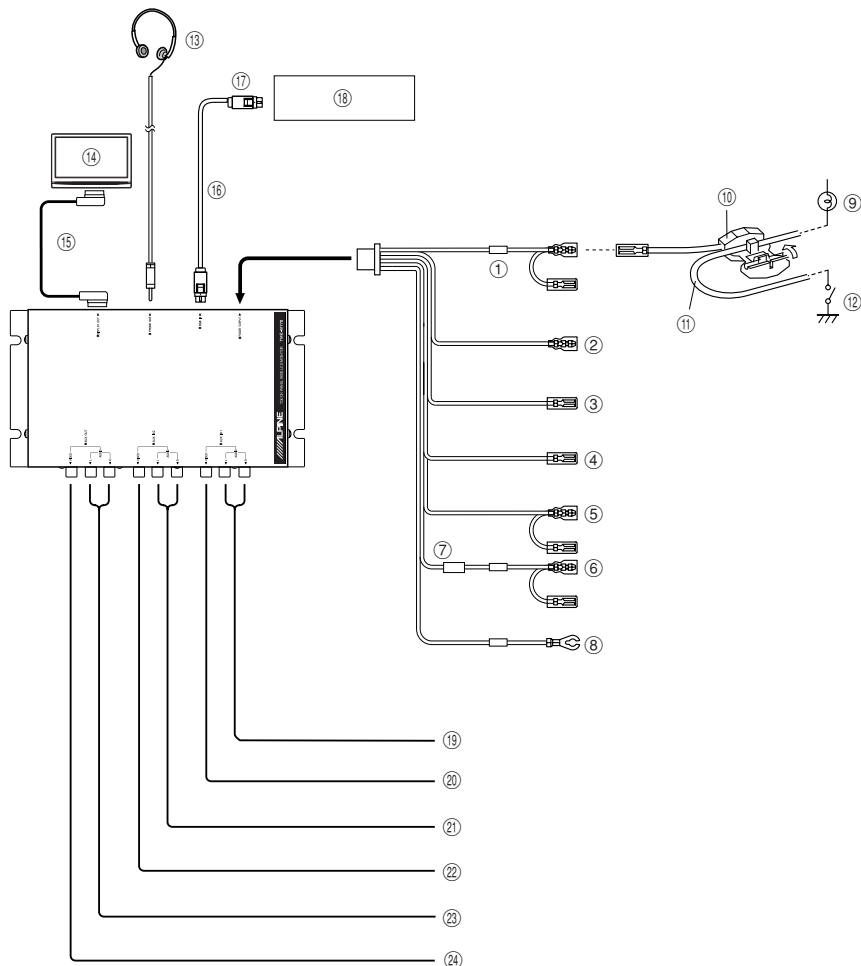
- *Before using, check that the main unit and the stand, and the stand and the place where it is attached to the car are fixed securely.*

# Installation and Connections

## Connections

Make connections correctly.  
Improper connections may cause a fire or operation failure.

### Basic connection



- ① **Parking brake lead (Yellow/Blue)**  
Connect this lead to the parking brake lead powered when parking brake is pulled.
- ② **Monitor control lead (White/Pink)**  
Connect when upgrading with touch panel compatible products such as the IVA-D300 series.
- ③④ **Remote control output lead (White/Brown)**  
To remote control input lead of ALPINE products used in the system.
- ⑤ **Reverse Lead (Orange/White)**  
Use only when a back-up camera is connected. Connect to the plus side of the car's reverse lamp that lights when the transmission is shifted into reverse (R).  
Switches the video picture to the back-up camera. This is linked with putting the car into reverse (R).
- ⑥ **ACC power lead (Red)**  
To ACC power lead powered when engine key position is ACC.
- ⑦ **Fuse (7.5A)**
- ⑧ **Ground lead (Black)**  
Connect the lead to a good chassis ground on the vehicle. Make sure the connection is made to bare metal and is securely fastened using the sheet metal screw provided.
- ⑨ **Brake Lamp**
- ⑩ **Brake Connector (Included)**
- ⑪ **Brake Signal Lead**
- ⑫ **Brake Switch**
- ⑬ **Headphone**
- ⑭ **Main monitor**
- ⑮ **Connection cable**
- ⑯ **RGB cable**
- ⑰ **To RGB output terminal**
- ⑱ **Made by Alpine navigation**
- ⑲ **Audio input connectors (AUX 1)**  
Use these connectors to input the audio signals from a DVD player, video deck etc.
- ⑳ **Video input connector (AUX 1)**  
Use this connector to input the video signals from a DVD player, video deck etc.
- ㉑ **Audio input connectors (AUX 2)**  
Use these connectors to input the audio signals from a DVD player, video deck etc.
- ㉒ **Video input connectors (AUX 2)**  
Use this connector to input the video signals from a DVD player, video deck etc.
- ㉓ **Audio output connectors**  
Use these connectors to output audio signals to a rear monitor, etc.
- ㉔ **Video output connector**  
Use this connector to output video signals to a rear monitor, etc.

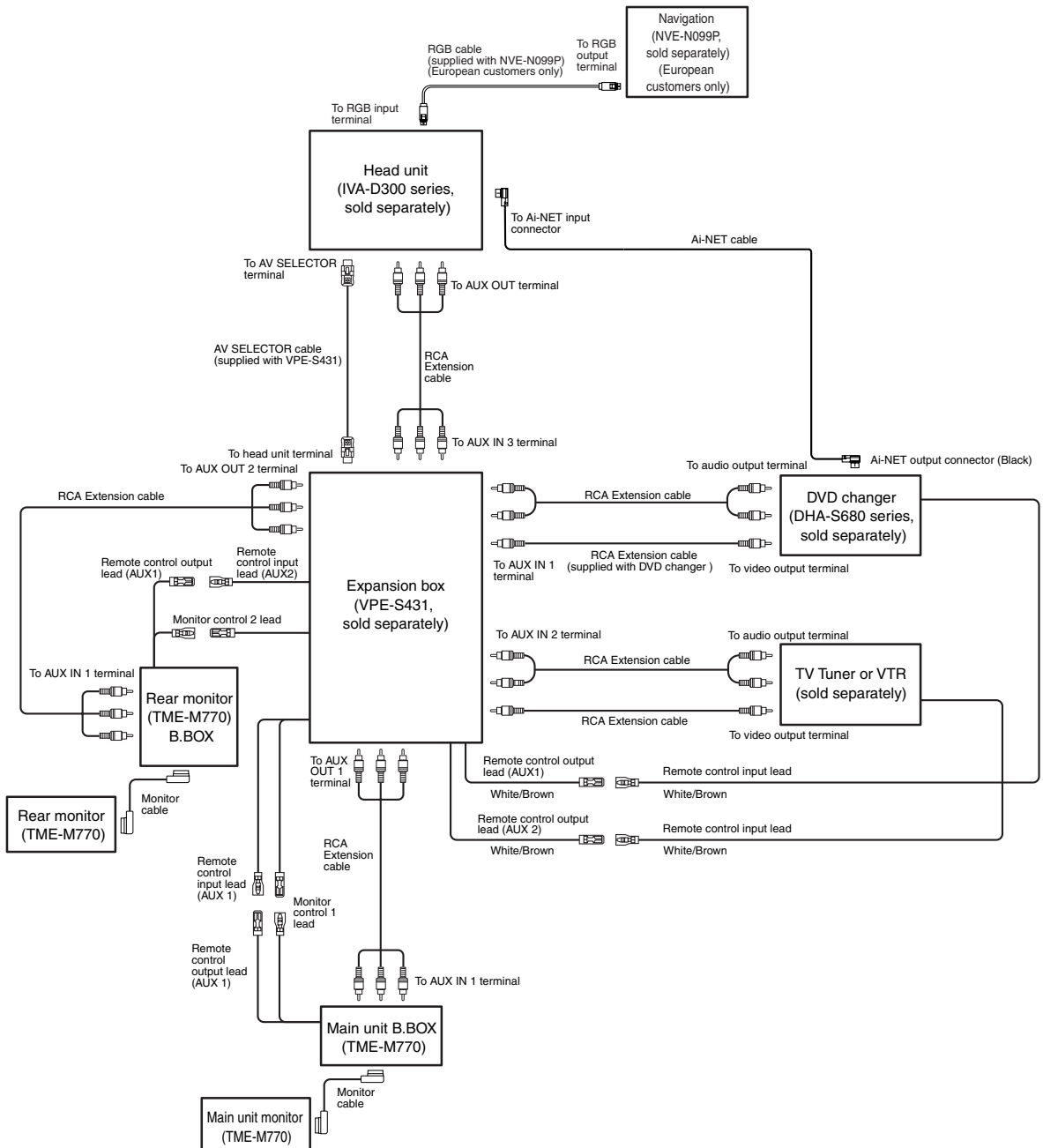
- *When connecting to an IVA-D300 series or VPE-S431, use the "AUX IN 1" connector. When connecting a rear view camera, use the "AUX IN 2".*

**To prevent external noise from entering the audio system.**

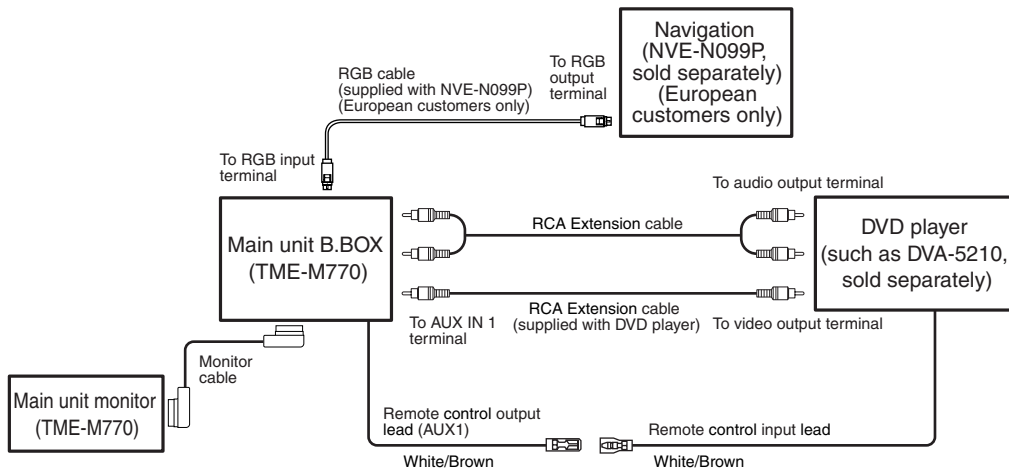
- Locate the unit and route the leads at least 10 cm away from the car harness.
- Keep the battery power leads as far away from other leads as possible.
- Connect the ground lead securely to a bare metal spot (remove the coating if necessary) of the car chassis.
- If you add an optional noise suppressor, connect it as far away from the unit as possible. Your Alpine dealer carries various Alpine noise suppressors, contact them for further information.
- Your Alpine dealer knows best about noise prevention measures so consult your dealer for further information.

# System Connections

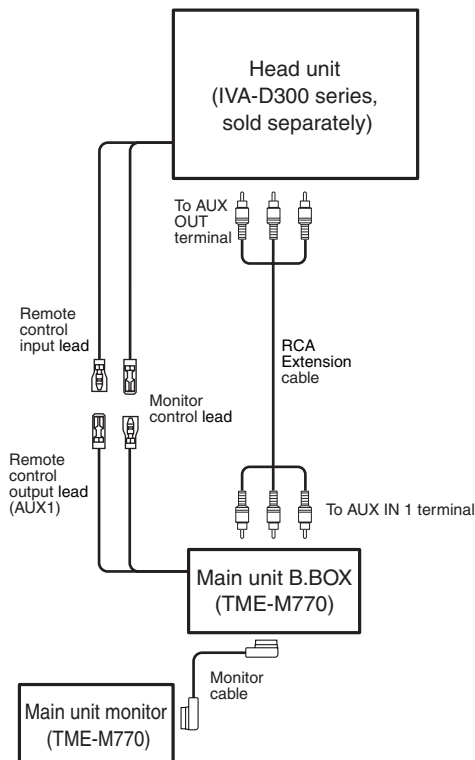
1) 2 main units + head unit (IVA-D300 series) + expansion box (VPE-S431) + navigation (NVE-N099P, European customers only) + DVD changer (DHA-S680 series) + TV Tuner



**2) Main unit + navigation (NVE-N099P, European customers only) + DVD player (such as DVA-5210)**



**3) Main unit and head unit (IVA-D300 series)**







Car Audio and Navigation Systems

# GERÄTE-PASS

AUDIO SYSTEME

Fahrzeugmarke: \_\_\_\_\_ Typ: \_\_\_\_\_

Amtl. Kennzeichen: \_\_\_\_\_

Name des Halters: \_\_\_\_\_

Straße: \_\_\_\_\_

Wohnort: \_\_\_\_\_

Bitte füllen Sie diesen Pass vollständig aus und bewahren Sie ihn außerhalb des Fahrzeugs auf:

Im Falle eines Diebstahls wird für Sie die Schadensabwicklung mit der Versicherung einfacher, und Sie erleichtern der Polizei die Fahndung nach den Tätern.

Händlerstemple

**Tipps der Polizei:**

- Stellen Sie Ihr Fahrzeug stets gut sichtbar ab.
- Verschließen Sie Türen, Fenster, Schiebedach und Kofferraum immer, auch bei nur kurzer Abwesenheit.
- Lassen Sie keine Wertsachen sichtbar im Auto liegen.
- Wird Ihr Fahrzeug aufgebrochen, wenden Sie sich sofort an die nächste Polizeidienststelle.
- Belassen Sie Ihr Fahrzeug nach einem Aufbruch im Originalzustand.
- Informieren Sie sich über technische Sicherungsmöglichkeiten bei einer kriminalpolizeilichen Beratungsstelle.

**Gerät 1**

Modell-Nr.:

Hersteller:

**Seriennummer:**

A	L																		
---	---	--	--	--	--	--	--	--	--	--	--	--	--	--	--	--	--	--	--

Kaufdatum: \_\_\_\_\_ Preis: \_\_\_\_\_





# Appendix

## Product Information Card

### English

Filling in this Product Information Card is voluntary. If you fill in this card and send it to Alpine, your data will be tabulated into reference data for future Alpine product development. In addition, in the future you may receive information about new products or Survey Mail requesting additional opinions about Alpine products or services. If you agree to the above term, please sign your name in the indicated space and return the card. Any additional comments or inquiries may be sent to : Person in charge of Customer Service department Alpine Electronics (Europe) GmbH.

Frankfurter Ring 117, 80807 München, Germany  
Phone: +49-(0)89-32 42 640

#### Q1. PRODUCT PURCHASED

1. Cassette Player
2. CD Player
3. MD Player
4. DVD Player
5. CD Changer
6. Amplifier
7. Speaker
8. Subwoofer
9. Monitor Controller
10. Video Monitor
11. Navigation
12. Processor/Equalizer
13. CD/Video CD Changer
14. Other\_\_\_\_\_

#### Q2. MODEL

NUMBER:\_\_\_\_\_

#### Q3. DATE OF PURCHASE:

Month:\_\_\_\_\_

Year:\_\_\_\_\_

#### Q4. If navigation system, which monitor?

1. Alpine → (Model No.)\_\_\_\_\_
2. Other → (Brand Name)\_\_\_\_\_

#### Q5. STORE TYPE WHERE PURCHASED:

1. Car Audio Specialist
2. Audio/Video Store
3. Electronics/Appliance Store
4. Car Accessories Shop
5. Other\_\_\_\_\_

#### Q6. Type of vehicle in which this unit is installed:

Make:\_\_\_\_\_ Model:\_\_\_\_\_

Purchased \_\_\_\_\_ Model \_\_\_\_\_

Year:\_\_\_\_\_ Year:\_\_\_\_\_

#### Q7. How was this vehicle purchased?

1. Purchase
2. Lease

#### Q8. Purpose of buying this unit?

1. Addition
  2. Replacement
- ↓
- Previous brand replaced?

1. Factory installed
2. Alpine
3. Other → (Brand Name)\_\_\_\_\_

#### Q9. Have you purchased Alpine products before?

1. First time
2. Two or More times

#### Q10. When you purchased this Alpine unit, did you compare it with other brand?

1. Yes → (Brand Name)\_\_\_\_\_
2. No.

#### Q11. GENDER

1. Male
2. Female

#### Q12. AGE \_\_\_\_\_

#### Q13. MARITAL STATUS

1. Single
2. Married

#### Q14. OCCUPATION

1. Company Owner/Self-employed/Freelance
2. Manager
3. Company Employee
4. Civil Servant
5. Educator
6. Student
7. Other\_\_\_\_\_

#### Q15. Comments \_\_\_\_\_

## Produkt- Informationskarte

### Deutsch

Das Ausfüllen dieser Produktinformations-Karte ist freiwillig. Sollten Sie diese Karte vervollständigen, so werden die Daten für zukünftige Produktentwicklungen von Alpine als Referenzdaten herangezogen. Ebenso können Sie in der Zukunft Informationen über neue Alpine Produkte erhalten oder uns auch Ihre Meinung über Alpine Produkte und Dienstleistungen im Rahmen von Kunden-Befragungen mitteilen. Stimmen Sie dem Kontakt durch Alpine zu, so würden wir Sie bitten, in dem dafür vorgesehenen Feld zu unterschreiben und die Karte kostenfrei an uns zurückzuschicken. Zusätzliche Kommentare und Meinungen können Sie gerne an den zuständigen Kontakt im Kundendienst Alpine Electronics (Europe) GmbH senden.

Frankfurter Ring 117, 80807 München, Germany  
Phone: 089-32 42 640

#### Q1. gekauftes Gerät

1. Kassetten-Spieler
2. CD-Spieler
3. MD-Spieler
4. DVD-Spieler
5. CD-Wechsler
6. Verstärker
7. Lautsprecher
8. Subwoofer
9. Monitor-Controller
10. Video-Monitor
11. Navigationssystem
12. Prozessor/Equalizer
13. CD/Video-CD-Wechsler
14. andere\_\_\_\_\_

#### Q2. Modellnummer:\_\_\_\_\_

#### Q3. Kaufdatum:

Monat:\_\_\_\_\_

Jahr:\_\_\_\_\_

#### Q4. Falls Navigationssystem: Welcher Monitor?

1. Alpine → (Modellnr.)\_\_\_\_\_
2. Anderer Hersteller → (Herstellername)\_\_\_\_\_

#### Q5. Art des Geschäfts, in dem Sie das Gerät gekauft haben:

1. Spezialist für Auto-Audioanlagen
2. Audio/Video-Geschäft
3. Elektro-Geschäft
4. Autozubehör-Geschäft
5. Anderer Hersteller\_\_\_\_\_

#### Q6. Art des Fahrzeugs, in das das Gerät installiert wurde:

Marke:\_\_\_\_\_ Modell:\_\_\_\_\_

gekauft im Jahr:\_\_\_\_\_ Baujahr:\_\_\_\_\_

#### Q7. Wie haben Sie das Fahrzeug gekauft?

1. Kauf
2. Leasing

#### Q8. Zweck des Kaufs dieses Geräts?

1. Zusätzlich
  2. Austausch
- ↓
- Marke des ausgetauschten Geräts?

1. Serienmäßige Ausstattung
2. Alpine
3. Anderer Hersteller → (Herstellername)\_\_\_\_\_

#### Q9. War dies das erste Mal, dass Sie ein Alpine-Gerät gekauft haben?

1. Erstes Mal
2. Zweites Mal oder öfter

#### Q10. Haben Sie dieses Alpine-Gerät vor dem Kauf mit Geräten anderer Hersteller verglichen?

1. Ja → (Herstellername)\_\_\_\_\_
2. Nein

#### Q11. Geschlecht

1. Männlich
2. Weiblich

#### Q12. Alter \_\_\_\_\_

#### Q13. Familienstand

1. Ledig
2. Verheiratet

#### Q14. Beruf

1. Selbständige/Firmeninhaber/ freiberuflich Tätige
2. Leitende Angestellte
3. Sonstige Angestellte
4. Beamte
5. Schulbildung
6. Studium
7. Sonstige\_\_\_\_\_

#### Q15. Kommentar: \_\_\_\_\_

## Carte d'informations sur le produit

### Français

En remplissant volontairement cette fiche, et en l'envoyant à Alpine, vous acceptez que ces informations soient utilisées par Alpine, dans le cadre de développement de nouveaux produits. Par ailleurs, vous autorisez Alpine à solliciter votre opinion par mailing sur de nouveaux produits ou services. Si vous acceptez les termes ci-dessus, veuillez signer cette carte à l'endroit indiqué, et nous la retourner. Tout autre commentaire ou demande doit être adressé à l'attention de: Responsable du service consommateur Alpine Electronics (Europe) GmbH, Frankfurter Ring 117, 80807 München, Germany Phone: +49-(0)89-32 42 640

#### Q1. PRODUIT ACHETE

1. Lecteur de cassette
2. Lecteur de CD
3. Lecteur MD
4. Lecteur DVD
5. Changeur de CD
6. Amplificateur
7. Haut-parleur
8. Haut-parleur de graves
9. Station Multimedia
10. Moniteur Vidéo
11. Navigation
12. Processeur/Egaliseur
13. Changeur de CD/CD Vidéo
14. Autre \_\_\_\_\_

#### Q2. NUMERO DU

MODELE: \_\_\_\_\_

#### Q3. DATE D'ACHAT:

Mois: \_\_\_\_\_  
Année: \_\_\_\_\_

#### Q4. Si c'est un système de navigation, quel moniteur?

1. Alpine → (N° du modèle) \_\_\_\_\_
2. Autre → \_\_\_\_\_ (Marque) \_\_\_\_\_

#### Q5. TYPE DE MAGASIN OU VOUS AVEZ ACHETE LE PRODUIT:

1. Spécialiste autoradio
2. Magasin audio/vidéo
3. Magasin d'électronique/appareils
4. Magasin d'accessoires automobiles
5. Autre \_\_\_\_\_

#### Q6. Type de véhicule dans lequel cet appareil est installé:

Marque: \_\_\_\_\_  
Modèle: \_\_\_\_\_  
Année \_\_\_\_\_ Année du d'achat: \_\_\_\_\_  
modèle: \_\_\_\_\_

#### Q7. Comment avez-vous acheté ce véhicule?

1. Achat
2. Location-bail

#### Q8. Pourquoi avez-vous acheté cet appareil?

1. Addition
  2. Remplacement
- ↓
- Marque précédente remplacée?

#### Q9. Aviez-vous déjà acheté des produits Alpine?

1. Première fois
2. Deux fois ou plus

#### Q10. Lorsque vous avez acheté ce produit Alpine, l'avez-vous comparé à une autre marque?

1. Oui → (Marque) \_\_\_\_\_
2. Non

#### Q11. SEXE

1. Masculin
2. Féminin

#### Q12. AGE \_\_\_\_\_

#### Q13. SITUATION DE FAMILLE

1. Célibataire
2. Marié

#### Q14. PROFESSION

1. Entrepreneur/Travailleur indépendant/Free-lance
2. Directeur
3. Employé de bureau
4. Fonctionnaire
5. Educateur
6. Etudiant
7. Autre \_\_\_\_\_

#### Q15. Commentaires \_\_\_\_\_

## Tarjeta de información del producto

### Español

El envío de la información solicitada es voluntario. Si Vd. nos la remite, será utilizada de modo confidencial para el desarrollo de futuros productos Alpine. Si Vd. desea recibir información sobre nuevos productos de nuestra gama, indique su nombre en el espacio designado y remitános la tarjeta. Cualquier solicitud adicional puede ser enviada a: Persona responsable del Servicio de Atención al Cliente de Alpine Electronics (Europe) GmbH, Frankfurter Ring 117, 80807 München, Germany Phone: +49-(0)89-32 42 640

#### Q8. ¿Propósito de comprar esta unidad?

1. Mejora del sistema
  2. Sustitución
- ↓
- ¿Sustitución de marca anterior?

1. Instalado en la fábrica
2. Alpine
3. Otros → (Nombre de marca) \_\_\_\_\_

#### Q9. ¿Ha comprado Vd. productos Alpine anteriormente?

1. Primera vez
2. Dos o más veces

#### Q10. Cuando usted compró esta unidad Alpine, ¿la comparó con otros fabricantes?

1. Si → (Nombre de marca) \_\_\_\_\_
2. No

#### Q11. SEXO

1. Masculino
2. Femenino

#### Q12. Edad \_\_\_\_\_

#### Q13. Estado civil

1. Soltero
2. Casado

#### Q14. Ocupación

1. Propietario de empresa/Autónomo/Profesional independiente
2. Gerente
3. Empleado de compañía
4. Empleado público
5. Profesor
6. Estudiante
7. Otros \_\_\_\_\_

#### Q15. Comentarios \_\_\_\_\_

#### Q1. Producto Comprado

1. Radio/Cassette
2. Radio/CD
3. Reproductor de MD
4. Reproductor de DVD
5. Cambiador de CD
6. Amplificador
7. Altavoz
8. Subwoofer
9. Monitor de control
10. Monitor de video
11. Sistema de navegación
12. Procesador/Ecuador
13. Cambiador de CD/Vídeo CD
14. Otros \_\_\_\_\_

#### Q2. Número de modelo: \_\_\_\_\_

#### Q3. Fecha de compra:

Mes: \_\_\_\_\_

Año: \_\_\_\_\_

#### Q4. En caso de sistema de navegación, ¿qué monitor?

1. Alpine → (N° de modelo) \_\_\_\_\_
2. Otros → (Nombre de marca) \_\_\_\_\_

#### Q5. TIPO DE TIENDA DONDE COMPRÓ:

1. Especialista en audio de automóviles
2. Tienda de audio/video
3. Tienda de electrónica/electrodomésticos
4. Tienda de accesorios automovilísticos
5. Otros \_\_\_\_\_

#### Q6. Tipo de vehículo en que la unidad está instalada:

Marca: \_\_\_\_\_  
Modelo: \_\_\_\_\_  
Año de compra: \_\_\_\_\_ Año del modelo: \_\_\_\_\_

#### Q7. ¿Cómo fue comprado este vehículo?

1. compra
2. Leasing

# Scheda informazioni prodotto

**Italiano**

La compilazione di questa formulario è volontaria. Se compilate questo formulario, ritornandolo ad Alpine, i Vostri dati saranno raccolti in un file di riferimento per lo sviluppo dei nuovi prodotti Alpine. In aggiunta Voi potrete ricevere in futuro informazioni riguardanti i nuovi prodotti o la richiesta di una Vostra opinione circa i prodotti o i servizi forniti da Alpine. Se siete d'accordo, Vi preghiamo di ritornarci il formulario compilato negli appositi spazi con i Vostri dati. In caso desideriate fornire altri commenti o richiedere informazioni aggiuntive, potete indirizzare il tutto a : Responsabile dipartimento Servizio Clienti Alpine Electronics (Europe) GmbH.  
Frankfurter Ring 117, 80807 München, Germany  
Phone: +49-(0)89-32 42 640

## Q1. PRODOTTO ACQUISTATO

1. Lettore di cassette
2. Lettore CD
3. Lettore MD
4. Lettore DVD
5. CD Changer
6. Amplificatore
7. Altoparlante
8. Subwoofer
9. Radio Monitor
10. Monitor video
11. Sistema di navigazione
12. Processore/equalizzatore
13. Cambia CD/Video CD
14. Altro\_\_\_\_\_

## Q2. NUMERO

MODELLO:\_\_\_\_\_

## Q3. DATA DI ACQUISTO:

Mese:\_\_\_\_\_

Anno:\_\_\_\_\_

## Q4. In caso di acquisto di un sistema di navigazione, quale monitor possiede?

1. Alpine → (No. Modello)\_\_\_\_\_

2. Altro → Nome marca\_\_\_\_\_

## Q5. NEGOZIO DI ACQUISTO:

1. Specialista Car Stereo
2. Negozio di audio/video
3. Negozio di elettronica/elettrodomestici
4. Negozio accessori automobile
5. Altro\_\_\_\_\_

## Q6. Tipo di veicolo posseduto:

Marca:\_\_\_\_\_

Modello:\_\_\_\_\_

Anno \_\_\_\_\_ Anno

acquisto:\_\_\_\_\_

modello:\_\_\_\_\_

## Q7. Modalità acquisto

1. Acquisto
2. Leasing

## Q8. Scopo acquisto

1. Aggiunta

2. Sostituzione

↓

- Marca sostituita
- 1. Installato di fabbrica
- 2. Alpine
- 3. Altro → (Nome marca)\_\_\_\_\_

## Q9. Avevate già acquistato prodotti Alpine?

1. No

2. Due o tre volte

## Q10. Nell'acquistarlo, avete paragonato questo prodotto ad un'altra marca?

1. Si → (Nome marca)\_\_\_\_\_

2. No

## Q11. SESSO

1. Maschile

2. Femminile

## Q12. ETA\_\_\_\_\_

## Q13. STATO CIVILE

1. Celibe/nubile

2. Coniugato/coniugata

## Q14. LAVORO

1. Proprietario di azienda/artigiano/libero professionista

2. Manager

3. Impiegato

4. Impiegato statale

5. Insegnante

6. Studente

7. Altro\_\_\_\_\_

## Q15. Commenti\_\_\_\_\_

- ◆ I agree to the above stated terms of the Alpine Product Information Card.
- ◆ Ich stimme dem Kontakt durch Alpine für Informations- und Befragungszwecke zu.
- ◆ J'accepte les termes de cette carte d'information produit Alpine.
- ◆ Estoy conforme con los términos de la tarjeta de información sobre producto de Alpine.
- ◆ Accetto i termini della scheda informazioni prodotti Alpine.

\_\_\_\_\_ (Date/Datum/Date/Fecha/Data)

\_\_\_\_\_ (Signature/Unterschrift/Signature/Firma)

**Name/Nom/Nombre/Nome**

\_\_\_\_\_ (First Name/Vorname/Prénom/Primer nombre/Nome)

\_\_\_\_\_ (Surname/Familiennome/Nom de famille/Apellido/Cognome)

\_\_\_\_\_ (Surname/Familiennome/Nom de famille/Apellido/Cognome)

**Home Address/Privatanschrift/Adresse/Dirección/Indirizzo**

\_\_\_\_\_ (Street/Straße/Rue/Calle/Via) (Post Code/Postleitzahl/Code postal/Código postal/Codice postale)

\_\_\_\_\_ (Town/City/Stadt/Ville/Ciudad/Città) (Country/Land/Pays/Pais/Paese)

\_\_\_\_\_ (Town/City/Stadt/Ville/Ciudad/Città) (Country/Land/Pays/Pais/Paese)

**Telephone Number:** \_\_\_\_\_

**E-Mail/Correo electrónico:** \_\_\_\_\_

**Q1** NO. \_\_\_\_\_  
Other \_\_\_\_\_

**Q2** \_\_\_\_\_

**Q3** Month \_\_\_\_\_ Year \_\_\_\_\_

**Q4** NO.1. Model No. \_\_\_\_\_  
NO.2. Brand Name \_\_\_\_\_

**Q5** NO. \_\_\_\_\_  
Other \_\_\_\_\_

**Q6** Make: \_\_\_\_\_ Model: \_\_\_\_\_  
Purchased Year: \_\_\_\_\_ Model Year: \_\_\_\_\_

**Q7** NO. \_\_\_\_\_

**Q8** NO. 1 Previous brand replaced. Brand Name \_\_\_\_\_  
2 1. 2. 3.

**Q9** NO. \_\_\_\_\_

**Q10** 1 Brand Name \_\_\_\_\_  
NO. 2 \_\_\_\_\_

**Q11** NO. \_\_\_\_\_

**Q12** \_\_\_\_\_ years old

**Q13** NO. \_\_\_\_\_

**Q14** NO. \_\_\_\_\_  
Other \_\_\_\_\_

**Q15** Comments \_\_\_\_\_  
\_\_\_\_\_

**LUFTPORT**  
PAR AVION  
PRIORITAIRE

NE PAS AFFRANCHIR  
NICHT FREIMACHEN  
NO STAMP REQUIRED

---

REPONSE PAYEE/ WERBEANTWORT  
ALLEMAGNE

---

ALPINE ELECTRONICS (EUROPE) GmbH  
Frankfurter Ring 117, 80807 München,  
Germany

## Free Manuals Download Website

<http://myh66.com>

<http://usermanuals.us>

<http://www.somanuals.com>

<http://www.4manuals.cc>

<http://www.manual-lib.com>

<http://www.404manual.com>

<http://www.luxmanual.com>

<http://aubethermostatmanual.com>

Golf course search by state

<http://golfingnear.com>

Email search by domain

<http://emailbydomain.com>

Auto manuals search

<http://auto.somanuals.com>

TV manuals search

<http://tv.somanuals.com>