

X009-U UNIVERSAL 9" INSTALLATION KIT

Kit Assembly Instructions

NOTE: This Universal Mounting Kit is intended for custom vehicle installation by professional installers with advanced fabrication skills. It is not intended to be a simple bolt-in installation. Additional parts and materials may be required.



Introduction

- Design and specifications are subject to change without notice for improvement.





To Ensure Safe Use, Always Follow These Precautions

- The installation of this product requires specialized skills and experience. We recommend that you have the product installed by the store that you purchased it from.
- Before you use this product, be sure to carefully read this installation manual and the separate user's manual so that you can use the product correctly. Alpine Electronics bears no responsibility for problems that arise as a result of failure to follow the instructions in the manuals.
- This manual includes a number of symbols that are intended to help you use the product safely, to prevent harm to you and others, and to protect against damage to property. These symbols and their meanings are listed below. Make sure you fully understand these symbols before you begin reading the main text.

Explanations of Injury and Damage That May Result from Incorrect Use

 Warning	Ignoring the content marked by this indication and using the product incorrectly is expected to lead to death or serious injury.
 Caution	Ignoring the content marked by this indication and using the product incorrectly is only expected to lead to injury or property damage.

Types of Precautions

 Forbidden	Indicates actions that are forbidden (must not be performed)	 Mandatory	Indicates actions that are mandatory (must be performed)
 Forbidden	Indicates that disassembly is forbidden.		Marks content that should receive your full attention.

 **Warning**

Do not disassemble or modify the product. Doing so could lead to an accident, fire, or electric shock.



Forbidden

Store screws and other small objects where small children cannot reach them. If one of these small objects is swallowed, consult with a doctor immediately.



When replacing fuses, be sure to use fuses with the specified current rating. Failing to do so could lead to an accident or fire.



Forbidden



Mandatory

Only connect the product to a 12 VDC negative ground car. Failing to do so could lead to an accident or fire.



Mandatory

Before you begin wiring, remove the ground wire from the negative terminal of the battery. Failing to do so could lead to electric shock or injury.



Do not cut the insulation on a cord and take power from another device. Doing so could lead to fire or electric shock.



Forbidden

Do not install the product in a location where it will obstruct the driver's forward view; interfere with the operation of the steering wheel, gearshift, or the like; or pose a threat to passengers. Doing so could lead to an accident or injury.



Forbidden

When making a hole in the vehicle body, be careful to avoid damaging pipes, the fuel tank, electrical wiring, and the like. This kind of damage could lead to an accident or fire.



When installing and grounding the product, do not use any of the bolts or nuts of the steering wheel, brakes, fuel tank, or the like. Doing so could make the brakes stop working or lead to fire.



Forbidden

Do not install the product near the passenger-side airbag. Doing so could interfere with the operation of the airbag and lead to an accident or injury.



Forbidden

Bundle cords so that they don't interfere with driving. Wrapping cords around the steering wheel, gearshift, brake pedal, or the like, could lead to an accident or damage equipment.



 Caution

Connect the product properly according to the instructions. Failing to do so could lead to fire or an accident.



Forbidden

Do not sandwich cords between the seat railing or allow them to touch protrusions. Resulting breaks or shorts could lead to electric shock or fire.



Do not block vents or heat sinks. Doing so could lead to fire or damage equipment.



Use the accessories according to the instructions, and attach them securely. Failing to do so could lead to an accident or damage equipment.



Forbidden

Do not install the product where it may be exposed to water or in a place with high levels of humidity or dust. Doing so could lead to fire or damage equipment.



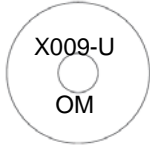
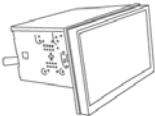
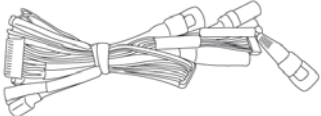
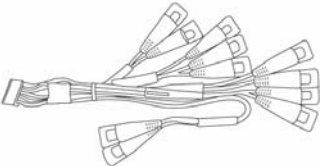

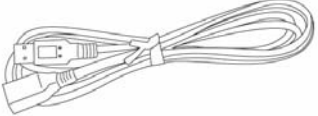



Forbidden

The installation and wiring of this product requires specialized skills and experience. Have the product installed and wired by the store that you purchased it from.

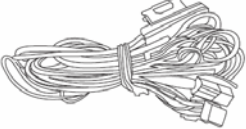
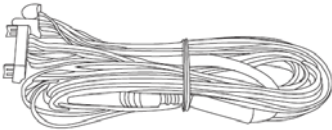

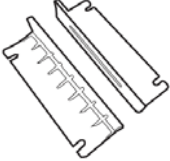
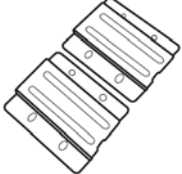
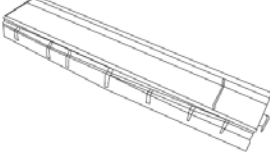

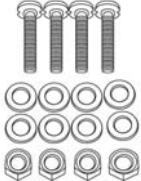



Accessory List

Head Unit Box Parts (X009)

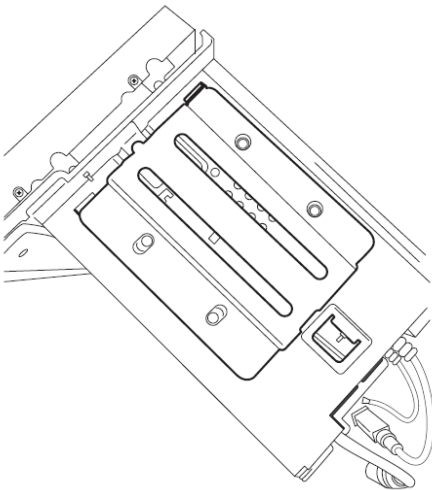
Owner's manual disc	X009 Head Unit	X009 Camera Harness
		
AUX/Pre Out Harness	GPS Antenna	USB Extension Cable
		
8mm x 8 Screws	Quick Reference Guides	Registration Cards
	 <p data-bbox="576 1016 639 1064">QRG Audio</p> <p data-bbox="733 1016 796 1064">QRG Navigation</p>	 <p data-bbox="976 1016 1043 1045">Alpine Registration Card</p> <p data-bbox="1148 1016 1215 1045">NAVTEQ Registration Card</p>

Universal Installation Kit Parts (G-KTX-009-U)

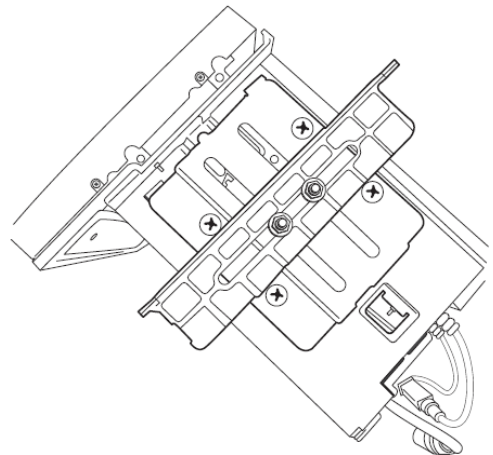
Head Unit Power Harness	Key Harness	Bluetooth Microphone
		
Vehicle Mounting Brackets	Head Unit Mounting Brackets	Key Panel
		
Universal Trim Bezel	Bracket Mounting Hardware	Key Panel Mounting Screws
		

Kit Assembly Process

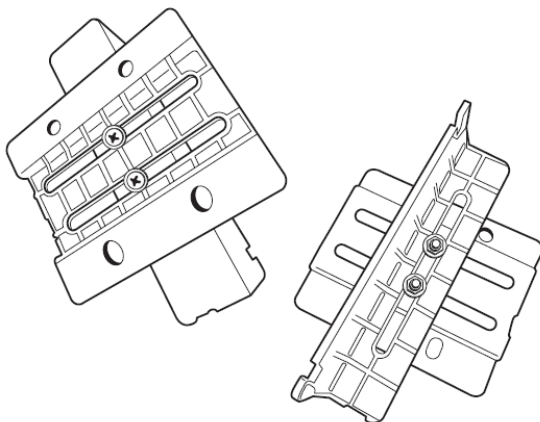
- 1 Place the radio brackets on the radio and note the positioning of the holes. The larger slotted holes should be on the bottom side of the radio as shown.



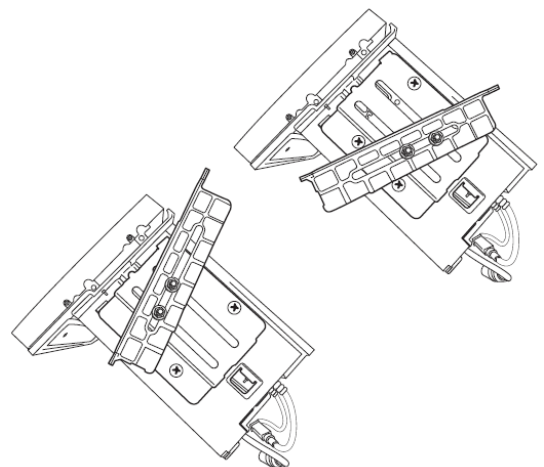
- 3 Bolt the assembled brackets to the radio chassis using the supplied 8mm screws.



- 2 Assemble the radio and vehicle side brackets using the supplied bracket screws and washers. Tighten these bolts just enough so that the brackets can be repositioned if necessary.

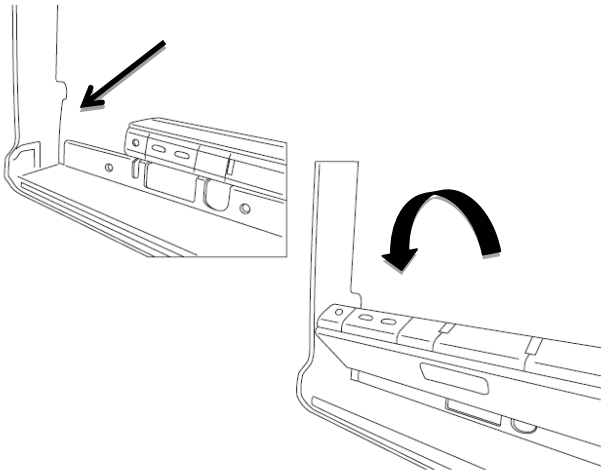


- 4 Note that the vehicle-side brackets allow for easy radio position adjustment during installation.

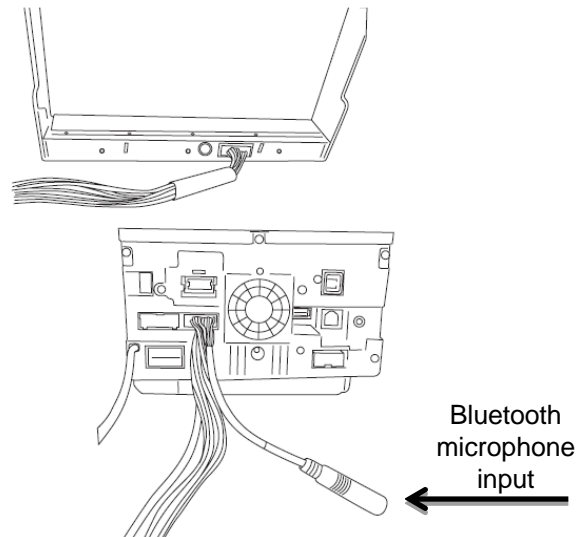


Kit Assembly Process (continued)

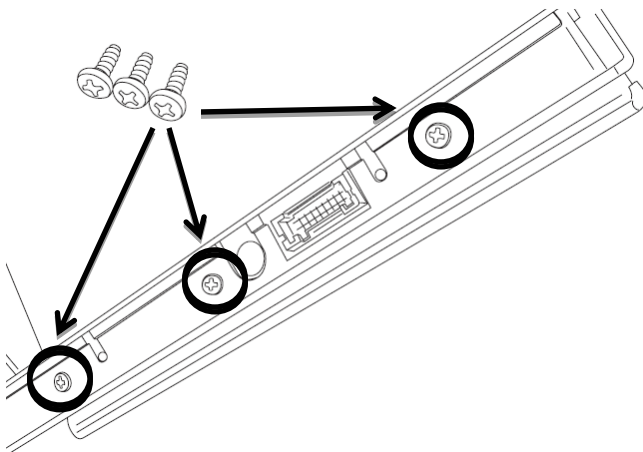
- 5 Attach the key panel into the bezel using the guides on both sides. Turn the keys towards the front until they snap into place.



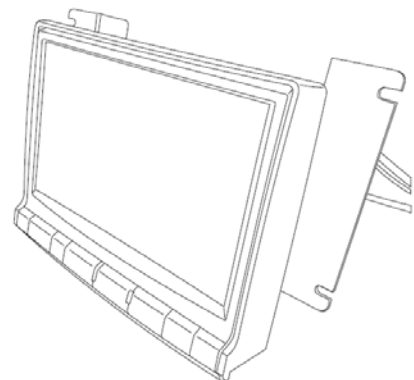
- 7 Plug in the key connection harness with the "external key unit" label to the key unit and the 3.5mm "MIC IN" pig tail to the head unit. Note the pigtail connection for the included Bluetooth microphone.



- 6 Secure the key panel to the bezel using the three key panel screws provided in the kit.



- 8 Now the Universal Installation Kit is assembled and ready for custom installation in the vehicle. Note that trimming and drilling of the mounting brackets may be required for proper installation of this kit*.



*Note: Any modifications to the mounting bracket may void the bracket's warranty. Contact Alpine tech support at 1-800-TECH101 if you need assistance.

Free Manuals Download Website

<http://myh66.com>

<http://usermanuals.us>

<http://www.somanuals.com>

<http://www.4manuals.cc>

<http://www.manual-lib.com>

<http://www.404manual.com>

<http://www.luxmanual.com>

<http://aubethermostatmanual.com>

Golf course search by state

<http://golfingnear.com>

Email search by domain

<http://emailbydomain.com>

Auto manuals search

<http://auto.somanuals.com>

TV manuals search

<http://tv.somanuals.com>