



# Blackbird Docking Adapter PMD-DOK2

## • INSTALLATION/OWNER'S MANUAL

Please read this manual to maximize your enjoyment of the outstanding performance and feature capabilities of the equipment, then retain the manual for future reference.

### IMPORTANT

Please record the serial number of your unit in the space provided below and keep it as a permanent record. The serial number plate is located on the bottom of the unit.

SERIAL NUMBER:	_____
INSTALLATION DATE:	_____
INSTALLATION TECHNICIAN:	_____
PLACE OF PURCHASE:	_____

**ALPINE ELECTRONICS, INC.**  
Tokyo office:  
1-1-8 Nishi Gotanda Shinagawa-ku  
Tokyo 141-0031, Japan  
Tel.: 03-3494-1101

**ALPINE ELECTRONICS MARKETING, INC.**  
1-1-8 Nishi Gotanda, Shinagawa-ku,  
Tokyo 141-0031, Japan  
Tel.: 03-5496-8231

**ALPINE ELECTRONICS OF AMERICA, INC.**  
19145 Gramercy Place  
Torrance, California 90501 U.S.A.  
Tel.: 1-800-ALPINE-1 (1-800-257-4631)

**ALPINE ELECTRONICS OF CANADA, INC.**  
7300 Warden Ave. Suite 203, Markham,  
Ontario L3R 9Z6, Canada  
Tel.: 1-800-ALPINE-1 (1-800-257-4631)

**ALPINE ELECTRONICS OF AUSTRALIA PTY. LTD.**  
161-165 Princes Highway, Hallam  
Victoria 3803, Australia  
Tel.: 03-8787-1200

**ALPINE ELECTRONICS GMBH**  
Frankfurter Ring 117  
80807 München, Germany  
Tel.: 089-32 42 640

**ALPINE ITALIA S.P.A.**  
Viale C. Colombo 8,  
20090 Trezzano Sul  
Naviglio (MI), Italy  
Tel.: 02-484781

**ALPINE ELECTRONICS  
(BENELUX) GMBH**  
Leuvensesteenweg 510-B6,  
1930 Zaventem, Belgium  
Tel.: 02-725 1315

**ALPINE ELECTRONICS FRANCE S.A.R.L.**  
(RCS PONTOISE B 338 101 280)  
98, Rue de la Belle Etoile,  
Z.I. Paris Nord II,  
B.P. 50016,  
95945 Roissy Charles de Gaulle Cedex,  
France  
Tel.: 01-48638989

**ALPINE ELECTRONICS OF U.K., LTD.**  
Alpine House  
Fletchamstead Highway,  
Coventry CV4 9TW, United Kingdom  
Tel.: 0870-33 33 763

**ALPINE ELECTRONICS DE ESPAÑA, S.A.**  
Portal de Gamarra 36, Pabellón, 32  
01013 Vitoria (Alava).  
APDO 133, Spain  
Tel.: 945-283588

### Points to Observe for Safe Usage

- Read this manual carefully before starting operation and use this system safely. We cannot be responsible for problems resulting from failure to observe the instructions in this manual.
- This manual uses various pictorial displays to show how to use this product safely and to avoid harm to yourself and others and damage to your property. Here is what these pictorial displays mean. Understanding them is important for reading this manual.

#### • Meaning of displays

	This label is intended to alert the user to the presence of important operating instructions. Failure to heed the instructions will result in severe injury or death.
	This label is intended to alert the user to the presence of important operating instructions. Failure to heed the instructions can result in injury or material damage.

### Warning

#### DO NOT DISASSEMBLE OR ALTER.

Doing so may result in an accident, fire or electric shock.

#### USE ONLY IN CARS WITH A 12 VOLT NEGATIVE GROUND.

(Check with your dealer if you are not sure.) Failure to do so may result in fire, etc.

#### DO NOT SPLICE INTO ELECTRICAL CABLES.

Never cut away cable insulation to supply power to other equipment. Doing so will exceed the current carrying capacity of the wire and result in fire or electric shock.

#### DO NOT INSTALL IN LOCATIONS WHICH MIGHT HINDER VEHICLE OPERATION, SUCH AS THE STEERING WHEEL OR GEARSHIFT.

Doing so may obstruct forward vision or hamper movement etc. and result in serious accident.

#### DO NOT ALLOW CABLES TO BECOME ENTANGLED IN SURROUNDING OBJECTS.

Arrange wiring and cables in compliance with the manual to prevent obstructions when driving. Cables or wiring that obstruct or hang up on places such as the steering wheel, gear lever, brake pedals, etc. can be extremely hazardous.

#### MAKE THE CORRECT CONNECTIONS.

Failure to make the proper connections may result in fire or product damage.

### Caution

#### USE SPECIFIED ACCESSORY PARTS AND INSTALL THEM SECURELY.

Be sure to use only the specified accessory parts. Use of other than designated parts may damage this unit internally or may not securely install the unit in place. This may cause parts to become loose resulting in hazards or product failure.

#### DO NOT INSTALL IN LOCATIONS WITH HIGH MOISTURE OR DUST.

Avoid installing the unit in locations with high incidence of moisture or dust. Moisture or dust that penetrates into this unit may result in product failure.

#### HAVE THE WIRING AND INSTALLATION DONE BY EXPERTS.

The wiring and installation of this unit requires special technical skill and experience. To ensure safety, always contact the dealer where you purchased this product to have the work done.

#### ARRANGE THE WIRING SO IT IS NOT CRIMPED OR PINCHED BY A SHARP METAL EDGE.

Route the cables and wiring away from moving parts (like the seat rails) or sharp or pointed edges. This will prevent crimping and damage to the wiring. If wiring passes through a hole in metal, use a rubber grommet to prevent the wire's insulation from being cut by the metal edge of the hole.

## LIMITED WARRANTY

ALPINE ELECTRONICS OF AMERICA, INC. AND ALPINE OF CANADA INC. ("Alpine"), are dedicated to quality craftsmanship and are please to offer this Warranty. We suggest that you read it thoroughly. Should you have any questions, please contact your Dealer or Alpine at one of the telephone numbers listed below.

### ●PRODUCTS COVERED:

This Warranty covers Car Audio/Visual Products and Related Accessories ("the product"). Products purchased in the Canada are covered only in Canada. Products purchased in the U.S.A. are covered only in the U.S.A.

### ●LENGTH OF WARRANTY:

This Warranty is in effect for one year from the date of the first consumer purchase.

### ●WHO IS COVERED:

This Warranty only covers the original purchaser of the product, who must reside in the United States, Puerto Rico or Canada.

### ●WHAT IS COVERED:

This Warranty covers defects in materials or workmanship (parts and labor) in the product.

### ●WHAT IS NOT COVERED:

This Warranty does not cover the following:

- ① Damage occurring during shipment of the product to Alpine for repair (claims must be presented to the carrier).
- ② Damage caused by accident, abuse, negligence, misuse, improper connections, improper operation or failure to follow instructions contained in the Owner's Manual.
- ③ Damage caused by act of God, including without limitation, earthquake, fire, flood, storms or other acts of nature.
- ④ Any cost or expense related to the removal or reinstallation of the product.
- ⑤ Service performed by an unauthorized person, company or association.
- ⑥ Any product which has the serial number defaced, altered or removed.
- ⑦ Any product which has been adjusted, altered or modified without Alpine's consent.
- ⑧ Any product not distributed by Alpine within the United States, Puerto Rico or Canada.
- ⑨ Any product not purchased from an Authorized Alpine Dealer.
- ⑩ Any product that has been determined to contain an excessive amount of dust or dirt and any product that contains other contaminants including liquid or foreign objects.

### ●HOW TO OBTAIN WARRANTY SERVICE:

- ① You are responsible for delivery of the product to an Authorized Alpine Service Center or Alpine for repair and for payment of any initial shipping charges. Alpine will, at its option, repair or replace the product with a new or reconditioned product without charge. If the repairs are covered by the warranty, and if the product was shipped to an Authorized Alpine Service Center or Alpine, Alpine will pay the return shipping charges.
- ② You should provide a detailed description of the problem(s) for which service is required.

③ You must supply proof of your purchase of the product.

④ You must package the product securely to avoid damage during shipment.

### ●HOW WE LIMIT IMPLIED WARRANTIES:

ANY IMPLIED WARRANTIES INCLUDING FITNESS FOR USE AND MERCHANTABILITY ARE LIMITED IN DURATION TO THE PERIOD OF THE EXPRESS WARRANTY SET FORTH ABOVE AND NO PERSON IS AUTHORIZED TO ASSUME FOR ALPINE ANY OTHER LIABILITY IN CONNECTION WITH THE SALE OF THE PRODUCT.

### ●HOW WE EXCLUDE CERTAIN DAMAGES:

ALPINE EXPRESSLY DISCLAIMS LIABILITY FOR INCIDENTAL AND CONSEQUENTIAL DAMAGES CAUSED BY THE PRODUCT. THE TERM "INCIDENTAL DAMAGES" REFERS TO, BUT IS NOT LIMITED TO, EXPENSES OF TRANSPORTING THE PRODUCT TO THE ALPINE SERVICE CENTER, LOSS OF THE ORIGINAL PURCHASER'S TIME, LOSS OF THE USE OF THE PRODUCT, BUS FARES, CAR RENTALS OR OTHERS COSTS RELATING TO THE CARE AND CUSTODY OF THE PRODUCT. THE TERM "CONSEQUENTIAL DAMAGES" REFERS TO, BUT IS NOT LIMITED TO, THE COST OF REPAIRING OR REPLACING OTHER PROPERTY WHICH IS DAMAGED WHEN THIS PRODUCT DOES NOT WORK PROPERLY. THE REMEDIES PROVIDED UNDER THIS WARRANTY ARE EXCLUSIVE AND IN LIEU OF ALL OTHERS.

### ●HOW STATE/PROVINCIAL LAW RELATES TO THE WARRANTY:

This Warranty gives you specific legal rights, and you may also have other rights which vary from state to state and province to province. In addition, some states/provinces do not allow limitations on how long an implied warranty lasts, and some do not allow the exclusion or limitation of incidental or consequential damages. Accordingly, limitations as to these matters contained herein may not apply to you.

### ●IN CANADA ONLY:

This Warranty is not valid unless your Alpine car audio product has been installed in your vehicle by an Authorized Installation Center, and this warranty stamped upon installation by the installation center.

### ●HOW TO CONTACT CUSTOMER SERVICE:

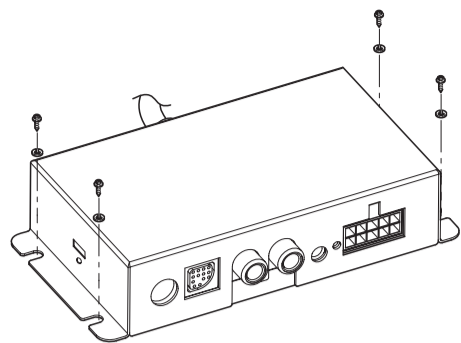
Should the product require service, please call the following number for your nearest Authorized Alpine Service Center.

**U.S.A. 1-888-NAV-HELP (1-888-628-4357)**  
**CANADA 1-888-NAV-HELP (1-888-628-4357)**

**Alpine Electronics of America, Inc.,**  
19145 Gramercy Place, Torrance, California 90501, U.S.A.

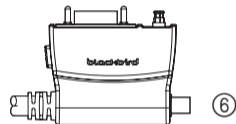
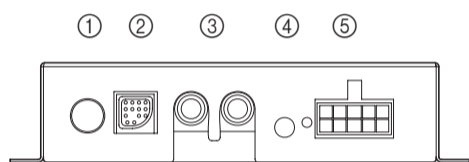
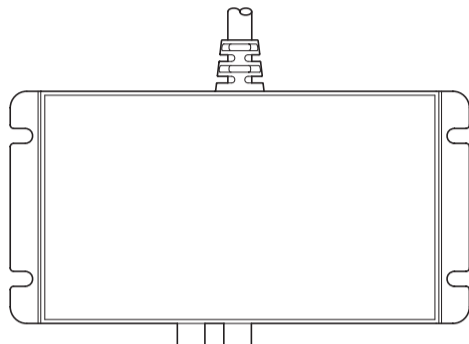
**Alpine Electronics of Canada, Inc.,**  
777 Supertest Road, Toronto, Ontario, M3J 2M9, Canada

## Installation



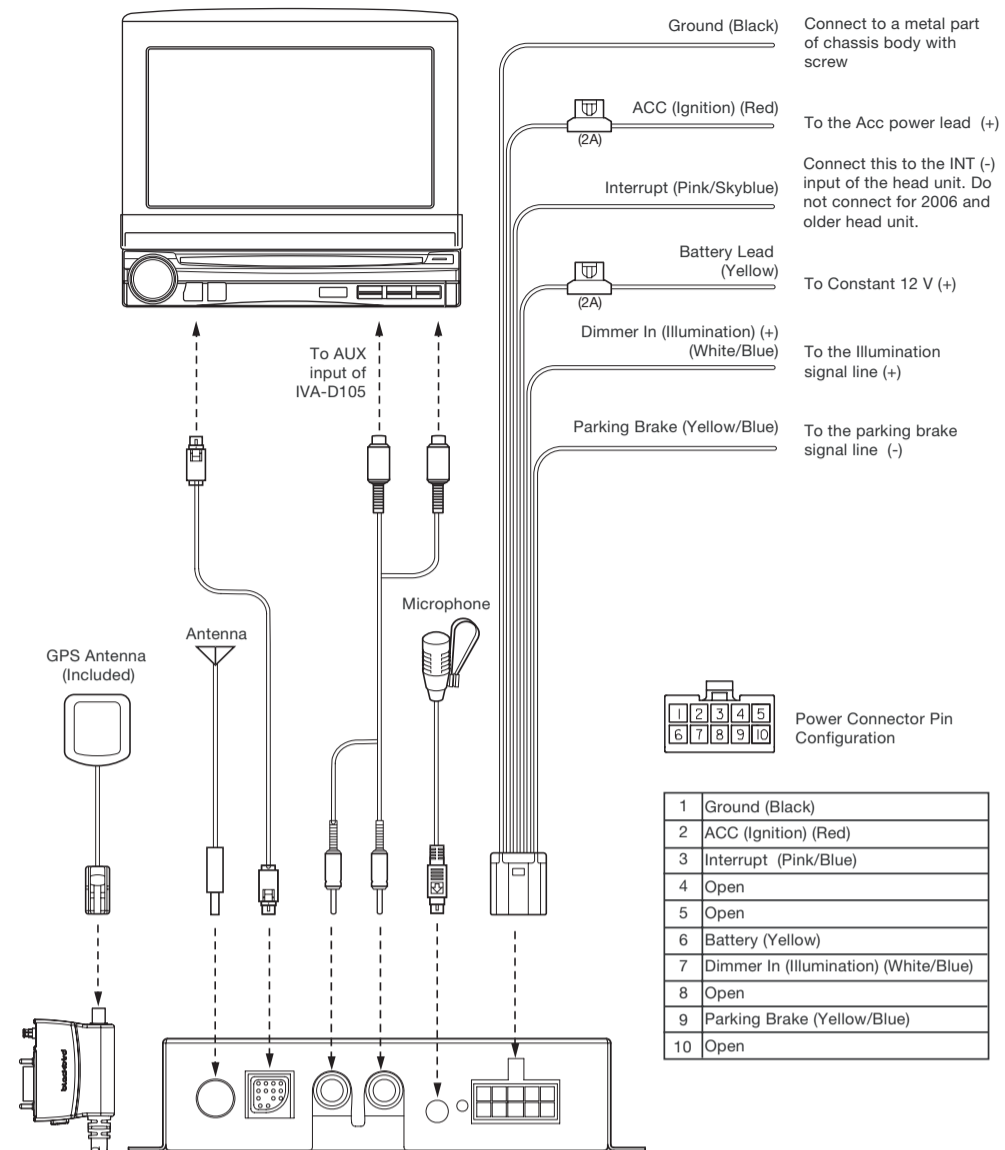
- To protect against vehicle noise, leave a space of 10 to 20 cm between the vehicle wiring and wiring for the Docking Adapter when installing.
- The Docking Adapter should be mounted in a convenient location using the mounting screws provided.

## Connections



- ANTENNA INPUT (OPTIONAL)**  
FM antenna input (RDS-TMC traffic tuner reception). Optional film antenna (KAE-350FM) available. See your dealer for details.
- DISPLAY (RGB Output)**  
Connects to the display connector of Alpine Multimedia Station.
- AUDIO OUTPUT**  
Connects to aux input of Alpine Multimedia Station (RCA not included).
- MICROPHONE**  
External microphone (included) input
- POWER**  
Connects 10 pin power input harness.
- GPS ANTENNA**  
GPS antenna is located on the connector to the Blackbird

## Wiring Diagram With IVA-D105



## Operating Blackbird from the Multimedia Station (using IVA-D105 as an example)

- Connect Blackbird to the Docking Adapter, with Blackbird turned off.
- Power on the Multimedia Station and select Navigation as Source.
- Press **SOURCE** and select **AUX** as input.
- Press **V.SEL** and select Navigation as video source.

- Using **V.SEL**, you can still use functions of the Multimedia Station while Blackbird is on the screen.
- Blackbird's music feature is also available from the Navi menu. See Blackbird Owner's Manual for more details.

Note: Please ensure your Blackbird is turned OFF before connecting to the docking adapter. In the event navigation does not display on the Multimedia Station screen, please reset the Blackbird.

## Specifications

- External dimensions ..... 138(w) x 30 (h) x 70 (d) mm
- Weight ..... 0.8 Lb ( 360 g)
- Included in the box:
  - PMD-DOK2 Docking Adapter ..... 1
  - 10 pin Power harness (5 m/ 16.4 ft)..... 1
  - 13 pin RGB Video cable (5 m/ 16.4 ft) .... 1
  - External GPS antenna (5 m/ 16.4 ft)..... 1
  - External Microphone (3m/ 10 ft).. ..... 1
  - Mounting screws ..... 4
  - Installation/Owner's Manual ..... 1
  - Registration card ..... 1
- Product specifications and appearance are subject to change without notice for the purpose of improvement.

## Features

- Navigation map display output to Multimedia Station
- Full Touch Control with compatible Multimedia Station
- Voice guidance output
- Stereo MP3/WMA audio output

## Confirming Proper Installation

The vehicle connections screen allows you to ensure proper installation of PMD-DOK2.

- Touch **NAVI**. The Multimedia Station will display the Blackbird screen.
- Touch **MAIN MENU**.
- Touch **INFORMATION**.
- Select **VEHICLE CONNECTIONS**. The connection status will appear on the screen.

Illumination - Toggle the parking lamp switch on and off to confirm this connection. This will allow the navigation display to change between night and day mode.

Parking Brake - Toggle the parking brake on and off to confirm this connection. This will allow access to the Edit and Setup menu while the vehicle is parked.

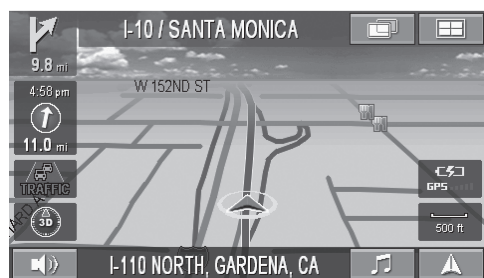
## Additional On-Screen Buttons

When Blackbird is docked, two additional on-screen buttons allow you to conveniently access system features.

Touching this button will give you access to the Multimedia Station's display control.

Note: If left idle for more than 5 seconds, the system will automatically return to the Blackbird navigation screen.

Touching this button will display the Blackbird's music screen. Refer to the Blackbird Owner's Manual for help using the music functions.



## In Case of Difficulty

If you encounter a problem, please turn the power off, then on again. If the unit is still not functioning normally, please review the items in the following checklist. This guide will help you isolate the problem. Otherwise, make sure the rest of your system is properly connected, or consult your authorized Alpine dealer.

### No function or display.

- Blown fuse.
  - Check the fuse on the battery and ACC lead of the dock; replace with the proper value fuse (2 A blade fuse) if necessary.

### Touch screen not working.

- Monitor is not touch panel enabled.
  - The touch screen feature will work only with an Alpine touch panel monitor.
- Connection failure
  - In some vehicles, it may be necessary to connect the Multimedia Station's remote turn-on lead (blue/white) to the ignition lead of the dock.
- Not supported
  - The docking adapter does not support PMD-B100 or PMD-B100T. For those unit, please use PMD-DOK1.

### No GPS signal.

- GPS antenna not connected.
  - Connect the provided GPS antenna, for best reception, ensure that it has a good open view to the sky and make sure the antenna is not covered (obstructed) by any metallic surface or object.

### Cannot access certain functions.

- Certain functions are disabled while driving.
  - Certain menu and functions are disabled while driving. Pull over and engage the parking brake to enable these features.
- Certain functions are disabled in docking mode.
  - Remove the Blackbird from the dock, and power it on in the cradle or in stand alone mode to enable these functions.

### Unable to receive traffic information

- Subscription not enabled or expired.
  - Traffic service can be activated at <http://www.blackbirdtraffic.com>
- Antenna disabled.
  - If using a stock antenna with an active splitter system, it might be necessary to use the Multimedia Station's remote turn-on lead (blue/white) instead of the power antenna out wire to continuously activate the power antenna and/or antenna booster.

- No antenna
  - Make sure an FM antenna is properly connected; replace the antenna or cable if necessary.
- No traffic information in the area
  - As of October 2006, traffic information is available in 50 markets in the US and Canada. Please check the coverage maps at <http://www.blackbirdtraffic.com> to see if you are in a coverage area.

### Bluetooth Handsfree is not working

- Int icon pops up whenever there is a call
  - Please go into the Setup Menu of your Alpine Multimedia Station. In System Setup, change Bluetooth setting to NAV. For 2006 and older headunit without a Bluetooth setting, DO NOT connect the Interrupt wire.
- No Audio can be heard during a call
  - Please make sure the Docking Adapter is connected to the Aux input of your Alpine Multimedia Station. For 2006 and older headunit, make sure to select Aux as source, and answer with your phone.

## Free Manuals Download Website

<http://myh66.com>

<http://usermanuals.us>

<http://www.somanuals.com>

<http://www.4manuals.cc>

<http://www.manual-lib.com>

<http://www.404manual.com>

<http://www.luxmanual.com>

<http://aubethermostatmanual.com>

Golf course search by state

<http://golfingnear.com>

Email search by domain

<http://emailbydomain.com>

Auto manuals search

<http://auto.somanuals.com>

TV manuals search

<http://tv.somanuals.com>