



## ASF-60DS ASF-75DS FRYER DUMP STATION



- Battery companion for ASF-60 or ASF-75 gas and electric fryers or stand-alone dump station
- Maintenance free overhead 1,000 watt infrared warmer
- Stainless steel front and sides
- Removable 1/3 size pan to collect crumbs
- Four leveling casters
- One year parts and labor warranty

The Alto-Shaam ASF-60DS and ASF-75DS dump station is constructed of stainless steel and includes front and rear-mounted, heavy duty leveling casters. An overhead infrared heating element is controlled with one (1) ON/OFF power switch. Holding well includes a screen insert to collect crumbs and small bits of product in a removable catch pan located behind the door. Stand-alone dump station or battery companion for gas or electric fryers. Unit can be added to the right, left, or between fryers.

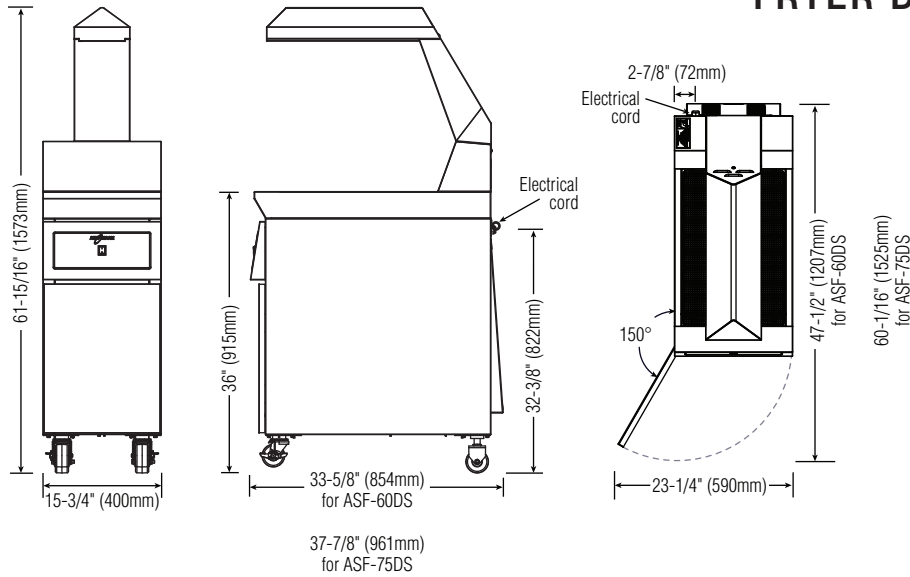
- ASF-60DS Fryer Dump Station
- 
- ASF-75DS Fryer Dump Station
- 



Approval pending



### FACTORY INSTALLED OPTIONS

- ASF-60 Fryer Dump Station Battery
  - ➔ Create a battery of multiple ASF-60E, ASF-60G fryers and ASF-60DS dump stations in any combination of up to four (4) units.
  - ➔ Battery configuration includes oil filtration system. Specify right- or left-side placement when ordering.
- ASF-75 Fryer Dump Station Battery
  - ➔ Create a battery of multiple ASF-75E, ASF-75G fryers and ASF-75DS dump stations in any combination of up to four (4) units.



<b>CAPACITY</b>	
18 lb (8.2 kg) MAXIMUM	

<b>DIMENSIONS EXTERIOR H x W x D:</b>	
<b>ASF-60DS</b>	61-15/16" x 15-3/4" x 33-5/8" (1573mm x 400mm x 854mm) 36" (915mm) unit height without infrared warmer
<b>ASF-75DS</b>	61-15/16" x 15-3/4" x 37-7/8" (1573mm x 400mm x 961mm) 36" (915mm) unit height without infrared warmer

<b>ELECTRICAL • ASF-60DS &amp; ASF-75DS</b>					
VOLTAGE	PHASE	CYCLE/ HZ	AMPS	kW	CORD & PLUG
120	1	60	8.4	1.0	 NEMA 5-15P 15A-125V PLUG 8' CORD
230	1	50	4.4	1.0	 CEE 7/7 16A-250V PLUG 9' CORD

<b>WEIGHT EST.</b>	<b>NET WEIGHT</b>	<b>SHIP WEIGHT</b>
	CONTACT FACTORY	CONTACT FACTORY
<b>CARTON DIMENSIONS:</b>	CONTACT FACTORY	

<b>INSTALLATION REQUIREMENTS</b>
Dump station must be installed level.

<b>CLEARANCE REQUIREMENTS</b>
BACK: 6" (152mm)      FRONT: 25" (635mm)

## Free Manuals Download Website

<http://myh66.com>

<http://usermanuals.us>

<http://www.somanuals.com>

<http://www.4manuals.cc>

<http://www.manual-lib.com>

<http://www.404manual.com>

<http://www.luxmanual.com>

<http://aubethermostatmanual.com>

Golf course search by state

<http://golfingnear.com>

Email search by domain

<http://emailbydomain.com>

Auto manuals search

<http://auto.somanuals.com>

TV manuals search

<http://tv.somanuals.com>