

ALVIN Satin-Glow Lightboxes

Instructions for Cutting Glass

- Double-strength window glass*
- Thickness: 1/8"
- Chamfer smooth all edges

MODEL No.	Cut Glass to This Size
LB1218	11 15/16" x 17 15/16"
LB1620	15 15/16" x 19 15/16"
LB1824	17 15/16" x 23 15/16"
LB2436	23 15/16" x 35 15/16"

IMPORTANT NOTE

It is highly recommended that these dimensions be double-checked against your lightbox before cutting glass.

* It is best to purchase glass from a glass dealer rather than a hardware or home center.

Care and Use Instructions

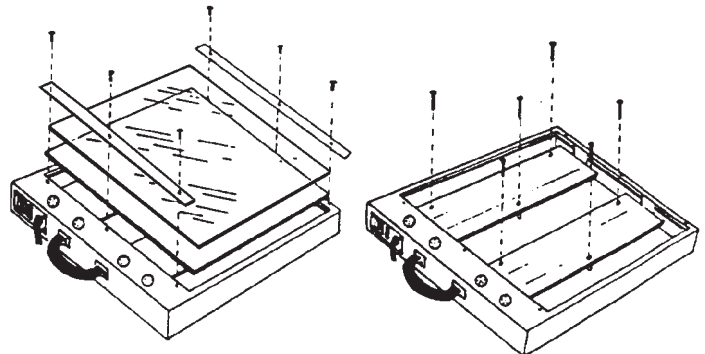
1. To install glass, remove the two aluminum strips on the top surface of the lightbox. For your own safety, use gloves when handling glass. Place the glass on top of the Plexiglas sheet and replace the aluminum strips.
2. To operate, depress the on/off switch and hold for one or two seconds until the lights illuminate. **Note:** Bulbs may loosen during shipping. If bulbs don't illuminate check that they are properly seated in fixture.
3. The Satin-Glow Lightbox is designed to operate on 110V AC, 60 cycle. Please do not use any other power source.
4. Removal of the back panel or tampering with the electrical circuitry will void the warranty and releases the manufacturer from all responsibility for damages, loss of property and/or personal injury.

To Replace Fluorescent Tubes

1. "Daylight" bulbs with CRI of 70 or greater are recommended. Always use direct replacement lamps in order to prevent overheating.
2. Disconnect the power cord.
3. Remove the screws and aluminum strips from the top surface of the lightbox. Carefully remove glass and Plexiglas panels.
4. Remove the hold-down screws and lift off the light diffusers.
5. Remove and replace fluorescent tubes.
6. Return diffusers, glass and Plexiglas panels to their original positions. Re-install aluminum strips and screws.

MODEL No.	Degrees of Illumination		
	Lumens per Tube	Tubes per Box	Lumens at Light Box Surface
LB1218	650	1 F15T8	650
LB1620	650	2 F15T8	1300
LB1824	650	2 F15T8	1300
LB2436	1750	3 F30T8	5100

All electrical components are U.L. listed.



Free Manuals Download Website

<http://myh66.com>

<http://usermanuals.us>

<http://www.somanuals.com>

<http://www.4manuals.cc>

<http://www.manual-lib.com>

<http://www.404manual.com>

<http://www.luxmanual.com>

<http://aubethermostatmanual.com>

Golf course search by state

<http://golfingnear.com>

Email search by domain

<http://emailbydomain.com>

Auto manuals search

<http://auto.somanuals.com>

TV manuals search

<http://tv.somanuals.com>