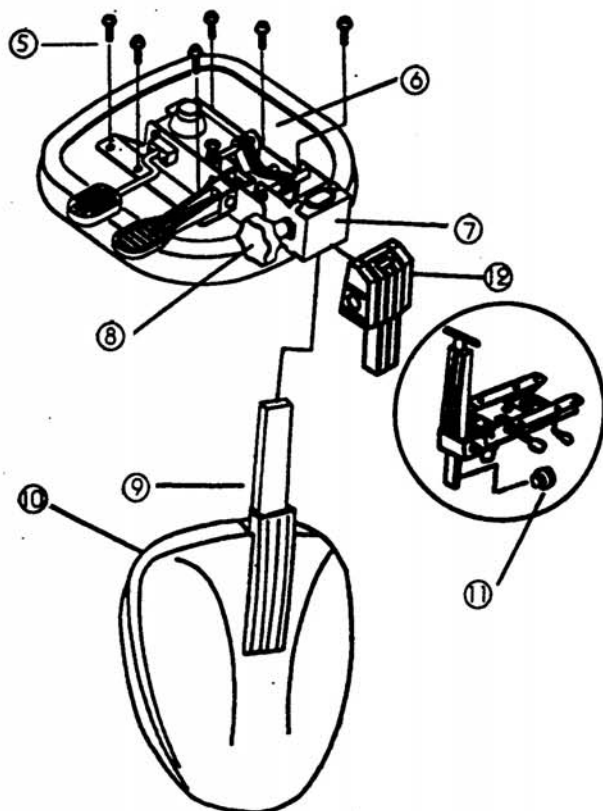




# Assembly Instructions for Chair No. CH555

## PARTS LIST

KEY	QTY	DESCRIPTION
1	5	CASTER
2	1	BASE
3	1	SEAT POST
4	1	TELESCOPIC COVER
5	6	MECHANISM SCREW
6	1	SEAT
7	1	MECHANISM
8	1	UP & DOWN KNOB
9	1	BACKREST POST + COVER
10	1	BACKREST
11	1	PLASTIC STOPPER
12	1	MECHANISM PLASTIC BELLOW

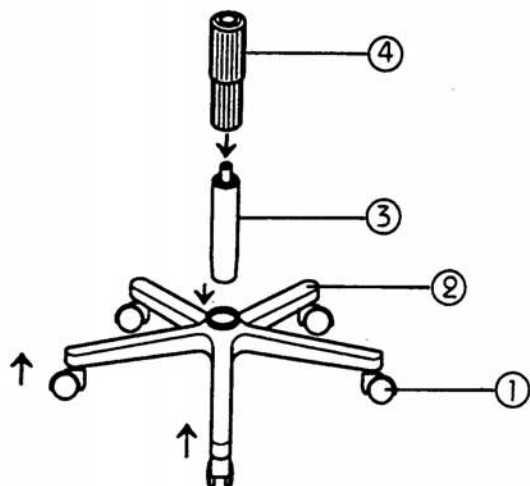


➡ PART NO.12 IS TORNED ON THE SIDE IN ORDER TO BE INSERTED ONTO REAR OF (7) MECHANISM.

### STEP 2.

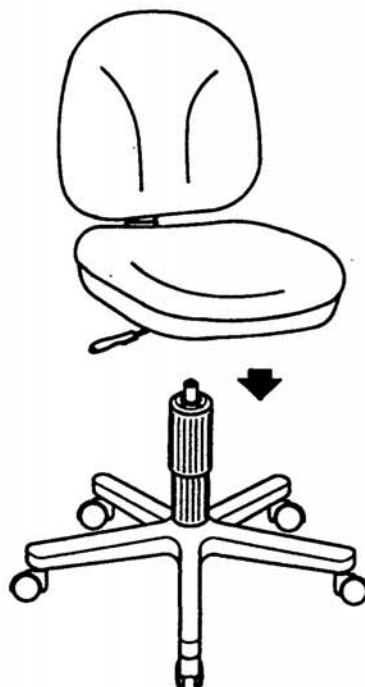
- Attach (7) mechanism to (6) seat with (5) mechanism screws. Insert (12) mechanism plastic bellow to rear part of (7) mechanism. Loosen (8) up & down knob. Insert assembled (9) backrest post and (10) backrest into (7) mechanism. Insert (11) plastic stopper on (9) backrest post as shown. Securely tighten (8) up & down knob when desired position is obtained.

### GAS Lift Type



### STEP 1.

- Insert (1) casters into (2) base. Insert (3) seat post into (2) base. Slide (4) plastic bellow over (3) seat post.



### STEP 3.

- Place upper assembled portion of chair into (3) seat post.

Made in Taiwan



Alvin & Company, Inc. Bloomfield, CT Grand Prairie, TX Rancho Cordova, CA

## Free Manuals Download Website

<http://myh66.com>

<http://usermanuals.us>

<http://www.somanuals.com>

<http://www.4manuals.cc>

<http://www.manual-lib.com>

<http://www.404manual.com>

<http://www.luxmanual.com>

<http://aubethermostatmanual.com>

Golf course search by state

<http://golfingnear.com>

Email search by domain

<http://emailbydomain.com>

Auto manuals search

<http://auto.somanuals.com>

TV manuals search

<http://tv.somanuals.com>