



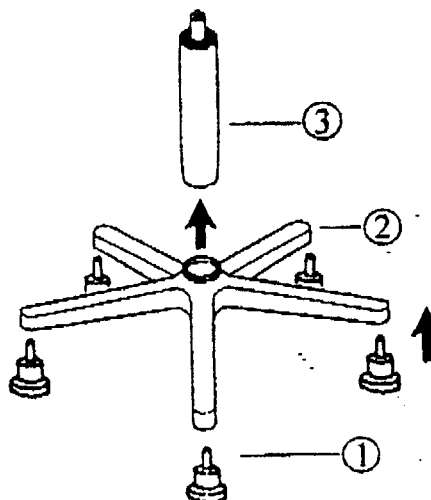
# Assembly Instructions for Chair No. DC206

## PARTS LIST

KEY	QTY	DESCRIPTION
1	5	GLIDE
2	1	BASE
3	1	SEAT POST
4	4	SEAT PLATE SCREW
5	1	SEAT PLATE
6	1	SEAT

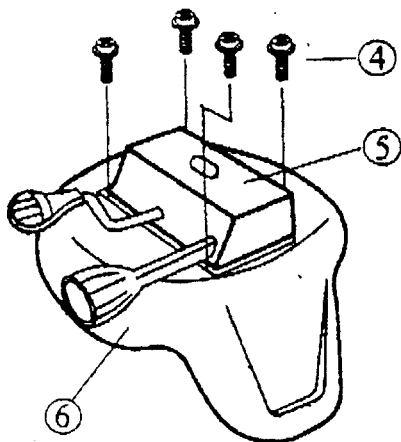
### PREVENTIVE MAINTENANCE AND WARNING

- USE THIS PRODUCT ONLY FOR SEATING ONE PERSON AT A TIME
- DO NOT USE CHAIR AS STEP STOOL/ADDER.
- DO NOT USE CHAIR UNLESS ALL BOLTS, SCREWS AND KNOBS ARE TIGHT.
- AT LEAST EVERY SIX MONTHS, CHECK ALL BOLTS, SCREWS AND KNOBS TO BE SURE THEY ARE TIGHT
- IF ANY PARTS ARE MISSING, BROKEN, DAMAGED OR WORN, STOP USE OF THE PRODUCT UNTIL REPAIRS ARE MADE USING FACTORY AUTHORIZED PARTS.
- FAILURE TO FOLLOW THESE WARNINGS CAN RESULT TO SERIOUS INJURY.



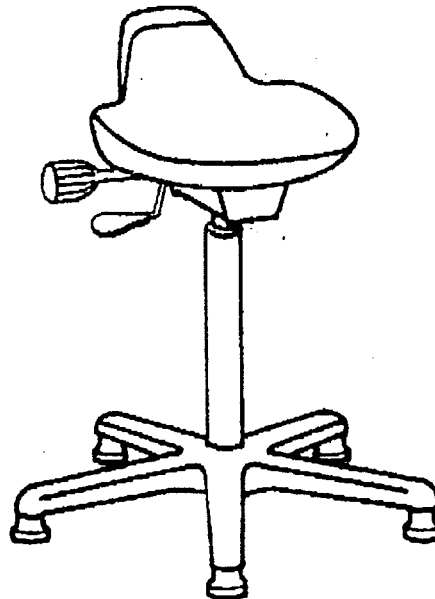
### STEP 1.

- Insert (1) glides into (2) base. Insert (3) seat post into (2) base.



### STEP 2.

- Align (5) seat plate to pre-drilled holes of the back of (6) seat and securely tighten with (4) seat plate screw.



### STEP 3.

- Place upper assembled portion of chair into (3) seat post.



Alvin & Company, Inc. Bloomfield, Ct Grand Prairie, TX Rancho Cordova, CA

## Free Manuals Download Website

<http://myh66.com>

<http://usermanuals.us>

<http://www.somanuals.com>

<http://www.4manuals.cc>

<http://www.manual-lib.com>

<http://www.404manual.com>

<http://www.luxmanual.com>

<http://aubethermostatmanual.com>

Golf course search by state

<http://golfingnear.com>

Email search by domain

<http://emailbydomain.com>

Auto manuals search

<http://auto.somanuals.com>

TV manuals search

<http://tv.somanuals.com>