

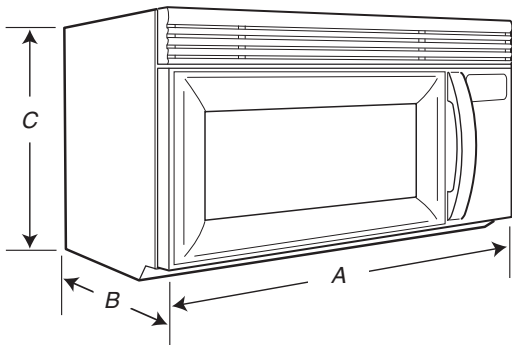
# Amana<sup>®</sup> Over the Range Microwave Oven

## PRODUCT MODEL NUMBERS

AMV1154BA      AMV5164BC  
AMV5164BA

**Electrical:** Product rating is 120 volts AC, 60 Hz, 14.5 amps (13 amps CANADA) and 1.65 kilowatts (1.5 kilowatts CANADA). This product must be connected to a supply circuit of the proper voltage and frequency. Wire size must conform to the requirements of the National Electrical Code or the prevailing local code for this kilowatt rating. The power supply cord and plug should be brought to a separate 20-ampere branch circuit single grounded outlet. The outlet box should be located in the cabinet above the microwave oven. The outlet box and supply circuit should be installed by a qualified electrician and conform to the National Electrical Code or the prevailing local code.

## PRODUCT DIMENSIONS



	Width (A)	Depth (B)	Height (C)
AMV1154BA	29-7/8" (75.9 cm)	15" (38.1 cm)	16-1/2" (41.9 cm)
AMV5164BA	29-7/8" (75.9 cm)	15-1/4" (37.7 cm)	16-1/2" (41.9 cm)
AMV5164BC	29-7/8" (75.9 cm)	15-1/4" (37.7 cm)	16-1/2" (41.9 cm)

## VENTING REQUIREMENTS

A 3 1/4" x 10" (8.3 x 25.4 cm) rectangular or 6" (15.2 cm) round vent should be used.

The total length of the vent system including straight vent, elbow(s), transitions and wall or roof caps must not exceed the equivalent of 140 ft (42.7 m) for either type of vent.

Outside ventilation requires a HOOD EXHAUST DUCT. Read the following carefully.

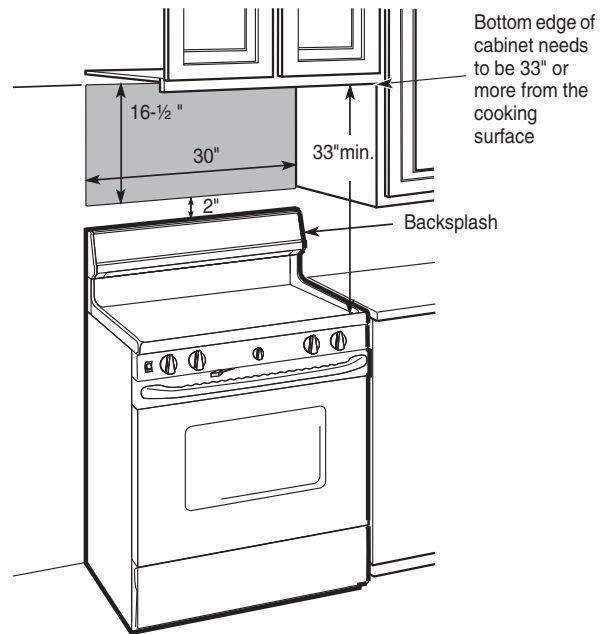
### OUTSIDE TOP EXHAUST (EXAMPLE ONLY)

The following chart describes an example of one possible ductwork installation.

DUCT PIECES	EQUIVALENT LENGTH	NUMBER USED	=	EQUIVALENT LENGTH
Roof Cap	24 Ft. (7.3 m)	x (1)	=	24 Ft. (7.3 m)
12 Ft. Straight Duct (6" Round)	12 Ft. (3.7 m)	x (1)	=	12 Ft. (3.7 m)
Rectangular-to-Round Transition Adaptor*	5 Ft. (1.5 m)	x (1)	=	5 Ft. (1.5 m)
Equivalent lengths of duct pieces are based on actual tests and reflect requirements for good venting performance with any vent hood.			<b>Total Length</b>	<b>41 Ft. (12.5 m)</b>

\* **IMPORTANT:** If a rectangular-to-round transition adaptor is used, the bottom corners of the damper will have to be cut to fit, using tin snips, in order to allow free movement of the damper.

## CABINET OPENING DIMENSIONS



### NOTES:

- The space between the cabinets must be 30" (76.2 cm) wide and free of obstructions.
- This microwave oven is for installation over ranges up to 33" (83.8 cm) wide.
- If you are going to vent your microwave oven to the outside, see Venting Requirements for exhaust duct preparation.
- **When installing the microwave oven beneath smooth flat cabinets be careful to follow the instructions on the top cabinet template for power cord clearance.**

**NOTE:** It is important that venting be installed using the most direct route and with as few elbows as possible. This ensures clear venting of exhaust and helps prevent blockages. **Also, make sure dampers swing freely and nothing is blocking the ducts.**

For best performance, use no more than three 90° elbows.

To calculate the length of the system you need, add the equivalent length for each vent piece used in the system. See the following examples:

### OUTSIDE BACK EXHAUST (EXAMPLE ONLY)

The following chart describes an example of one possible ductwork installation.

DUCT PIECES	EQUIVALENT LENGTH*	NUMBER USED	=	EQUIVALENT LENGTH
Roof Cap	40 Ft. (12.2 m)	x (1)	=	40 Ft. (12.2 m)
3 Ft. Straight Duct (3 1/4" x 10" Rectangular)	3 Ft. (1 m)	x (1)	=	3 Ft. (1 m)
90° Elbow	10 Ft. (3 m)	x (2)	=	20 Ft. (6.1 m)
Equivalent lengths of duct pieces are based on actual tests and reflect requirements for good venting performance with any vent hood.			<b>Total Length</b>	<b>63 Ft. (19.2 m)</b>

**NOTE:** For back exhaust, care should be taken to align exhaust with space between studs, or wall should be prepared at the time it is constructed by leaving enough space between the wall studs to accommodate exhaust.

## Free Manuals Download Website

<http://myh66.com>

<http://usermanuals.us>

<http://www.somanuals.com>

<http://www.4manuals.cc>

<http://www.manual-lib.com>

<http://www.404manual.com>

<http://www.luxmanual.com>

<http://aubethermostatmanual.com>

Golf course search by state

<http://golfingnear.com>

Email search by domain

<http://emailbydomain.com>

Auto manuals search

<http://auto.somanuals.com>

TV manuals search

<http://tv.somanuals.com>