

MICROWAVE OVEN BUILT-IN TRIM KIT INSTALLATION INSTRUCTIONS

Built-In Trim Kit Models UMTK27, UMTK30

UL listed for use over built-in electric ovens:

27 (68.6 cm): MEW5527, MEW6527

30 (76.2 cm): MEW5530, MEW6530, JJW8130DD, JJW8330DD, JJW9130DD, JJW9330DD

Table of Contents

MICROWAVE OVEN SAFETY	1
INSTALLATION INSTRUCTIONS	2
Tools and Parts	2
Location Requirements	2
Minimum Cutout Dimensions	2
Trim Kit Frame Dimensions	2
Electrical Requirements	3
Microwave Oven Preparation	3
Duct Assembly	3
Microwave Oven Installation	4
Install Top and Bottom Brackets	4
Install Trim Kit Frame	4

MICROWAVE OVEN SAFETY

Your safety and the safety of others are very important.

We have provided many important safety messages in this manual and on your appliance. Always read and obey all safety messages.



This is the safety alert symbol.

This symbol alerts you to potential hazards that can kill or hurt you and others.

All safety messages will follow the safety alert symbol and either the word "DANGER" or "WARNING."

These words mean:

! DANGER

You can be killed or seriously injured if you don't immediately follow instructions.

! WARNING

You can be killed or seriously injured if you don't follow instructions.

All safety messages will tell you what the potential hazard is, tell you how to reduce the chance of injury, and tell you what can happen if the instructions are not followed.

INSTALLATION INSTRUCTIONS

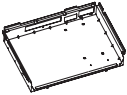
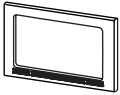

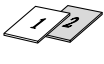





Tools and Parts

Tools Needed

Gather the required tools and parts before starting installation. Read and follow the instructions provided with any tools listed here.

- Measuring tape
- Pencil
- Phillips screwdriver
- Drill
- 7/64" drill bit
- Tape

Parts Supplied

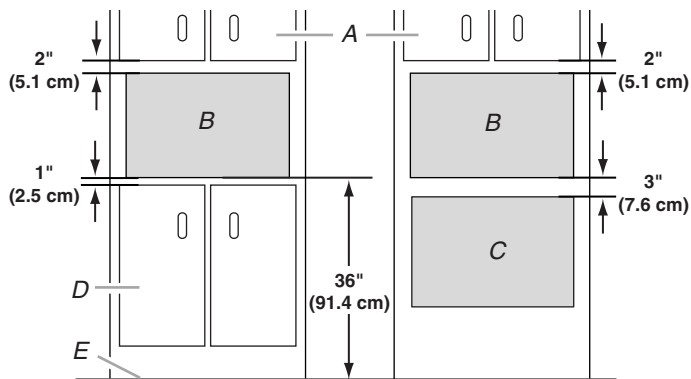
 Duct base	 Trim kit frame
 Left duct	 Templates 1 and 2
 Bottom bracket	 Top bracket
 13/16" screws (2)	 9/16" screws (16)
 1/2" screws (4 - painted)	

Location Requirements

The microwave oven may be installed over a built-in oven. If installing over a built-in oven, make sure there is a minimum of 3" (7.6 cm) between the top of the lower oven cutout and the microwave oven cutout floor.

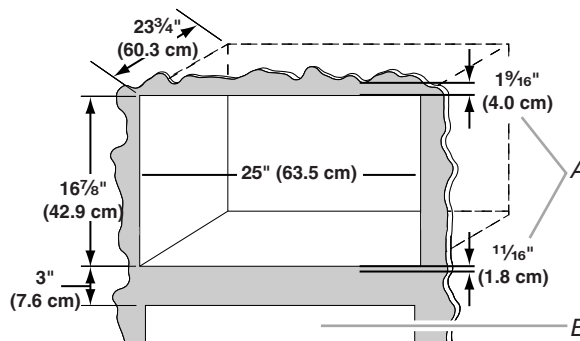
The microwave oven may also be installed in a cabinet by itself (without a built-in oven below). For best usability, we recommend a minimum distance of 36" (91.4 cm) from the floor to the cutout floor.

Make sure the surrounding cabinetry has clearance to open and close freely. Allow a clearance of at least 1" (2.5 cm) below the cutout floor (3" [7.6 cm] for installation above a built-in oven), and a clearance of at least 2" (5.1 cm) above the cutout opening.



- A. Upper cabinet
B. Microwave oven cutout
C. Lower oven cutout
D. Lower cabinets
E. Floor

Minimum Cutout Dimensions

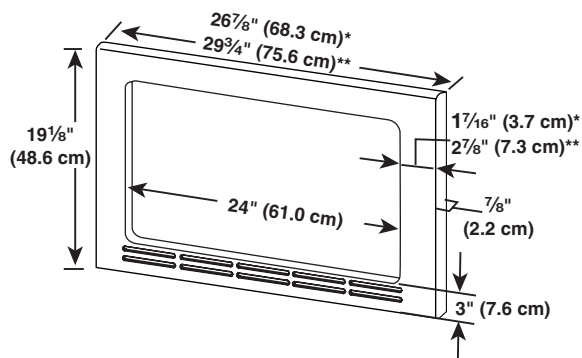


- A. Trim kit frame overhang
B. Cutout for lower oven

NOTES:

- Height, width and depth measurements have $\pm 1/16$ " (2 mm) tolerance.
- 3" (7.6 cm) minimum dimension is from lower oven cutout ceiling to microwave oven cutout floor.
- Trim kit frame extends 11/16" (1.8 cm) below, and 1 9/16" (4.0 cm) above the cutout opening.

Trim Kit Frame Dimensions



- *27" (68.6 cm) trim kit
**30" (76.2 cm) trim kit

Electrical Requirements

⚠ WARNING



Electrical Shock Hazard

Plug into a grounded 3 prong outlet.

Do not remove ground prong.

Do not use an adapter.

Do not use an extension cord.

Failure to follow these instructions can result in death, fire, or electrical shock.

Observe all governing codes and ordinances.

Required:

- A 120 Volt, 60 Hz, AC only, 15- or 20-amp electrical supply with a fuse or circuit breaker.

Recommended:

- A time-delay fuse or time-delay circuit breaker.
- A separate circuit serving only this microwave oven.

GROUNDING INSTRUCTIONS

■ For all cord connected appliances:

The microwave oven must be grounded. In the event of an electrical short circuit, grounding reduces the risk of electric shock by providing an escape wire for the electric current. The microwave oven is equipped with a cord having a grounding wire with a grounding plug. The plug must be plugged into an outlet that is properly installed and grounded.

WARNING: Improper use of the grounding plug can result in a risk of electric shock. Consult a qualified electrician or serviceman if the grounding instructions are not completely understood, or if doubt exists as to whether the microwave oven is properly grounded.

Do not use an extension cord. If the power supply cord is too short, have a qualified electrician or serviceman install an outlet near the microwave oven.

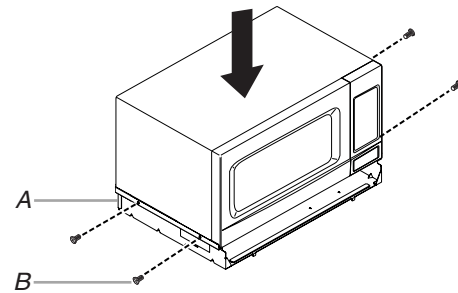
SAVE THESE INSTRUCTIONS

Microwave Oven Preparation

1. Unplug microwave oven before proceeding with installation.
2. Remove any loose items inside microwave oven.

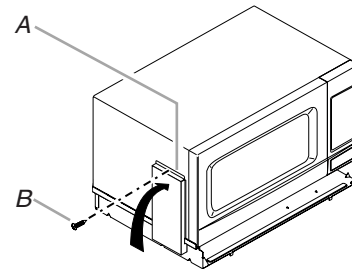
Duct Assembly

1. Remove 4 existing screws (2 on each side) from the microwave oven. The screws are located at the lower edge. These screws will be used in the next step.
2. Secure duct base to the microwave oven with the 4 existing screws removed in Step 2.



A. Duct base
B. Existing screws (4)

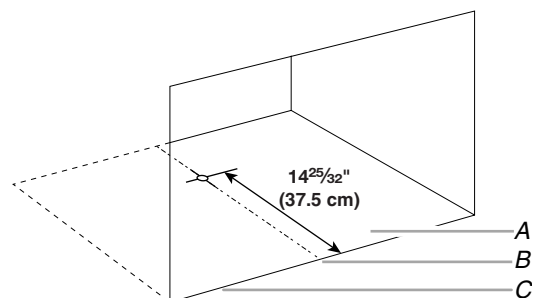
3. Secure left duct to outside panel of microwave oven with one 9/16" screw, as shown.



A. Left duct
B. 9/16" screw

Microwave Oven Installation

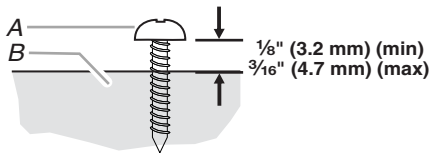
1. On the cutout floor, find and mark the centerline.
2. Use Template 1 to mark hole center for box screw. Be sure to align the center line of template to center line of cutout floor.



A. Cutout floor
B. Center line
C. Cutout opening

3. Using 7/64" drill, drill pilot hole into hole center marked in Step 2.

- Install the 3/16" screw, and leave 1/8" (3.2 mm) to 3/16" (4.7 mm) protruding from the cutout floor.



A. 3/16" screw
B. Cutout floor

- Slide microwave oven partway into cutout opening.

⚠ WARNING

Electrical Shock Hazard

Plug into a grounded 3 prong outlet.

Do not remove ground prong.

Do not use an adapter.

Do not use an extension cord.

Failure to follow these instructions can result in death, fire, or electrical shock.

- Plug in microwave oven.
- Make sure microwave oven is centered in the opening, and slide it into place, engaging the 3/16" screw and duct base.

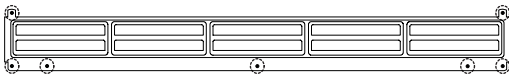
Install Top and Bottom Brackets

- Align bottom bracket to duct base, and mark 7 mounting holes of bottom bracket, as shown.

30" (76.2 cm)

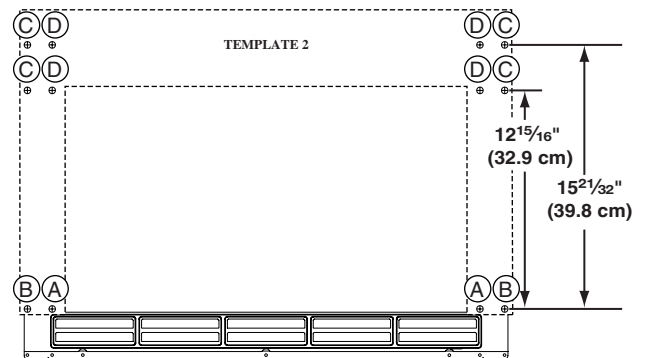


27" (68.6 cm)

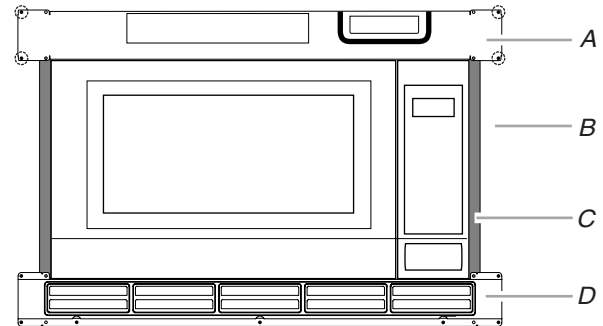


- Using 7/64" drill, drill pilot holes into the cabinet through holes marked in Step 1.
- Install bottom bracket to cabinet using seven 9/16" screws.
- Position Template 2 over cabinet so that its reference holes (A) (for 27" [68.6 cm] installation) or (B) (for 30" [76.2 cm] installation) are over the upper end mounting holes of the bottom bracket, as shown in following illustration. Tape the template in place, then mark through holes (D) for 27" (68.6 cm) installation, or through holes (C) for 30" (76.2 cm) installation.

NOTE: If Template 2 is missing or unusable, measure straight up from upper end holes on bottom bracket, and mark the new holes at 12^{15/16}" (32.9 cm) and 15^{21/32}" (39.8 cm). Make sure the bottom bracket end holes and the new holes on each side are plumb.



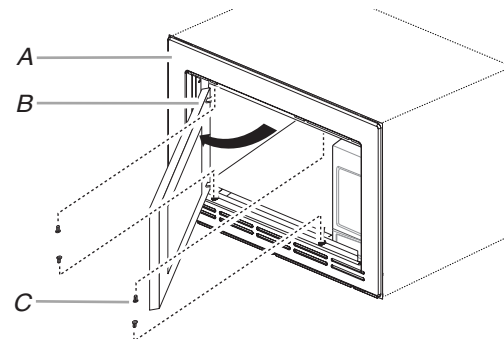
- Using 7/64" drill, drill pilot holes into the cabinet through holes marked in Step 4, then remove template.
- Position top bracket over pilot holes drilled in Step 5, then secure with four 9/16" screws. (Illustration in this step shows 30" [76.2 cm] installation.)



A. Top bracket C. Cutout opening
B. Cabinet D. Bottom bracket

Install Trim Kit Frame

- Position trim kit frame against the top and bottom brackets. Make sure the trim kit frame makes contact with the cabinet.
- Open microwave oven door, and secure trim kit frame using 4 painted 1/2" screws.



A. Trim kit frame
B. Microwave oven door (open)
C. Painted 1/2" screws (4)

Installation is now complete. Replace any loose items that have been removed from microwave oven cavity.
Save these Installation Instructions for future reference.

Free Manuals Download Website

<http://myh66.com>

<http://usermanuals.us>

<http://www.somanuals.com>

<http://www.4manuals.cc>

<http://www.manual-lib.com>

<http://www.404manual.com>

<http://www.luxmanual.com>

<http://aubethermostatmanual.com>

Golf course search by state

<http://golfingnear.com>

Email search by domain

<http://emailbydomain.com>

Auto manuals search

<http://auto.somanuals.com>

TV manuals search

<http://tv.somanuals.com>