

Amana[®]

Self-Cleaning Electric Range Owner's Manual

ARR6202*

ARR6102*

ART6112*

ART6002*

* Additional alphanumeric characters representing other models in series may follow each model number.

Important

Save for local electrical inspector's use.

Please Read Manual Before Operating Range

Installer

Leave this manual and other literature with consumer for future use.

Customer

Keep these instructions for future reference. If appliance changes ownership, be sure this manual accompanies range.

Para recibir un manual en español gratis, envíe por correo o por fax su nombre, dirección, y número de modelo a:

Amana Appliances
Consumer Communications/Spanish Manual
2800 220th Trail
PO Box 8901
Amana, Iowa 52204-0001
USA
Número de fax 1-319-522-8158

Contents

Model Identification	2
Parts and Accessories	2
Service	2
Asure™ Extended Service Plan	2
Important Safety Information	
ALL APPLIANCES	3
VENTILATION HOODS	3
SURFACE COOKING UNITS	4
GLASS/CERAMIC COOKING SURFACES	4
OVENS	4
SELF-CLEANING OVENS	4
In Case of Fire	4
Precautions	4
Installation	
Packing Material	5
Range Location	5
Cabinet Opening	5
Minimum Clearances to Combustible Surfaces	5
Irregular Cabinet and Countertop Heights	6
Line Voltage Requirements	6
Power Supply Location	6
Power Cord Requirements	6
Range Terminal Block	6
Installing 3-Wire Power Cord	7
Installing 4-Wire Power Cord	8
Converting 3-Wire to 4-Wire Power Cord	9
Anti-tip Bracket Installation	9
Level Range	9
Removal and Replacement of Range	9
Operation	
Range Features	10
Range Control Panel	11
Preparing to Cook	
with Smoothtop Elements (Some Models)	12
Cooking with Surface Elements	12
Utensils	13
Setting Electronic Clock	15
Setting Electronic Timer	15
Prepare to Bake	15
Baking	16
Adjusting Factory Set Baking Temperature	16
Broiling	17
Prepare for Self-clean	17
Self-cleaning	18
Cooking Guide	
Baking Guide	19
Poultry Roasting Guide	19
Beef and Pork Roasting Guide	20
Broiling Guide	20

Care and Cleaning	
Removing Oven Door	21
Removing Storage Drawer (Some Models)	21
Replacing Oven Light	21
Removing Panel (Some Models)	21
Cleaning	22
Cleaning Smoothtop Rangetop	23
Before Calling for Service	24
Warranty	25
Quick Reference Instructions	28

Model Identification

Complete enclosed registration card and promptly return. If registration card is missing, call Consumer Affairs Department at 1-800-843-0304 inside U.S.A. 319-622-5511 outside U.S.A. When contacting Amana, provide product information located on rating plate. Rating plate is located on the oven frame. Record the following:

Model Number: _____
Manufacturing Number: _____
Serial or S/N Number: _____
Date of purchase: _____
Dealer's name and address: _____

Parts and Accessories

Purchase replacement parts and additional accessories (e.g., refrigerator shelves, dryer racks, or cooktop modules) over the phone. To order accessories for your Amana product, call 1-800-843-0304 inside U.S.A. or 319-622-5511 outside U.S.A.

Service

Keep a copy of sales receipt for future reference or in case warranty service is required. Any questions or to locate an authorized servicer, call 1-800-NAT-LSVC (1-800-628-5782) inside U.S.A. 319-622-5511 outside U.S.A. Warranty service must be performed by an authorized servicer. Amana, also recommends contacting an authorized servicer if service is required after warranty expires.

Asure™ Extended Service Plan

Amana offers long-term service protection for this new range. Asure™ Extended Service Plan is specially designed to supplement Amana's strong warranty. This plan covers functional parts, labor, and travel charges. Call 1-800-528-2682 for information.

IMPORTANT SAFETY INFORMATION

WARNING

To reduce the risk of the appliance tipping, it must be secured by a properly installed anti-tip bracket(s). To make sure bracket has been installed properly, remove the storage drawer or panel and look under the range with a flashlight. Bracket(s) must be engaged in the rear corner of the range.



- ALL RANGES CAN TIP
- INJURY TO PERSONS COULD RESULT
- INSTALL ANTI-TIP BRACKET(S) PACKED WITH RANGE
- SEE INSTALLATION INSTRUCTIONS



WARNING

To avoid personal injury, do not sit, stand or lean on oven door or oven drawer.

WARNING

To avoid risk of electrical shock, personal injury, or death, make sure your range has been properly grounded and always disconnect it from main power supply before servicing.

CAUTION

This appliance contains or produces a chemical or chemicals which can cause death or serious illness and which are known to the state of California to cause cancer, birth defects or other reproductive harm. To reduce the risk from substances in the fuel or from fuel combustion make sure this appliance is installed, operated, and maintained according to the instructions in this booklet.

CAUTION

DO NOT TOUCH SURFACE UNITS OR AREAS NEAR UNITS—Surface units may be hot though they are dark in color. Areas near surface units may become hot enough to cause burns. During and after use, do not touch, or let clothing touch or other flammable materials contact surface units or areas near surface units until they have had enough time to cool. These areas include the rangetop and backguard.

CAUTION

DO NOT TOUCH HEATING ELEMENTS OR INTERIOR SURFACES OF OVEN—Oven heating elements may be hot though they are dark in color. Interior surfaces of an oven may become hot enough to cause burns. During and after use, do not touch, or let clothing or other flammable materials touch heating elements or interior surfaces of oven until they have had enough time to cool. Other range surfaces that may become hot enough to cause burns are the oven door and oven

ALL APPLIANCES

1. Proper installation. Be sure your appliance is properly installed and grounded by a qualified technician.
2. Never Use Your Appliance for Warming or Heating the Room.
3. Do not leave children alone. Children should not be alone or unattended in the area where the appliance is in use. They should never be allowed to sit or stand on any part of the appliance.
4. Wear proper apparel. Loose fitting or hanging garments should never be worn while using appliance.
5. User Servicing—Do not repair or replace any part of the appliance unless specifically recommended in the manual. All other servicing should be referred to a qualified technician.
6. Storage in or on appliance. Flammable materials should not be stored in an oven or near surface units.
7. Do not use water on grease fires. Smother fire or flame, or use dry chemical or foam-type extinguisher.
8. Use only dry potholders. Moist or damp potholders on hot surfaces may result in burns from steam. Do not let potholder touch elements. Do not use a towel or other bulky cloth.

VENTILATION HOODS

1. Clean ventilation hoods frequently. Grease should not be allowed to accumulate on hood or filter.
2. When flaming foods, turn fan off. The fan, if operating, may spread the flame.

SURFACE COOKING UNITS

1. Use proper pan size. This appliance is equipped with one or more surface units of different size. Select utensils having flat bottoms large enough to cover the surface unit heating element. The use of undersized utensils will expose a portion of the heating element to direct contact and may result in ignition of clothing. Use of oversized utensils concentrates heat on cooking surface and can cause damage to range. Proper relationship of utensil to burner improves efficiency.
2. Never leave surface units unattended. Boilover causes smoking and greasy spillovers that may ignite.
3. Make sure reflector pans or drip bowls are in place. Absence of these pans or bowls during cooking may subject wiring or components underneath to damage.
4. Protective liners. Do not use aluminum foil to line drip bowls. Improper installation of these liners may result in a risk of electrical shock, or fire.
5. Glazed cooking utensils—Only certain types of glass, ceramic, earthenware, or other glazed utensils are suitable for rangetop service without breaking due to sudden change in temperature.
6. Utensil handles should be turned inward and not extend over adjacent surface units. To reduce the risk of burns, ignition of flammable materials, and spillage due to unintentional contact with the utensil, the handle of a utensil should be positioned so that it is turned inward, and does not extend over adjacent surface units.
7. Do not soak removable heating elements. Heating elements should never be immersed in water.

GLASS/CERAMIC COOKING SURFACES

1. Do not cook on broken cooktop. If cooktop should break, cleaning solutions and spillovers may penetrate the broken cooktop and create a risk of electrical shock. Contact a qualified technician immediately.
2. Clean cooktop with caution. If a wet sponge or cloth is used to wipe spills on a hot cooking area, be careful to avoid a steam burn. Some cleaners can produce noxious fumes if applied to a hot surface.

OVENS

1. Use care when opening door. Let hot air or steam escape before removing or replacing food.
2. Do not heat unopened food containers. Build-up of pressure may cause container to burst and result in injury.
3. Keep oven vent ducts unobstructed.
4. Placement of oven racks. Always place oven racks in desired location while oven is cool. If rack is removed while oven is hot, do not let potholder contact hot heating element in oven.
5. Protective liners. Do not use aluminum foil to line oven cavity or racks. Improper installation of these liners may result in a risk of electrical shock, or fire.

SELF-CLEANING OVENS

1. Do not clean door gasket. The door gasket is essential for a good seal. Care should be taken not to rub, damage, or move the gasket.
2. Do not use oven cleaners. No commercial oven cleaner or oven liner protective coating of any kind should be used in or around any part of the liner.
3. Clean only parts listed in manual.
4. Before self-cleaning the oven, remove broiler pan, oven racks, and other utensils.
5. Remove all items from rangetop and backguard.

In Case of Fire

Fires can occur as a result of over cooking or excessive grease. Though a fire is unlikely, if one occurs, proceed as follows:

Surface Element Fire

1. Smother the fire with a nonflammable lid or baking soda, or use a Class ABC or BC extinguisher. Not water. Not salt. Not flour.
2. As soon as it is safe to do so, turn the surface controls to *OFF*. Turn off power at main circuit breaker or fuse box.

Oven Fires

1. If you see smoke from your oven, do not open oven.
2. Turn oven control to *OFF*.
3. As an added precaution, turn off power at main circuit breaker or fuse box.
4. Turn on vent to remove smoke.
5. Allow food or grease to burn itself out in oven.
6. If smoke and fire persist, call fire department.
7. If there is any damage to components, call an authorized servicer before using range.

Precautions

- Do not cook food directly on rangetop surface, always use cookware.
- Do not mix household cleaning products. Chemical mixtures may interact with objectionable or even hazardous results.
- Do not put plastic items on warm cooking areas. They may melt and stick.
- Do not slide rough metal objects across rangetop surface. Scratching or metal marking can result.
- Do not use cookware with rough bottoms. They may scratch smoothtop surface. Glass and ceramic cookware can be used on coil elements.
- Do not use damp sponge or dishcloth to clean rangetop. A film of soil-laden detergent water may collect on rangetop. If this should happen, Amana Cleaning Conditioning Cream removes this type of stain.
- Do not leave fat heating unless you remain nearby. Fat can ignite if overheated by spilling onto hot surfaces.
- Do not allow pots to boil dry on high settings as this can cause damage to cooking surface and pan.
- Do not use rangetop surface as a cutting board.
- Do not use range for storage or as a display counter.

Installation

Packing Material

Remove protective packing materials from range. Tape residue can be cleaned with a soft cloth and alcohol.

Range Location

Underwriter's Laboratories, Inc. specifies range can be installed flush against right and left base cabinets, and rear vertical wall. Range can also be installed flush against left or right vertical wall extending above 36 inch standard countertop height.

Cabinet Opening

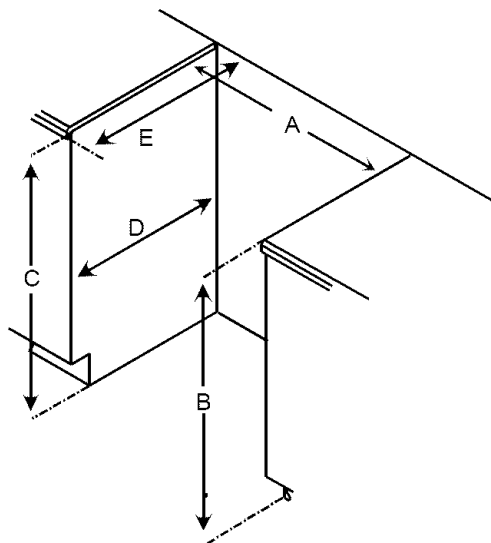
WARNING

To avoid risk of burns or fire by reaching over elements, cabinet storage space located above range should be avoided. If cabinet storage is provided, install a range hood that projects horizontally a minimum of 5 inches beyond the cabinet bottom to reduce the risk.

CAUTION

Do not store items of interest to children in cabinets above a range or behind the backguard of a range. Children climbing on the range to reach items could be seriously injured.

Range should extend approximately 2 inches from cabinet front to oven door handle. Using dimensions, prepare cabinet opening.

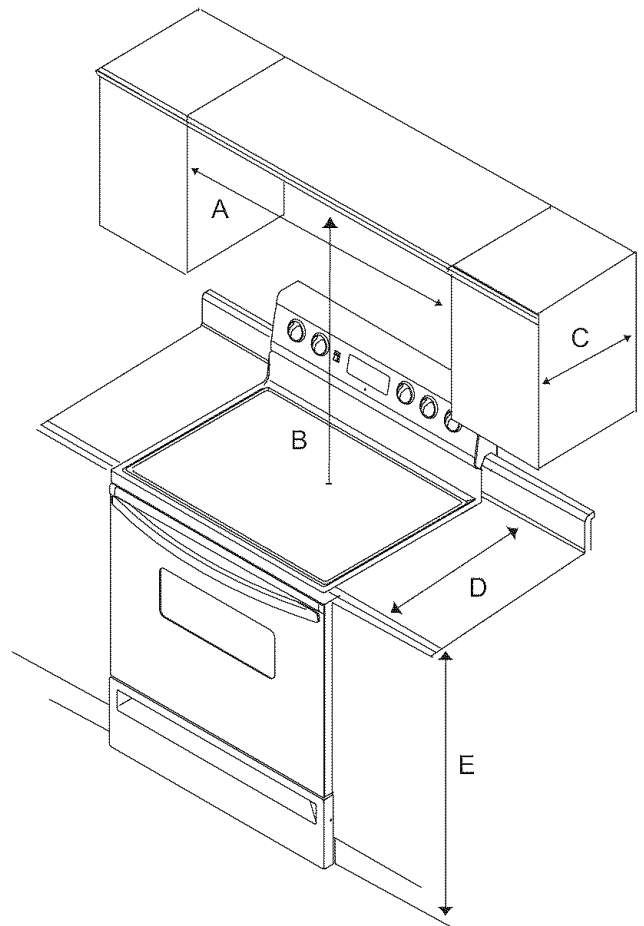


- A—30¹/₈ to 30¹/₄ inches
- B—36 inches standard
- C—35 inches standard
- D—23 inches standard
- E—25 inches standard

Minimum Clearances to Combustible Surfaces

Using dimensions, prepare cabinet opening.

- Minimum clearance to rear wall is 0 inches.
- Minimum clearance to a vertical right or left side wall is 0 inches.
- Minimum clearance to countertop/cabinet on each side is 0 inches.
- Minimum of 30 inches between top of cooking surface and bottom of an unprotected wood or metal cabinet.
- Minimum of 24 inches between cooking surface and protected wood or metal cabinet above range. Cabinet bottom must be protected by at least 1/4 inch thick millboard with not less than No. 28 MSG sheet steel, .015 inch thick stainless steel, .024 inch thick aluminum, or .020 inch thick copper.



- A—30 inches minimum
- B—30 inches unprotected/24 inches protected minimum
- C—13 inches maximum
- D—25 inches maximum
- E—36 inches maximum

Minimum Clearances to Combustible Surfaces

Irregular Cabinet and Countertop Heights

Countertops such as ceramic tile tops cause cabinet and countertop to be higher than 36 inches. Follow instructions below when countertop is higher than 36 inches.

1. Raise leveling legs to maximum height.
2. Measure from floor to rangetop. If measurement is less than height of countertop, floor must be shimmed.
3. Shim floor using a piece of plywood same size as range opening. Secure plywood to floor. Plywood must be as secure as original flooring.
4. Install anti-tip bracket and slide range into place.

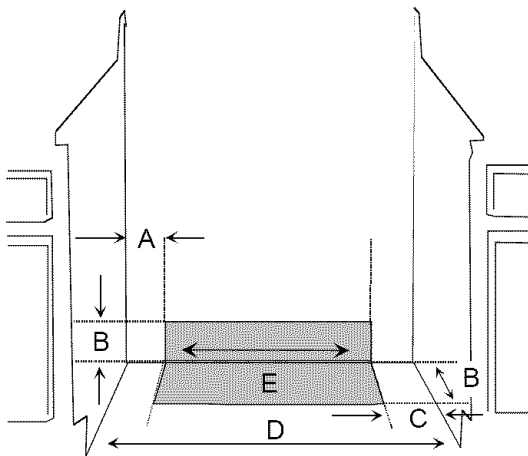
Line Voltage Requirements

Line voltage must not exceed rated voltage. See rating plate attached to range for kilowatt rating. Line voltage less than rated voltage will result in slow heating. Wiring system must conform to Underwriters Laboratories, Inc. standards and National Electrical Code. Installation must conform to all local, municipal and state building codes, and local utility regulations. Range must be connected only to a supply circuit as specified on rating plate wiring diagram of range.

Range requires 3 wires, 120/240 Volts, 60 Hertz A.C. House wiring and fusing must comply with local wiring codes. If no codes apply, wire according to National Electrical Codes.

Power Supply Location

Shaded area show range clearance for electrical connection.



- A—3 inches
- B—7 inches
- C—6 inches
- D— $30\frac{1}{8}$ inches minimum
- E— $24\frac{1}{16}$

Power Supply Location

Power Cord Requirements

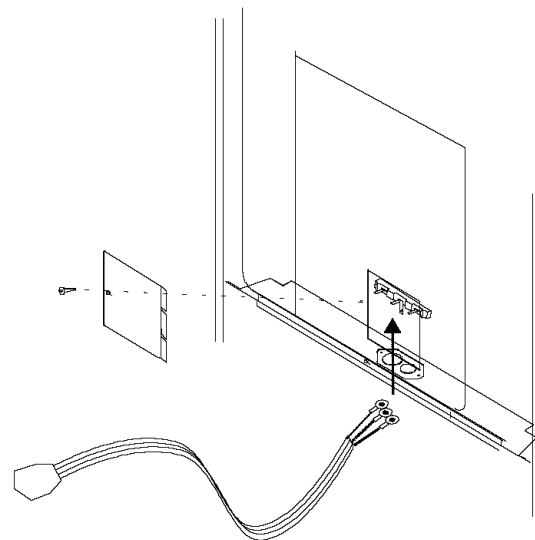
Power cord is not supplied with range. Power cord must be U.L. Listed and meet NEC and Mobile Home Manufacturers Association Standards. Cord must be rated at a minimum 250V—40 AMP, equipped with a plug configuration in accordance with NEMA. Conductors must end with closed loop (ring) terminals at the range.

- Three-conductor cord plug NEMA 10-50P allowed for residential.
- Four-conductor cord plug NEMA 14-50P required for most mobile home installations but can be used for residential.

NOTE: Only a power cord suitable for use with ranges may be used. For installation in a mobile home, or area where local codes do not permit grounding through the neutral terminal, a 4-wire cord must be used.

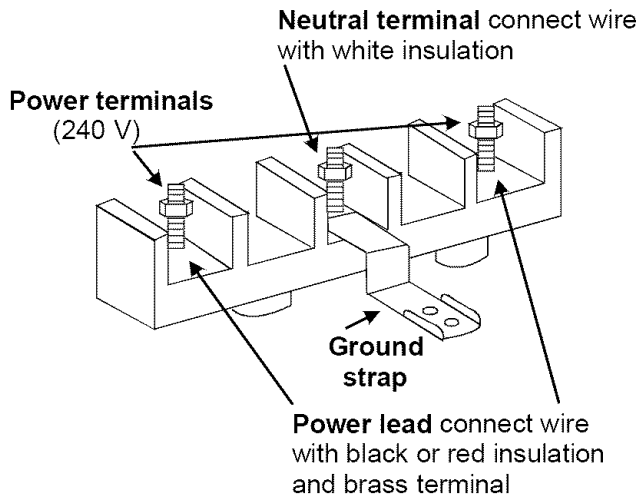
Range Terminal Block

Connection block is located at bottom rear of range behind rear cover panel. Remove rear cover screw. Directly below terminal block is a hole for a power supply cord. Power cord is not supplied with range.



Attach Power Cord

Range has been grounded at the factory to the center (nickel plated) terminal of the terminal block in accordance with the National Electrical Code (section 2560). When a separate ground is required by local code, disconnect the grounding strap from the terminal block. Ground frame by connecting a grounding wire to range frame using **only** the grounding screw removed from the grounding strap.



Terminal Block

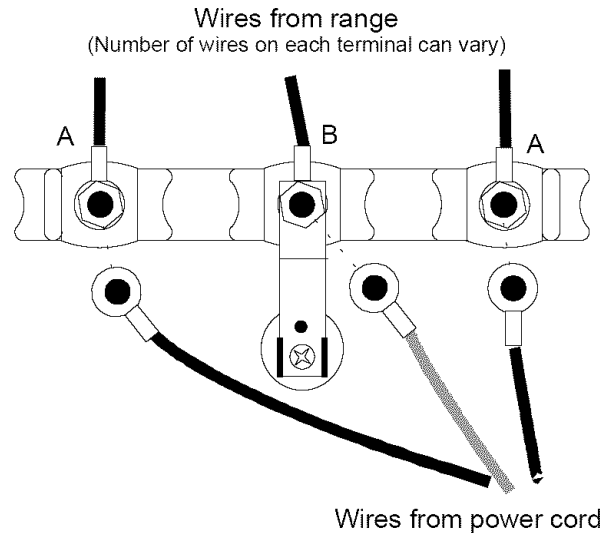
Terminal block is approved for copper wire connection only, NOT aluminum wiring. If aluminum house wiring is to be connected, the following procedure is suggested.

1. Connect length of copper building wire to range terminal block with ring terminals.
2. Splice copper wires to aluminum wiring using connectors which are designed certified by Underwriter's Laboratories and recognized for joining copper to aluminum. Follow the connector manufacturer's recommended procedure.
3. Wire used, location and enclosure of splices must conform to local codes.

Installing 3-Wire Power Cord

Refer to power cord instructions if available for additional information.

1. Remove rear wire cover on rear of range.
2. Place strain relief (winged clamp) in cord access hole below terminal block.
 - Strain relief is supplied with cord. Place wings through hole, entering from bottom. Screw holes in clamp should be below mounting panel. Place cord through strain relief.
3. Attach neutral (center) or white wire to center terminal on terminal block.
4. Attach power lead, red wire or black wire to left side power terminal.
5. Attach power lead, red wire or black wire to the right side power terminal.
6. After wires have been placed on terminals, attach with hex nuts provided.
 - Firmly tighten to ensure proper electrical connection.
7. Place screw through strain relief and tighten.
8. Replace rear wire cover.



- A—Power lead terminal (Connect black or red insulated wire and secure with brass nut.)
- B—Neutral terminal (Connect insulated white insulated wire and secure with brass nut.)

Installing 3-wire Power Cord

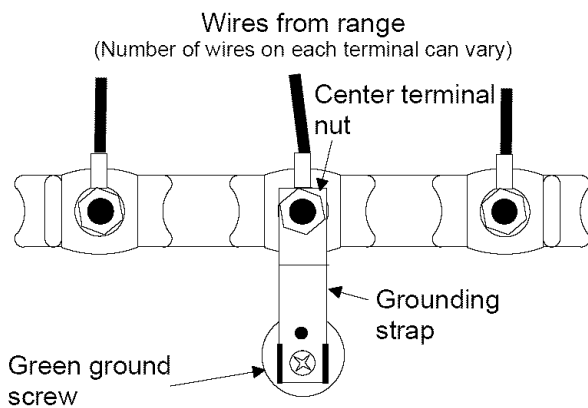
Installing 4-Wire Power Cord



WARNING

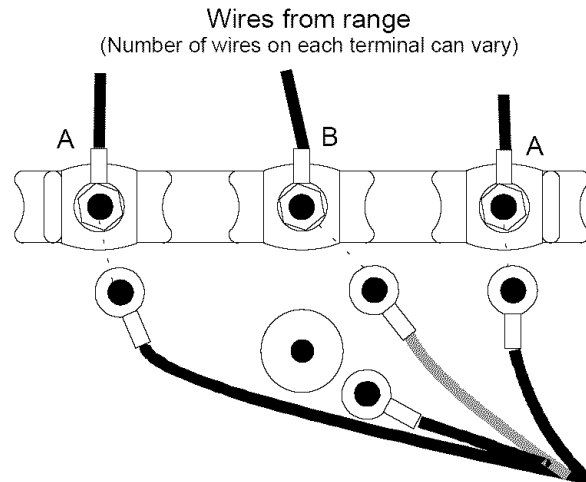
To avoid the risk of severe electrical shock or death, ground wire must be attached to frame of range, using ground screw provided. Ground wire must not contact any other terminal.

1. Remove rear wire cover on back of range.
2. Place strain relief (winged clamp) in cord access hole below terminal block.
 - Strain relief is supplied with cord. Place wings through hole entering from bottom.
 - Screw holes in clamp should be below mounting panel.
3. Remove green ground screw (retain for use in step 8) and unscrew brass nut on center terminal. Remove grounding strap.



Remove Green Ground Screw

4. Place cord through strain relief.
5. Attach cord neutral (center) or white wire to center terminal on terminal block. Secure with hex nuts provided. See "Attach 4-wire Power Cord" illustration.
6. Attach power lead, red wire or black wire to left terminal. Secure with hex nuts provided.
7. Attach power lead, red wire or black wire to right terminal. Secure with hex nuts provided.

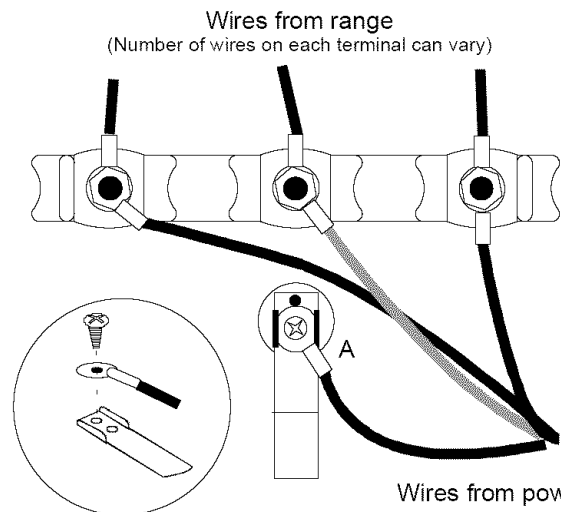


Wires from power cord

- A—Power lead terminal (Connect black or red insulated wire and secure with brass nut.)
 B—Neutral terminal (Connect insulated white insulated wire and secure with brass nut.)

Attach 4-wire Power Cord

8. Position grounding strap down and away from terminal block. Attach green or bare wire and grounding strap to back of range using green ground screw previously removed in step 3.



- A—Ground screw (Connect green insulated wire and secure with screw.)

Position Grounding Strap

9. Firmly tighten all connections to ensure proper electrical connection.
10. Place screw through strain relief, tighten, and replace rear wire cover.

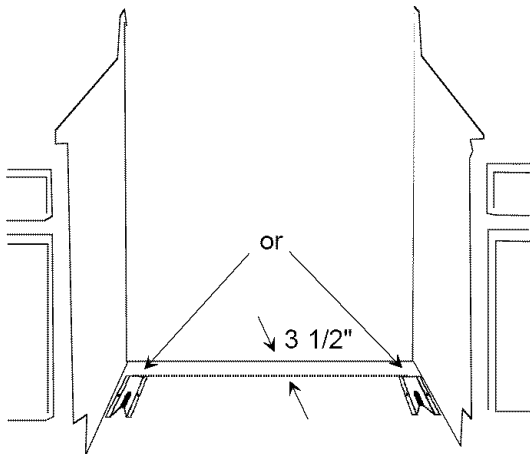
Converting 3-Wire to 4-Wire Power Cord

1. Remove rear wire cover.
2. Remove bottom strain relief screw and retain for further use.
3. Remove screw/hex nuts from terminal block and retain for further use.
4. Remove all 3-wire or cable leads from the terminal block and proceed to remove the power cord from the range by pulling in a downward motion so the cord is removed from strain relief.
5. To install the 4-wire cord, please follow step 3 through step 9 of *Installing 4-Wire Power Cord* section.

Anti-tip Bracket Installation

To reduce risk of range tipping, secure range with a properly installed anti-tip bracket.

1. Measure $3\frac{1}{2}$ inches from back wall on right and left side of cabinet cutout. Mark measurements on floor and draw a straight line connecting marks.
2. Position anti-tip bracket.
 - If range is installed beside cabinet(s), place anti-tip bracket with back edge on line drawn on floor and side of bracket against cabinet.
 - If range is not installed beside cabinet(s), position range where it will be installed. Draw a line along side of range on floor from front to back. Remove range. Place anti-tip bracket with back edge over line drawn $3\frac{1}{2}$ inches from back wall and side of bracket over line drawn along side of range on floor.
 - Anti-tip bracket can be installed on either right or left side.



Anti-tip Bracket Installation

3. Mark 2 hole locations in anti-tip bracket.

4. Drill 2 holes.
 - If drilling into wood, use a $\frac{3}{32}$ -inch drill bit.
 - If drilling into concrete, use a $\frac{3}{16}$ -inch masonry drill bit and insert plastic anchors.
5. Secure bracket to floor using screws supplied.
6. Slide range into position, remove range storage drawer or lower panel and confirm anti-tip bracket is engaged with range leveling leg.

Level Range



To avoid damaging oven door, do not lift or move range by oven door handle. Glass can break.

Carefully level range using legs provided. Range must be level to cook and bake uniformly.

- Place a level on top oven rack or on range top when leveling.
- Leveling legs must extended $\frac{1}{4}$ inch to engage anti-tip bracket.

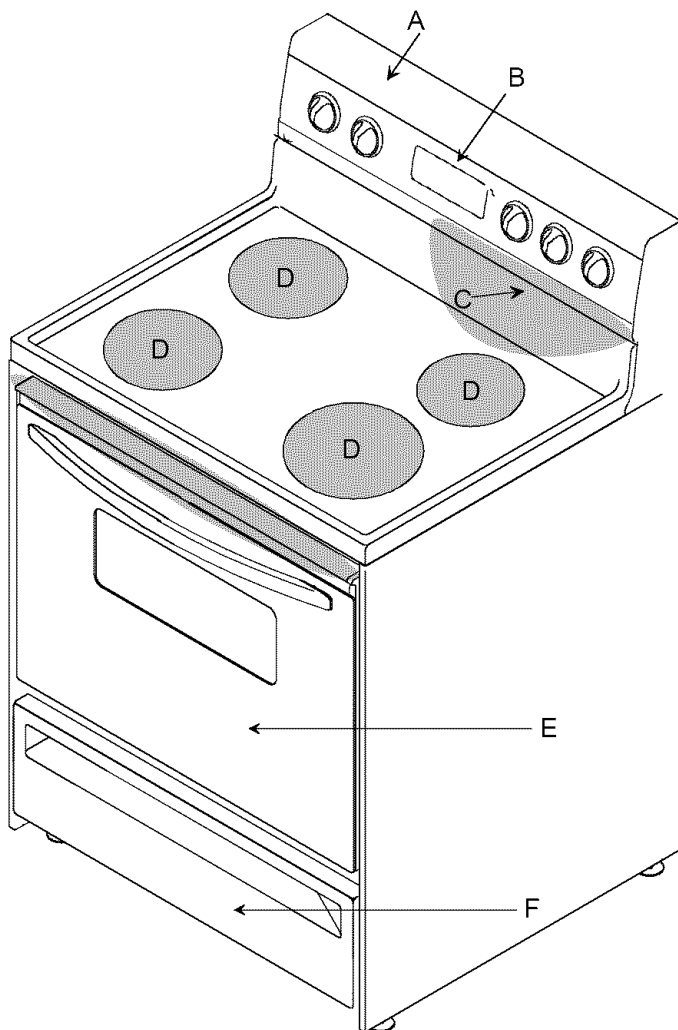
Removal and Replacement of Range

1. Disconnect power to range.
2. Slide range forward.
3. Unplug range cord and place range aside.
4. Remove anti-tip bracket.
5. Install anti-tip bracket into new location using instructions provided with bracket or see *Anti-tip Bracket Installation* section in this manual.
6. To reinstall range, follow instructions in *Installation* section of this manual.

Operation

Range Features

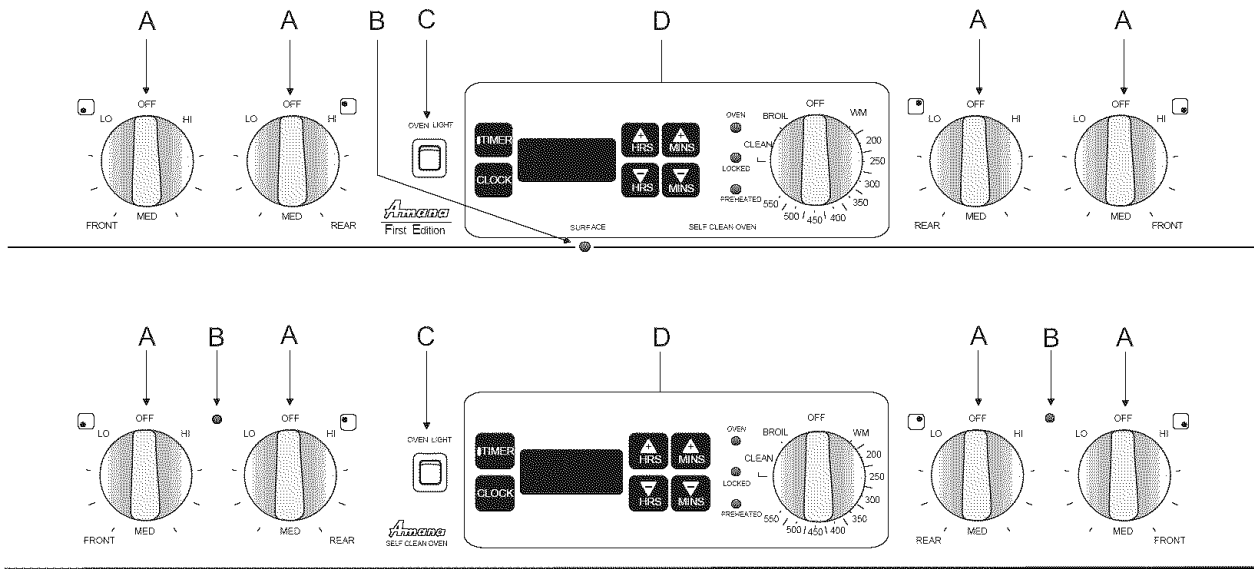
Shaded areas can become hot while cooking, baking, broiling, or self-cleaning.



- A—Range Control Panel
- B—Electronic Range Control
- C—Oven Vent
- D—Surface Element
- E—Oven Door (Window on Some Models Only)
- F—Storage Drawer or Panel

Range Features

Range Control Panel



A	Surface element control knob	<p>Use to turn surface elements on and off. Settings:</p> <p>LO—Use to prepare food at less than boiling temperatures or to simmer.</p> <p>MED—Use to maintain boiling of larger amounts of food, low temperature frying and to maintain correct pressure in a pressure cooker.</p> <p>HI—Use to bring food to boiling temperatures. When food is boiling temperature setting should be reduced to MED through HI.</p>
B	Surface element indicator light	<p>Some ranges have two indicator lights, one for elements on right side and one for elements on left side of range. When either front or rear element is on, corresponding indicator light glows.</p> <p>Some ranges have one indicator under clock. When any element is on, indicator light glows.</p> <p>Smoothtop ranges can have one or two indicator lights. After the surface controls are turned off, the appropriate surface indicator light will continue to glow until the surface elements have cooled. The time each light remains on will vary. Do not expect the lights for two different heating areas to go off at the same time even if the elements were turned off simultaneously.</p>
C	Oven light switch	<p>Used to light inside of oven. On some models, light turns on when oven door is opened. On all models, switch located next to clock, turns oven light on and off without opening door.</p>
D	Range control	<p>Used to control oven functions like baking, broiling, and self-clean. Also controls clock and minute timer. (Figure 8)</p>

Preparing to Cook with Smoothtop Elements (Some Models)

WARNING

To avoid risk of serious personal injury never cook on a broken smoothtop cooking surface. Spillovers or cleaners can penetrate surface and create a risk of electrical shock. If smoothtop cooking surface breaks, discontinue use and notify an authorized servicer immediately.

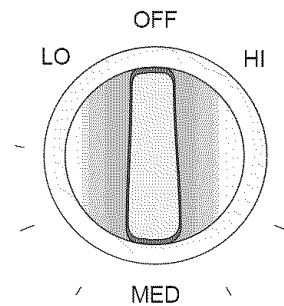
- Before cooking on smoothtop, wipe top with cleaner conditioner. Conditioning smoothtop before use makes marks and stains easier to remove.
- Use heavy-gauge metal cookware not including cast iron.
- Bottom of cookware must be flat. Cookware that is warped or slightly curved on the bottom heats slowly and may not boil water. Cookware with an aluminum disk bottom makes excellent contact with cooking surface. See *Utensils* section for more information.
- Smoothtop cooking surface is not “scratch proof”. Surface is highly scratch and impact resistant. With recommended cooking utensils and proper care, it will continue looking good through years of use.
- Do not use glass, glass-ceramic, or enamel-porcelain cookware. Small imperfections on bottom of such cookware can scratch smoothtop surface.

Cooking with Surface Elements

WARNING

To avoid risk of serious personal injury, property damage, or fire, do not leave surface elements unattended while in operation. Grease and spillovers can ignite causing a fire.

1. Push in and turn surface element control to desired setting.
 - Smoothtop elements will cycle on and off to maintain desired heat setting.
 - Some ranges have two indicator lights, one for elements on right side and one for elements on left side of range. When either front or rear element is on, corresponding indicator light glows.
 - Some ranges have one indicator under clock. When any element is on, indicator light glows.
 - Smoothtop ranges can have one or two indicator lights. After the surface controls are turned off, the appropriate surface indicator light will continue to glow until the surface elements have cooled. The length of time each light remains on will vary. Do not expect the lights for two different heating areas to go off at the same time even if the elements were turned off simultaneously.
2. When finished cooking, turn control to *OFF* position.



Surface Element Control Knobs

Surface Element Settings

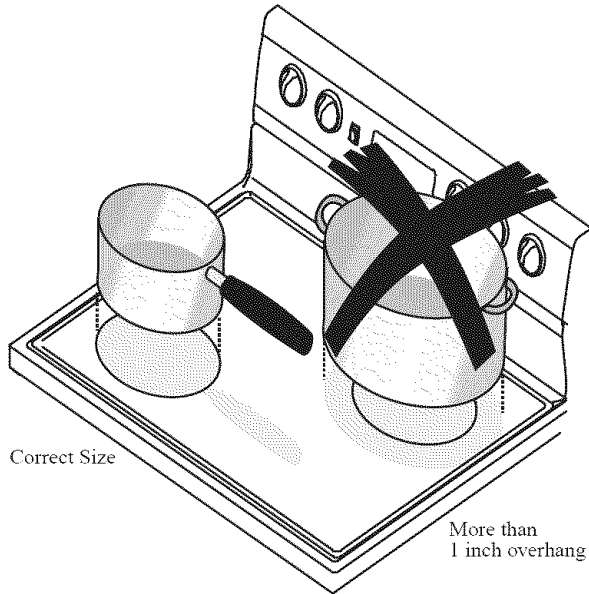
LO—Use to prepare food at less than boiling temperatures or to simmer.

MED—Use to maintain boiling of larger amounts of food, low temperature frying and to maintain correct pressure in a pressure cooker.

HI—Use to bring food to boiling temperatures. When food is boiling temperature setting should be reduced to LO through MED.

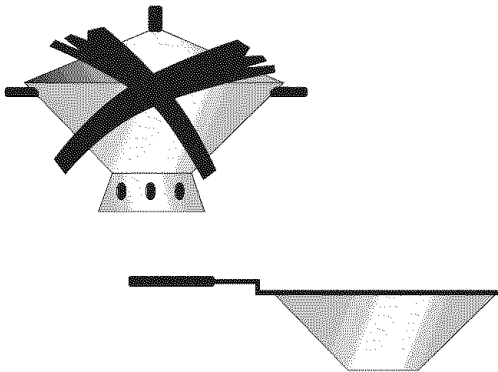
Utensils

- Use proper pan size. Do not use a pan that has a bottom smaller than element. Do not use utensils that overhang element by more than 1 inch.



Utensil Size

- Use care when using glazed cooking utensils. Some glass, earthenware, or other glazed utensils break due to sudden temperature changes. Do not use glazed utensils on smoothtop ranges.
- Select utensils without broken or loose handles. Handles should not be heavy enough to tilt pan.
- Do not use a wok with a ring stand. Use flat bottom wok.

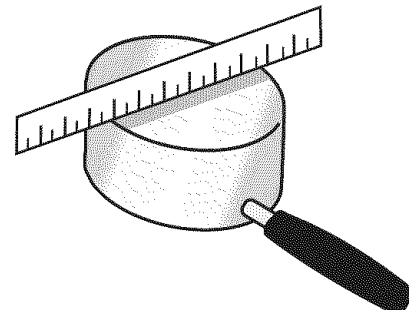


Woks

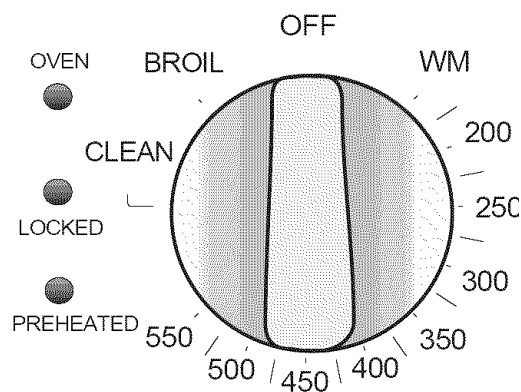
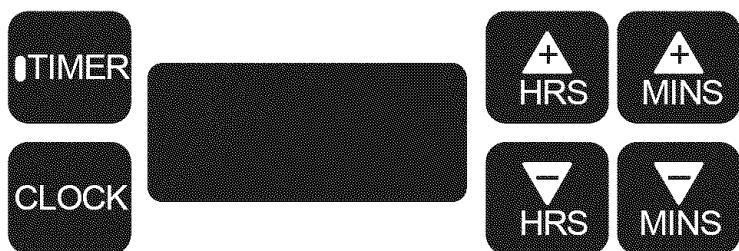
Utensil Material Characteristic		
Type	Temperature Response	Uses
Aluminum	Heats and Cools Quickly	Frying, Braising, Roasting
Cast Iron	Heats and Cools Slowly	Low Heat Cooking, Frying
Copper Tin Lined	Heats and Cools Quickly	Gourmet Cooking, Wine Sauces, Egg Dishes
Enamelware	Depends on Base Metal	Low Heat Cooking
Ceramic (Glass)	Heats and Cools Slowly	Low Heat Cooking
Stainless Steel	Heats and Cools at Moderate Rate	Soups, Sauces, Vegetables, General Cooking

For best cooking results, use a pan with a flat bottom. Determine if pan has a flat bottom.

- Rotate a ruler along bottom of pan. If pan is not flat, gaps between bottom of pan and edge of ruler occur.
- A small groove or mark on a pan does not effect cooking times. However, if a pan has a gap, formed rings, or an uneven bottom, it does not cook efficiently and in some cases may not boil liquid.



Flat Pan Bottom



Oven Control

TIMER Pad	Selects timer feature. Timer can be set up to 11 hour 59 seconds. Timer does not control oven operation. <i>TIMER</i> pad has light that flashes when timer is being set and glows when timer is counting down.
CLOCK Pad	Press to set clock and turn clock display on and off.
HRS Pads	Increases or decrease time by hours.
MIN Pads	Increase or decrease time by minutes.
OVEN Light	Glow when oven is on. Light flashes after self-clean cycle turns off as a reminder to turn temperature knob to <i>OFF</i> .
LOCKED Light	Glow when oven door is locked and oven is set for self-cleaning. After self-clean cycle, light flashes. Unlatch oven door and turn temperature knob to <i>OFF</i> .
PREHEATED Light	Glow when oven reaches selected temperature.
Temperature Knob	Controls oven temperature, self-clean, and broil. Push-to-turn knob prevents accidentally turning oven on.
Time Display	Shows the time-of-day and timer minutes. Timer light allows the user to identify timer mode quickly and easily.

Other Features

12-hour automatic cancel	As a safety feature, oven control automatically shuts off oven after 12 hours of operation. This feature can be turned on or off. To allow the oven to operate for more than 12 hours, confirm temperature knob is in <i>OFF</i> position. Then, press and hold the <i>MINS</i> + and - pads for approximately 4 seconds. Display will change from time-of-day, show "OFF", and then return to time-of-day. To set oven to shut off after 12 hours, confirm temperature knob is in the <i>OFF</i> position. Then, press and hold the <i>MINS</i> + and - pads for approximately 4 seconds. Display will change from time-of-day, show "ON", and then return to time-of-day.
Service codes and tones	Electronic oven control is equipped with a self diagnostic system. Self diagnostic system alerts you if there is an error or problem in the control. If the range control sounds a series of short, rapid beeps for over 16 seconds and display shows a F-code, record the F-code shown. Some F-codes can be cleared by disconnecting power to the range. If the code continues to reoccur call an authorized servicer. Disconnect electrical supply to range and contact an authorized servicer. F2—High Oven Temperature F3—Temperature Sensor Malfunction F4—Temperature Sensor Malfunction

Setting Electronic Clock

Electronic clock has 3 modes—Clock displayed, set clock (flashing), and clock not displayed. Press *CLOCK* pad to advance through modes.

When power is connected or restored, display flashes until pad is pressed or temperature knob is turned. Reset clock.

1. Verify display is flashing.
 - If display does not flash, press *CLOCK* pad repeatedly until display flashes.
2. Press *HRS* + or - pad to set hours and *MINS* + or - pad to set minutes.
3. Press *CLOCK* pad to save time-of-day.
 - Clock saves time-of-day approximately 60 seconds after time is entered if *CLOCK* pad is not pressed.

Turning Off/On Clock Display

Press *CLOCK* pad until display is blank. Clock retains time while not displayed. To turn on display, press *CLOCK* pad until time-of-day displays and is not flashing.

Setting Electronic Timer

The minute timer is a timer only. Electronic timer does not control bake, broil, or self-clean function. Timer can be set up to 11 hours and 59 minutes.

1. Press *TIMER* pad.
2. Press *HRS* + or - pad to set hours and *MINS* + or - pad to set minutes.
 - Timer begins counting down automatically after time is entered.
 - To view clock while timer counts down, press *CLOCK* pad. To view timer again, press *TIMER* pad.
3. Press *TIMER* pad again to cancel.

Resetting and Canceling Timer

To reset or cancel timer, display must show remaining time. If display does not show remaining time, press *TIMER* pad.

To reset the time when remaining time is displayed, press the *HRS* + or - pad to set hours and *MINS* + or - pad to set minutes until new time displays.

To cancel timer when remaining time is displayed or signal after time elapses, press *TIMER* pad.

Prepare to Bake

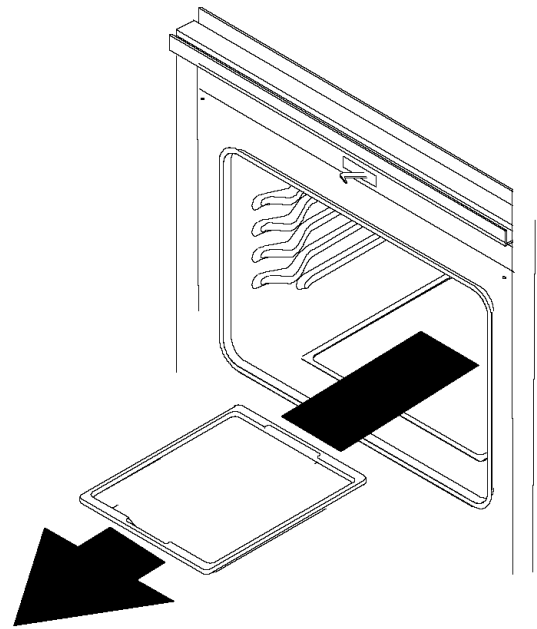


CAUTION

To reduce risk of food poisoning due to bacterial growth and production of toxins, never hold meat, milk, fish or eggs for more than 2 hours before cooking.

Remove Items Stored in Oven

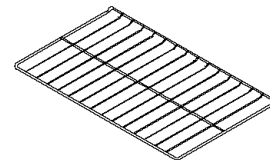
Remove any pans and other cooking utensils stored in oven.



Remove Items Stored in Oven

Oven Racks

Use for normal baking.



Standard Oven Rack

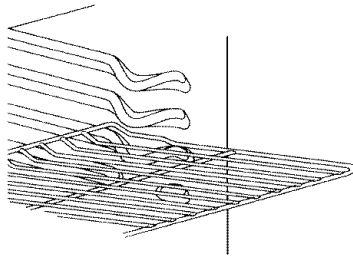
Oven Rack Placement

Position oven rack before turning oven on.

WARNING

To avoid damaging oven liner or creating fire, do not line oven bottom or oven racks with foil.

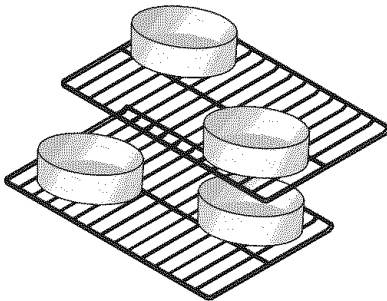
1. Pull rack forward to stop position.
2. Raise front edge of rack and pull until rack is out of oven.
3. Place rack in new rack position.
 - Curved edge of rack must be toward rear of oven.



Oven Rack Placement

Bake Pan Placement

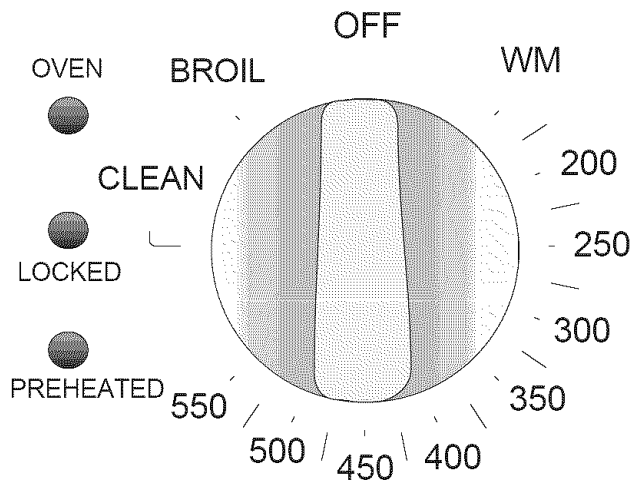
- Keep pans and baking sheets 2 inches from oven walls.
- Stagger pans placed on different racks so one is not directly over the other.



Pan Placement

Baking

1. Open oven door to confirm nothing is stored in oven cavity and set racks to proper height.
2. To preheat oven, turn oven temperature knob to desired temperature.
 - Oven indicator light glows if knob is set to any position but *OFF*.
 - When oven reaches desired temperature, *PREHEATED* light glows and oven beeps 6 times.
3. Place food in oven.
 - If self-clean lever is moved to lock position while baking, *LOCKED* light flashes and oven does not heat. Move lever to unlocked position to resume baking.
4. After cooking time elapses, remove food and turn oven temperature knob to *OFF*.



Temperature Knob

Adjusting Factory Set Baking Temperature

Oven temperature is set at factory. When first using oven, follow recipe times and temperatures. If you think oven is too hot or too cool, temperature can be adjusted. Before adjusting oven baking temperature, test a recipe by using a temperature set higher or lower than the recommended temperature. The baking results should help you to decide how much adjustment is needed.

1. Turn oven temperature knob to *OFF*.
2. Press and hold *HRS +* and *HRS -* pad for approximately 5 seconds.
3. Immediately, press either *HRS +* or *HRS -* pad.
 - *HRS +* increases oven temperature by 5°F.
 - *HRS -* decreases oven temperature by 5°F.
 - Oven temperature can be changed up to 35°F.
 - When temperature is adjusted cooler “-” shows in display followed by offset temperature.
 - After a few seconds control saves new setting and returns to previous display.

Broiling

Broiling system generates immediate, intense heat using a special reflector. This reflector focuses heat directly on the food; searing in natural juices and providing restaurant quality, charbroiled flavor.



WARNING

To avoid risk of fire, do not line the broiler grid with foil.

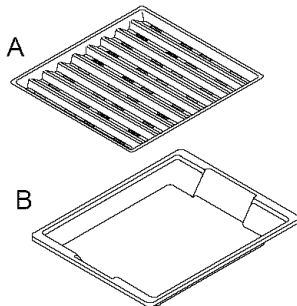
- Foil may trap grease on top of grid close to burner causing a fire.
- Never leave oven unattended while broiling. Overcooking may result in a fire.

Broiling Tips

- Remove excess fat from meat before broiling. Cut edges of meat to prevent curling.
- Place food on a cold ungreased broiling pan. If pan is hot, food sticks.
- All food except fish should be turned at least one time. Begin broiling with skin side down.
- Season meat after it has browned.
- Broiling does not require preheating.
- Begin cooking using suggested rack levels in *Broiling Guide* section to test broiler results. If food is not brown enough, cook on a higher rack position. If food is too brown, cook on a lower rack position.

Broiling

1. Center food on broiling grid and pan, and place on rack in oven.
 - Oven door can be opened to first stop when broiling.



A—Broiler Grid
B—Broiler Pan

Broiler Pan and Grid

2. Turn oven temperature knob to *BROIL*.
 - Oven indicator light glows.
 - If self-clean lever is moved to lock position while broiling and oven door is closed, *LOCKED* light flashes and oven does not heat. Move lever to unlocked position to resume broiling.
3. After broiling, remove food and turn oven temperature knob to *OFF*.

Prepare for Self-clean



WARNING

To avoid risk of personal injury, do not touch oven vents or areas around vents during self-cleaning. These areas can become hot enough to cause burns.

To avoid risk of smoke damage or fire, clean excess spills from oven interior.



CAUTION

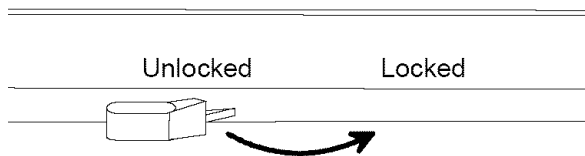
To avoid fire or smoke damage, remove any flammable materials from storage drawer. Items like plastic containers and paper manuals can melt or burn.

- A small amount of smoke is normal when cleaning. Excess smoke may indicate a faulty gasket or too much food residue has been left in oven. Move birds and small animals susceptible to fumes or smoke to another room.
- Oven should be cleaned before it gets too dirty. Wipe up large spills before self-cleaning.
- Do not use cleaning cycle if oven light cover is not properly in place.
- Remove oven racks and all cooking utensils from oven.
- Clean excess spills from oven interior.
- Remove items from range top and backguard. These areas can become hot during self-cleaning cycle.

Self-cleaning

Self-clean feature uses high oven temperature to clean oven interior.

1. Prepare oven for self-cleaning.
 - Remove oven racks and all cooking utensils from oven.
 - Clean excess spills from oven interior.
 - Remove items from rangetop and backguard. These areas can become hot during self-cleaning cycle.
2. With oven door closed, move oven door lever located above oven door to right to lock oven door.
 - If oven is too hot before starting self-clean cycle, oven lever will not move to locked position. Allow oven to cool before starting cycle.



Self-clean Oven Lock

3. Turn oven temperature knob to *CLEAN* position.
 - If oven temperature knob is set before oven door lever is moved, *LOCKED* light flashes. Move oven door lever to locked position.
 - *LOCKED* and *OVEN* indicator light glows.
 - Self-clean cycle lasts for approximately 4 hours. After self-clean cycle, *OVEN* and *LOCKED* lights flash. Turn temperature knob to *OFF* position and move oven door lever to unlocked position.

Interrupt Self-Clean Cycle

1. Turn oven temperature knob to *OFF* position.
2. When oven has cooled to a safe temperature, *LOCKED* light flashes. Door can be unlocked and opened.
 - Do not force door lever open. If door lever is forced, lock can be damaged.

After Self-cleaning Cycle

Turn oven temperature knob to *OFF* position when finished. After oven has cooled *LOCKED* light flashes. Door can be unlocked and opened.

Cooking Guide

Baking Guide

Follow these recommendations only as a guide for times and temperatures. Times, rack position, and temperatures may vary depending on conditions and food type. For best results, always check food at minimum time.

Food	Oven Temperature (°Fahrenheit)	Cooking Time (Minutes)
Angel Food Cake	350	28–50
Biscuits	350–375	8–16
Muffins	375–400	17–23
Cookies	325–350	7–18
Cupcakes	325–375	15–20
Brownies	325–350	25–35
Layer Cakes	325–350	20–30
Pound Cake	325	40–60
Fresh Pies	375–425	35–50
Nut Bread	350	45–55

Poultry Roasting Guide

Follow these recommendations only as a guide for times and temperatures. Times, rack position, and temperatures may vary depending on conditions and food type. For best results, always check food at minimum time.

Food	Oven temperature (°Fahrenheit)	Cooking time (Hours)
Whole Chicken (4 lbs to 5 lbs)	375	1½–1¾
Whole Chicken (Over 5 lbs)	375	1¾–2
Turkey (6 lbs to 8 lbs)	325	3½–4
Turkey (8 lbs to 12 lbs)	325	4–4½
Turkey (12 lbs to 16 lbs)	325	5½
Turkey (16 lbs to 20 lbs)	325	5½–7
Turkey (20 lbs to 22 lbs)	325	7–8½
Duck (3 lbs to 5 lbs)	325	1½–2

Beef and Pork Roasting Guide

Follow these recommendations only as a guide for times and temperatures. Times, rack position, and temperatures may vary depending on conditions and food type. For best results, always check food at minimum time.

Food	Oven Temperature (°Fahrenheit)	Cooking time (Minutes per pound)
Beef Roast (Rare)	325	20–25
Beef Roast (Medium)	325	26–30
Beef Roast (Well)	325	33–35
Rolled Roast (Rare)	325	32–36
Rolled Roast (Medium)	325	36–40
Rolled Roast (Well)	325	43–45
Fresh Whole Ham	325	22–28
Pork Loin	325	35–40
Pork Shoulder, Butt	325	40–45
Pork Picnic Shoulder	325	35–40
Mild Cured Ham Picnic, Shoulder	350	30–35

Broiling Guide

Follow these recommendations only as a guide for times and temperatures. Times, rack position, and temperatures may vary depending on conditions and food type. For best results, always check food at minimum time.

Food	Thickness (Doneness)	Rack position (1=Highest 5=Lowest)	Cooking time (Minutes)
Beef Steak	1" (med.)	3	14–16
Beef Steak	1" (well)	3	23
Beef Steak	1½" (med.)	3	23–28
Beef Steak	1½" (well)	3	33
Beef ground	(¾"–1")	4	12–17
Fish Fillets and Steaks		4	15–20
Pork Chops or Steak	1"	3	15–16
Pork Chops or Steak	1½"	3	23–28
Bacon		4	12–17
Ham Slice (pre-cooked)	½"	3	20–25
Ham Slice (pre-cooked)	1"	3	25–30

Care and Cleaning

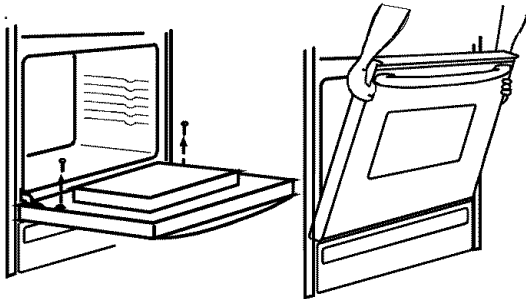
Removing Oven Door

CAUTION

To avoid personal injury or property damage, handle oven door with care.

- Door is heavy and can be damaged if dropped.
- Avoid placing hands in hinge area when door is removed. Hinge can snap closed and pinch hands.
- Do not scratch or chip glass, or twist door. Glass may break suddenly.
- Replace door glass if damaged.
- Do not lift door by handle.

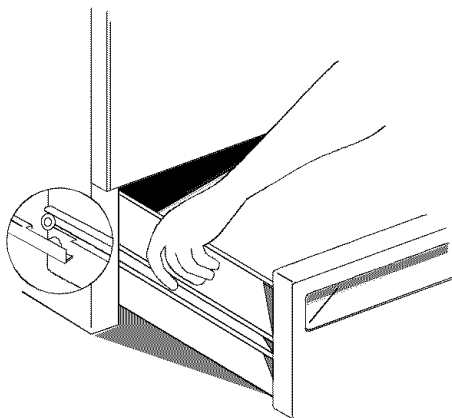
1. Open door fully.
2. Remove screws.
 - Oven doors are attached with a screw on each side of lower oven door.
3. Close door to first stop, grasp door firmly on each side, and lift upward until door is off hinges.
 - Do not lift door by handle. Glass can break.
 - Only push hinges closed once oven door is removed if necessary. Use both hands when closing hinge. Hinge snaps closed.



Removing Oven Door

Removing Storage Drawer (Some Models)

1. Slide drawer out until it stops.
2. Grasp drawer sides near back of drawer.
3. Lift up and out. Reverse to reinstall.



Removing Storage Drawer

Replacing Oven Light

WARNING

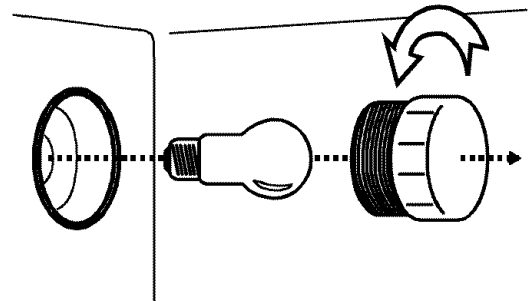
To avoid risk of burns or electrical shock, disconnect electrical supply to oven before changing light bulb.

- Before replacing light bulb make sure bulb is cool.
- Do not operate oven without bulb and cover in place.

CAUTION

Wear gloves to protect hands from accidental bulb breakage.

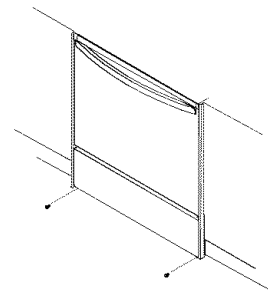
1. Disconnect electrical supply.
2. Remove oven door if desired.
3. Unscrew light bulb cover located in rear of oven cavity. Then turn light bulb counterclockwise to remove.
4. Replace light bulb with 120-volt, 40-watt appliance bulb.
 - Do not overtighten bulb or it may be difficult to remove later.
5. Replace light bulb cover and oven door before use.
6. Reconnect power supply.



Replacing Oven Light Bulb

Removing Panel (Some Models)

1. Remove 2 screws at bottom of panel.
2. Push panel up so tabs on top of panel clear range frame.
3. Lift panel away from range.
 - Reverse to reinstall.



Removing Panel

Cleaning

Part	Materials to Use	General Directions
Bake and broil, element		Do not clean bake element or broil element. Any soil will burn off when element is heated. Bake element is hinged and can be lifted to clean oven bottom.
Broiler pan and grid	Soap and a nonabrasive plastic scouring pad	Drain fat, cool pan and grid slightly. (Do not let soiled pan and grid stand in oven to cool.) Sprinkle with soap. Fill the pan with warm water. Let pan and grid stand for a few minutes. Wash or scour if necessary. Rinse and dry. The broiler pan and grid may also be cleaned in the dishwasher.
Burner bowls	Soap and water	The burner bowls can be removed for ease in cleaning. For extra dried on soil, soak the bowls in warm soapy water.
Coil element	Soap and water	The coil elements do not need to be cleaned. Any food spilled on the element during cooking will burn off. Never immerse coil elements in water.
Control knobs	Mild soap and water	Pull off knobs. Wash gently but do not soak. Dry and return controls to oven, making sure to match flat area on the knob to the flat area on shaft.
Smoothtop	Soap and water or smoothtop cleaner conditioner	Allow top to cool before cleaning. Wash surface with a dampened cloth and soapy water. For extra dried on soil, scrub surface with smoothtop cleaner conditioner available from an Amana Dealer. A single edge razor blade can be used to scrape off dried on soil. Do not use a harsh cleanser or steel wool pad. Metal markings should be cleaned after each use. If metal markings are allowed to remain on the top they will become increasingly difficult to remove.
Inside oven door	Soap and water	Clean the outside of the door and the window area with warm soapy water. Do not clean the oven door gasket. Gasket should not be moved while cleaning. Avoid getting any cleaning materials on gasket.
Outside finish and backguard	Soap and water	Wash all glass with cloth dampened in soapy water. Rinse and polish with a dry cloth. If knobs are removed, do not allow water to run down inside surface while cleaning.
Oven interior surfaces	Soap and water	Cool before cleaning. Frequent wiping with mild soap and water prolongs time between self-cleanings. Be sure to rinse thoroughly.
Oven racks and storage drawer	Soap and water	For heavy soil, clean by hand and rinse thoroughly. Remove the drawer and racks for ease in cleaning. Be sure drawer is dry before replacing.

Cleaning Smoothtop Rangetop

Problem	Cause	To Prevent	To Remove
Brown streaks and specks	Cleaning with a sponge or cloth containing soiled detergent water.	Use smoothtop cleaner conditioner with clean damp paper towel.	Use light application of smoothtop cleaner conditioner with clean damp paper towel.
Blackened, burned-on spots	Spatters or spillovers landing on a hot cooking area or accidental melting of plastic like a bread bag.	Wipe all spillovers when it is safe to touch cooking surface. Do not place plastic items on warm cooking area.	Clean area with smoothtop cleaner conditioner with clean damp paper towel, nonabrasive nylon pad, or scouring brush. If spot is not removed, allow cooktop to cool and carefully scrape area with a safety scraper held at a 30 degree angle.
Fine brown gray lines or fine scratches or abrasions which have collected soil	Course particles, like salt, become embedded in top if trapped under pan. Using abrasive cleaning materials. Scratches from rough ceramic, glass or ceramic-coated cookware.	Wipe bottom of cookware before cooking. Clean top daily with smoothtop cleaner conditioner with clean damp paper towel. Do not use ceramic or ceramic-coated cookware.	Fine scratches are not removable but can be minimized by daily use of smoothtop cleaner conditioner.
Smearing or streaking	Using too much smoothtop cleaner conditioner or using a soiled dish cloth.	Use small amounts of smoothtop cleaner conditioner. Rinse area thoroughly before drying. Use only clean damp paper towel, nonabrasive nylon pad, or scouring brush.	
Metal or silver/gray marks	Sliding or scraping metal utensils across top.	Do not slide metal objects across top.	Remove marks before top is used again. After top cools, clean marks with smoothtop cleaner conditioner with clean damp paper towel, nonabrasive nylon pad, or scouring brush. Rinse thoroughly and dry.
Pitting or flaking	Boilovers of sugar syrup on a hot rangetop can cause pitting if not removed immediately.	Watch sugar and syrups carefully to avoid boilovers.	Turn control to <i>LO</i> setting. Using several paper towels. Allow top to cool and carefully scrape area with a single edge razor blade held at a 30 degree angle.
Hard water spots	Condensation from cooking can cause minerals found in water and acids in food to drip onto rangetop and cause gray deposits. Spots are often so thin they appear to be in or under rangetop.	Make sure bottom of cookware is dry before cooking. Daily use of smoothtop cleaner conditioner helps keep top free of hard water, mineral deposits and food discoloration.	Mix smoothtop cleaner conditioner with water and apply thick paste to stained area. Scrub vigorously. If stain is not removed, reapply cleaner and repeat process. Also try cleaning process for "Smearing and streaking".

Before Calling for Service

Problem	Check
Oven light does work.	Check for loose bulb. Check for burned out bulb; replace with 40-watt appliance bulb.
Oven does not heat.	Confirm range is plugged in. If both oven and surface elements do not heat, check circuit breaker. Check control for proper setting.
Oven door will not open.	Wait for oven to cool. Door latch will release automatically after oven cools. Do not force lock lever.
Oven temperature is not accurate.	Store purchased oven thermometers do not measure oven temperature accurately. An accurate digital thermometer is necessary to calibrate oven. Check for blocked heat vents. Aluminum foil alters oven temperature. Change oven temperature through oven control.
Oven element cycles on and off.	This condition is normal when baking or roasting. To maintain a temperature for baking, oven cycles on and off. The temperature may vary up to 25°F higher or lower than the oven temperature set on the control.
The oven smokes the first few times it is turned on.	Minor smoking is normal first few times oven is used.
Odor or smoke while self-cleaning the oven.	There may be some smoke and odor during the first few cleaning cycles. If there is excessive smoke or odor, too much soil remains in the bottom of the oven. If the oven smokes excessively, turn off the oven, wait for oven to cool and wipe away excess soil. Reset the clean cycle.
Smoothtop element cycles on and off.	Normal condition.
Range top is warm during use .	Normal condition.
Food cooks slowly or will not maintain constant boil.	Improper cookware causes poor cooking results. Pan bottoms must be flat. Pans should be made of heavy material and be same diameter as surface element. See "Cooking Utensils" section.
Coil surface element does not heat.	Check to see if element is not plugged in. If element still does not heat, switch same size elements on range top to see if element is not working.
Indicator light(s) remain on after smoothtop surface element is turned off.	This is normal. Indicator light(s) will remain on until range surface cools.
Locked light flashes.	Thermostat knob is set to clean before oven door latch is moved to locked position. Lock lever is moved to the right while baking. Move lever to left and resume baking.
<i>OVEN</i> and <i>LOCKED</i> light flash.	Self-cleaning is finished. Turn thermostat knob to <i>OFF</i> .

Warranty

Amana[®] COOKING PRODUCTS (excluding wall ovens)

FULL ONE YEAR WARRANTY LIMITED SECOND YEAR WARRANTY ON ALL PARTS LIMITED THIRD THRU FIFTH YEAR WARRANTY ON GLASS/CERAMIC TOP, ELECTRIC SURFACE ELEMENTS, OR GAS SURFACE BURNERS

FIRST YEAR

Amana Appliances will repair or replace, including related labor and travel, any part (f.o.b. Amana, Iowa) which proves to be defective as to workmanship or materials.

SECOND YEAR

Amana Appliances will provide replacement part, part only (f.o.b. Amana, Iowa), which proves defective as to workmanship or materials.

THIRD THRU FIFTH YEAR

Amana Appliances will provide replacement glass/ceramic cooktop, part only (f.o.b. Amana, Iowa), which proves defective as to workmanship or materials.

THIRD THRU FIFTH YEAR

Amana Appliances will provide replacement electric surface elements or gas surface burners, part only (f.o.b. Amana, Iowa), which proves defective as to workmanship or materials.

OWNER'S RESPONSIBILITIES:

- Provide any defective part to an authorized Amana servicer.
- Provide proof of purchase.
- Provide normal care and maintenance, including cleaning as instructed in owner's manual.
- Replace owner replaceable items where directions appear in the owner's manual.
- Make product accessible for service.
- Pay for premium service costs for service outside servicer's normal business hours.
- Pay for service calls related to product installation and customer education.
- Pay for servicer's labor and travel expenses under limited warranty provisions.

ITEMS NOT COVERED:

- Normal product maintenance and cleaning.
- Light bulbs.
- Damages which occur in shipment and installation.
- General rebuilding or refurbishing that is not a legitimate warranty repair.
- Failures caused by:
 - Unauthorized service.
 - Grease or other material buildup due to improper cleaning or maintenance.
 - Accidental or intentional damage.
 - Connection to an improper gas or power supply.
 - Acts of God.
 - Use of improper pans, containers, or accessories that cause damage to the product.

WARRANTY LIMITATIONS:

- Begins at date of original purchase.
- Product used on a commercial, rental, or leased basis are not covered by this warranty.
- Applies to product used within the United States or in Canada if product has appropriate agency listing when shipped from the factory.
- Service must be performed by an authorized Amana servicer.
- Adjustments covered during first year only.

WARRANTY IS VOID IF:

- Serial plate is defaced.
- Product is altered by user.
- Product is not installed or used according to manufacturer's instructions.

IN NO EVENT SHALL AMANA APPLIANCES BE LIABLE FOR INCIDENTAL OR CONSEQUENTIAL DAMAGES*

*This warranty gives you specific legal rights and you may have others which vary from state to state. For example, some states do not allow the exclusion or limitation of incidental or consequential damages so this exclusion may not apply to you.

For answers to questions regarding the above or to locate an authorized Amana[®] servicer, contact:

Amana Appliances
2800 220th Trail
PO Box 8901
Amana, Iowa 52204-0001
USA
1-800-843-0304 inside U.S.A.
1-319-622-5511 outside U.S.A.





Quick Reference Instructions

Read "Important Safety Instructions" before using "Quick Reference Instructions". If there are unanswered questions, see detailed sections of this manual.

Setting Electronic Clock

1. Verify display is flashing.
2. Press *HRS* + or - pad to set hours and *MINS* + or - pad to set minutes.
3. Press *CLOCK* pad to save time-of-day.

Turning Off/On Clock Display

Press *CLOCK* pad until display is blank. Clock retains time while not displayed. To turn on display, press *CLOCK* pad until time-of-day displays and is not flashing.

Setting Electronic Timer

1. Press *TIMER* pad.
2. Press *HRS* + or - pad to set hours and *MINS* + or - pad to set minutes.
3. Press *TIMER* pad again to cancel.

Resetting and Canceling Timer

To reset time when remaining time is displayed, press the *HRS* + or - pad to set hours and *MINS* + or - pad to set minutes until new time displays.

To cancel timer when remaining time is displayed or signal after time elapses, press *TIMER* pad.

Automatic Oven Shut-off

As a safety feature, oven control automatically shuts off oven after 12 hours of operation. This feature can be turned on or off.

To allow oven to operate for more than 12 hours, confirm temperature knob is in *OFF* position. Then, press and hold the *MINS* + and - pads for approximately 4 seconds. Display will change from time-of-day and show "OFF".

To set oven to shut off after 12 hours, confirm temperature knob is in the *OFF* position. Then, press and hold the *MINS* + and - pads for approximately 4 seconds. Display will change from time-of-day and show "ON".

Operating Surface Elements

1. Push in and turn surface element control to desired setting.
2. When finished cooking, turn control to *OFF* position.

Baking

1. Open oven door to confirm nothing is stored in oven cavity and set racks to proper height.
2. To preheat oven, turn oven temperature knob to desired temperature.
3. Place food in oven.
4. After cooking time elapses, remove food and turn oven temperature knob to *OFF*.

Adjusting Factory Set Baking Temperature

1. Turn oven temperature knob to *OFF*.
2. Press and hold *HRS* + and *HRS* - pad for approximately 5 seconds.
3. Immediately, press either Press *HRS* + or *HRS* - pad.
 - *HRS* + increases oven temperature by 5°F.
 - *HRS* - decreases oven temperature by 5°F.

Broiling

1. Center food on broiling grid and pan, and place in oven.
 - Oven door should be opened to first stop.
2. Turn oven temperature knob to *BROIL*.
3. After broiling, remove food and turn oven temperature knob to *OFF*.

Self-Cleaning

1. Prepare oven for self-cleaning.
2. With oven door closed, move oven door lever located above oven door to right to lock oven door.
3. Turn oven temperature knob to *CLEAN* position.

Interrupt Self-Clean Cycle

1. Turn oven temperature knob to *OFF* position.
2. When oven has cooled to a safe temperature, *LOCKED* light flashes. Door can be unlocked and opened.
 - Do not force door lever open. If door lever is forced, lock can be damaged.

After Self-cleaning Cycle

Turn oven temperature knob to *OFF* position when finished. After oven has cooled *LOCKED* light flashes. Door can be unlocked and opened.

Free Manuals Download Website

<http://myh66.com>

<http://usermanuals.us>

<http://www.somanuals.com>

<http://www.4manuals.cc>

<http://www.manual-lib.com>

<http://www.404manual.com>

<http://www.luxmanual.com>

<http://aubethermostatmanual.com>

Golf course search by state

<http://golfingnear.com>

Email search by domain

<http://emailbydomain.com>

Auto manuals search

<http://auto.somanuals.com>

TV manuals search

<http://tv.somanuals.com>