

Mio Remote Charging Base

The Mio series of remotes are complemented either with a Mio-RCC charging base (FG147-02) or the Mio-RCC rechargeable upgrade kit (FG147-03K). One charging base, a new back housing and a Mio-RBP rechargeable lithium ion battery (FG147-10) are included with the rechargeable upgrade kit. The charging base upgrade kit transforms the Mio R-1 and Mio R-2 into a rechargeable device.



FIG. 1 Mio Remote Charging Base

Begin with *Installing The Rechargeable Battery on the Mio R-1 and R-2* for the Mio-RCC rechargeable upgrade kit (FG147-03K) or *Charging The Mio Remote with the Charging Base* for the Mio-RCC charging base (FG147-02).

Consult the operation/reference manuals for the Mio R-1, Mio R-2, Mio R-3, or Mio R-4 remotes for more information. These manuals are available at www.amx.com.

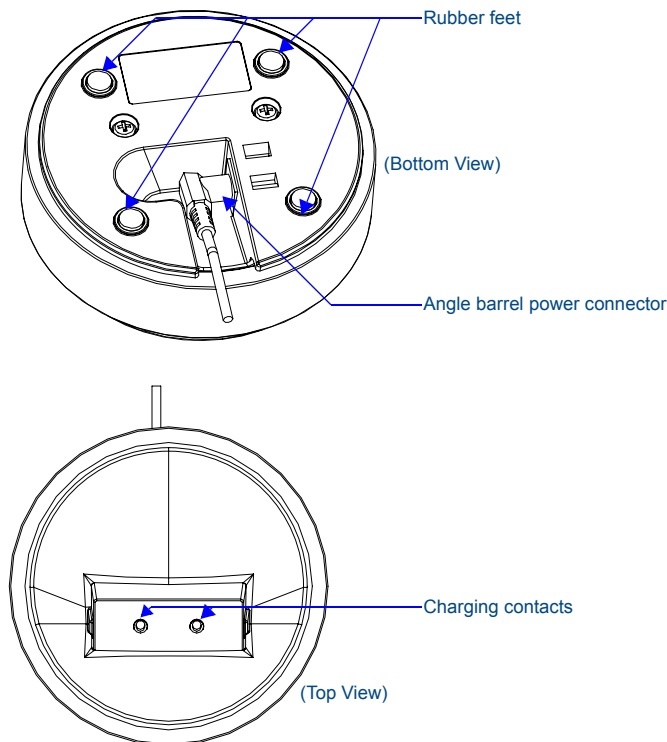


FIG. 2 Mio Remote Charging Base (Top and Bottom view)

Specifications

The specifications for the Mio remote charging base and kit are as follows:

Mio-RCC Remote Charging Kit (FG147-03K) with Base (FG147-02) Specifications	
Dimensions (HWD)	Charging Base - 1.61 (4.09 cm) (height); 4.25 (10.80 cm) (diameter) Lithium Ion Battery - 2.13" x 1.38" x .28" (5.41 cm x 3.45 cm x .71 cm)
Weight	<ul style="list-style-type: none"> • 1.15 lbs (.52 kg) - Remote Charging Cradle • .15 lbs (.07 kg) - Power Supply • .06 lbs (.027 kg) - Rechargeable Lithium Battery
Included Accessories:	<ul style="list-style-type: none"> • Rechargeable Lithium Ion battery (4 hours battery life) <i>Kit only</i> • Back housing <i>Kit only</i> • Mio-RCC Charging base (FG147-02) with Power Supply • Power supply <i>Kit only</i>
Other AMX Equipment:	<ul style="list-style-type: none"> • Mio-RCC Charging Base (FG147-02) with Power Supply • Mio R-1 (FG147) • Mio R-2 RF 418 (FG147-418) • Mio R-2 RF 433 (FG147-433) • Mio R-3 (FG148-03) • Mio R-4 (FG148-04) • Mio-RBP Rechargeable Lithium Ion Battery (FG147-10) • AXR-RF 418 MHZ RF Receiver (FG782-418) • AXR-RF 433 MHZ RF Receiver (FG782-433) • Mio Modero IR Receiver (FG5797-01xx; xx indicates color)

Installing The Rechargeable Battery on the Mio R-1 and R-2

1. Flip and turn the device so that the buttons are facing away from you and the device is upside down.
2. Holding the device in both hands, place your thumbs on the battery door and push up to slide the battery door free.
3. If present, remove the AAA batteries.
4. Remove the 6 screws shown in FIG. 3.

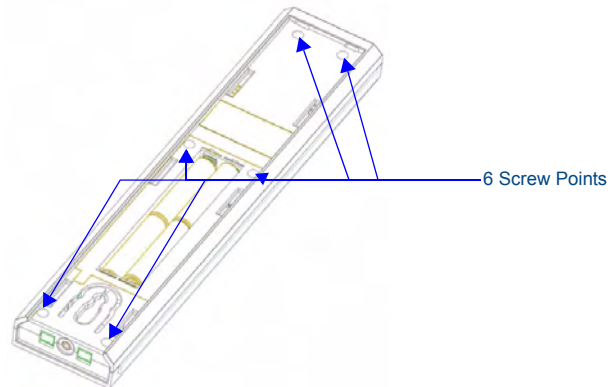
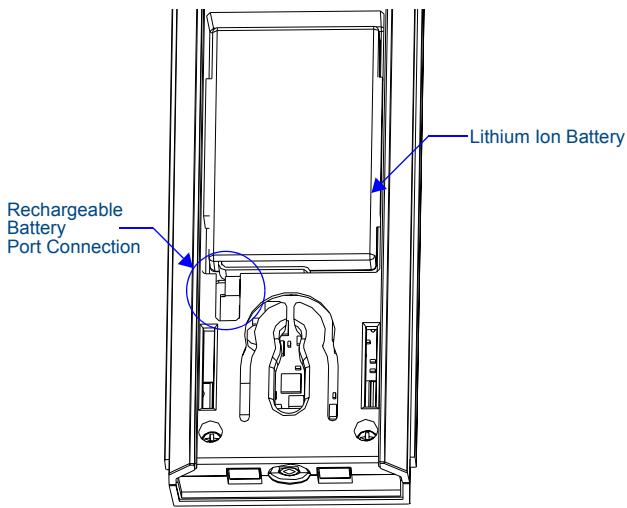


FIG. 3 6 Screw Points of the Back Housing for the Mio R-1/R-2

5. Remove the back housing.
6. Place the new housing on the device so that the rechargeable battery port connection is now accessible (FIG. 4).
7. Replace the 6 screws.
8. Connect the terminal end of the Lithium Ion battery to the port shown in FIG. 4. It may be necessary to use a thin, blunt object to fully seat the battery connector within its port.



Changing Battery Modes (Mio R-1 and R-2)

Configuration Mode

The Configuration Mode allows you to set the battery type on the Mio R-1 and R-2 remotes. To enter Configuration Mode:

1. Press and hold the **STOP** button and the **INPUT** button simultaneously. The two buttons must be pressed within 0.1 seconds of each other and held down for 2 seconds. The device indicates that you are now in Configuration Mode. See below for available modes.

Battery Type

2. Pressing button "6" on the remote toggles the battery type between *Normal* and *Recharge*. The display indicates the selected type. The type of battery dictates the battery type to be selected.
3. Press the **EXIT** key when you are finished.

Note: *Your settings will not be lost in the event your batteries die or are removed.*

FIG. 4 Rechargeable Battery Port on The Mio Remote

9. Press the battery between the rubber pads, with the sticker showing, in the housing area of the Mio remote. Confirm that the battery is flush with the bottom of the battery enclosure on the bottom housing.
10. Replace the battery door and slide to lock it in place.
11. Begin charging the battery.

Charging The Mio Remote with the Charging Base

The Mio remotes receive power for charging from a charging base. To recharge the battery in a Mio remote:

1. Connect the terminal end of the power supply to the bottom external power port on the Mio remote charging base. See FIG. 2 for the location.
2. Route the cable through the provided channel so that it comes out the side of the base.
3. Connect the power cord to an external power source.
4. Place the bottom of the Mio remote into the charging base so the contacts on the device are on top of the charging contacts inside the charging base. The Power LED on the Mio remote blinks red to indicate it is charging and illuminates solid red when it is done. Full charge cycle for a depleted battery is approximately 3 hours.

Avoid placing units equipped with AAA batteries in the charging base.

Free Manuals Download Website

<http://myh66.com>

<http://usermanuals.us>

<http://www.somanuals.com>

<http://www.4manuals.cc>

<http://www.manual-lib.com>

<http://www.404manual.com>

<http://www.luxmanual.com>

<http://aubethermostatmanual.com>

Golf course search by state

<http://golfingnear.com>

Email search by domain

<http://emailbydomain.com>

Auto manuals search

<http://auto.somanuals.com>

TV manuals search

<http://tv.somanuals.com>