

The RDC-DC 6-Channel Control Card module controls up to six dimmable channels with six satellite connectors (for RDM series dimmer or switching modules). The RDC-DC is designed for use with the Radia enclosures, in a modular digital dimming system. It is controlled by AXlink, PROlink, or by dry contact closures. The module's 120, 240, and 277 VAC rating is CE, UL and C-UL approved.

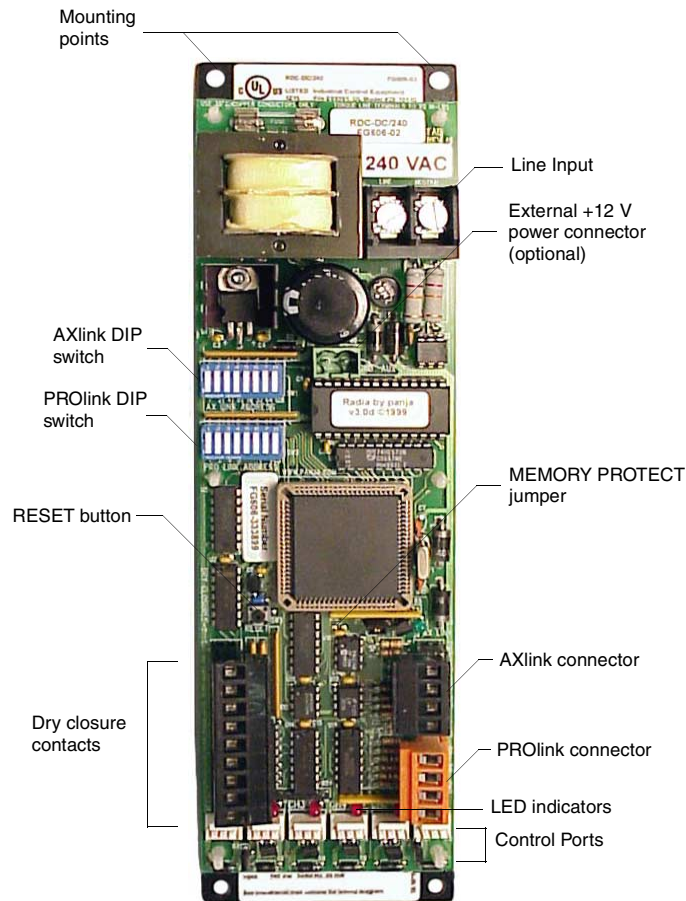


FIG. 1 RDC-DC control card

RDC-DC UL and C-UL Ratings:

Line Input

- 120 VAC, 2W+G, 1Ø, 50/60 Hz, 50 mA
- 240 VAC, 2W+G, 1Ø, 50/60 Hz, 25 mA
- 277 VAC, 2W+G, 1Ø, 50/60 Hz, 22 mA

Control Input:

- AXlink
- PROlink
- Eight dry closures

Control Output:

- Six control channels
- Max. total current sourcing 300 mA @ 12 VDC

Specifications:

- Dimensions (HW): 10.0" x 2.75" (254.0 mm x 69.85 mm)
- 12 VDC power (optional)
- Torque terminals to 20 in-lbs. (2.3 N/M)
- Max. wire size: 10 AWG (4 mm²)
- Wire stripping length: 0.28" (7 mm)
- Weight: 1.2 lbs. (0.54 kg)
- Control current: 300 mA for six ports

Button/Jumper Information:

- RESET button: By pressing the Reset button, located on the RDC-DC circuit board, it is possible to restart the processor without having to

power down the unit or disconnect AXlink or PROlink. Reset does not affect any saved presets or curve settings.

- MEMORY PROTECT on/off jumper: The memory protect jumper is set to Off by default. To protect saved curve settings and presets from accidental recording, put the jumper in the On position.

Caution: Pre-Installation Notes:

- All Class 1 wiring must be connected to proper terminals.
- All control wiring must be connected to proper terminals.
- Disconnect power while installing or connecting the unit.
- Keep top and bottom air vents clear at all times.
- Test loads for shorts before connecting.
- Use low-voltage wires with a 300 volt rating or greater.
- Use field-installed copper conductors.
- All electrical ratings are for continuous duty.
- For indoor use only.
- AC lighting loads only.

Connecting RDM Series to the AMX Lighting Master

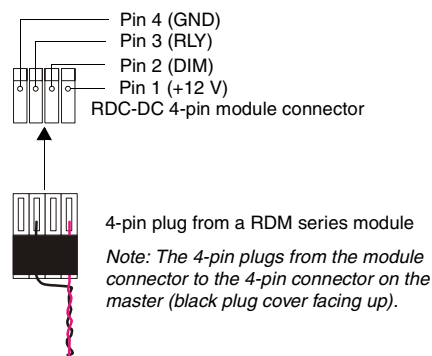


FIG. 2 Connecting RDM series

Connecting AXlink

Connect the 4-pin captive-wire AXlink from the RDC-DC to the Central Controller for AXlink control of the dimming system.

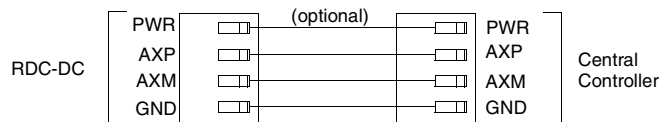


FIG. 3 AXlink wiring

Connecting PROlink:

Connect the orange 4-pin captive-wire PROlink connector from the RDC-DC to a PRO-DP8 PROlink wall panel.

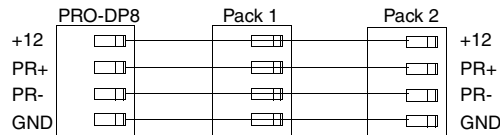


FIG. 4 PROlink wiring

Connecting Dry Closures

Use the 8 (+ common) dry closures with a WPD8 eight-button wall panel.

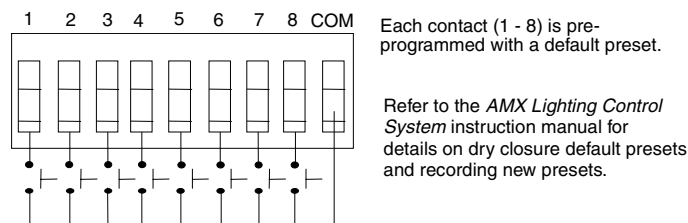


FIG. 5 Dry closures connection

Each contact closure connection (1 - 8) is pre-programmed with a default preset. The table below shows the default presets for each contact closure.

Dry Closure Default Presets	
Contact Closure	Default Function
1	Channel 1 at 100% in 1 second
2	Channel 2 at 100% in 1 second
3	Channel 3 at 100% in 1 second
4	Channel 4 at 100% in 1 second
5	Channel 5 at 100% in 1 second
6	Channel 6 at 100% in 1 second
7	Pack on (channels 1-6)
8	Pack off (channels 1-6)
All other channels are undefined.	

Setting AXlink and PROlink Address Numbers:

AXlink Address



Set the AXlink address number (1-255) for the RDC-DC. This number must match the device number in your Access program.

PROlink Address

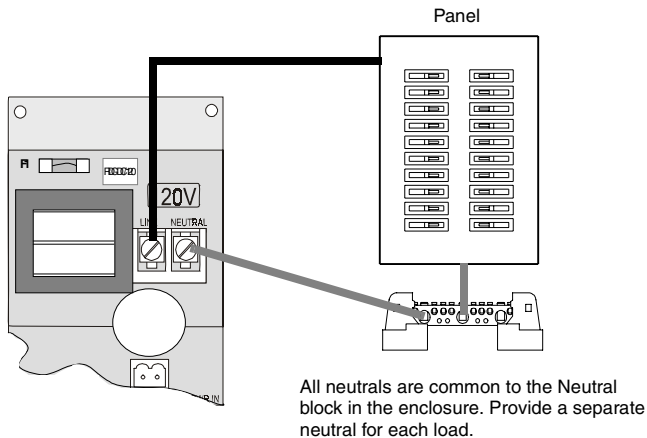


Use the PROlink DIP switch to set the PROlink address number for the RDC-DC (1-10).

Pin 8 on the PROlink DIP switch is a test switch that turns all circuits on to full.

FIG. 6 Setting AXlink and PROlink address numbers.

Lighting Application Drawing



AMX Corporation reserves the right to alter specifications without notice at any time. For full warranty information, refer to the AMX Instruction Manual(s) associated with your Product(s). 043-019-2242 8/01 ©2001 AMX Corporation. All rights reserved.

The AMX logo is a trademark of AMX Corporation. AMX Corporation reserves the right to alter specifications without notice at any time. 3000 research drive, richardson, TX 75082 USA • 469.624.8000 • 800.222.0193 • fax 469.624.7153 • technical support 800.932.6993



Free Manuals Download Website

<http://myh66.com>

<http://usermanuals.us>

<http://www.somanuals.com>

<http://www.4manuals.cc>

<http://www.manual-lib.com>

<http://www.404manual.com>

<http://www.luxmanual.com>

<http://aubethermostatmanual.com>

Golf course search by state

<http://golfingnear.com>

Email search by domain

<http://emailbydomain.com>

Auto manuals search

<http://auto.somanuals.com>

TV manuals search

<http://tv.somanuals.com>