

The RDM-2ZC Dual Zero Cross Module is a dual 2400 W zero-cross relay built for long term, reliable switching of electronic fluorescent ballasts, electronic transformers and incandescent lamps. It is designed for use with the RDA series of enclosures, in an AMX Lighting™ modular digital dimming system. The module's 120, 240, and 277 VAC ratings are CE, UL, and C-UL approved.

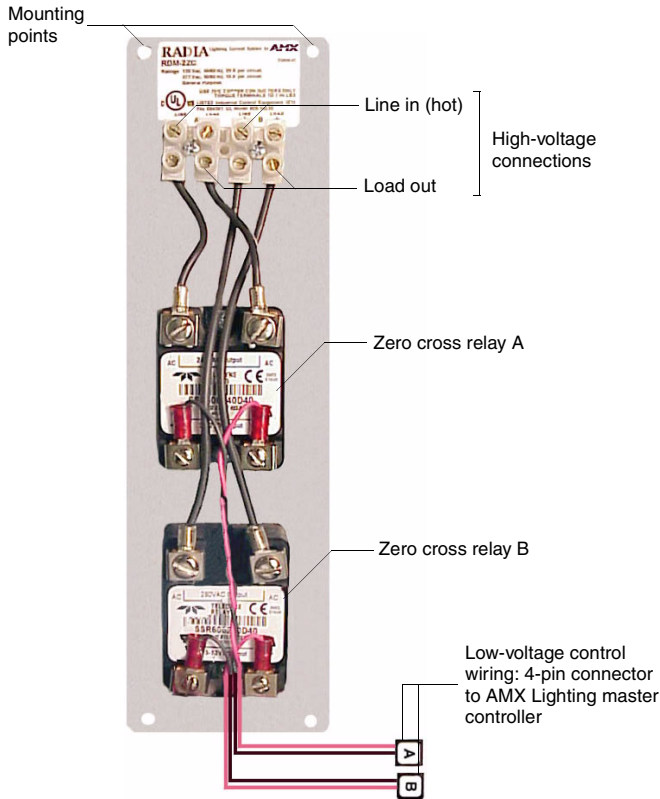


FIG. 1 RDM-2ZC

RDM-2ZC UL and C-UL Ratings

- 120-277 VAC, 2400 W
- 240/277 VAC, 2400 W

Suggested Switched Loads

- Incandescent
- Electronic transformers
- HID ballast
- Electronic and magnetic ballast

Specifications

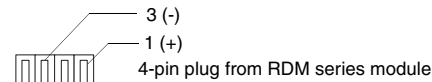
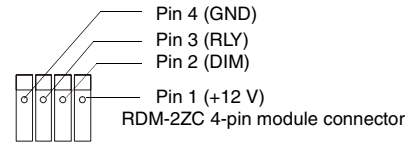
- Dimensions (HW): 10.00" x 2.75" (25.40 cm x 6.99 cm)
- Non-phase dependant
- Use wires rated at 75°C (167°F)
- Torque terminals to 7 in-lbs. (0.8 N/M)
- Max. wire size: 10 AWG (4 mm²)
- Wire stripping length: 0.28" (7 mm)
- Weight: 2.0 lbs. (0.91 kg)
- BTU/hr: 300
- Control current: 45 mA per relay (90 mA total) @ 12 VDC

Caution: Pre-Installation Notes

- All Class 1 wiring must be connected to proper terminals.
- All control wiring must be connected to proper terminals.
- Disconnect power while installing or connecting the unit.
- Keep top and bottom air vents clear at all times.
- Test loads for shorts before connecting.
- Use low voltage wires with a 300 volt rating or greater.
- Use field installed copper conductors.
- All electrical ratings are for continuous duty.
- For indoor use only.

- This module may require extra power from the AXlink connection or an external power supply connected to the control card.

Connecting the RDM-2ZC to the AMX Lighting Master



NOTE: The 4-pin plugs from the module connector to the 4-pin connector on the master (black plug cover facing up).

FIG. 2 RDM-2ZC connections

Lighting Application Drawing

All neutrals are common to the Neutral block in the enclosure. Provide a separate neutral for each load.

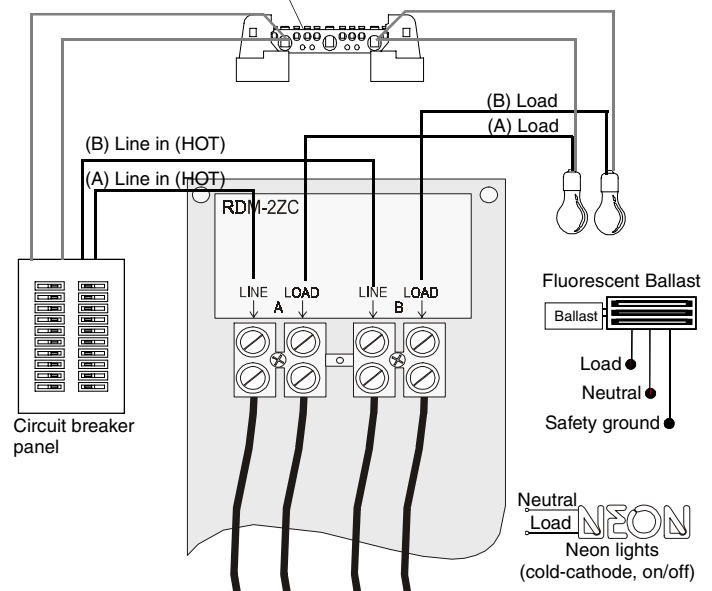


FIG. 3 RDM-2ZC wiring configuration

AMX Corporation reserves the right to alter specifications without notice at any time.
For full warranty information, refer to the AMX Instruction Manual(s) associated with your Product(s).

043-019-2201 8/01 ©2001 AMX Corporation. All rights reserved.

The AMX logo is a trademark of AMX Corporation. AMX Corporation reserves the right to alter specifications without notice at any time.
3000 research drive, richardson, TX 75082 USA • 469.624.8000 • 800.222.0193 • fax 469.624.7153 • technical support 800.932.6993



Free Manuals Download Website

<http://myh66.com>

<http://usermanuals.us>

<http://www.somanuals.com>

<http://www.4manuals.cc>

<http://www.manual-lib.com>

<http://www.404manual.com>

<http://www.luxmanual.com>

<http://aubethermostatmanual.com>

Golf course search by state

<http://golfingnear.com>

Email search by domain

<http://emailbydomain.com>

Auto manuals search

<http://auto.somanuals.com>

TV manuals search

<http://tv.somanuals.com>