

The RDM-HDC Heavy Duty DC Module is a heavy-duty 2400 W module for dimming of fluorescent ballast loads. It uses a 0 to 12 VDC current sinking or sourcing for use with all four-wire ballasts. It is designed for use with the RDA series of enclosures, in an AMX Lighting™ modular digital dimming system. The module's 120, 240, and 277 VAC ratings are CE, UL, and C-UL approved.

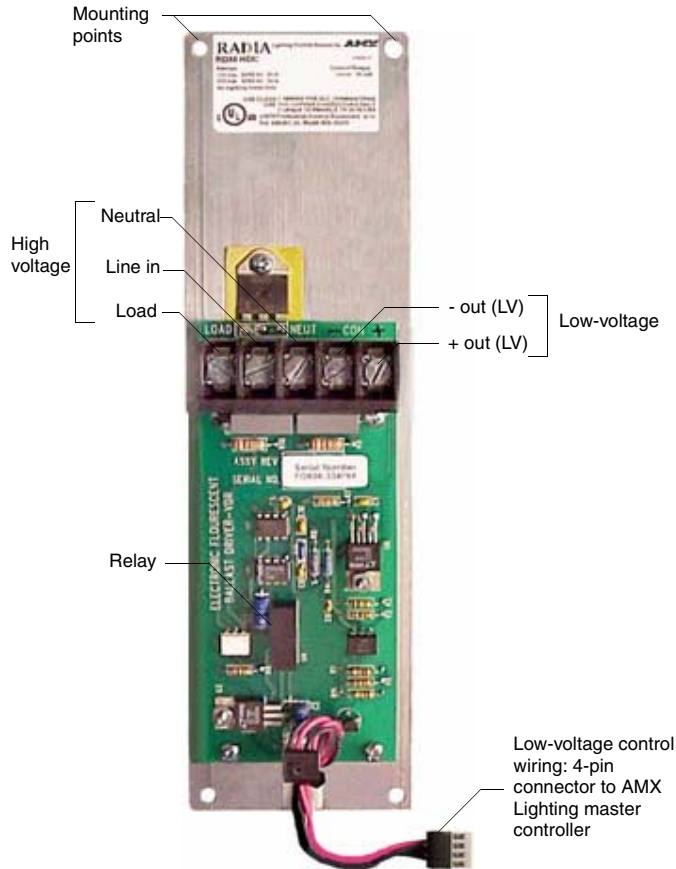


FIG. 1 RDM-HDC

RDM-HDC UL and C-UL Ratings

- 120 VAC, 50/60 Hz, 2400 W
- 240/277 VAC, 50/60 Hz, 2400 W
- Control Out: 50 mA, 12 VDC sourcing/sinking

Suggested Dimmed Loads

- Four-wire dimmable ballasts
- All low-voltage DC controlled ballasts

Specifications

- Dimensions (HW): 10" x 2.75" (25.4 cm x 6.99 cm)
- Non-phase dependant
- Use wires rated at 75°C (167°F)
- Torque terminals to 20 in-lbs. (2.3 N/M)
- Max. wire size: 10 AWG (4 mm²)
- Wire stripping length: 0.28" (7 mm)
- Weight: 1.3 lbs. (0.590 kg)
- BTU/hr: 150
- Control current: 150 mA @ 12 VDC

Caution: Pre-Installation Notes

- All Class 1 wiring must be connected to proper terminals.
- All control wiring must be connected to proper terminals.
- Disconnect power while installing or connecting the unit.
- Keep top and bottom air vents clear at all times.
- Use low-voltage wires with a 300 volt rating or greater.
- Use field installed copper conductors.
- All electrical ratings are for continuous duty.
- For indoor use only.
- Test loads for shorts before connecting.
- This module may require extra power from the AXlink connection or an external power supply connected to the control card.

Connecting the RDM-HDC to the AMX Lighting Master

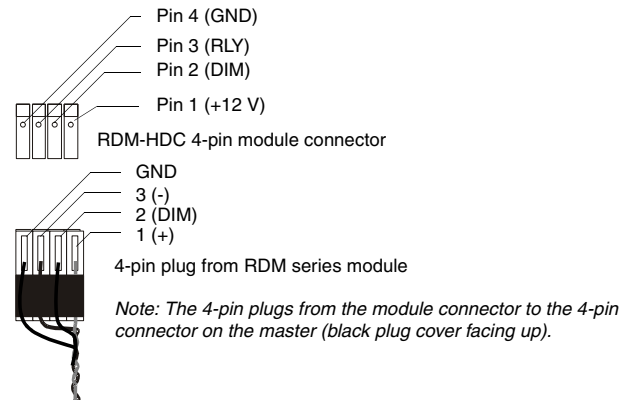


FIG. 2 Connecting the RDM-HDC and AMX Lighting Master

Lighting Application Drawings

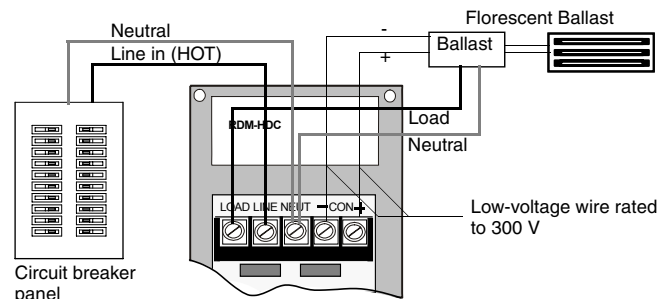


FIG. 3 RDM-HDC application wiring

Warning: Failure to ground the ballast may cause ballast failure

AMX Corporation reserves the right to alter specifications without notice at any time.

For full warranty information, refer to the AMX Instruction Manual(s) associated with your Product(s).

043-019-2240 10/01 ©2001 AMX Corporation. All rights reserved.

The AMX logo is a trademark of AMX Corporation. AMX Corporation reserves the right to alter specifications without notice at any time.
3000 research drive, richardson, TX 75082 USA • 469.624.8000 • 800.222.0193 • fax 469.624.7153 • technical support 800.932.6993



Free Manuals Download Website

<http://myh66.com>

<http://usermanuals.us>

<http://www.somanuals.com>

<http://www.4manuals.cc>

<http://www.manual-lib.com>

<http://www.404manual.com>

<http://www.luxmanual.com>

<http://aubethermostatmanual.com>

Golf course search by state

<http://golfingnear.com>

Email search by domain

<http://emailbydomain.com>

Auto manuals search

<http://auto.somanuals.com>

TV manuals search

<http://tv.somanuals.com>