

Overview

The IRX-SM+ (FIG. 1) is a remote IR sensor that works with the Access AXC-RCVI card, AMX Television Managers, and MX8 / MX16 Relay Receivers to remotely control IR devices. The IRX-DM+ (FG455-01) is in a swivel-mount enclosure for use in wall or ceiling installations. The IRX-SM+ works with AMX 38 kHz or 455 kHz IR transmitters.

Note: The IRX-DM+ UniMount version is also available for US-style single-gang enclosure installations.

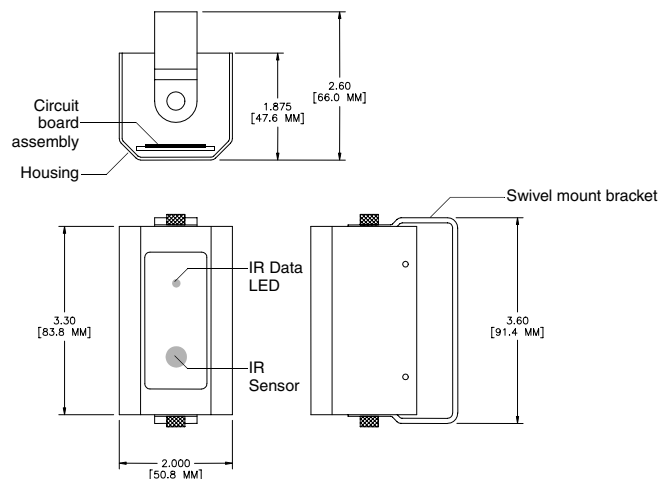
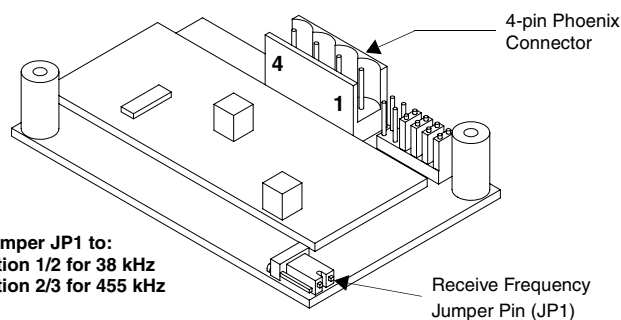


FIG. 1 IRX-SM+ Swivel-mount IR sensor

IRX-SM+ Specifications	
Dimensions (HWD):	3.30" x 2.00" x 2.60" (83.80 mm x 50.80 mm x 66.00 mm)
Receive Frequencies:	38 / 455 kHz (user-selectable)
Mounting:	Mounts into most US-style single-gang enclosures.
Weight:	6.8 oz. (190.4 grams)
Power Consumption:	25 mA

Wiring and Installation

Set the receive frequency, AXlink device number and IR validation level before installing the sensor. FIG. 2 illustrates the location of key components on the IRX-SM+ circuit board.



Set Jumper JP1 to:
Position 1/2 for 38 kHz
Position 2/3 for 455 kHz

FIG. 2 Location of key components on the IRX-SM+ circuit board

Setting the Receive Frequency

Use the jumper pin on the corner of the circuit board to set the receive frequency. FIG. 3 illustrates the configuration of the jumper.

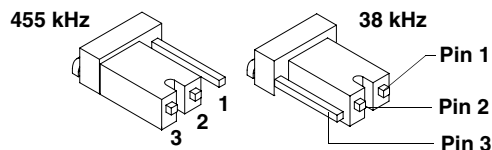


FIG. 3 Receive frequency jumper settings

Note: The unit will not operate until JP1 is configured for either 38 kHz or 455 kHz.

- To receive 38 kHz, position the JP1 jumper on pins 1 and 2 (closer to the Phoenix connector).
- To receive 455 kHz (default setting), position the JP1 jumper on pins 2 and 3 (away from the Phoenix connector).

Wiring the IR Sensors

The IRX-SM+ uses a 4-pin Phoenix connector for power and data. If the distance between the receiver and Central Controller exceeds power consumption limits, you can connect a local 12 VDC power supply to the Phoenix connector.

Preparing Captive Wires

You will need a wire stripper and a flat-blade screwdriver to prepare the captive wires:

- Strip .25 inch (6.35 mm) of wire insulation off all wires.
- Insert each wire into the appropriate opening on the connector according to the wiring diagrams in this section.
- Turn the flat-head screws clockwise to secure the wire in the connector.

Note: Do not over-torque the screw. Doing so can bend the seating pin.

Wiring Guidelines

The IRX-SM+ requires 12 VDC power to operate properly. The power is supplied by the AMX system's connection cable. The maximum wiring distance between the Central Controller and the receiver is **200 feet (60.96 m)**.

Connection and Wiring

Wiring the IRX-DM+ or IRX-SM+ to the AMX IR Receiver

Wire the IR sensor to the AMX IR receiver as shown in FIG. 4.

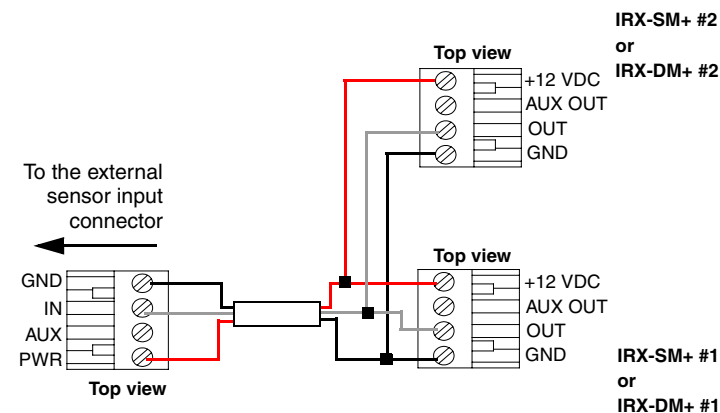


FIG. 4 Wiring the IR sensor

You can wire up to eight IR sensors in parallel to an AXC-RCVI, AMX Television Manager, MX8, MX16, or NI-700. For additional information, refer to the reference guides or instruction manuals for those AMX products.

Checking IR Data Status

Locate the red IR Data LED on the front of the unit. Point the system's AMX transmitter towards the sensor and press a button. The IR Data LED lights when the unit receives data.

If the IR Data LED on the unit does not light:

- Verify that the transmit LED on the transmitter lights when you press a button.
- Check the wiring to the unit.
- Verify that the transmitter frequency is properly configured.

Mounting the IRX-SM+

Installation method A: Use when installing a swivel-mount unit without using the provided mounting bracket. The cable exit is on the back mounting panel (FIG. 5).

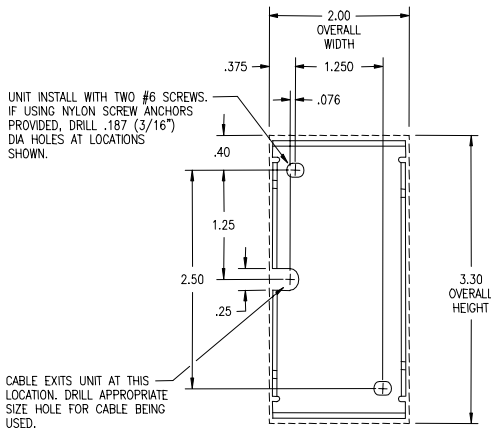


FIG. 5 Installation Method A

Installation method B: Use when installing a swivel-mount unit using the provided mounting bracket (FIG. 6).

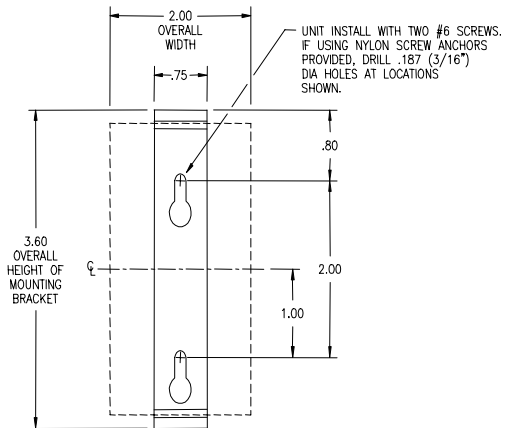


FIG. 6 Installation Method B

- On drywall, install using the included wall anchors. Use a 3/16-inch drill bit.
- On wood, install using the included #6 mounting screws.

Free Manuals Download Website

<http://myh66.com>

<http://usermanuals.us>

<http://www.somanuals.com>

<http://www.4manuals.cc>

<http://www.manual-lib.com>

<http://www.404manual.com>

<http://www.luxmanual.com>

<http://aubethermostatmanual.com>

Golf course search by state

<http://golfingnear.com>

Email search by domain

<http://emailbydomain.com>

Auto manuals search

<http://auto.somanuals.com>

TV manuals search

<http://tv.somanuals.com>