

The RDM-3FDB Triple Channel Ballast Dimmer is a 1920 W positive air gap relay and dimmer, built for strength and for reliable switching/dimming of Lutron FDB ballasts. It is designed for use with the RDA series of enclosures, in an AMX Lighting™ modular digital dimming system. The RDM-3FDB module's 120, 240, and 277 VAC ratings are CE, UL, and C-UL approved.

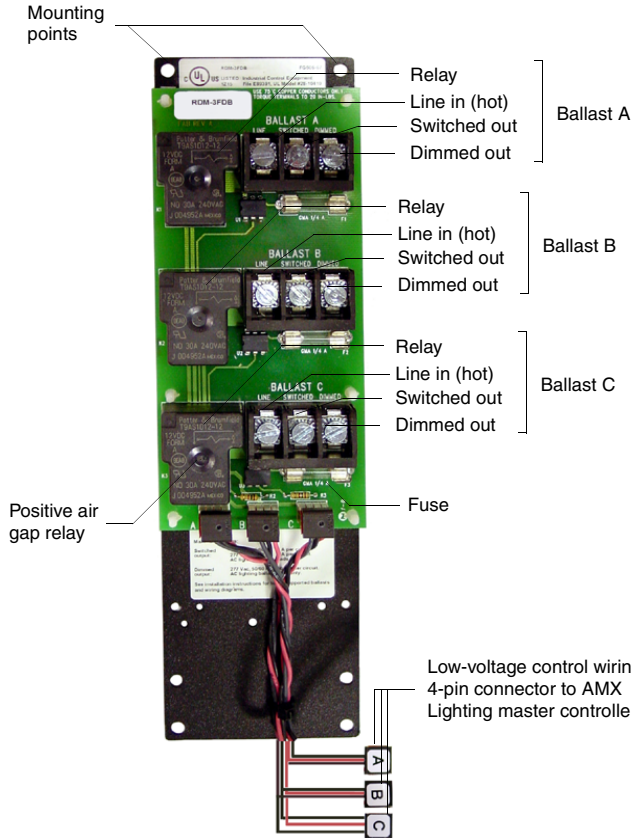


FIG. 1 RDM-3FDB

RDM-3FDB UL and C-UL Ratings

- 120 VAC, 1920 W
- 240/277 VAC, 1920 W

Suggested Dimmed Loads

- Most 3-wire dimmable fluorescent ballasts
- Lutron® Hi-Lume® FDB Ballasts
- Lutron Eco-10® Dimmable Ballasts

Specifications

- Dimensions (HW): 10.0" x 2.75" (25.4 cm x 6.99 cm)
- Dimmed output protected by a 250 mA GMA 5 x 20 mm fuse
- Phase dependant
- Use wires rated at 75°C (167°F)
- Torque terminals to 20 in-lbs. (2.3 N/M)
- Max. wire size: 10 AWG (4 mm²)
- Weight: 1.57 lbs. (0.712 kg)
- BTU/hr: 5
- Control current: 85 mA @ 12 VDC
- For use with FDB ballasts

Caution: Pre-Installation Notes

- All Class 1 wiring must be connected to proper terminals.
- All control wiring must be connected to proper terminals.
- Disconnect power while installing or connecting the unit.
- Keep top and bottom air vents clear at all times.
- Use field installed copper conductors.
- All electrical ratings are for continuous duty.
- For indoor use only.

- This module may require extra power from the AXlink connection or an external power supply connected to the control card.

Connecting the RDM-3FDB to the AMX Lighting Master

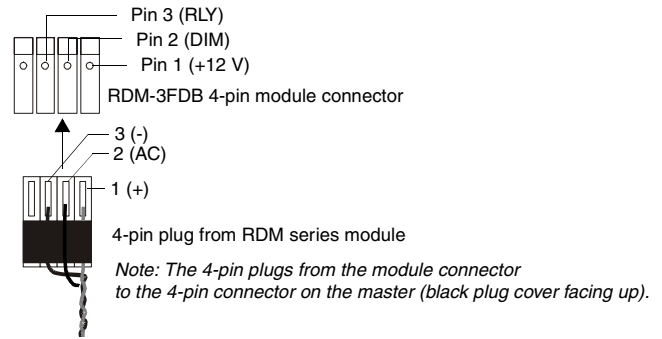


FIG. 2 RDM-3FDB connections

Lighting Application Drawing

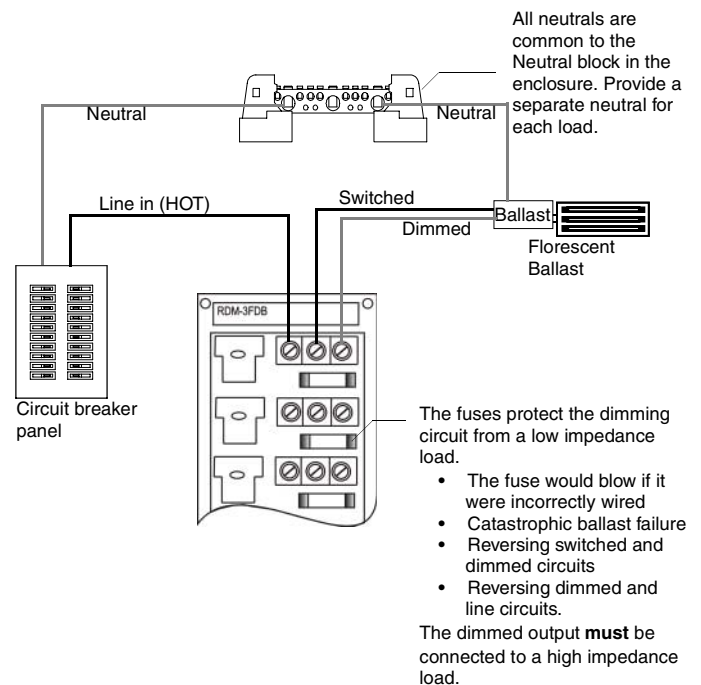


FIG. 3 RDM-3FDB wiring configuration

AMX Corporation reserves the right to alter specifications without notice at any time.
For full warranty information, refer to the AMX Instruction Manual(s) associated with your Product(s).

043-019-2485 8/01 ©2001 AMX Corporation. All rights reserved.

The AMX logo is a trademark of AMX Corporation. AMX Corporation reserves the right to alter specifications without notice at any time.
3000 research drive, richardson, TX 75082 USA • 469.624.8000 • 800.222.0193 • fax 469.624.7153 • technical support 800.932.6993



Free Manuals Download Website

<http://myh66.com>

<http://usermanuals.us>

<http://www.somanuals.com>

<http://www.4manuals.cc>

<http://www.manual-lib.com>

<http://www.404manual.com>

<http://www.luxmanual.com>

<http://aubethermostatmanual.com>

Golf course search by state

<http://golfingnear.com>

Email search by domain

<http://emailbydomain.com>

Auto manuals search

<http://auto.somanuals.com>

TV manuals search

<http://tv.somanuals.com>