

# INSTALLATION INSTRUCTIONS

# Amana® Drop-In Range

IMPORTANT — Save for local  
electrical inspector's use.

## Model ADM-1B

### PLEASE READ BEFORE INSTALLING

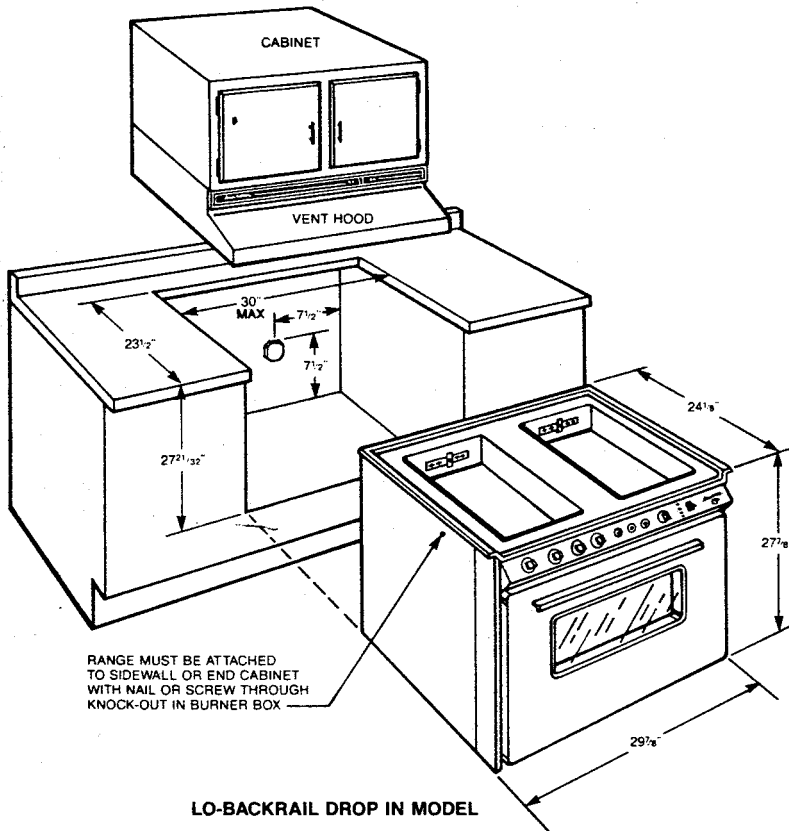


FIG. 1 Cutout Dimensions

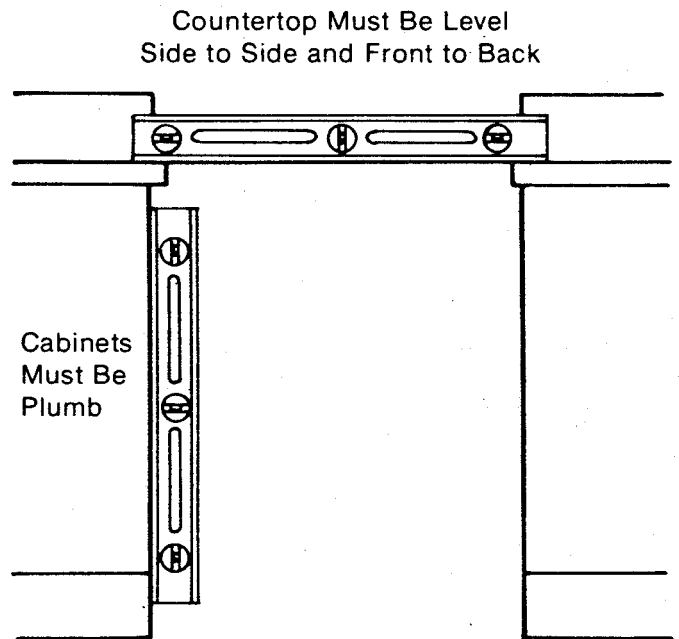


FIG. 2 Level Countertops

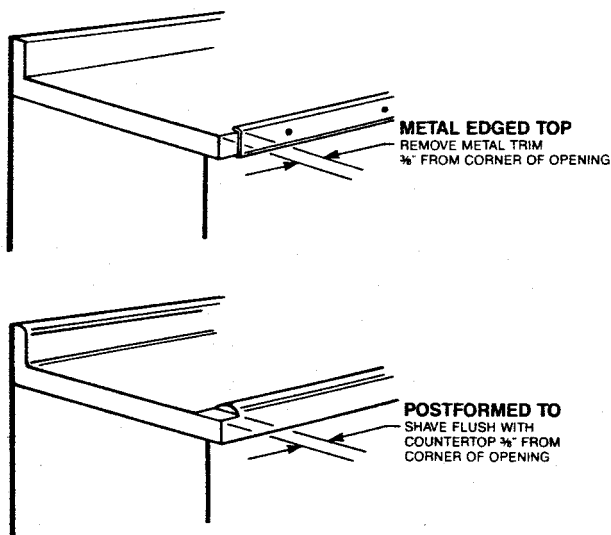


FIG. 3 Prepare Corners

NOTE: IF CUTOUT IS TOO  
WIDE, FLANGE ON SIDE OF  
RANGE WILL NOT FIT  
PROPERLY.

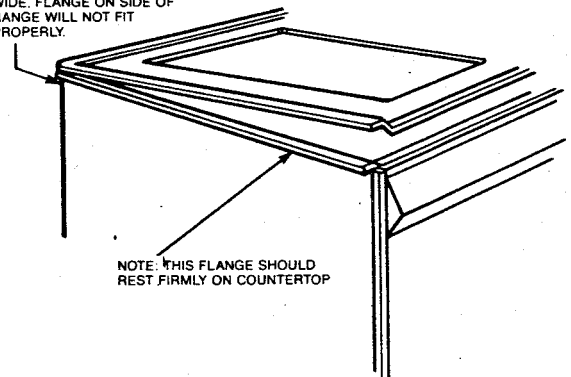


FIG. 4 Flange Fit

Instructions continued on reverse side.

# BEFORE INSTALLING, READ THESE INSTRUCTIONS

## 1. PREPARE THE OPENING

Your drop-in range is designed to slide into an opening in your cabinet and countertop, with the flange on the sides of the range resting on the countertop. The hinged rangetop will cover this flange and the joint between range and cabinet.

Make the cabinet and countertop opening 30 inches wide (maximum) as shown in Fig. 1. Be sure the countertops are level. On moulded countertops (post-formed)  $\frac{3}{8}$ " of the front corner must be shaved flush with the rest of the countertop. On flat countertops with a metal trim, cut metal trim back  $\frac{3}{8}$ " from front corner of opening. (Fig. 3).

## 2. INSTALL WIRING

Check your local electrical codes regarding wiring this unit. This oven requires 3 wires, 120/240 volts 60 Hertz A.C. Provide 60 amp electrical service, 13.9 k.w. The unit is equipped with a No. 10 ground wire in the conduit. See next section for grounding instructions. It should be fused separately from other appliances. Be sure the electric power is off from the fuse box to the junction box until the oven is ready to operate.

The junction box should be installed as shown and connected to a suitable ground. House wiring and fusing must comply with local wiring codes. If no local codes are applicable, wire in accordance with the National Electrical Code.

## 3. CONNECT WIRING

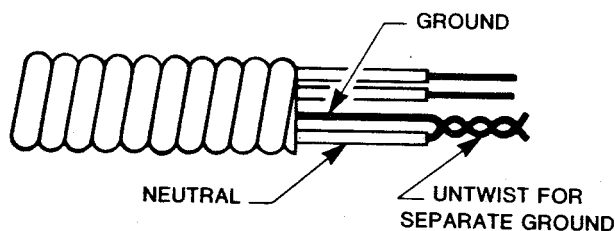
Remove all packing materials from the range. Also remove the grille, grille element, grille pan and insert that comes installed in the rangetop. Position the oven in front of the opening and connect the wire leads extending from the conduit to the junction box, making sure the neutral (white) wire is connected to the appropriate terminal. Check your local code to see which of the options below should be used in grounding the unit.

### OPTION 1

Connect the neutral (white) and the grounding (bare or green) wires to the incoming neutral (white) power feed lines.

### OPTION 2

Untwist the grounding (bare or green) wire and attach to the junction box, if the junction box is grounded. Attach the neutral (white) wire to neutral (white) power feed line.



### OPTION 3

Untwist the grounding (bare or green) wire and attach it to a suitable ground. Attach neutral (white) wire to the incoming neutral (white) power feed line.

**WARNING** — Frame grounded by connection of grounding lead to neutral lead. If used in a mobile home or if local codes do not permit grounding through neutral, open connection and use grounding lead to ground unit in accordance with local codes. Connect neutral lead to branch circuit neutral conductor in usual manner.

## 4. CHECK WIRING

Connect the electric power at the fuse box and check for proper operation of the unit.

## 5. IMPORTANT — WHEN OVEN IS TURNED ON FOR THE FIRST TIME

Some of the interior parts are finished with a protective coating of oil. When heated for the first time the oil will burn off and there will be some odor and perhaps some smoke.

Before turning the unit over to the homeowner be sure to turn on the oven thermostat, open the oven door and allow the elements to operate at 450° for about 10 minutes. That period of operation should evaporate and dissipate odors and possible smoke.

No adjustments to the automatic thermostats should be necessary unless thermostat has been damaged in transit.

## 6. SECURE OVEN

Slide range into opening. Make sure flanges on sides of the range rest firmly on the countertop. Secure the range by inserting nails or screws horizontally through the holes in the side of the burner box and into the countertop. To locate the holes in the sides of the burner box, you must remove the cooking modules from the rangetop. Caution: If the cutout is too wide, or if cabinets on each side of the range spread more than the desired width, a washer should be used between the side of the range and the vertical edge of the countertop cutout.

## 7. VENTING

Because the drop-in range comes with a grille for indoor barbecuing, **YOUR RANGE MUST BE INSTALLED IN CONJUNCTION WITH A QUALITY, HIGH AIR FLOW VENTILATION SYSTEM, SUCH AS THE AMANA RVH-4 VENT HOOD.** The ventilation system should be capable of removing at least 400 cubic feet of air per minute (400CFM). If you currently have a vent, consult your Amana dealer to determine whether it is adequate.

## 8. OPTIONAL ROTISSERIE

If you plan to use the optional rotisserie with your range, it will require a separate 120 volt A.C. outlet near the rangetop. The rotisserie motor must be plugged into this outlet. The rotisserie motor cannot be operated from the range's power source.

## Free Manuals Download Website

<http://myh66.com>

<http://usermanuals.us>

<http://www.somanuals.com>

<http://www.4manuals.cc>

<http://www.manual-lib.com>

<http://www.404manual.com>

<http://www.luxmanual.com>

<http://aubethermostatmanual.com>

Golf course search by state

<http://golfingnear.com>

Email search by domain

<http://emailbydomain.com>

Auto manuals search

<http://auto.somanuals.com>

TV manuals search

<http://tv.somanuals.com>