

# ***Amana***®

## **Side-by-Side Refrigerator Owner's Manual**

English .....	2
Français .....	21
Sección de castellano .....	45


Keep these instructions for future reference. Be sure this manual stays with refrigerator.

# Contents

Electrical Requirements ..... 2  
Model Identification ..... 2  
Service ..... 3  
Asure™ Extended Service Plan ..... 3  
Parts and Accessories ..... 3  
Proper Disposal of your Refrigerator ..... 3  
Installation Instructions ..... 3  
Refrigerator and Freezer Controls  
(non electronic models) ..... 6  
Setting Controls ..... 6  
Touchmatic™ Electronic Controls (some models) ..... 6  
Installation Checklist ..... 8  
Refrigerator Features ..... 9  
    Refrigerator Shelves ..... 9  
    Chiller Fresh™ System (some models) ..... 9  
    Deli Fresh Drawer (Some models) ..... 9  
    Garden Fresh™ Crispers ..... 9  
    Storage Rack (some models) ..... 10  
    Covered Storage Bucket (some models) ..... 10  
    Dairy Center (some models) ..... 11  
    Snack Shelf (some models) ..... 11  
    Temperature Controlled Beverage  
    Chiller™ (some models) ..... 11  
    Door Buckets and Shelves ..... 12  
    Adjustable Divider (Some models) ..... 12  
    Tall Package Retainer (some models) ..... 12  
Freezer Features ..... 13  
    Automatic Ice Maker (some models) ..... 13  
    Stor-Mor® System ..... 13  
    Ice 'N' Water™ Dispenser (some models) ..... 14  
    Water Dispenser Operation ..... 14  
    Ice Dispenser Operation ..... 14  
    Removing Ice Bucket ..... 14  
    Dispenser Light (some models) ..... 14  
    Taste and Odor ..... 14  
Care and Cleaning ..... 15  
    General ..... 15  
    Odor Removal ..... 15  
    Adhesives ..... 15  
    Door Gaskets ..... 15  
    Condenser Coils ..... 15  
    Glass Shelves ..... 15  
    Light Bulbs ..... 16  
Normal Operating Sounds ..... 17  
Before Calling For Service ..... 18  
Energy Tips ..... 19  
Vacation Tips ..... 19  
Warranty (Electronic Models) ..... 19  
Warranty ..... 20  
Warranty ..... 20

# Electrical Requirements

 **Recognize this symbol as a safety precaution.**

 **WARNING**

To prevent electrical shock which can cause severe person injury or death this refrigerator must be properly grounded.

Electrical Grounding Instructions — This refrigerator is equipped with a three-prong (grounding) plug for protection against possible shock hazards. If a two-prong wall receptacle is encountered, contact a qualified electrician and have the two-prong wall receptacle replaced with a properly grounded three-prong wall receptacle in accordance with the National Electrical Code.

Refrigerator is designed to operate on a separate 103 to 126 volt, 15 amp., 60 cycle line.

**Do not under any circumstances cut or remove the round grounding prong from the plug. Refrigerator must be grounded at all times. Do not remove warning tag from power cord.**

**Do not use a two-prong adapter.** Do not use an extension cord.

## Model Identification

Thank you for purchasing this Amana® refrigerator. Please read this Owner's Manual thoroughly. This manual provides proper maintenance information. Any questions, call the Consumer Affairs Department at **1-800-843-0304** inside U.S.A. and **1-319-622-5511** outside U.S.A.

**Complete registration card** and promptly return. If registration card is missing, call the Consumer Affairs Department. **Keep a copy of sales receipt** for future reference.

When contacting Amana, provide product information. Product information is on the serial plate, located on (upper left corner, ceiling) of Fresh Food section. Record the following information:

Model Number: \_\_\_\_\_  
Manufacturing Number: \_\_\_\_\_  
S/N or Serial Number: \_\_\_\_\_  
Date of purchase: \_\_\_\_\_  
Dealer's name and address: \_\_\_\_\_  
\_\_\_\_\_

**For more information visit our web site:**  
**www.amana.com**

## Service

Keep a copy of sales receipt for future reference or in case warranty service is required. Any questions or to locate an authorized servicer, call 1-800-NAT-LSVC (1-800-628-5782) inside U.S.A. 319-622-5511 outside U.S.A. Warranty service must be performed by an authorized servicer. Amana, also recommends contacting an authorized servicer if service is required after warranty expires.

## Asure™ Extended Service Plan

Amana offers long-term service protection for this new refrigerator. Asure™ Extended Service Plan is specially designed to supplement Amana's strong warranty. This plan covers parts, labor, and travel charges. Call 1-800-528-2682 for information.

## Parts and Accessories

Purchase replacement parts and additional accessories (e.g. refrigerator shelves) over the phone. To order accessories for your Amana product, call 1-800-843-0304 inside U.S.A. or 319-622-5511 outside U.S.A.

## Proper Disposal of your Refrigerator

**IMPORTANT: Child entrapment and suffocation are not problems of the past. Junked or abandoned refrigerators are still dangerous—even if they will sit for “just a few days.” If you are getting rid of your old refrigerator, please follow the instructions below to help prevent accidents.**

**BEFORE YOU THROW AWAY YOUR OLD REFRIGERATOR OR FREEZER:**

- Take off the doors.
- Leave the shelves in place so that children may not easily climb inside.



## Installation Instructions

Proper installation will ensure this refrigerator operates most efficiently. Amana cannot be responsible for improper installation.

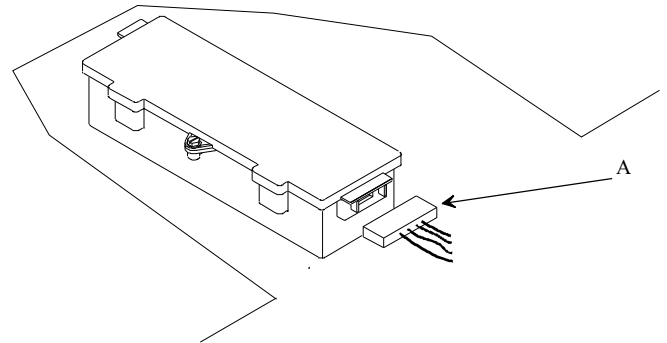
### 1. Remove doors if necessary.



## WARNING

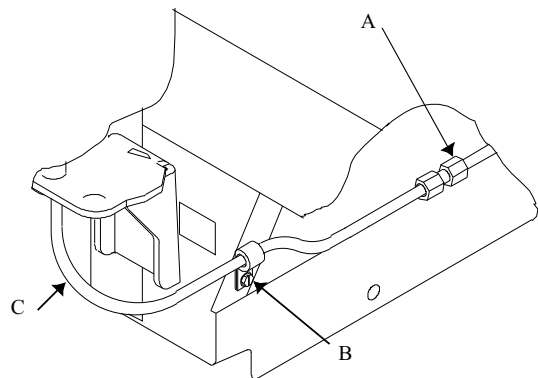
To avoid electrical shock which can cause severe personal injury or death, disconnect power to refrigerator before removing doors. After replacing doors, connect power.

- Remove toe grille.
- Electronic Models**  
Unplug wiring harness from voltage box.



A. Wiring harness  
Unplugging wire harness

- Dispenser Models**  
Loosen water tube clamp screw. Loosen plastic water tube union nut. Pull water tube away from union nut and through tube clamp.



A. Plastic water tube union nut  
B. Water tube clamp screw  
C. Water tube

Front water line disconnect

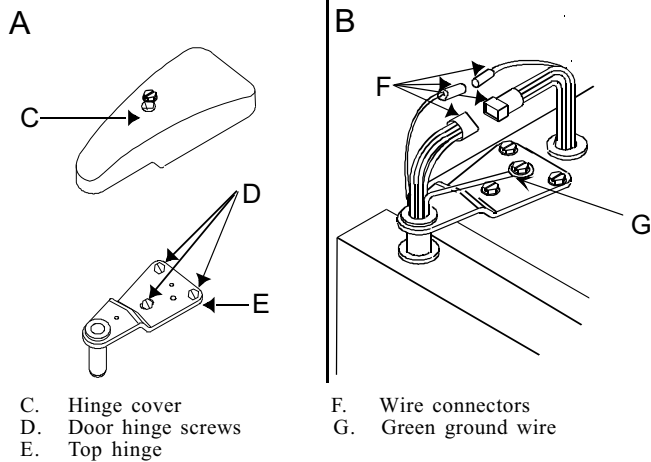
d. Remove top hinge covers. (A below)

## ! WARNING

To avoid electrical shock which can cause severe personal injury or death, green ground wire must remain attached to hinge.

e. **Electronic and Dispenser Models**

Unplug top hinge wire connectors. Do not remove green ground wire from hinge. Carefully lift and remove top hinges. Do not disturb position of hinge shims. (B)



Top hinge removal

f. Remove doors.

## ! Caution

To avoid property damage, protect soft vinyl or other flooring with cardboard, rugs, or other protective material when moving refrigerator.

- g. Slide appliance cart under side of refrigerator. Wrap refrigerator with blanket or pad. Thread cart strap around refrigerator and tighten. Do not overtighten strap. Move refrigerator in front of final location.
- h. Rehang doors by reversing steps a–f. Use a dime at top of doors to space doors  $\frac{3}{4}$ " (18 mm) from cabinet.

## 2. Install Water Filtration Cartridge (some models)

- a. Remove bypass cartridge from water filter head in rear right corner of refrigerator section. Twist cartridge counterclockwise  $\frac{1}{4}$  turn and pull down to remove. Save bypass for use at a later date.
- b. See *Water Filtration System Installation and Operating Instructions* provided with water filter cartridge for filter installation and operation.

## 3. Connecting Water Supply

## ! WARNING

To avoid electrical shock which can cause severe personal injury or death, disconnect power to refrigerator before connecting water supply. After connecting water supply, connect power.

## ! Caution

To avoid property damage, observe the following:

- Confirm water pressure to water valve is between 20 and 100 pounds per square inch.
- If water filter will be installed, water pressure to water valve must be a minimum of 35 pounds per square inch.
- Tighten nut by hand to avoid cross threading. Finish tightening nuts with pliers and wrenches. Do not overtighten.
- Check for water leaks and correct if necessary before returning refrigerator to normal location and 24 hours after connecting.

### Important

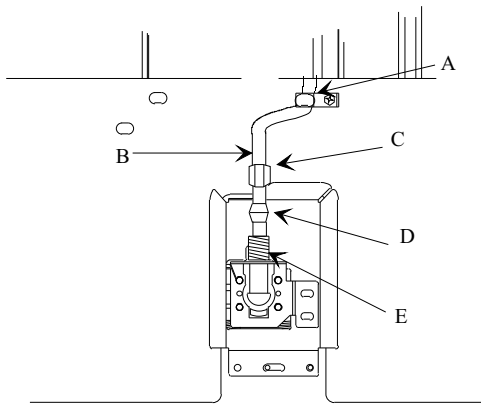
- Before connecting water supply, contact a plumber to connect copper tubing to household plumbing in compliance with local codes and ordinances.
- A self-piercing or  $\frac{3}{16}$ " (4.8 mm) saddle valve is not recommended. Both reduce water flow, become clogged with time and may cause leaks if repair is attempted. The correct type of shut off valve requires a  $\frac{1}{4}$ " (6 mm) hole to be drilled in water supply pipe prior to valve attachment. The manufacturer is not responsible for property damage caused by improper water connection.

### Materials Required

$\frac{1}{4}$ " (6 mm) flexible copper tubing. Length of copper tubing must reach from water supply connection plus an additional 8' (2 m) for service loop behind refrigerator.

### Procedure

1. Remove plastic cap from water valve inlet port. Place brass nut and brass sleeve on copper tubing. Insert copper tubing into water valve inlet port. Connect brass nut on copper tubing to water valve inlet port. Confirm copper tubing is secure by pulling on copper tubing.



- A. "P" clamp  
 B. Copper tubing  
 C. Brass nut  
 D. Brass sleeve  
 E. Water valve inlet connection

Water supply line connection

2. Turn on water supply to refrigerator and check for leaks. Correct any leaks.
3. Create service loop using extreme care to avoid kinks. **Secure copper tubing to refrigerator cabinet with a "P" clamp.**

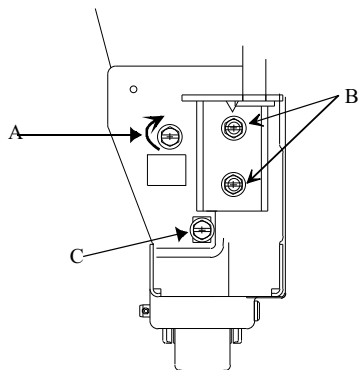
#### 4. Plug in power cord.

#### 5. Move refrigerator into final location.

#### 6. Stabilize refrigerator and align doors.

If refrigerator rocks or is not stable on floor perform the following:

- Determine which rear corner is rocking.
- Remove toe grille to gain access to roller adjustment screws.
- Turn rear roller adjustment screw clockwise to raise corner that is rocking.



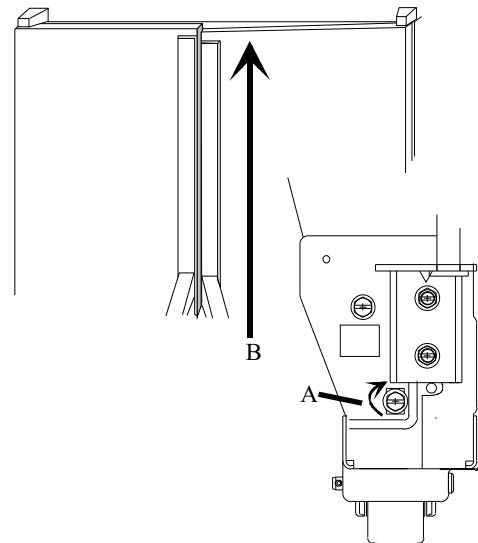
- A. Rear roller adjustment screw  
 B. Door hinge screws  
 C. Front roller adjustment screw

Stabilizing refrigerator

- Check alignment of top of doors. If doors are level replace toe grille.

If tops of doors are not level perform the following steps:

- Determine which door must be raised (if toe grille has not been removed, remove at this time).
- Turn front roller adjustment screw clockwise to raise front corner of door that needs to be raised. Roller adjustment screw should be turned until doors are level.
- Replace toe grille.



- A. Turn roller adjustment screw clockwise to raise door.  
 B. Continue to turn screw clockwise until doors are level.

Leveling doors

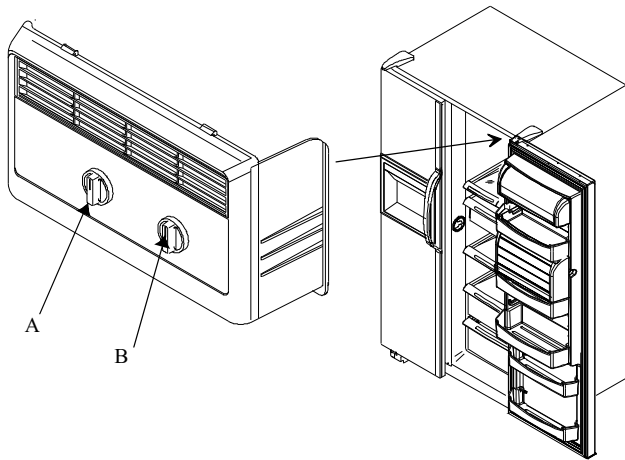
#### 7. Review "Installation Checklist" in Owner's Manual with consumer.

# Controls

This refrigerator is designed to operate at normal household temperatures of 55° to 110°F (13° to 43°C).

## Refrigerator and Freezer Controls (non electronic models)

Refrigerator and freezer controls are located on upper rear wall of refrigerator section.



A. Freezer control  
B. Refrigerator control

### Controls

When freezer control is set to *off*, neither refrigerator nor freezer sections will cool. Initially, set both controls to 4. Wait 24 hours for refrigerator and freezer sections to reach desired temperatures. 1 is warmest setting and 7 is coldest.

## Setting Controls

Set controls with a household thermometer that includes temperatures between -5°–50°F (-21°–10°C).

Put thermometer snugly between frozen packages in freezer section. Wait 5–8 hours. If freezer temperature is not 0°–2°F (-17°–-16°C), adjust control, 1 number at a time. Check again after 5–8 hours.

Put thermometer in a glass of water in middle of refrigerator section. Wait 5–8 hours. If refrigerator temperature is not 38°–40°F (3°–4°C), adjust control, 1 number at a time. Check again after 5–8 hours.

## Touchmatic™ Electronic Controls

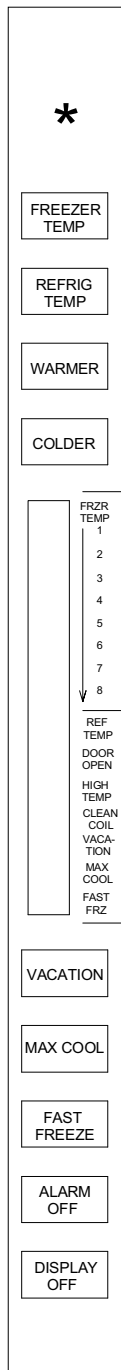
(some models)

Locate power switch on right side of black box in center of cabinet behind toe grille. Turn power switch on before programming.

Touchmatic™ electronic controls are located on refrigerator between door handles. Press \* pad to activate control panel. All other pads, except for *ALARM OFF* pad, remain inactive until \* pad is pressed. Once activated, pads remain programmable for at least 10 minutes.

Refrigerator and freezer controls are preset at 5. Wait 24 hours after connecting power for refrigerator and freezer sections to reach desired temperatures. After 24 hours, adjust controls as desired. 1 is warmest setting and 9 is coldest. Refer to "Setting Controls" section to set controls precisely.

- Adjust refrigerator or freezer temperatures by pressing \* pad then *REFRIG TEMP* pad or *FREEZER TEMP* pad. Press *WARMER* pad or *COLDER* pad to adjust temperature setting 1 level at a time. Holding down *WARMER* pad or *COLDER* pad adjusts temperature more than 1 level at a time.



### Entry Tone

Entry tone indicates a pad was pressed and command was read and accepted.

- Deactivate entry tone by pressing and holding \* pad for 3 to 5 seconds. Three short beeps indicate instructions were accepted.
- Activate entry tone by pressing and holding \* pad for 3 to 5 seconds.

### Vacation Mode

Vacation mode defrosts refrigerator less often during extended nonuse periods.

- Activate vacation mode by pressing \* pad then *VACATION* pad. Indicator light will glow.
- Deactivate vacation mode by pressing \* pad then *VACATION* pad. Opening refrigerator or freezer door will also deactivate vacation mode.

### Max Cool Mode

Max cool mode adjusts refrigerator temperature to coldest setting. After 10 hours, refrigerator temperature automatically returns to previous setting.

- Activate max cool mode by pressing \* pad then *MAX COOL* pad. Indicator light will glow.
- Deactivate max cool mode before automatic reset by pressing \* pad then *MAX COOL* pad.

### Fast Freeze Mode

Fast freeze mode adjusts freezer temperature to coldest setting. After 24 hours, freezer temperature automatically returns to previous setting.

- Activate fast freeze mode by pressing \* pad then *FAST FREEZE* pad. Indicator light will glow.
- Deactivate fast freeze mode before automatic reset by pressing \* pad then *FAST FREEZE* pad.

### Door Open Alarm

Door open alarm sounds and indicator light blinks if either door is open for more than 3 minutes.

- Deactivate door open alarm by pressing *ALARM OFF* pad or by closing either door.
- Activate door open alarm by pressing \* pad then holding *ALARM OFF* pad for 3 to 5 seconds. Three short beeps indicate instructions were accepted.

### High Temperature Alarm

High temperature alarm sounds and indicator light glows if refrigerator or freezer temperature is high for 2 hours. A blinking light signals affected compartment. Alarm ends when proper temperature is reached.

- Deactivate high temperature alarm by pressing *ALARM OFF* pad.

### Thermistor Alarm

Thermistor electronically senses refrigerator and freezer temperatures. Thermistor alarm sounds and indicator lights 5 thru 8 scroll if refrigerator or freezer thermistor is not operating properly.

- Deactivate display by pressing *ALARM OFF* pad.

### If thermistor alarm sounds, contact an authorized Amana technician immediately.

If *ALARM OFF* pad is pressed, thermistor control retests to confirm situation has been corrected. Alarm sounds again if thermistor is still not operating properly.

### Display Lights

- Deactivate temperature display lights by pressing \* pad then pressing *DISPLAY OFF* pad.
- Activate temperature display lights by pressing any of top 5 pads.

### Clean Condenser Coil Light

Clean condenser coil light glows every 3 months as a reminder to clean condenser coils. Light automatically cancels in 72 hours.

- Deactivate clean condenser coil light before automatic reset by pressing *ALARM OFF* pad.

# Installation Checklist

---

This checklist is for personal records only.

## Consumer    Installer

### Doors

Doors are aligned with each other. (After food has been added to refrigerator , consumer should check door alignment).

Doors seal completely to refrigerator cabinet.

Handles are solidly attached to doors.

### Touchmatic™ Electronic and Ice 'N Water™ Dispenser Models

If doors were removed to install refrigerator, top hinge wire connectors are reconnected.

### Leveling

Refrigerator is stable.

Toe grille is properly attached to refrigerator.

### Ice Maker

Water supply to refrigerator is turned on.

Water leaks are not present at connection between household water supply and refrigerator. (After 24 hours, consumer should check connection for water leaks.)

Ice maker arm is in on position for ice production. (It may take up to 24 hours for first harvest of ice.)

### Product Literature

Owner's manual is reviewed including the following information.

- product registration card
- Refrigerator and freezer controls
- Chiller Fresh™ system
- Garden Fresh™ crispers
- normal operating sounds

### Water Filter (some models)

- Bypass cartridge is removed and water filter is installed

- Water leaks are not present around filter head

Notes \_\_\_\_\_

\_\_\_\_\_

\_\_\_\_\_

\_\_\_\_\_

\_\_\_\_\_  
Consumer's Signature

\_\_\_\_\_  
Installer's Signature

\_\_\_\_\_  
Installer's Company Name/Phone Number

\_\_\_\_\_  
Date



# Refrigerator Features



## Caution

To avoid property damage, confirm shelf is secure before placing items on shelf.

## Refrigerator Shelves

Models feature either glass or wire shelves. Shelves adjust up or down to meet individual storage needs. Some models feature Spillsaver™ shelves. Spillsaver™ shelves hold simple spills for easier cleaning.

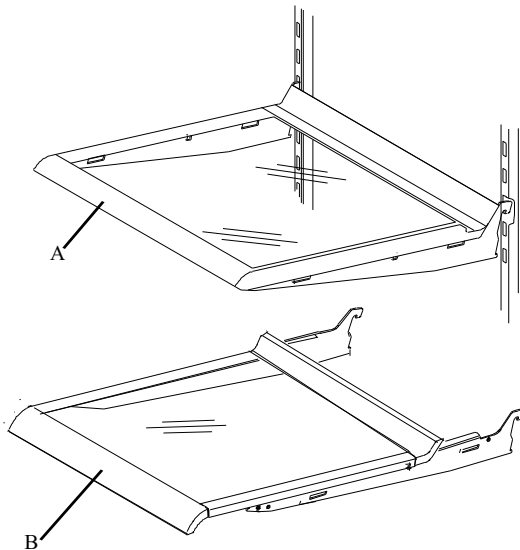


## Caution

To avoid personal injury or property damage, handle tempered glass shelves carefully. Shelves may break suddenly if nicked, scratched, or exposed to sudden temperature change.

- Remove shelves by lifting front, releasing hooks from metal track then pulling out.
- Replace shelves by inserting hooks into metal track and lowering front.

Some models also feature EasyGlide™ shelves that pull forward for easy access of items in back.



- A. Spillsaver™ Shelf
- B. EasyGlide™ Shelf (some models)

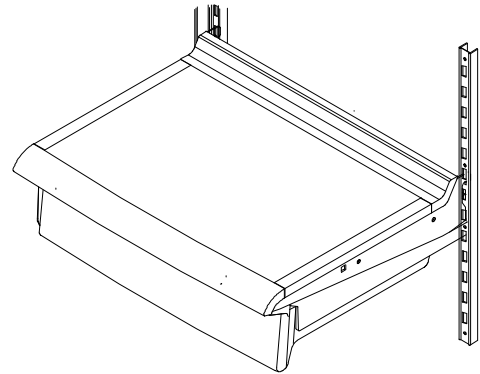
Shelves

## Chiller Fresh™ System (some models)

Chiller Fresh™ system features a drawer inside a sleeve. Air circulates between drawer and sleeve. This system keeps food fresh longer and up to 5°F (3°C) colder than refrigerator temperature.

Chiller Fresh™ control is located below front shelf trim. Control adjusts amount of air circulating around drawer. Slide control to *cold* for normal refrigerator temperature and to *colest* for colder temperature. Ice crystals may form on drawer or food on *colest* setting. Cold air can decrease refrigerator temperature. Refrigerator control may need to be adjusted.

- Remove drawer by lifting and pulling out. Remove shelf by lifting front, releasing hooks from metal track then pulling out.
- Replace shelf by inserting hooks into metal track and lowering front. Use slots 8 through 11 only. Replace drawer by sliding in. Confirm boot is over air inlet in side wall.



Chiller Fresh System

## Deli Fresh Drawer (Some models)

- Remove drawer by lifting and pulling out. Remove shelf by lifting front, releasing hooks from metal track then pulling out.
- Replace shelf by inserting hooks into metal track and lowering front. Replace drawer by sliding in.

## Garden Fresh™ Crispers

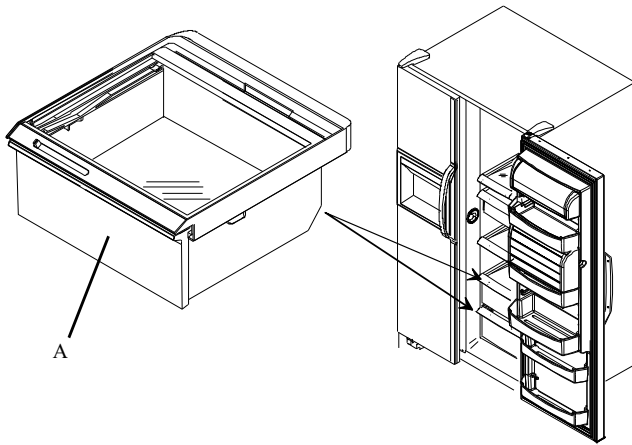
Garden Fresh™ crispers keep produce fresh longer. Wrap produce tightly. Do not wash produce before placing in crispers. Excess moisture could cause produce to spoil prematurely. Do not line crispers with paper towels. Paper towels will retain moisture.

Garden Fresh™ control is located below front shelf trim. Control adjusts humidity in crispers. Slide control to *high* for produce with leaves such as lettuce, spinach or cabbage. Slide control to *low* for produce with skins such as cauliflower, corn or tomatoes.



## Caution

To avoid personal injury or property damage, handle tempered glass shelves carefully. Shelves may break suddenly if nicked, scratched, or exposed to sudden temperature change.



A. Crisper Drawer  
Garden Fresh Crisper

Remove garden fresh crispers by completing the following steps.

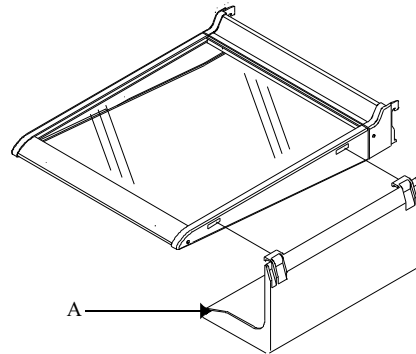
1. Remove crisper drawer by pulling out then lifting front upward.
2. Remove crisper shelf by lifting front of shelf while supporting underneath then pulling out.
3. Replace crispers and shelf by reversing steps 1–2.

## Storage Rack (some models)

Storage rack provides convenient storage for items such as a large bottle, eggs, etc.

Depending on location of shelf, hang rack using 1 of the following methods. Rack cannot be installed next to lower refrigerator section light.

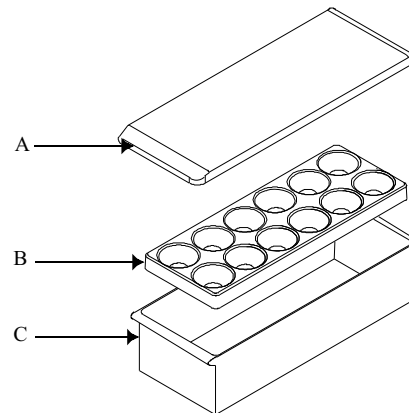
- Remove shelf by lifting front, releasing hooks from metal track then pulling out. Hang rack by inserting tabs into slots on side of shelf. Replace shelf by inserting hooks into metal track and lowering front.
- or
- Slide rack along side of shelf until tabs are inserted into slots.



A. Storage rack  
Storage Rack

## Covered Storage Bucket (some models)

Storage bucket has a lid and removable egg tray. When tray is removed, bucket will accept items such as a standard egg carton, ice, etc.



A. Lid  
C. Storage bucket

B. Egg tray

Storage Bucket

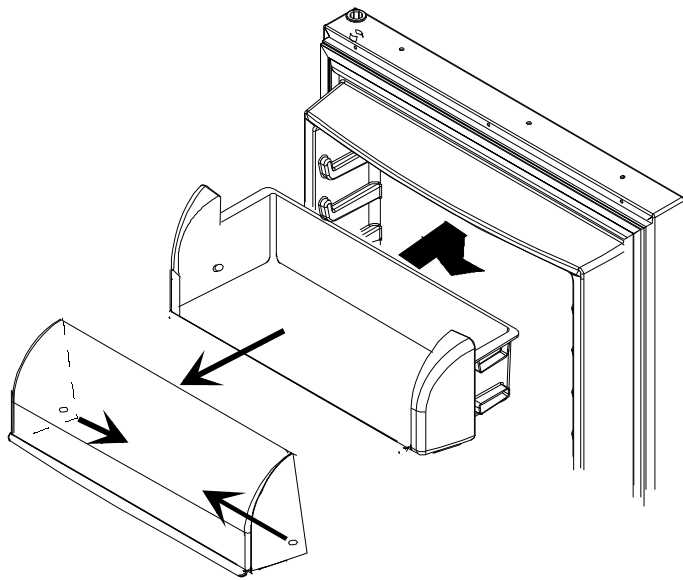
---

### Dairy Center (some models)

Dairy center provides convenient storage for items such as butter, cheese, etc.

Dairy Center is adjustable to accommodate storage needs. Dairy Center may also be removed for cleaning. To remove Dairy Center perform the following steps:

- Remove Dairy Center cover by opening cover. Push cover inward at pivot points and pull cover out. Lift Dairy Center up and pull out to remove.
- Replace Dairy Center by reversing procedure.



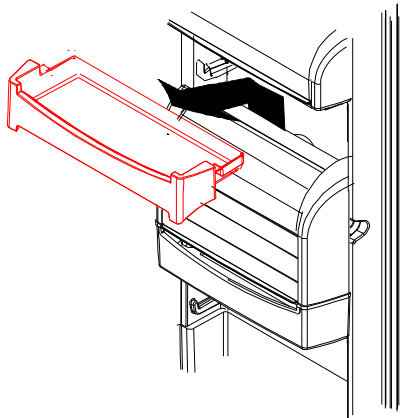
---

Dairy Center

### Snack Shelf (some models)

Snack shelf provides convenient storage for small items and snacks.

To remove snack shelf lift up and pull out. Replace snack shelf by sliding in above desired support rail and pushing down into place.



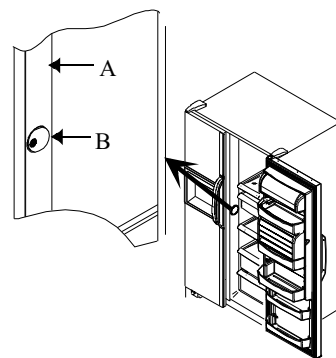
---

Snack Shelf

### Temperature Controlled Beverage Chiller™ (some models)

Temperature Controlled Beverage Chiller™ keeps beverages up to 5°F (3°C) colder than refrigerator section. Air inlet allows air from freezer section to pass to beverage chiller. Air inlet is located on interior wall of refrigerator door.

Beverage chiller control is located on left front wall of refrigerator section. Control adjusts amount of air circulating in beverage chiller. Turn control to *cold\** for normal refrigerator temperature and to *colder\*\** for colder temperature.



A. Refrigerator section left front wall  
B. Temperature control

---

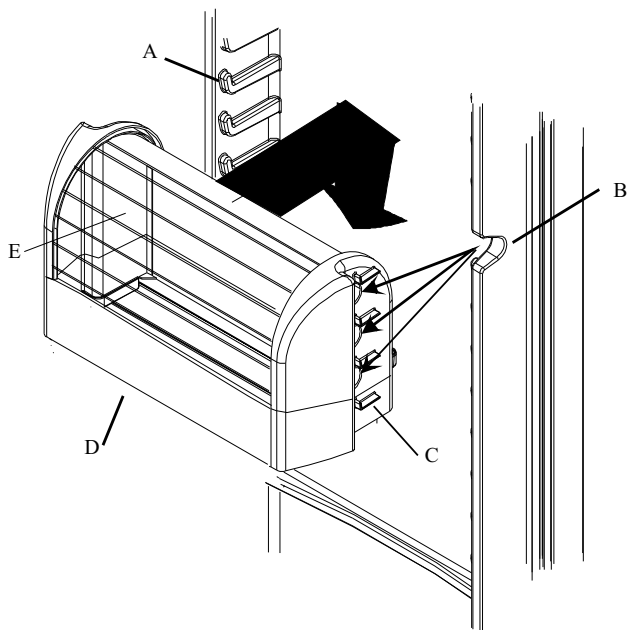
Beverage Chiller™ control

Beverage Chiller position is adjustable to accommodate storage needs. Beverage Chiller may also be removed for cleaning. To remove Beverage Chiller perform the following steps:

- Grasp Beverage Chiller by sides lift up and pull out to remove.
- To replace, slide Beverage Chiller between desired shelf rails in door liner and push Beverage Chiller down into place.
- If Beverage Chiller door track is cleaned, door track must be lubricated with petroleum jelly for proper operation of chiller door.

#### Important

For proper operation of Beverage Chiller, one of the 3 cold air intake holes must line up with notch in right door dike.



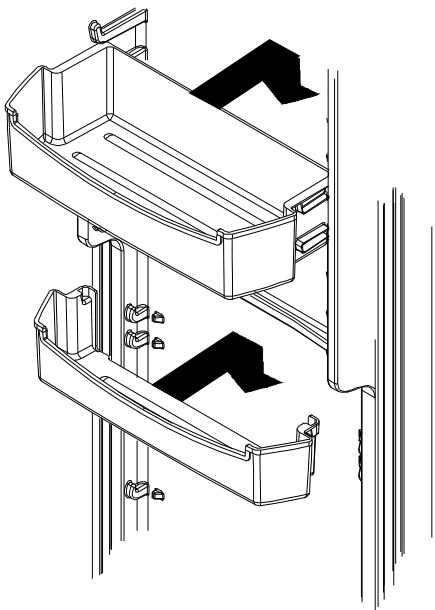
- A. Door liner shelf rail
- B. Notch in door dike must line up with one of Beverage Chiller cold air intake holes.
- C. Flange
- D. Beverage Chiller™
- E. Beverage Chiller Door tract

Beverage Chiller™

## Door Buckets and Shelves

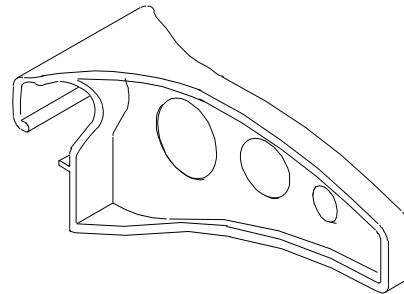
Door buckets adjust to meet individual storage needs.

- Remove door buckets by pushing bucket up and pulling out.
- Replace door buckets by sliding bucket in between shelf rails and pushing door bucket down into place.



## Adjustable Divider (Some models)

Adjustable divider keeps items in place and adjusts to meet individual storage needs. Divider fits in any door bucket or door shelf.



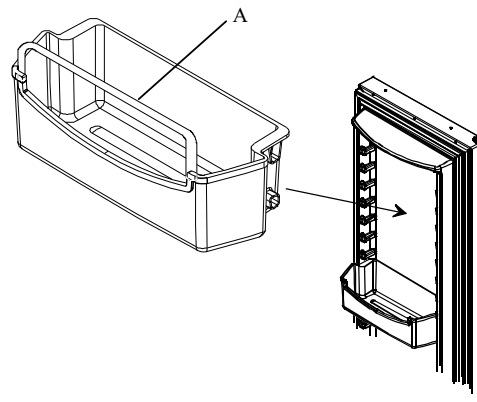
Adjustable divider

## Tall Package Retainer (some models)

Tall package retainer keeps tall items secure. Retainer fits in any door bucket. Tall package retainers in refrigerator door shelves are adjustable for two different heights.

To install, insert tall package retainer in holes in each side of door bucket or shelf front.

- Install tall package retainer with knobs on retainer facing outward for tall setting.
- For lower setting, install tall package retainer with knobs on retainer facing inward. Knobs slide into slots in retainer holes on inside front of bucket.



A. Tall package retainer

Tall package retainer installation

# Freezer Features

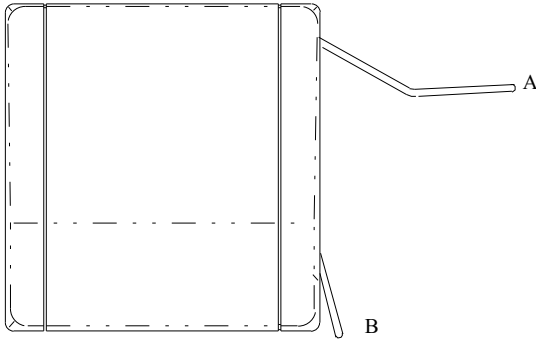


## Caution

To avoid property damage, confirm shelf is secure before replacing items on shelf.

### Automatic Ice Maker (some models)

- Confirm ice bucket is in place and ice maker arm is down.



A. Off position

B. On position

Ice maker operation

- After freezer section reaches normal temperature, ice maker fills with water and begins operating. Allow 24–48 hours after installation before first harvest of ice. Ice maker produces 7–9 harvests of ice in a 24-hour period under ideal conditions.
- After ice is formed, ice maker drops ice cubes into ice storage bucket. During ice production, ice maker arm raises and lowers. When ice storage bucket is full, ice maker arm turns ice maker off. Discard first 3 harvests of ice after initially connecting refrigerator to household water supply and after extended periods of nonuse.
- Stop ice production by raising ice maker arm. A definite click is heard when proper position is reached. Ice maker arm will remain in *off* position until pushed down.



## Caution

To avoid damage to ice maker, observe the following:

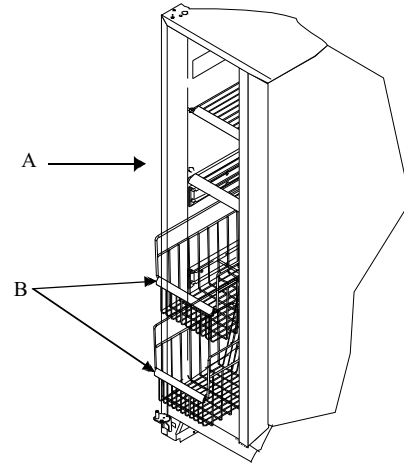
- Do not force ice maker arm down or up.
- Do not place or store anything in ice storage bucket.

### Stor-Mor® System

Wire baskets slide out for easy access of items in back and wire shelves (some models) can be rearranged to meet individual storage needs.

- Remove baskets by pulling out and lifting. Replace baskets by placing baskets on side rails, slide baskets right and back until round knob is behind stop on rail.

- Remove shelf by lifting right side of shelf out of clips and pulling out of left side mounting holes. Reverse procedure to reinstall shelf.



A. Wire shelves

B. Wire baskets

Freezer baskets and shelf

# Ice 'N' Water™ Dispenser (some models)



## Caution

To avoid personal injury or property damage, observe following instructions:

- Do not operate dispenser with freezer door open.
- Do not put fingers, hands, or any foreign object into dispenser opening.
- Do not use sharp objects to break ice.

## Water Dispenser Operation

It takes approximately 1 minute after initially pressing dispenser bar before water dispenses after initial connection of water supply. Discard first 10–14 containers of water after initially connecting refrigerator to household water supply and after extended periods of nonuse.

- Dispense water by pressing sturdy wide mouthed container against water dispenser bar.
- Stop water dispensing by releasing pressure on bar. A small amount of water may continue to fall. Spill shelf is not self-draining. Large spills should be wiped dry.

## Ice Dispenser Operation



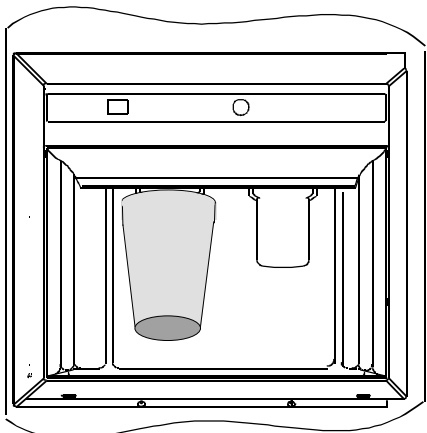
## Caution

To avoid property damage, do not dispense ice directly into thin glass, fine china, or delicate crystal.

- Select cubed or crushed mode by sliding lever on dispenser panel. Dispense ice by pressing wide mouthed container against ice dispenser bar.

### Important

**Reduce spraying of crushed ice by holding wide mouthed container directly under ice chute and as high as possible in dispenser area.**



Cup placement in dispenser

- Stop ice dispensing by releasing pressure on bar before container is full. Some ice will continue to fall. Do not remove container until last of ice falls.

If dispensing ice continuously, dispenser motor is designed to shut off after 3 to 5 minutes. Motor resets after 3 minutes and dispensing can continue.

A slight delay occurs when switching between cubed and crushed modes. Pieces of crushed ice will vary in size and shape. "Snow" may form on door and ice chute when repeatedly dispensing crushed ice. Allow "snow" to evaporate or wipe dry.

Dispenser operates only with cubes of proper size and crescent shape. Do not add purchased ice cubes or other shaped cubes to ice bucket.

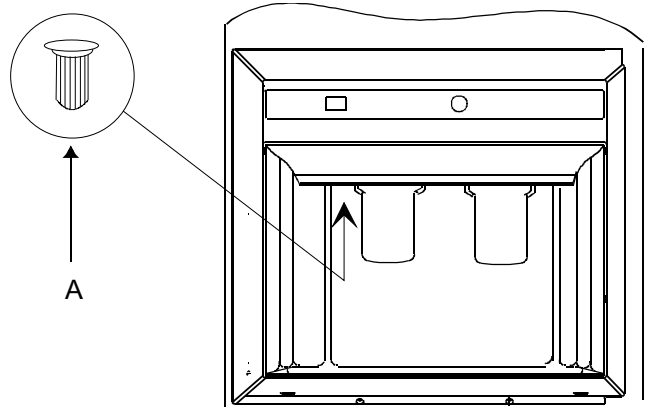
## Removing Ice Bucket

- Remove ice bucket by lifting bucket and pulling out.
- Replace ice bucket by sliding in until bucket locks in place. Ice bucket must be locked in place for proper ice dispensing. If freezer door does not close, bucket is not in proper location.

## Dispenser Light (some models)

A light is activated when dispensing ice or water. Some models feature a night light.

- Activate night light by pushing switch, located underneath dispenser and left of ice dispenser bar.



A. Night light switch  
Dispenser light location

## Taste and Odor

Observe the following to minimize taste and odor difficulties:

- Wrap foods in tightly sealed containers or moisture proof bags.
- Contact local water treatment company for specialized help if difficulties persist.
- If refrigerator has a water filter replace water filter cartridge, see *Water Filtration System Installation and Operating Instructions* for replacement procedure.

# Care and Cleaning



## WARNING

To avoid electrical shock which can cause severe personal injury or death, disconnect power to refrigerator before cleaning. After cleaning, connect power.



## Caution

To avoid personal injury or property damage, read and follow all cleaning product manufacturer's directions.

### General

1. Wash surfaces with 4 tablespoons baking soda dissolved in 1 quart warm water and a soft, clean cloth.
2. Rinse surfaces with warm water. Dry surfaces with a soft, clean cloth.
  - Do not use the following items:
    - abrasive or harsh cleaners, ammonia, chlorine bleach, etc.
    - concentrated detergents or solvents
    - metal scouring padsThese items can scratch, crack and discolor surfaces.
  - Do not place buckets, shelves, etc. in dishwasher.

### Odor Removal

1. Remove all food and disconnect power to refrigerator.
2. Clean all interior surfaces including ceiling, floor, and walls according to "General" instructions. Pay special attention to corners, crevices, and grooves. Include all drawers, shelves, and gaskets.
3. Connect power to refrigerator and return food to refrigerator. Wash and dry all bottles, containers and jars. Wrap foods in tightly sealed containers to prevent further odor. After 24 hours, check if odor was eliminated.

Complete the following steps if odor was not eliminated.

4. Complete steps 1–2.
5. Place garden fresh crispers on top shelf of refrigerator section. Pack refrigerator and freezer sections including doors with crumpled sheets of black and white newspaper.
6. Place charcoal briquettes randomly throughout newspaper.
7. Close doors and let stand 24–48 hours.
8. Remove charcoal briquettes and newspapers.
9. Complete steps 2–3.

Contact Consumer Affairs Department, if odor was still not eliminated. Refer to *Model Identification* section for phone number.

### Adhesives

1. Remove glue residue by rubbing toothpaste into adhesive with fingers until adhesive loosens.
2. Rinse surface with warm water. Dry surface with a soft, clean cloth.

### Door Gaskets

1. Keep gaskets clean at all times. Clean door gaskets thoroughly every 3 months according to "General" instructions.
2. Apply a light film of petroleum jelly to hinge side of door gasket to keep gaskets pliable.

### Condenser Coils

Clean condenser coil every 3 months to ensure maximum performance of refrigerator. Accumulated dust and lint may cause the following:

- reduced cooling performance
  - increased energy usage
  - premature compressor failure
1. Remove toe grille by holding ends and pulling forward.
  2. Clean front surface of condenser coil with a vacuum cleaner hose nozzle.
  3. Replace toe grille by inserting clips in holes and snapping in.



## Caution

To avoid property damage, protect soft vinyl or other flooring with cardboard, rugs, or other protective material.

4. Pull refrigerator away from wall. Run a vacuum brush across condenser fan outlet grille on back of refrigerator.

### Glass Shelves



## Caution

To avoid personal injury or property damage, handle tempered glass shelves carefully. Shelves may break suddenly if nicked, scratched, or exposed to sudden temperature change.

Remove shelf by lifting front, releasing hooks from metal track then pulling out. Place shelf on a towel. Allow shelf to adjust to room temperature before cleaning.

Clean crevices by completing the following steps:

1. Dilute mild detergent and brush solution into crevices using a plastic bristle brush. Let set for 5 minutes.
2. Spray warm water into crevices using faucet spray attachment.
3. Dry shelf thoroughly and replace shelf by inserting hooks into metal track and lowering front.

## Light Bulbs

### **WARNING**

To avoid electrical shock which can cause severe personal injury or death, disconnect power to refrigerator before replacing light bulb. After replacing light bulb, connect power.

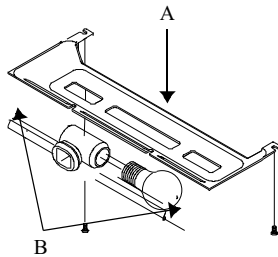
### **Caution**

To avoid personal injury or property damage, observe the following:

- Allow light bulb to cool.
- Wear gloves when replacing light bulb.

### Upper refrigerator and non dispensing models freezer section

- Remove light bulb cover by removing ¼" (6 mm) hex nut screws. Replace bulb with 40-watt appliance bulb.
- Replace light bulb cover by replacing ¼" (6 mm) hex nut screws.

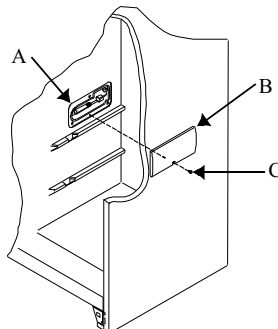


A. Light bulb cover      B. Light bulb

Upper refrigerator light bulb removal

### Lower refrigerator section (Some models)

- Remove light bulb cover by removing screw. Replace bulb with 40-watt tubular bulb.
- Replace light bulb cover by placing cover over light bulb. Insert and tighten screw.

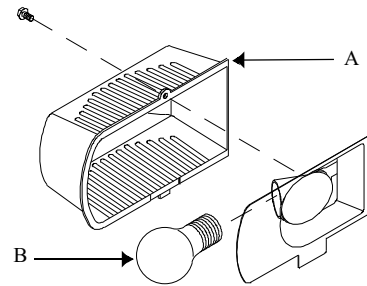


A. Light bulb      B. Light bulb cover  
C. Screw

Lower refrigerator light bulb removal

### Freezer section

1. Remove ice bucket by lifting bucket and pulling out.
2. Remove light bulb cover by removing screw. Replace bulb with 40-watt appliance bulb.
3. Replace light bulb cover by holding cover in place over light bulb. Insert and tighten screw.
4. Replace ice bucket by sliding in until bucket locks in place.



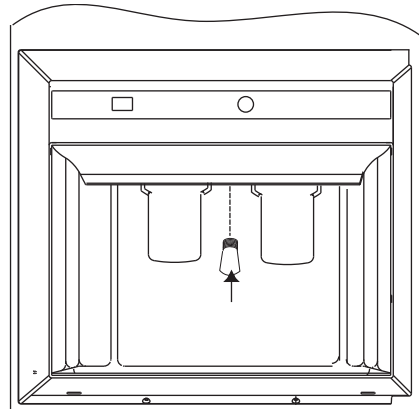
A. Light bulb cover      B. Light bulb

Freezer section light bulb removal

### Ice 'N' Water™ dispenser (Some models)

Light bulb is located between dispenser arms.

- Remove light bulb by unscrewing light bulb. Replace light bulb with a 6-watt, 120-volt bulb.
- Replace light bulb by inserting and tightening bulb.



Dispenser light bulb replacement



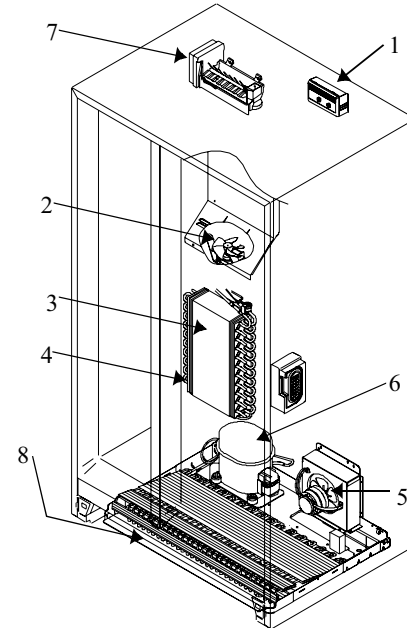
# Normal Operating Sounds

This new refrigerator may be replacing a differently designed, less efficient or smaller refrigerator. Today's refrigerators have new features and are more energy efficient. As a result, certain sounds may be unfamiliar. These sounds are normal and will soon become familiar. These sounds also indicate refrigerator is operating and performing as designed.

1. **Freezer control** clicks when starting or stopping compressor.
2. **Freezer fan** air rushes and whirs.
3. **Sealed system** (evaporator and heat exchanger) refrigerant flow gurgles, pops or sounds like boiling water.
4. **Defrost heater** sizzles, hisses or pops.
5. **Condenser fan** air rushes and whirs.
6. **Compressor** has a high pitched hum or pulsating sound.
7. **Ice cubes** from ice maker (some models) drop into ice bucket.
8. **Defrost heater** sizzles, hisses or pops.  
**Ice auger** (Ice 'N' Water™ Dispenser models) hums as auger agitates ice during dispensing. Ice auger is located in freezer door. (not shown)

**Ice maker water valve hookup** (some models) buzzes when ice maker fills with water. This occurs whether or not refrigerator is connected to water supply. If refrigerator is not connected to water supply, stop sound by raising ice maker arm to off position. Water valve hookup is located in back, bottom, left hand corner. (not shown)

Foam insulation is very energy efficient and has excellent insulating capabilities. However, foam insulation is not as sound absorbent as previously used fiberglass insulation. (not shown)



Sound location

# Before Calling For Service

---

Refrigerator does not operate.

- Confirm freezer control is on.
- Confirm refrigerator is plugged in.
- Check fuse or circuit breaker. Plug in another item at that wall outlet.
- Wait 40 minutes to see if refrigerator restarts. If freezer control is on, lights work but 2 fans and compressor are not operating, refrigerator may be in defrost cycle.

Refrigerator still won't operate.

- Unplug refrigerator. Transfer food to another unit or place dry ice in freezer section to preserve food.
- Warranty does not cover food loss.** Check warranty certificate for specific coverage.
- Call **1-800-628-5782** inside U.S.A. and **1-319-622-5511** outside U.S.A. to locate an **authorized** Amana technician.

Food temperature appears too warm.

- See above sections.
- Allow time for recently added warm food to reach refrigerator or freezer temperature.
- Check gaskets for proper seal.
- Clean condenser coils.
- Adjust refrigerator and/or freezer control.
- Confirm rear air grille is not blocked. Rear air grille is located behind garden fresh crisper.

Chiller Fresh™ system temperature is too warm.

- Turn control to colder setting.
- Adjust freezer control to colder setting.

Food temperature is too cold.

- Clean condenser coils.
- Adjust refrigerator control.
- Adjust freezer control to warmer setting. Allow several hours for temperature to adjust.
- One of 3 cold air intake holes in beverage chiller is not aligned with notch in right side door dike.

Refrigerator runs too frequently.

- It may be normal to maintain constant temperature.
- Doors may have been opened frequently or for an extended period of time.
- Allow time for recently added warm food to reach refrigerator or freezer temperature.
- Clean condenser coils.
- Adjust freezer control.
- Check gaskets for proper seal.

Water droplets form on inside of refrigerator.

- It is normal during high humidity periods or if doors have been opened frequently.

Water droplets form on outside of refrigerator.

- Check door gaskets for proper seal.

Garden Fresh™ crispers or Chiller Fresh™ system does not close freely.

- Check for a package which may prevent drawer from closing properly.
- Confirm drawer is in proper position.
- Clean drawer channels with warm, soapy water. Rinse and dry thoroughly.
- Apply a thin layer of petroleum jelly to drawer channels.
- Confirm refrigerator is level.

Refrigerator has an odor.

- See "Odor Removal" instructions in "Care and Cleaning" section.

Refrigerator or ice maker make unfamiliar sounds or seems too loud.

- It may be normal. See "Normal Operating Sounds" section.

Ice maker is not producing ice.

- Confirm ice maker arm is down.
- Confirm household water supply is reaching water valve.
- Confirm ice maker wiring harness is completely inserted into proper holes.
- Check for kinks in copper or plastic tubing. Remove kinks or replace tubing.
- Check electrical connections to water valve coil and connector block on refrigerator cabinet.
- Confirm freezer section is operating at proper temperature.

Ice cubes have an odor.

- See "Odor Removal" instructions in "Care and Cleaning" section.
- Discard ice and clean ice bucket or trays more frequently. Ice cubes are porous and absorb odors easily.

Ice cubes stick together or 'shrink'.

- Empty ice cube bucket or trays more frequently. If used infrequently, ice cubes may stick together or shrink.

Ice forms in inlet tube to ice maker.

- Check water pressure. Low water pressure will cause valve to leak. Self-piercing valves cause low water pressure. **Amana recommends using copper tubing to connect household plumbing to refrigerator. Do not use self-piercing valve. Amana is not responsible for property damage due to improper installation or water connection.**

## Energy Tips

This refrigerator is designed to be one of the most energy efficient refrigerators available. Reduce energy use by observing the following.

- Operate in normal household temperatures of 55°–110°F (13°–43°C) away from heat sources and direct sunlight.
- Set refrigerator, freezer, and Chiller Fresh™ system controls no colder than necessary.
- Keep freezer section full.
- Keep door gaskets clean and pliable. Replace gaskets if worn.
- Keep condenser coils clean.

## Vacation Tips

Complete the following steps for short vacations.

1. Remove perishable foods. **Warranty does not cover food loss.** Check warranty certificate for specific coverage.
2. If an ice maker is installed, move ice maker arm up, to off position.

Complete the following steps for long vacations.

1. Empty refrigerator and freezer sections.
2. Unplug refrigerator.
3. Clean refrigerator and door gaskets according to “General” instructions in “Care and Cleaning” section.
4. Prop doors open, so air can circulate inside.
5. If an ice maker is installed, turn water supply to refrigerator off and move ice maker arm up, to *off* position.

## Warranty (Electronic Models)

Warranty applies to models with electronic controls only.

**Full One Year Warranty**  
**Full Five Year Warranty on Sealed System Components and Food Compartment Liner**  
**Limited Five Year Warranty on Electronic Control Components**  
**Limited Ten Year Warranty on Sealed System Components**

### First Year

Amana will repair or replace, free of charge, any part which is defective due to workmanship or materials.

### Second through Fifth Year

Amana will replace, free of charge, any sealed system component (compressor, condenser, evaporator, drier, and interconnecting tubing) and repair any food compartment liner (exclusive of door liner) which is defective due to workmanship or materials.

### Second through Fifth Year

Amana will provide a free replacement part, f.o.b. Amana, Iowa, for any electronic control component (high voltage and low voltage P.C. boards, and upper trim keyboard assembly) which is defective due to workmanship or materials.

### Sixth through Tenth Year

Amana will provide a replacement part f.o.b. Amana, Iowa, for any sealed system component (compressor, condenser, evaporator, and interconnecting tubing), which is defective due to workmanship or materials.

### Warranty Limitations

- Begins at date of original purchase.
- Applies to product used within the United States or in Canada if product has Canadian Standards Association listing when Shipped from the factory.
- Service must be performed by an **authorized** Amana technician.
- Damage due to shipping and handling is not covered by this warranty.

### Warranty Is Void If

- Serial plate is defaced.
- Product is used on a commercial, rental or leased basis.
- Product has defect or damage due to product accident, alteration, connection to an improper electrical supply, fire, flood, lightning, or other conditions beyond the control of Amana.
- Product is improperly installed or used.

### Owner's Responsibilities

- Provide proof of purchase (sales receipt).
- Provide normal care and maintenance. Replace owner replaceable items where directions appear in Owner's Manual.
- Make product reasonably accessible for service.
- Pay premium service costs for service outside technician's normal business hours.
- Pay for service calls related to product installation and usage.

### In no event shall Amana be liable for incidental or consequential damages including food loss\*

\*This warranty gives you specific legal rights and you may have others which vary from state to state. For example, some states do not allow the exclusion or limitation of incidental or consequential damages so this exclusion may not apply to you.

# Warranty

Warranty applies to models having SR or SB as first two letters of model number

<b>Full One Year Warranty</b> <b>Full Five Year Warranty on Sealed System Components and Food Compartment Liner</b> <b>Limited Ten Year Warranty on Sealed System Components</b>	
<b>First Year</b> Amana will repair or replace, free of charge, any part which is defective due to workmanship or materials.	
<b>Second through Fifth Year</b> Amana will replace, free of charge, any sealed system component (compressor, condenser, evaporator, drier and interconnecting tubing) and repair any food compartment liner (exclusive of door liner) which is defective due to workmanship or materials.	
<b>Sixth through Tenth Year</b> Amana will provide a replacement part f.o.b. Amana, Iowa, for any sealed system component (compressor, condenser, evaporator, drier and interconnecting tubing), which is defective due to workmanship or materials.	
<b>Warranty Limitations</b> <ul style="list-style-type: none"><li>• Begins at date of original purchase.</li><li>• Applies to product used within the United States or in Canada if product has Canadian Standards Association listing when shipped from the factory.</li><li>• Service must be performed by an <b>authorized</b> Amana technician.</li><li>• Damage due to shipping and handling is not covered by this warranty.</li></ul>	<b>Owner's Responsibilities</b> <ul style="list-style-type: none"><li>• Provide proof of purchase (sales receipt).</li><li>• Provide normal care and maintenance. Replace owner replaceable items where directions appear in Owner's Manual.</li><li>• Make product reasonably accessible for service.</li><li>• Pay premium service costs for service outside technician's normal business hours.</li><li>• Pay for service calls related to product installation and usage.</li></ul>
<b>Warranty Is Void If</b> <ul style="list-style-type: none"><li>• Serial plate is defaced.</li><li>• Product is used on a commercial, rental or leased basis.</li><li>• Product has defect or damage due to product accident, alteration, connection to an improper electrical supply, fire, flood, lightning, or other conditions beyond the control of Amana.</li><li>• Product is improperly installed or used.</li></ul>	<b>In no event shall Amana be liable for incidental or consequential damages including food loss*</b>  *This warranty gives you specific legal rights and you may have others which vary from state to state. For example, some states do not allow the exclusion or limitation of incidental or consequential damages so this exclusion may not apply to you.

# Warranty

Warranty applies to models having SC, SQ, or SX as first two letters of model number.

<b>Full One Year Warranty</b> <b>Full Five Year Warranty on Sealed System Components and Food Compartment Liner</b>	
<b>First Year</b> Amana Appliances will repair or replace, free of charge, any part which is defective due to workmanship or materials.	
<b>Second through Fifth Year</b> Amana Appliances will replace, free of charge, any sealed system component (compressor, condenser, evaporator, drier and interconnecting tubing) and repair any food compartment liner (exclusive of door liner) which is defective due to workmanship or materials.	
<b>Warranty Limitations</b> <ul style="list-style-type: none"><li>• Begins at date of original purchase.</li><li>• Applies to product used within the United States or in Canada if product has Canadian Standards Association listing when shipped from the factory.</li><li>• Service must be performed by an <b>authorized</b> Amana technician.</li><li>• Damage due to shipping and handling is not covered by this warranty.</li></ul>	<b>Owner's Responsibilities</b> <ul style="list-style-type: none"><li>• Provide proof of purchase (sales receipt).</li><li>• Provide normal care and maintenance. Replace owner replaceable items where directions appear in Owner's Manual.</li><li>• Make product reasonably accessible for service.</li><li>• Pay premium service costs for service outside technician's normal business hours.</li><li>• Pay for service calls related to product installation and usage.</li></ul>
<b>Warranty Is Void If</b> <ul style="list-style-type: none"><li>• Serial plate is defaced.</li><li>• Product is used on a commercial, rental or leased basis.</li><li>• Product has defect or damage due to product accident, alteration, connection to an improper electrical supply, fire, flood, lightning, or other conditions beyond the control of Amana.</li><li>• Product is improperly installed or used.</li></ul>	<b>In no event shall Amana Appliances be liable for incidental or consequential damages including food loss*</b>  *This warranty gives you specific legal rights and you may have others which vary from state to state. For example, some states do not allow the exclusion or limitation of incidental or consequential damages so this exclusion may not apply to you.

## Table des matières

Normes électriques .....	21
Identification du modèle .....	21
Service après-vente .....	22
Programme d'entretien prolongé Asure™ .....	22
Pièces et accessoires .....	22
Mise au rebut du réfrigérateur .....	22
Instructions d'installation .....	23
Commandes .....	26
Commandes du réfrigérateur et du congélateur (modèles non-électroniques) .....	26
Réglage des commandes .....	26
Commandes électroniques Touchmatic™ (certains modèles) .....	27
Liste de contrôle d'installation .....	29
Caractéristiques du réfrigérateur .....	30
Clayettes du réfrigérateur .....	30
Système Chiller Fresh™ (sur certains modèles) ...	30
Tiroir à Charcuterie (Certains modèles) .....	30
Bacs à légumes Garden Fresh™ .....	31
Rayon de rangement (certains modèles) .....	31
Compartiment de rangement couvert (certains modèles) .....	31
Casier laitier (certains modèles) .....	32
Refroidisseur de casse-croûte(certains modèles)	32
Refroidisseur de boissons à température contrôlée (certains modèles) .....	32
Compartiments de porte et clayettes .....	33
Séparateur réglable (certains modèles) .....	33
Conteneur de grands emballages (certains modèles) .....	33
Caractéristiques du congélateur .....	34
Appareil à glaçons automatique (certains modèles) .....	34
Rayon congélateur (certains modèles) .....	34
Système Stor-Mor® .....	34
Distributeur Ice 'N' Water™ (certains modèles) .....	35
Fonctionnement du distributeur d'eau .....	35
Fonctionnement du distributeur de glaçons .....	35
Retrait du bac à glace .....	36
Éclairage du distributeur (certains modèles) .....	36
Goût et odeur .....	36
Entretien et nettoyage .....	37
Général .....	37
Suppression des odeurs .....	37
Adhésifs .....	37
Joints de porte .....	37
Bobines de condensateur .....	37
Clayettes en verre .....	38
Ampoules électriques .....	38
Bruits de fonctionnement normaux .....	40
Avant d'appeler le technicien .....	40
Conseils pour économiser l'énergie .....	41
Conseils pour les vacances .....	42
Garantie (modèles électroniques) .....	42
Garantie (modèles non électroniques) .....	43
Garantie .....	43

## Normes électriques

 **Ce symbole indique une mesure de sécurité**

### **MISE EN GARDE**

Pour empêcher tout risque d'électrocution pouvant causer des blessures graves, voire mortelles, ce réfrigérateur doit être correctement mis à la terre.

Instructions de mise à la terre - Ce réfrigérateur est muni d'une fiche à 3 broches de mise à la terre pour prévenir le risque d'électrocution. Si une prise de courant à deux broches est présente, contacter un électricien qualifié et faire remplacer la prise de courant à deux broches par une prise de courant à trois broches correctement mise à la terre conformément aux normes du Code national de l'électricité.

Le réfrigérateur est conçu pour fonctionner sur une ligne de 60 Hz, 15 ampères, 103 à 126 volts.

**Ne jamais couper ou enlever la broche ronde de mise à la terre de la fiche. Le réfrigérateur doit être mis à la terre en tout temps. Ne jamais enlever l'étiquette d'avertissement du cordon d'alimentation.**

**Ne jamais utiliser d'adaptateur à deux broches.**  
Ne jamais utiliser de rallonge.

## Identification du modèle

Merci d'avoir fait l'achat d'un réfrigérateur Amana®. Veuillez lire attentivement le manuel du propriétaire. Ce manuel renferme des renseignements sur l'entretien de l'appareil. Pour toute question, appeler le service à la clientèle au **1-800-843-0304** aux États-Unis et le **1-319-622-5511** à l'extérieur des États-Unis.

**Remplir la carte d'enregistrement** et la renvoyer promptement. Si aucune carte d'enregistrement n'est fournie, appeler le service à la clientèle. **Veillez conserver une copie de la facture** pour référence future.

**Pour plus d'informations, visiter notre site Web : [www.amana.com](http://www.amana.com)**

# Programme d'entretien prolongé Asure™

Lorsque vous communiquez avec Amana, veuillez fournir les renseignements concernant l'appareil. Ces renseignements apparaissent sur la plaque du numéro de série située dans le coin supérieur gauche, plafond du compartiment Fresh Food. Veuillez noter les renseignements suivants :

Numéro de modèle : \_\_\_\_\_

Numéro de fabrication : \_\_\_\_\_

Numéro de série : \_\_\_\_\_

Date d'achat : \_\_\_\_\_

Nom et adresse du marchand : \_\_\_\_\_

## Service après-vente

**Veillez conserver une copie de la facture** pour référence future ou pour obtenir des prestations de garantie. Appeler le 1-800-NAT-LSVC (1-800-628-5782) aux États-Unis ou le 1-319-622-5511 à l'extérieur des États-Unis pour connaître le centre de service agréé ou technicien indépendant agréé par Amana le plus près de chez vous. Les réparations sous garantie doivent être effectuées par un technicien agréé par Amana. Amana recommande également de contacter un technicien agréé par elle-même si l'appareil nécessite une réparation suite à l'expiration de la garantie.

Amana est heureuse de vous offrir un programme d'entretien prolongé pour ce nouveau réfrigérateur. Ce programme Asure™ est spécialement conçu pour compléter l'excellente garantie d'Amana.

Asure™ comprend les pièces, la main-d'oeuvre et les frais de déplacement. Pour de plus amples renseignements, appeler le 1-800-528-2682.

## Pièces et accessoires

Les pièces de rechange et autres accessoires (ex., clayettes de réfrigérateur) peuvent être achetés par téléphone. Pour commander des accessoires pour un produit Amana, appeler le 1-800-843-0304 aux États-Unis ou le 1-319-622-5511 à l'extérieur des États-Unis.

## Mise au rebut du réfrigérateur

**IMPORTANT : Les enfants qui se trouvent enfermés dans un réfrigérateur et y meurent d'asphyxie ne sont pas un problème du passé. Les réfrigérateurs mis au rebut ou abandonnés sont encore dangereux, même s'ils ne sont là que « pour quelques jours ». Lors de la mise au rebut d'un réfrigérateur, veiller à suivre les indications ci-dessous pour éviter les accidents.**

### AVANT DE JETER VOTRE VIEUX RÉFRIGÉRATEUR OU CONGÉLATEUR :

- Enlever les portes.
- Laisser les étagères en place de façon à ce que les enfants aient des difficultés à se glisser à l'intérieur.



# Instructions d'installation

Une installation adéquate assurera le fonctionnement efficace de ce réfrigérateur. Amana ne peut être tenue responsable en cas d'installation inadéquate.

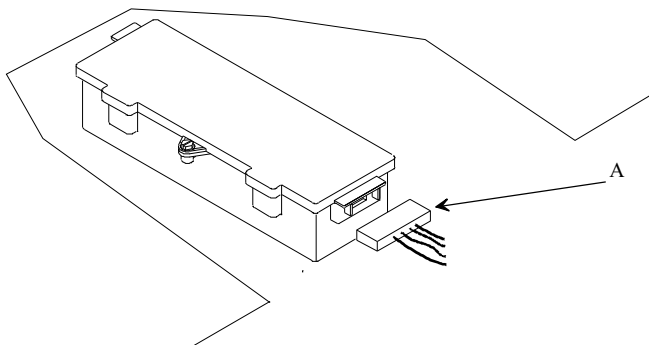
## 1. Enlever les portes si nécessaire.



### MISE EN GARDE

Pour éviter tout risque d'électrocution pouvant causer des blessures graves, voire mortelles, toujours débrancher le réfrigérateur avant d'enlever les portes. Après avoir replacé les portes, brancher l'appareil.

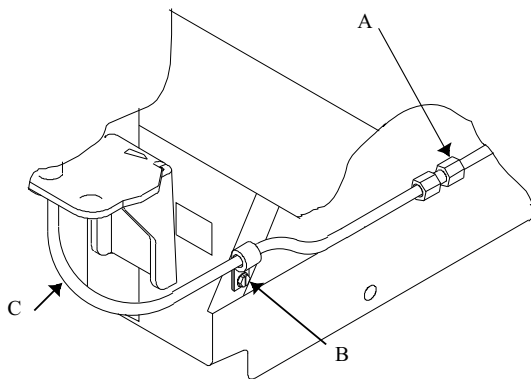
- Enlever la grille.
- Modèles électroniques**  
Débrancher le faisceau de câbles du boîtier de tension.



A. Faisceau de câbles

Débrancher le faisceau de câbles

- Modèles avec distributeur**  
Desserrer la vis de serrage du tuyau d'eau. Desserrer l'écrou de raccord du tuyau d'eau en plastique. Tirer le tuyau d'eau hors de l'écrou de raccord et à travers la bride de fixation du tuyau.



A. Écrou de serrage du tuyau d'eau  
B. Vis de raccord du tuyau d'eau en plastique  
C. Tuyau d'eau

Débranchement de l'alimentation en eau à l'avant

- Retirer les couvercles des charnières supérieures. (A ci-dessous)

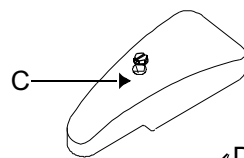


### MISE EN GARDE

Pour éviter tout risque d'électrocution pouvant causer des blessures graves, voire mortelles, le fil de mise à la terre vert doit rester fixé à la charnière.

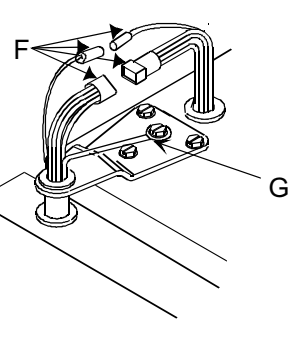
- Modèles avec distributeur et modèles électroniques**  
Débrancher les serre-fils de la charnière supérieure. Ne pas retirer le fil de mise à la terre vert de la charnière. Soulever soigneusement et enlever les charnières supérieures. Ne pas déplacer les charnières. (B)

A



C. Couvercle des charnières  
D. Vis des charnières de porte  
E. Charnière supérieure

B



F. Serre-fils  
G. Fil de mise à la terre vert

Retrait de la charnière supérieure

- Enlever les portes.



### Attention

Pour éviter tous dégâts matériels, recouvrir les tuiles de vinyle ou autre type de plancher avec du carton, des tapis ou autre matériel de protection avant de déplacer le réfrigérateur.

- Glisser le chariot servant à transporter l'appareil sous le côté du réfrigérateur. Recouvrir le réfrigérateur avec un coussin ou une couverture. Enfiler la courroie du chariot autour du réfrigérateur et serrer. Ne pas trop serrer la courroie. Déplacer le réfrigérateur devant l'endroit désiré.
- Replacer les portes en procédant à l'inverse des étapes a-f. Utiliser une pièce d'un sou sur le dessus des portes pour créer un espace de 3/4 po (18 mm) entre la porte et l'appareil.

## 2. Installation de la cartouche de filtration d'eau (certains modèles)

- Retirer la cartouche de déviation de la tête du filtre à eau dans le coin arrière droit du compartiment réfrigérateur. Tourner la cartouche d'un quart de tour dans le sens contraire des aiguilles d'une montre et tirer pour la retirer. Conserver la cartouche de déviation pour l'utiliser à une date ultérieure.
- Voir la rubrique *Installation du système de filtration de l'eau* et les *Instructions de mise en service* fournies avec la cartouche du filtre à eau pour installer et faire fonctionner le filtre.

## 3. Raccordement de l'alimentation en eau



### MISE EN GARDE

Pour éviter tout risque d'électrocution pouvant causer des blessures graves, voire mortelles, débrancher l'alimentation en électricité du réfrigérateur avant de raccorder l'alimentation en eau. Après avoir raccordé l'alimentation en eau, brancher le réfrigérateur.



### Attention

Pour éviter tous dommages matériels, observer les recommandations suivantes :

- Vérifier que la pression d'eau est située entre 20 et 100 lb par pouce carré.
- Si un filtre à eau doit être installé, la pression d'eau doit être au minimum de 35 lb par pouce carré.
- Commencer à visser les écrous de la conduite à la main en veillant à ne pas fausser le filetage. Finir de les visser à l'aide d'une clé à molette et de pinces. Ne pas trop serrer.
- Vérifier qu'il n'y a pas de fuites avant de remettre le réfrigérateur à son emplacement normal. Bien s'assurer qu'il n'y a pas de fuites 24 heures après le raccordement.

### Important

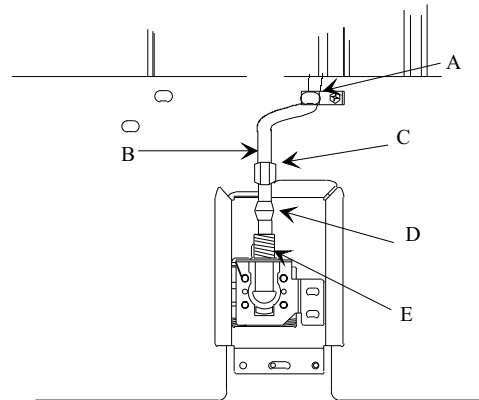
- Avant de brancher l'alimentation en eau, contacter un plombier pour raccorder la conduite en cuivre sur l'arrivée d'eau de la maison conformément aux codes et règlements locaux.
- Ne pas utiliser de soupape autotaraudeuse de  $\frac{3}{16}$  po. Elle réduit le débit d'eau, se bouche et peut causer des fuites si l'on cherche à la réparer. Une soupape d'arrêt adéquate exige le perçage d'un trou de  $\frac{1}{4}$  po (6 mm) dans un tuyau d'alimentation en eau avant de fixer la soupape. Le fabricant n'est pas responsable des dommages matériels causés par un raccord d'eau incorrect.

### Matériel nécessaire

Conduite en cuivre flexible de  $\frac{1}{4}$  po (6 mm). La longueur de la conduite doit être suffisante pour couvrir la distance entre le réfrigérateur et le point de raccordement à l'alimentation en eau, additionnée de 8 pi (2 m) pour former, à l'arrière du réfrigérateur, une boucle permettant le déplacement de celui-ci.

### Procédure

- Retirer le capuchon en plastique du port de soupape d'entrée d'eau. Placer l'écrou en laiton et le manchon en laiton dans la conduite en cuivre. Raccorder la conduite en cuivre au port de soupape d'entrée d'eau. Raccorder l'écrou en laiton se trouvant sur la conduite en cuivre au port de soupape d'entrée d'eau. S'assurer que la conduite en cuivre est bien en place en tirant dessus.



- |                          |                                      |
|--------------------------|--------------------------------------|
| A. Bride de serrage en P | D. Manchon en laiton                 |
| B. Conduite en cuivre    | E. Raccord de soupape d'entrée d'eau |
| C. Écrou en laiton       |                                      |

Raccord de conduite d'eau

- Ouvrir l'arrivée d'eau du réfrigérateur et vérifier qu'il n'y a pas de fuite. Réparer toute fuite éventuelle.
- Former des boucles dans la conduite en prenant soin de ne pas créer des coques pour faciliter l'accès au réfrigérateur par la suite. **Fixer la conduite en cuivre au réfrigérateur à l'aide de la bride en P.**
- Brancher le cordon d'alimentation.**
- Déplacer le réfrigérateur à l'endroit désiré.**

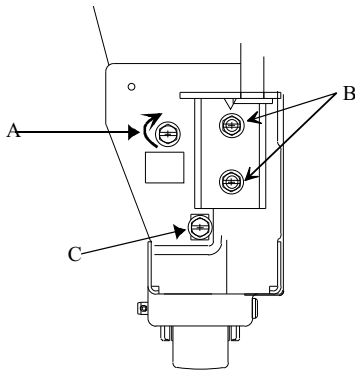


---

## 6. Stabilisation du réfrigérateur et alignement des portes

Si le réfrigérateur oscille ou n'est pas stable, procéder comme suit:

- Déterminer quel coin arrière oscille.
- Retirer la grille pour accéder aux vis d'ajustement de la roulette.
- Tourner la vis d'ajustement de la roulette dans le sens horaire pour soulever le coin oscillant.



- A. Vis d'ajustement de la roulette arrière
- B. Vis de la charnière de porte
- C. Vis d'ajustement de la roulette avant

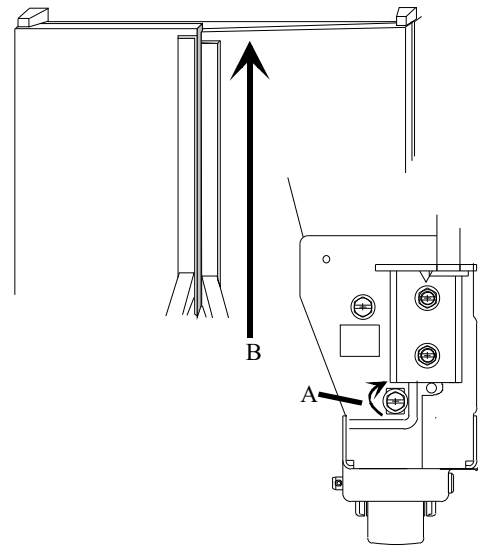
---

Stabilisation du réfrigérateur

- Vérifier l'alignement du dessus des portes. Si les portes sont de niveau, replacer la grille.

Si le dessus des portes n'est pas de niveau, procéder comme suit :

- Déterminer quelle porte doit être soulevée (si la grille n'a pas encore été retirée, le faire à ce moment.)
- Tourner la vis d'ajustement de la roulette avant dans le sens horaire pour soulever le coin avant de la porte qui doit être soulevé. La vis d'ajustement de la roulette doit être tournée jusqu'à ce que les portes soient de niveau.
- Replacer la grille.



- A. Tourner la vis d'ajustement de la roulette dans le sens horaire pour soulever la porte.
- B. Continuer à tourner la vis dans le sens horaire jusqu'à ce que les portes soient de niveau.

---

Mise à niveau des portes

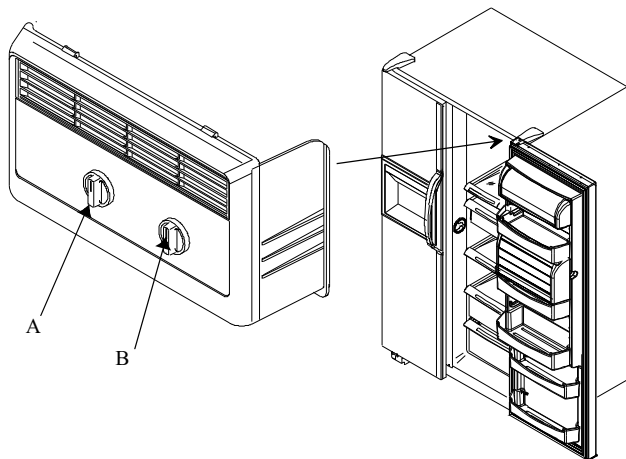
## 7. Vérifier avec le client la « Liste de contrôle d'installation » dans le manuel du propriétaire.

# Commandes

Ce réfrigérateur fonctionne de façon plus efficace lorsque la température ambiante se situe entre 55 et 110 °F (13 à 43 °C).

## Commandes du réfrigérateur et du congélateur (modèles non-électroniques)

Les commandes du réfrigérateur et du congélateur sont situées sur la partie arrière supérieure du compartiment réfrigérateur.



- A. Commande du congélateur
- B. Commande du réfrigérateur

### Commandes

Lorsque la commande du congélateur est en position « off » (arrêt), ni l'un ni l'autre du compartiment congélateur ou du compartiment réfrigérateur ne se refroidiront. Au départ, régler ces deux commandes sur 4. Attendre 24 heures avant que les compartiments congélateur et réfrigérateur aient atteint les températures désirées. Après 24 heures, régler les commandes sur les valeurs désirées 1 chiffre à la fois. Le réglage le plus chaud est 1 tandis que 7 est le réglage le plus froid.

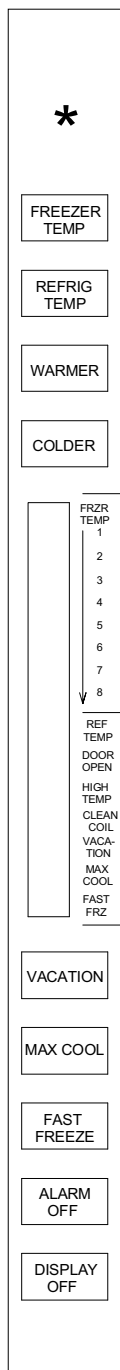
## Réglage des commandes

Régler les commandes avec précision à l'aide d'un thermomètre domestique dont les températures se situent entre -5 et 50 °F (-21 et 10 °C).

Placer le thermomètre entre les emballages congelés dans le compartiment congélateur. Attendre 5 à 8 heures. Si la température du congélateur ne se situe pas entre 0 et 2 °F (-17 et -16 °C), régler la commande, 1 chiffre à la fois. Vérifier de nouveau après 5 à 8 heures.

Placer le thermomètre dans un verre d'eau au milieu du compartiment réfrigérateur. Attendre 5 à 8 heures. Si la température du réfrigérateur ne se situe pas entre 38 et 40 °F (3 et 4 °C), régler la commande, 1 chiffre à la fois. Vérifier de nouveau après 5 à 8 heures.

## Commandes électroniques Touchmatic™ (certains modèles)



Localiser l'interrupteur de puissance sur le côté droit de la boîte noire au centre du meuble derrière la grille. Mettre l'interrupteur en position « on » (marche) avant de programmer.

Les commandes électroniques Touchmatic™ sont situées entre les poignées de porte du réfrigérateur. Appuyer sur la touche \* pour activer le tableau de commande. Toutes les autres touches, à l'exception de « ALARM OFF » (Alarme éteinte), demeurent inactives jusqu'à ce que l'on appuie sur \*. Une fois activées, les touches demeurent programmables pendant au moins 10 minutes.

Les commandes du réfrigérateur et du congélateur sont pré-réglées sur 5. Attendre 24 heures après avoir branché l'appareil pour que les compartiments réfrigérateur et congélateur atteignent les températures désirées. Après 24 heures, régler les commandes sur les positions désirées. Un constitue le réglage le plus chaud et 9, le plus froid. Consulter la section « Réglage des commandes » pour régler les commandes de façon adéquate.

- Régler la température du réfrigérateur ou du congélateur en appuyant sur \* puis sur la touche « REFRIG TEMP » (Température du réfrigérateur) ou sur « FREEZER TEMP » (Température du congélateur). Appuyer sur la touche « WARMER » (Plus chaud) ou « COLDER » (Plus froid) pour régler la température un niveau à la fois. Pour régler la température de plus d'un niveau à la fois, appuyer de façon continue sur « WARMER » ou « COLDER ».

### Signal sonore d'entrée

Le signal sonore d'entrée indique qu'une touche a été enfoncée et que la commande a été lue et acceptée.

- Désactiver le signal sonore d'entrée en appuyant et en maintenant la touche \* enfoncée pendant 3 à 5 secondes. Trois courts bips sonores indiquent que les instructions ont été reçues.
- Activer le signal sonore d'entrée en appuyant et en maintenant la touche \* enfoncée pendant 3 à 5 secondes.

### Mode vacances

Le mode vacances permet de dégivrer le réfrigérateur moins souvent durant les périodes prolongées d'inutilisation.

- Activer le mode vacances en appuyant sur la touche \*, puis sur « VACATION » (Vacances). L'indicateur lumineux s'allumera.
- Désactiver le mode vacances en appuyant sur la touche \*, puis sur « VACATION ». Le mode vacances peut aussi être désactivé en ouvrant ou en fermant la porte du compartiment congélateur ou Fresh Food.

### Mode réfrigérateur Max

Le mode réfrigérateur Max permet de régler la température du réfrigérateur sur le réglage le plus froid. Après 10 heures, la température du réfrigérateur revient automatiquement au réglage précédent.

- Activer le mode réfrigérateur Max en appuyant sur la touche \*, puis sur « MAX COOL » (Température minimum du réfrigérateur). L'indicateur lumineux s'allumera.
- Désactiver le mode réfrigérateur Max avant la remise à zéro automatique en appuyant sur la touche \*, puis sur « MAX COOL ».

### Mode congélateur rapide

Le mode congélateur rapide permet de régler la température du congélateur sur le réglage le plus froid. Après 24 heures, la température du congélateur revient automatiquement au réglage précédent.

- Activer le mode congélateur rapide en appuyant sur la touche \*, puis sur « FAST FREEZE » (Température minimum du congélateur). L'indicateur lumineux s'allumera.
- Désactiver le mode congélateur rapide avant la remise à zéro automatique en appuyant sur la touche \*, puis sur « FAST FREEZE ».

---

### **Alarme d'ouverture de porte**

L'alarme d'ouverture de porte se fait entendre et un indicateur lumineux clignote lorsque l'une des portes demeure ouverte durant plus de 3 minutes.

- Désactiver l'alarme d'ouverture de porte en appuyant sur la touche « ALARM OFF » (Arrêt de l'alarme) ou en fermant l'une des portes.
- Activer l'alarme d'ouverture de porte en appuyant sur la touche \*, puis en maintenant la touche « ALARM OFF » enfoncée durant 3 à 5 secondes. Trois courts bips sonores indiquent que les instructions ont été reçues.

### **Alarme de température élevée**

L'alarme de température élevée se fait entendre et un indicateur lumineux s'allume lorsque la température du réfrigérateur ou du congélateur est élevée pendant plus de 2 heures. Un voyant clignotant indique le compartiment affecté. L'alarme cesse de sonner lorsque la température appropriée est atteinte.

- Désactiver l'alarme de température élevée en appuyant sur la touche « ALARM OFF ».

### **Alarme de thermistance**

La thermistance détecte automatiquement la température des compartiments congélateur et réfrigérateur. L'alarme de la thermistance se fait entendre et les indicateurs lumineux défilent de 5 à 8 si la thermistance des compartiments congélateur et réfrigérateur ne fonctionne pas correctement.

- Désactiver l'affichage en appuyant sur la touche « ALARM OFF ».

### **Si l'alarme de la thermistance retentit, contacter immédiatement un technicien agréé par Amana®.**

Si la touche « ALARM OFF » est enfoncée, la commande de la thermistance procède à un nouvel essai pour s'assurer que l'on a remédié au problème. L'alarme retentit de nouveau si la thermistance ne fonctionne toujours pas adéquatement.

### **Lumières d'affichage**

- Désactiver les lumières d'affichage de température en appuyant sur la touche \*, puis sur « DISPLAY OFF » (Affichage désactivé).
- Activer les lumières d'affichage de température en appuyant sur n'importe laquelle des 5 touches de la partie supérieure.

### **Lumière du nettoyage des bobines du condensateur**

La lumière des bobines du condensateur s'allume tous les 3 mois afin de rappeler qu'il faut nettoyer les bobines du condensateur. La lumière s'éteint automatiquement après 72 heures.

- Pour désactiver la lumière du nettoyage des bobines du condensateur avant la remise à zéro automatique, appuyer sur la touche « ALARM OFF ».

# Liste de contrôle d'installation

---

Cette liste de contrôle d'installation est présentée pour usage personnel seulement.

## Propriétaire    Installateur

### Portes

Les portes sont alignées les unes sur les autres. (Après avoir placé de la nourriture dans le réfrigérateur, le propriétaire devrait vérifier l'alignement des portes.)

Les portes sont bien scellées au meuble du réfrigérateur.

Les poignées sont solidement fixées aux portes.

### Modèles avec distributeur Ice 'N' Water™ et modèles électroniques Touchmatic™

Si l'installation du réfrigérateur nécessite l'enlèvement des portes, les serre-fils des charnières supérieures sont branchés de nouveau.

### Mise à niveau

Le réfrigérateur est stable.

La grille est bien fixée au réfrigérateur.

### Appareil à glaçons

L'alimentation en eau du réfrigérateur fonctionne.

Aucune fuite n'est présente dans le raccord entre l'alimentation en eau de la maison et le réfrigérateur. (Après 24 heures, le propriétaire doit vérifier qu'il n'y a pas de fuite dans le raccord.)

Le bras de l'appareil à glaçons est en position « on » (marche). Celui-ci est donc prêt à fabriquer des glaçons. (La fabrication du premier lot de glace peut prendre jusqu'à 24 heures.)

### Documentation concernant le produit

Le manuel du propriétaire doit comprendre les renseignements suivants :

- carte d'enregistrement de l'appareil
- commandes réfrigérateur et congélateur
- système Chiller Fresh™
- bacs à légumes Garden Fresh™
- bruits de fonctionnement normaux

### Filtre à eau (certains modèles)

- La cartouche à déviation est retirée et le filtre à eau est installé

- Les fuites d'eau ne sont pas présentes autour de la tête du filtre

Notes \_\_\_\_\_

\_\_\_\_\_

\_\_\_\_\_

\_\_\_\_\_

Signature  
du propriétaire

Signature  
de l'installateur

Nom de l'entreprise de l'installateur/  
Numéro de téléphone

Date

# Caractéristiques du réfrigérateur



## Attention

Pour éviter tous dégâts matériels, s'assurer que la clayette est bien installée avant de placer des articles sur celle-ci.

## Clayettes du réfrigérateur

Les modèles comportent des clayettes en métal ou en verre qui s'ajustent vers le haut ou le bas pour satisfaire aux besoins individuels de rangement. Certains modèles sont équipés de clayettes Spillsaver™. Celles-ci sont conçues pour retenir les liquides renversés afin de faciliter le nettoyage.

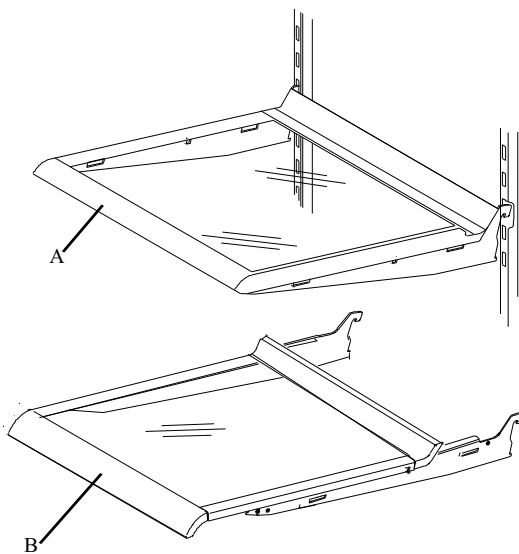


## Attention

Pour éviter tous dégâts matériels ou toutes blessures, manipuler les clayettes en verre trempé avec soin. Les clayettes peuvent se casser soudainement si elles sont entaillées, égratignées ou exposées à un changement soudain de température.

- Enlever les clayettes en soulevant le devant et en relâchant les crochets de la crémaillère métallique, puis en tirant.
- Replacer les clayettes en insérant les crochets dans la crémaillère métallique et en rabaisant le devant.

Les clayettes EasyGlide™ se tirent vers l'avant pour permettre un accès facile aux articles rangés à l'arrière.



- A. Clayette Spillsaver™
- B. Clayette Easy Glide™

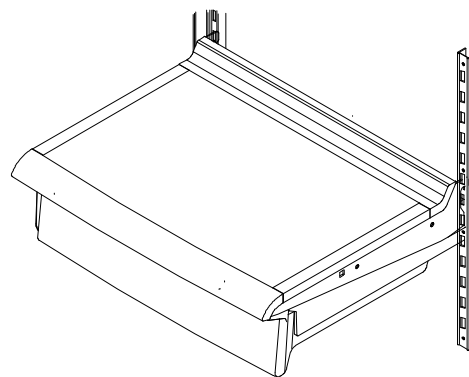
Clayettes

## Système Chiller Fresh™ (sur certains modèles)

Le système Chiller Fresh™ se compose d'un tiroir entouré d'un manchon. De l'air circule entre le tiroir et le manchon, gardant ainsi les aliments frais plus longtemps et à une température jusqu'à 5 °F (3 °C) plus froide que dans le reste du compartiment réfrigérateur.

Localiser, sous les moulures avant de la clayette, le réglage Chiller Fresh™ permettant de moduler la circulation de l'air du compartiment congélateur entre le tiroir et le manchon. Faire coulisser le thermostat sur « cold » (froid) pour obtenir une température similaire à celle du compartiment réfrigérateur et sur « coldest » (le plus froid) pour une température plus froide. Des cristaux de glace peuvent se former dans le tiroir sur le réglage « coldest ». L'air froid qui circule autour du tiroir peut légèrement faire baisser la température du compartiment réfrigérateur, dont le thermostat peut devoir être modifié.

- Pour enlever le tiroir, le soulever et tirer. Pour enlever la clayette, en soulever l'avant et dégager les crochets de la crémaillère métallique, puis tirer vers soi.
- Pour remettre la clayette en place, insérer les crochets sur la crémaillère métallique et abaisser l'avant. Utiliser les encoches entre la 8° et la 11° incluses. Pour remettre le tiroir, le faire glisser en place. Vérifier que la gaine est bien ajustée sur l'arrivée d'air sur la paroi latérale.



Système Chiller Fresh

## Tiroir à Charcuterie (Certains modèles)

- Retirez le tiroir en le soulevant et en tirant sur celui-ci. Retirez l'étagère en soulevant le devant de celle-ci, en dégageant les crochets des rails métalliques puis en tirant.
- Remplace l'étagère en insérant les crochets dans les rails métalliques et en abaissant le devant. Remettez le tiroir en place en le faisant glisser vers l'avant.

## Bacs à légumes Garden Fresh™

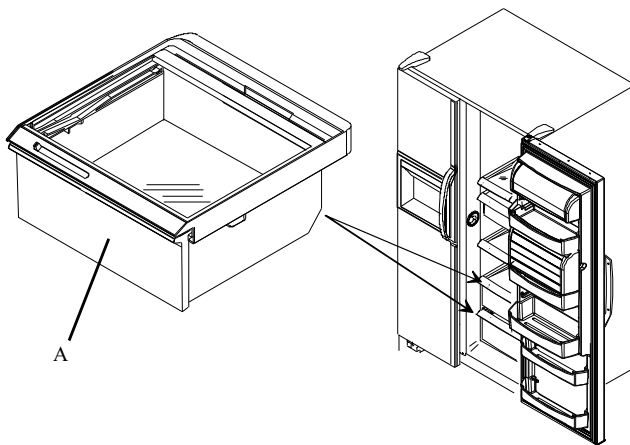
Les bacs à légumes Garden Fresh™ permettent de conserver la fraîcheur des aliments plus longtemps. Envelopper les aliments hermétiquement. Ne pas les laver avant de les placer dans les bacs. L'humidité excessive peut gâter les aliments prématurément. Ne pas étendre d'essuie-tout dans les tiroirs, car ce type de papier retient l'humidité.

La commande du bac à légumes Garden Fresh™ est située sous les moulures avant. La commande règle le taux d'humidité des bacs. La mettre sur « high » (élevé) pour les aliments feuillus tels que la laitue, les épinards ou le chou. La mettre sur « low » (faible) pour les aliments à peau tels que le chou-fleur, le maïs ou les tomates.



### Attention

Pour éviter tous dégâts matériels ou toutes blessures graves, manipuler les clayettes en verre trempé avec soin. Les clayettes peuvent se casser soudainement si elles sont entaillées, égratignées ou exposées à un changement soudain de température.



A. Tiroir du bac à légumes  
Bac à légumes Garden Fresh™

Enlever les bacs à légumes Garden Fresh™ en procédant de la façon suivante :

1. Retirer le bac à légumes en soulevant la partie avant, puis tirer vers soi.
2. Retirer la clayette en la soulevant doucement par en dessous. Incliner une extrémité en haut et tirer vers soi.
3. Replacer les bacs à légumes et la clayette en procédant à l'inverse des étapes 1 et 2.

## Rayon de rangement (certains modèles)

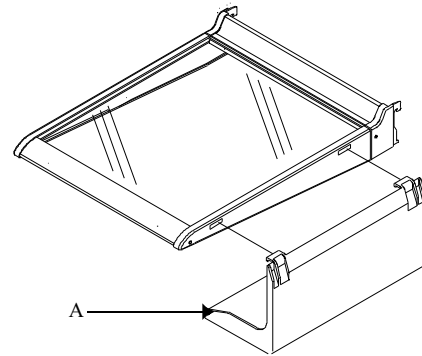
Le rayon de rangement permet de ranger facilement des articles tels qu'une grosse bouteille, des oeufs, etc.

Selon l'emplacement de la clayette, suspendre le rayon en suivant l'une des méthodes suivantes. Le rayon ne peut être installé à côté de l'ampoule électrique du compartiment réfrigérateur.

- Enlever la clayette en soulevant la partie avant et en relâchant les crochets de la crémaillère métallique, puis en tirant vers soi. Suspendre le rayon en insérant les attaches dans les ouvertures prévues à cet effet sur le côté de la clayette. Replacer celle-ci en insérant les crochets dans la crémaillère métallique et en abaissant la partie avant.

ou

- Faire glisser le rayon le long de la clayette jusqu'à ce que les attaches soient insérées dans les ouvertures.

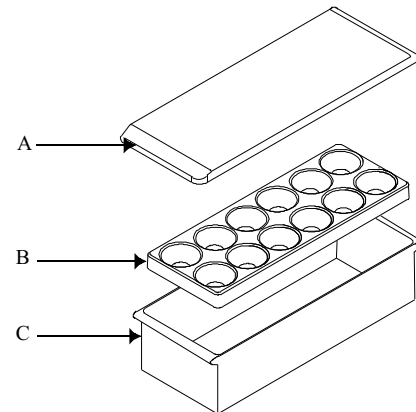


A. Rayon de rangement  
Rayon de rangement

## Compartiment de rangement couvert

(certains modèles)

Le compartiment de rangement possède un couvercle et un oeufrier amovible. Lorsque l'oeufrier est enlevé, le compartiment peut contenir des articles tels qu'un carton d'oeufs standard, des glaçons, etc.



A. Couvercle  
B. Oeufrier  
C. Compartiment de rangement

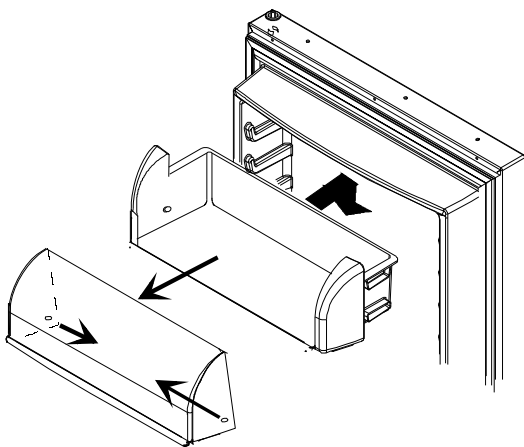
Compartiment de rangement

### Casier laitier (certains modèles)

Le casier laitier offre un espace de rangement pour des articles tels que le beurre, le fromage, etc.

Le casier laitier est réglable pour satisfaire aux besoins de rangement. Le casier laitier peut aussi être retiré à des fins de nettoyage. Pour retirer le casier laitier, procéder comme suit:

- Retirer le couvercle du casier laitier en l'ouvrant. Pousser le couvercle vers l'intérieur à des points de pivot et tirer le couvercle. Soulever le casier laitier vers le haut et le tirer pour l'enlever.
- Replacer le casier laitier en inversant la procédure.

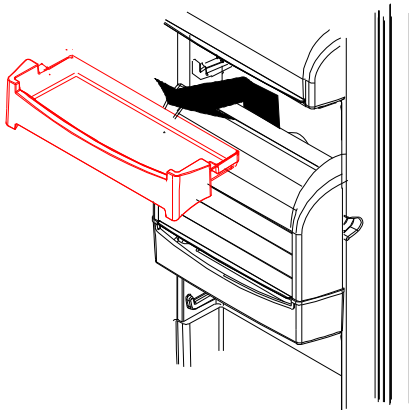


Casier laitier

### Refroidisseur de casse-croûte (certains modèles)

Le refroidisseur de casse-croûte offre un espace de rangement pratique pour les petits articles et les casse-croûte.

Pour retirer le refroidisseur de casse-croûte, le soulever et tirer. Replacer le refroidisseur de casse-croûte en le faisant glisser dans la crémaillère du support et en poussant en place.

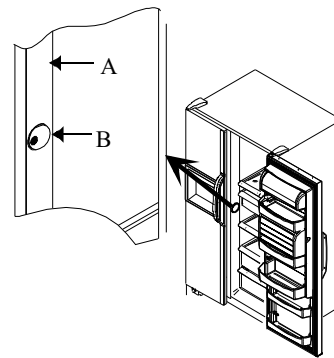


Refroidisseur de casse-croûte

### Refroidisseur de boissons à température contrôlée (certains modèles)

Le refroidisseur de boissons à température contrôlée garde les boissons jusqu'à 5 °F (3 °C) plus froides que le compartiment réfrigérateur. L'entrée d'air permet à l'air du compartiment congélateur de circuler dans le refroidisseur de boissons. L'entrée d'air est située dans la paroi intérieure de la porte du compartiment réfrigérateur.

Le refroidisseur de boissons est situé sur la paroi avant gauche du compartiment réfrigérateur. La commande règle la quantité d'air circulant dans le refroidisseur de boissons. Tourner la commande sur « cold\* » (froid) pour obtenir la température normale du compartiment réfrigérateur et sur « colder\*\* » (plus froid) pour une température plus froide.



- A. Paroi avant gauche du compartiment réfrigérateur
- B. Commande de température

Illustration de la commande Beverage Chiller™

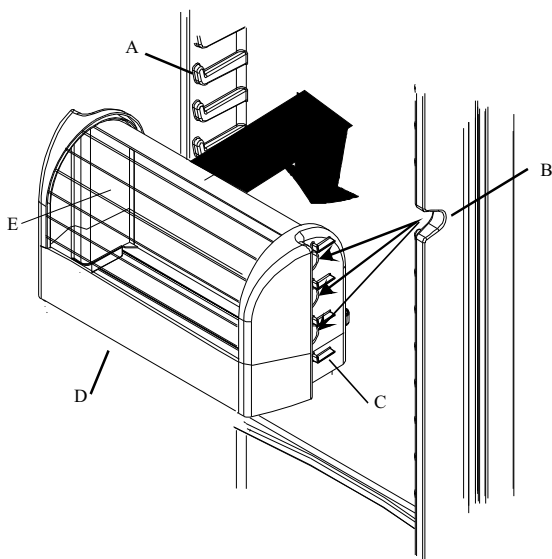
La position du refroidisseur de boissons se règle pour satisfaire aux besoins de rangement. Le refroidisseur de boissons peut aussi être retiré pour le nettoyage. Pour retirer le refroidisseur de boissons, procéder comme suit:

- Saisir le refroidisseur de boissons en soulevant les côtés puis en tirant.
- Pour replacer, faire glisser le refroidisseur de boissons entre les crémaillères désirées dans la porte et pousser le refroidisseur de boissons en place.
- Si la crémaillère de la porte du refroidisseur de la porte est nettoyée, la crémaillère doit être lubrifiée avec de la gelée de pétrole pour assurer un fonctionnement adéquat de la porte.

#### Important

Pour un fonctionnement adéquat du refroidisseur de boissons, l'un des 3 orifices d'entrée d'air doit être aligné avec la coche dans la cannelure droite de la porte.





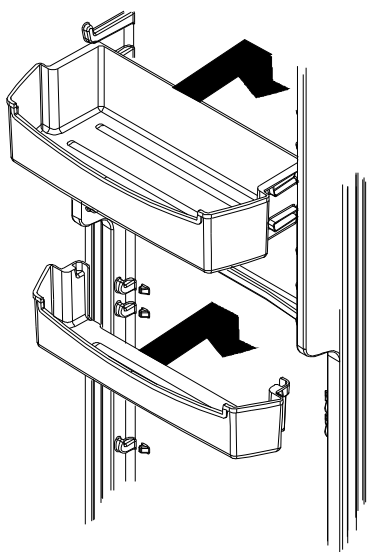
- A. Crémaillère de la porte
- B. La coche dans la cannelure de la porte doit être alignée avec l'un des orifices d'entrée d'air du refroidisseur de boissons.
- C. Rebord
- D. Beverage Chiller™
- E. Crémaillère de porte du refroidisseur de boissons

Refroidisseur de boissons

### Compartiments de porte et clayettes

Les compartiments de porte sont ajustables pour s'adapter aux besoins de rangement.

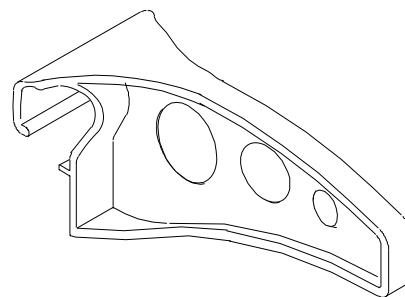
- Enlever les compartiments de porte en les poussant vers le haut et en tirant.
- Replacer les compartiments de porte en les faisant glisser jusqu'à ce que les attaches soient bien verrouillées.



Compartiments de porte

### Séparateur réglable (certains modèles)

Le séparateur réglable permet de garder les articles en place et d'adapter le réfrigérateur aux besoins individuels de rangement. Le séparateur convient à tout compartiment ou clayette de porte.



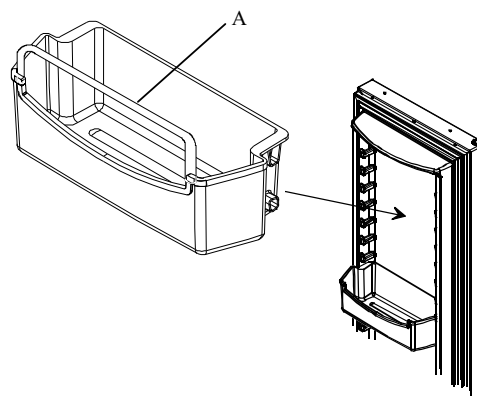
Séparateur réglable

### Conteneur de grands emballages (certains modèles)

Le conteneur de grands emballages permet de retenir solidement les grands articles. Il peut être installé dans tout compartiment ou clayette de porte et se règle à deux hauteurs différentes.

Pour l'installer le conteneur de grands emballages, l'insérer dans les trous de chaque côté du compartiment de porte ou au devant de la clayette.

- Pour régler plus haut, installer le conteneur de grands emballages en plaçant les boutons se trouvant sur le conteneur face à l'extérieur.
- Pour régler plus bas, installer le conteneur de grand emballages en plaçant les boutons se trouvant sur le conteneur face à l'intérieur. Les boutons glissent dans les trous du conteneur à l'intérieur du compartiment avant.



A. Conteneur de grands emballages

Installation du conteneur de grands emballages

# Caractéristiques du congélateur



## Attention

Pour éviter tous dégâts matériels, s'assurer que la clayette est bien fixée avant de replacer des articles sur celle-ci.



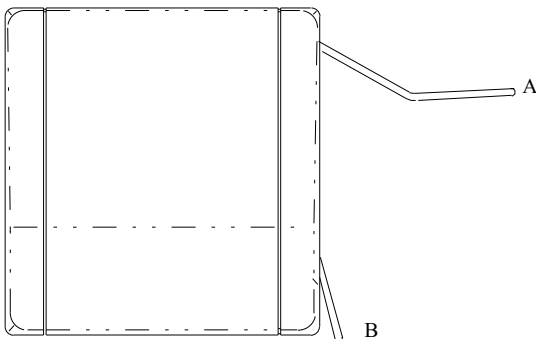
## Attention

Pour éviter d'endommager l'appareil à glaçons, observer les consignes suivantes:

- Ne pas forcer le bras de l'appareil à glaçons vers le haut ou vers le bas.
- Ne jamais ranger quoi que ce soit dans le seau à glace.

### Appareil à glaçons automatique (certains modèles)

- S'assurer que le seau est en place et que le bras de l'appareil est tourné vers le bas.



- A. Position « off » (arrêt)
- B. Position « on » (marche)

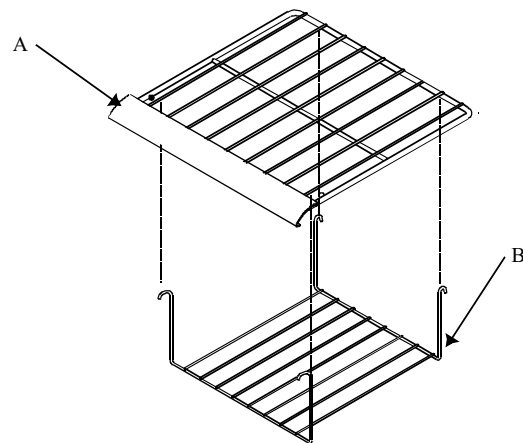
Fonctionnement de l'appareil à glaçons

- Après que le compartiment congélateur a atteint une température normale, l'appareil à glaçons se remplit d'eau et commence à fonctionner. Attendre 24 à 48 heures suite à l'installation avant que le premier lot de glaçons ne soit fabriqué. L'appareil à glaçons fabrique de 7 à 9 lots de glaçons durant une période de 24 heures dans des conditions idéales.
- Après que la glace s'est formée, l'appareil à glaçons laisse tomber les glaçons dans le seau à glace. Durant la fabrication des glaçons, le bras de l'appareil à glaçons se lève et s'abaisse. Lorsque le seau à glace est plein, le bras de l'appareil à glaçons arrête celui-ci. Jeter les trois premiers lots de glaçons suite au branchement du réfrigérateur à l'alimentation en eau domestique et après une période prolongée d'inutilisation.
- Soulever le bras de l'appareil à glaçons pour cesser la fabrication de glaçons. Un déclic se fait entendre lorsque la position correcte est atteinte. Le bras de l'appareil à glaçons demeure en position « off » (arrêt) jusqu'à ce qu'il soit poussé vers le bas.

### Rayon congélateur (certains modèles)

Le rayon congélateur retient les bacs à glaçons et offre un espace de rangement supplémentaire.

- Enlever le rayon congélateur en le soulevant et en poussant les crochets avant vers l'intérieur pour les retirer de la clayette. Tirer l'avant du rayon vers le bas. Pousser les crochets vers l'intérieur pour retirer les crochets arrière de la clayette. Faire glisser le rayon hors de la clayette.
- Replacer le rayon congélateur en poussant les crochets arrière vers l'intérieur et en plaçant les crochets par-dessus la clayette. Pousser les crochets avant vers l'intérieur et placer les crochets par-dessus la clayette.



- A. Clayette du congélateur
- B. Rayon congélateur Deepfreeze®

Installation du rayon congélateur

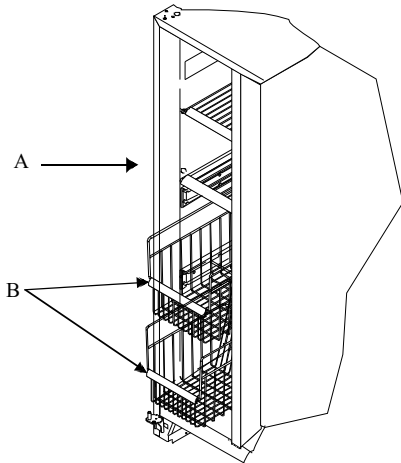
### Système Stor-Mor®

Les paniers métalliques peuvent coulisser vers l'avant pour faciliter l'accès aux articles rangés à l'arrière et peuvent être réglés de façon à satisfaire aux besoins individuels de rangement.

- Retirer les paniers en les soulevant et en tirant vers soi. Replacer les paniers en les installant sur les crémaillères latérales. Les faire glisser en ligne droite et vers l'arrière jusqu'à ce que le bouton rond soit derrière l'arrêt de la crémaillère.

# Distributeur Ice 'N' Water™ (certains modèles)

- Retirer la clayette en la soulevant du côté droit hors des attaches et en la tirant du côté gauche des trous de fixation. Inverser la procédure pour installer de nouveau la clayette.



A. Clayette métallique      B. Paniers métalliques  
Paniers et clayette du congélateur

## Attention

- Pour éviter tous dommages matériels ou blessures, procéder comme suit:
- Ne pas faire fonctionner le distributeur avec la porte du compartiment congélateur ouverte.
  - Ne pas mettre les doigts, les mains ou un objet quelconque dans l'ouverture du distributeur.
  - Ne pas utiliser d'objets pointus pour casser la glace.

### Fonctionnement du distributeur d'eau

Allouer approximativement une minute après le raccordement du réfrigérateur à l'alimentation en eau avant que le distributeur d'eau se mette en marche. Jeter les 10 à 14 premiers récipients d'eau tirés après le raccordement du réfrigérateur à l'alimentation en eau ou lorsque le distributeur n'a pas fonctionné pendant un certain temps.

- Pour prendre de l'eau, pousser avec un récipient résistant à large ouverture sur le mécanisme.
- Pour fermer l'eau, cesser de pousser sur le mécanisme. Il se peut que l'eau continue de couler un peu. Le trop-plein n'a pas d'évacuation et si une quantité excessive d'eau s'y trouve renversée, il faut l'éponger et essuyer le trop-plein.

### Fonctionnement du distributeur de glaçons

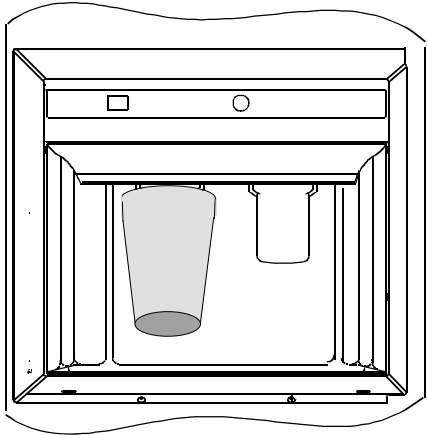
## Attention

Pour éviter tous dommages matériels, ne pas mettre de glace directement dans des articles en verre, porcelaine ou cristal délicat.

- Sélectionner le mode glaçons ou glace pilée à l'aide du levier du distributeur. Pour prendre des glaçons, pousser avec un récipient à large ouverture sur le mécanisme.

### Important

Tenir le récipient directement sous l'ouverture de l'appareil et aussi haut que possible pour éviter que les morceaux de glaçons n'éclaboussent.



Placement d'un verre dans le distributeur

- Pour arrêter la production de glace, cesser de pousser sur le mécanisme avant que le récipient ne soit plein. Un peu de glace va continuer à tomber. Ne pas retirer le récipient avant que la glace ait cessé de tomber.

Si de la glace est produite de façon continue, le moteur du distributeur s'arrête au bout de trois à cinq minutes. Il se remet en état de marche au bout de trois minutes et la production de glace peut recommencer.

Lorsqu'on passe du mode glaçons au mode glace pilée, l'appareil ne fonctionne pas immédiatement dans ce nouveau mode et les morceaux de glace pilée sont de tailles et formes différentes. De la « neige » peut se former sur la porte et sur l'ouverture du distributeur lors de la production répétée de glace pilée. Laisser cette « neige » s'évaporer ou l'essuyer.

Le distributeur fonctionne uniquement avec des glaçons de la taille et de la forme (en croissant) appropriée. Ne pas ajouter de glaçons du commerce ou autres.

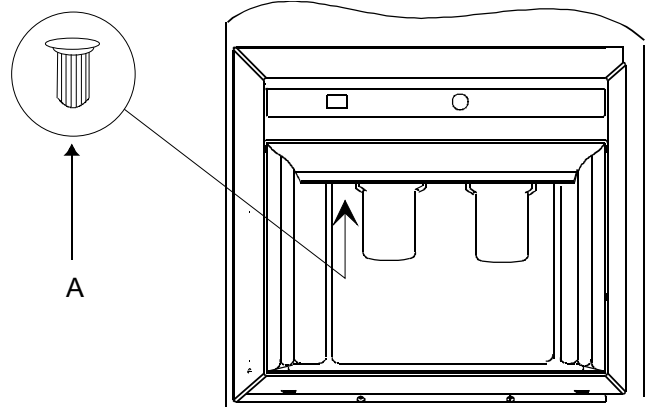
### Retrait du bac à glace

- Pour retirer le bac à glace, le soulever et tirer vers l'avant.
- Pour remettre le bac à glace en place, le faire glisser jusqu'à ce qu'il s'enclenche en place afin que le distributeur de glace fonctionne correctement. Si la porte du compartiment congélateur ne ferme pas, le bac n'est pas au bon endroit.

### Éclairage du distributeur (certains modèles)

Lorsqu'on prend de l'eau ou de la glace, une lumière s'allume au niveau du distributeur. Certains modèles comportent une lumière de nuit.

- Pour activer la lumière de nuit, appuyer sur l'interrupteur situé sous le distributeur et à gauche du mécanisme.



A. Interrupteur de la lumière de nuit

Emplacement de la lumière du distributeur

### Goût et odeur

Procéder comme suit pour réduire au minimum les problèmes de goût et d'odeur :

- Placer la nourriture dans des récipients ou des sacs étanches et hermétiquement fermés.
- Contacter une société de traitement des eaux locales pour vous assurer l'assistance de spécialistes si vos difficultés persistent.
- Si le réfrigérateur est doté d'un filtre à eau, remplacer la cartouche du filtre à eau. Voir les *Instructions d'installation et de fonctionnement du système de filtration de l'eau* pour connaître la procédure de remplacement.

# Entretien et nettoyage



## MISE EN GARDE

Pour éviter tout risque d'électrocution qui pourrait causer des blessures graves, voire mortelles, débrancher le courant du réfrigérateur avant de procéder au nettoyage. Après le nettoyage, brancher de nouveau le courant.



## Attention

Pour éviter tous dégâts matériels ou toutes blessures corporelles, lire et suivre toutes les directives du fabricant des produits de nettoyage de l'appareil.

### Général

1. Nettoyer les surfaces avec 4 c. à table de bicarbonate de soude dissout dans un litre d'eau tiède et un linge doux et propre.
2. Rincer les surfaces à l'eau tiède et les essuyer avec un linge doux et propre.
  - Ne pas utiliser les articles suivants :
    - produits nettoyants abrasifs ou décapants, ammoniacs, javellisants, etc.
    - détergents ou solvants concentrés
    - tampons à recurer métalliques

Ces articles peuvent égratigner, craqueler ou décolorer les surfaces.

  - Ne pas placer les bacs, clayettes, etc. dans le lave-vaisselle

### Suppression des odeurs

1. Enlever toute la nourriture et débrancher le courant du réfrigérateur.
2. Nettoyer toutes les surfaces intérieures, notamment la partie supérieure, la partie inférieure et les parois conformément aux instructions générales. Porter une attention spéciale aux coins, fissures et rainures, de même qu'aux tiroirs, clayettes et joints.
3. Brancher le courant du réfrigérateur et y replacer la nourriture. Nettoyer et essuyer toutes les bouteilles, tous les contenants et les pots. Emballer la nourriture dans des contenants scellés hermétiquement afin de prévenir l'émanation d'odeurs. Après 24 heures, vérifier si l'odeur persiste.

Si l'odeur persiste, procéder de la façon suivante :

4. Recommencer les étapes 1 et 2.
5. Placer les bacs à légumes Garden Fresh sur la clayette supérieure du compartiment réfrigérateur. Recouvrir les compartiments réfrigérateur et congélateur, y compris les portes, avec des feuilles de papier journal noir et blanc chiffonnées.

6. Disposer les briquettes de charbon de bois un peu partout sur le papier journal.
7. Fermer les portes et laisser en place durant 24 à 48 heures.
8. Enlever les briquettes de charbon de bois et les journaux.
9. Recommencer les étapes 2 et 3.

Contactez le service à la clientèle si l'odeur persiste. Voir la section "Identification du modèle" pour connaître le numéro de téléphone.

### Adhésifs

1. Enlever les résidus de colle en frottant l'adhésif avec du dentifrice jusqu'à ce que celui-ci se décolle.
2. Rincer la surface à l'eau tiède. L'essuyer avec un linge doux et propre.

### Joints de porte

1. Nettoyer les joints de porte tous les 3 mois conformément aux instructions générales.
2. Appliquer une mince couche de gelée de pétrole sur le côté charnière du joint d'étanchéité de la porte pour maintenir la flexibilité des joints.

### Bobines de condensateur

Nettoyer la bobine de condensateur tous les 3 mois afin d'assurer un rendement maximum du réfrigérateur. La poussière accumulée et les peluches peuvent entraîner les problèmes suivants:

- refroidissement moins efficace
  - consommation d'énergie plus élevée
  - défaillance prématurée du compresseur
1. Enlever la grille en tenant les extrémités et en tirant vers l'avant.
  2. Nettoyer la surface avant de la bobine du condensateur avec le suceur d'un boyau d'aspirateur.
  3. Replacer la grille en insérant les attaches dans les trous et en les mettant en place avec un claquement.



## Attention

Pour éviter tous dégâts matériels, recouvrir les tuiles de vinyle ou autre type de plancher avec du carton, des tapis ou autre matériel de protection avant de déplacer le réfrigérateur.

4. Tirer le réfrigérateur loin du mur. Passer l'aspirateur sur la grille de sortie d'aération du condensateur à l'arrière du réfrigérateur.

## Clayettes en verre

### Attention

Pour éviter tous dégâts matériels ou toutes blessures corporelles, manipuler les clayettes en verre trempé avec soin. Celles-ci peuvent casser soudainement si elles sont entaillées, égratignées ou exposées à un changement soudain de température.

Enlever la clayette en soulevant le devant, en relâchant les crochets de la crémaillère en métal, puis en tirant. Placer la clayette sur une serviette. La laisser s'adapter à la température ambiante avant de procéder au nettoyage.

Nettoyer les fentes en suivant ces étapes :

1. Diluer un détergent doux et appliquer la solution à l'intérieur des fentes en brossant celles-ci à l'aide d'une brosse à poils en plastique. Laisser pénétrer durant 5 minutes.
2. Vaporiser de l'eau tiède à l'intérieur des fentes à l'aide d'un vaporisateur conçu à cet effet.
3. Bien essuyer la clayette et replacer celle-ci en insérant les crochets dans la crémaillère en métal et en rabaisant le devant.

## Ampoules électriques

### MISE EN GARDE

Pour éviter tout risque d'électrocution pouvant causer des blessures graves, voire mortelles, débrancher le courant du réfrigérateur avant de replacer l'ampoule. Après avoir replacé l'ampoule, brancher de nouveau le courant.

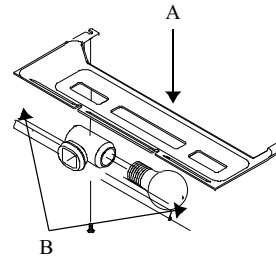
### Attention

Pour éviter toutes blessures corporelles ou tous dégâts matériels, veuillez observer les consignes suivantes:

- Laisser l'ampoule refroidir.
- Porter des gants durant le remplacement de l'ampoule électrique.

## Partie supérieure du compartiment réfrigérateur

- Retirer le couvre-ampoule en enlevant les écrous hexagonaux de ¼ po. Remplacer l'ampoule par une autre de 40 watts conçue pour les appareils électroménagers.
- Remettre le couvre-ampoule en place en revissant les écrous hexagonaux de ¼ po.



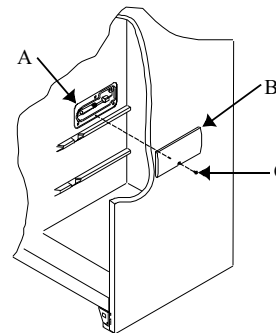
A. Couvre-ampoule      B. Ampoule électrique

Retrait de l'ampoule du compartiment réfrigérateur supérieur

## Partie inférieure du compartiment réfrigérateur

(certains modèles)

- Retirer le couvre-ampoule en enlevant la vis. Remplacer l'ampoule par une autre de type tubulaire de 40 watts.
- Remettre le couvre-ampoule en l'installant par-dessus l'ampoule. Insérer une vis et la serrer.

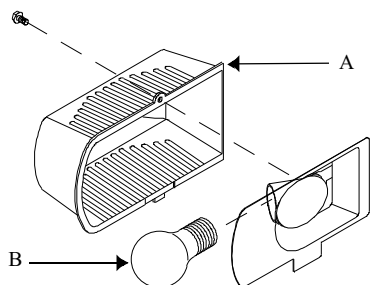


A. Ampoule électrique      B. Couvre-ampoule  
C. Vis

Retrait de l'ampoule du compartiment réfrigérateur inférieur

## Compartiment congélateur

1. Enlever le bac à glace. Pour cela, le soulever et le tirer vers l'avant.
2. Retirer le couvre-ampoule en enlevant la vis. Remplacer l'ampoule par une autre de 40 watts.
3. Remettre le couvre-ampoule en le tenant en place au-dessus de l'ampoule. Insérer une vis et la serrer.
4. Pour replacer le bac à glace, le faire glisser à l'intérieur jusqu'à ce qu'il soit bien en place.



A. Couvre-ampoule      B. Ampoule électrique

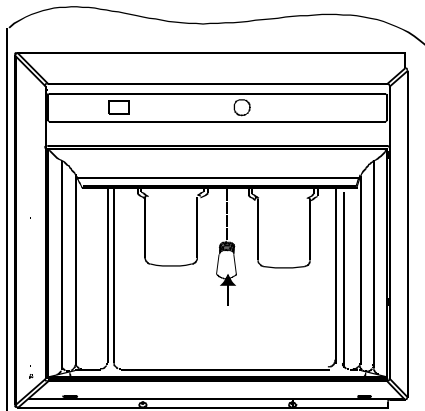
---

Retrait de l'ampoule du compartiment congélateur

**Distributeur Ice 'N' Water™** (certains modèles)

L'ampoule se trouve entre les bras du distributeur.

- La dévisser et remplacer par une ampoule de 6 W et 120 V.
- Pour remplacer l'ampoule, insérer et serrer la nouvelle ampoule.



---

Remplacement de l'ampoule électrique du distributeur

# Bruits de fonctionnement normaux

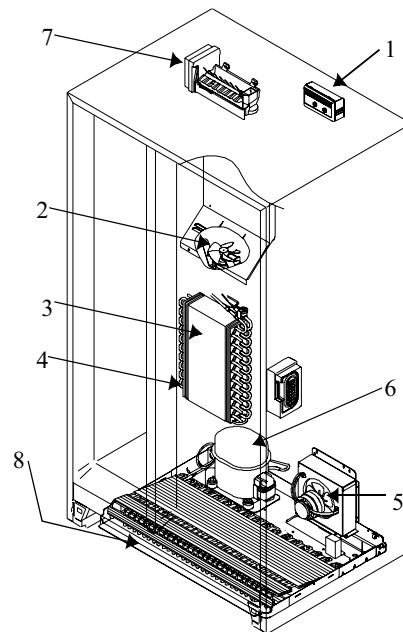
Ce nouveau réfrigérateur remplace probablement un réfrigérateur conçu de façon différente, plus petit ou moins efficace. Les réfrigérateurs modernes possèdent de nouvelles caractéristiques et utilisent l'énergie de façon plus efficace. Par conséquent, certains bruits ne seront pas familiers mais le deviendront bientôt car ils sont normaux. Ces bruits indiquent également que le réfrigérateur fonctionne bien et offre le rendement attendu.

1. **La commande congélateur** émet un déclic lorsque le compresseur se met en marche ou s'arrête.
2. **Le ventilateur du congélateur** ronronne ou propulse l'air.
3. Le flux de réfrigérant du **système hermétique** (évaporateur et échangeur de chaleur) gargouille, éclate ou émet le son de l'eau qui bout.
4. **Le dégivreur** grésille, siffle ou éclate.
5. **Le ventilateur du condensateur** ronronne ou propulse l'air.
6. **Le compresseur** émet un son aigu ou un vrombissement.
7. **Les glaçons** fabriqués par l'appareil à glaçons (sur certains modèles) tombent dans leseau à glace.
8. **La chaufferette du dégivreur** grésille, siffle ou émet un bruit sec.

**Le broyeur à glaçons** (sur les modèles comprenant un distributeur Ice 'N' Water™) émet un vrombissement lorsqu'il agite la glace pendant la distribution. Il est situé dans la porte du compartiment congélateur (non illustré).

**Le raccord de la soupape d'eau de l'appareil à glaçons** (sur certains modèles) bourdonne lorsque l'appareil à glaçons se remplit d'eau. Cela se produit que le réfrigérateur soit branché ou non à l'alimentation en eau. S'il n'est pas branché, le bruit s'arrêtera lorsque le bras de l'appareil à glaçons est soulevé en position arrêt. Le raccord de la soupape d'eau est situé à l'arrière, dans le coin inférieur gauche (non illustré).

L'isolant mousse permet d'économiser une grande quantité d'énergie et possède d'excellentes qualités isolantes. Cependant, il n'est pas aussi capable d'amortir le bruit que l'isolant en fibre de verre utilisé auparavant (non illustré).



Emplacement du bruit

## Avant d'appeler le technicien

Le réfrigérateur ne fonctionne pas.

- S'assurer que la commande congélateur est en position « on » (marche).
- S'assurer que le réfrigérateur est branché.
- Vérifier le fusible ou le disjoncteur. Brancher un autre appareil dans la prise de courant.
- Attendre 40 minutes pour vérifier si le réfrigérateur se remet en marche. Si la commande congélateur est en marche, et que les lumières fonctionnent, mais que les 2 ventilateurs et le compresseur ne fonctionnent pas, le réfrigérateur est probablement en cycle de dégivrage.

Le réfrigérateur ne fonctionne toujours pas.

- Débrancher le réfrigérateur. Transférer la nourriture dans un autre réfrigérateur ou verser de la neige carbonique dans le compartiment congélateur pour conserver les aliments. **La garantie ne couvre pas la perte de nourriture.** Consulter le certificat de garantie pour connaître la couverture applicable.
- Appeler le **1-800-628-5782** à partir des États-Unis et le **1-319-622-5511** à l'extérieur des États-Unis pour connaître le technicien agréé par Amana le plus proche.

La température de la nourriture semble trop élevée.

- Voir les sections précédentes.
- Laisser la nourriture récemment placée dans le réfrigérateur atteindre la température des compartiments réfrigérateur ou congélateur.
- Vérifier si les joints sont hermétiques.
- Nettoyer les bobines de condensateur.



- Régler la commande réfrigérateur et/ou congélateur.
- S'assurer que la grille d'aération arrière n'est pas bloquée. Celle-ci est située à gauche derrière le bac à légumes.

La température du système Chiller Fresh™ est trop chaude.

- Régler la commande sur une position plus froide.
- Régler la commande congélateur sur une position plus froide.

La température de la nourriture est trop froide.

- Nettoyer les bobines du condensateur.
- Régler la commande réfrigérateur.
- Régler la commande congélateur sur une température plus chaude. Attendre plusieurs heures afin que la température atteigne le niveau désiré.
- L'un des 3 orifices d'entrée d'air du refroidisseur de boissons n'est pas aligné avec la coche du côté droit de la cannelure de la porte.

Le réfrigérateur fonctionne trop souvent.

- Cela peut être normal afin de maintenir une température constante.
- Les portes ont peut-être été ouvertes trop fréquemment ou durant une période de temps prolongée.
- Laisser la nourriture récemment placée dans le réfrigérateur atteindre la température des compartiments réfrigérateur ou congélateur.
- Nettoyer les bobines de condensateur.
- Régler la commande congélateur.
- Vérifier si les joints sont hermétiques.

Des gouttelettes d'eau se forment à l'intérieur du réfrigérateur.

- Cela est normal durant les périodes d'humidité intense ou si les portes ont été ouvertes fréquemment.

Des gouttelettes d'eau se forment à l'extérieur du réfrigérateur.

- Vérifier si les joints de la porte sont fermés hermétiquement.

Les bacs à légumes Garden Fresh™ ou le système Chiller Fresh™ ne se ferment pas facilement.

- Vérifier si un emballage empêche le tiroir de fermer correctement.
- S'assurer que le tiroir est en place.
- Nettoyer les cannelures du tiroir avec de l'eau tiède savonneuse. Rincer et sécher à fond.
- Appliquer une mince couche de gelée de pétrole dans les cannelures du tiroir.
- S'assurer que le réfrigérateur est de niveau.

Une odeur persiste dans le réfrigérateur.

- Voir les instructions "Suppression des odeurs" dans la section "Entretien et nettoyage".

Le réfrigérateur ou l'appareil à glaçons émet des sons peu familiers ou trop bruyants.

- Cela peut être normal. Voir la section "Bruits de fonctionnement normaux".

L'appareil à glaçons ne fabrique pas de glaçons.

- S'assurer que le bras de l'appareil à glaçons est tourné vers le bas.
- S'assurer que l'alimentation en eau domestique atteint la soupape d'eau.
- S'assurer que le faisceau de l'appareil à glaçons est complètement inséré dans les trous appropriés.
- Vérifier si le tuyau de plastique ou de cuivre comporte des entortillements. Les défaire ou remplacer le tuyau.
- Examiner les raccords électriques de la bobine de soupape d'eau et du bloc de raccordement sur le meuble du réfrigérateur.
- S'assurer que la section congélateur fonctionne à la température appropriée.

Les glaçons dégagent une odeur.

- Voir les instructions "Suppression des odeurs" dans la section "Nettoyage et entretien".
- Jeter les glaçons et nettoyer le seau à glace ou les bacs à glaçons plus fréquemment. Les glaçons sont poreux et absorbent les odeurs facilement.

Les glaçons collent les uns aux autres ou "rétrécissent".

- Vider le seau à glace ou les bacs à glaçons plus fréquemment. Si on les laisse trop longtemps dans le congélateur, les glaçons collent les uns aux autres ou rétrécissent.

De la glace se forme dans le tuyau d'entrée de l'appareil à glaçons.

- Vérifier la pression d'eau. Une pression d'eau trop faible cause des fuites dans la soupape. Les soupapes autotaraudeuses font diminuer la pression d'eau.

**Amana recommande l'usage d'un tuyau en cuivre pour raccorder la tuyauterie domestique au réfrigérateur. Ne pas utiliser de soupape autotaraudeuse. Amana n'est pas responsable des dommages matériels causés par une installation inadéquate ou un raccordement d'eau défaillant.**

## Conseils pour économiser l'énergie

Cet appareil est conçu pour être l'un des réfrigérateurs les plus économiques en matière d'énergie sur le marché actuel. La mise en pratique des conseils suivants permet de réduire la consommation d'énergie.

- Faire fonctionner à la température ambiante normale se situant entre 55 et 110 °F (13 à 43 °C) loin des sources de chaleur et du soleil.
- Ne pas régler les commandes des systèmes réfrigérateur, congélateur et Chiller Fresh™ sur une température plus froide que nécessaire.
- Garder le compartiment congélateur toujours plein.
- Garder les joints de porte propres et flexibles. Remplacer les joints usés.
- Garder les bobines de condensateur propres.

# Conseils pour les vacances

Procéder de la façon suivante avant de partir en vacances pour une courte durée.

1. Enlever les aliments périssables. **La garantie ne couvre pas la perte de nourriture.** Consulter le certificat de garantie pour connaître la couverture applicable.
2. Si un appareil à glaçons est installé, placer le bras de l'appareil à glaçons vers le haut en position arrêt.

Procéder de la façon suivante avant de partir en vacances pour une longue durée.

1. Vider les compartiments réfrigérateur et congélateur.
2. Débrancher le réfrigérateur.
3. Nettoyer le réfrigérateur et les joints de porte conformément aux instructions générales énoncées dans la section "Entretien et nettoyage".
4. Laisser les portes ouvertes afin que l'air circule librement à l'intérieur.

5. Si un appareil à glaçons est installé, fermer l'alimentation en eau du réfrigérateur et déplacer le bras de l'appareil à glaçons vers le haut en position arrêt.

## Garantie (modèles électroniques)

La garantie s'applique uniquement aux modèles à commandes électroniques.

### Garantie complète d'un an

**Garantie complète de cinq ans sur les composants du système hermétique et sur l'habillage du compartiment pour la nourriture**  
**Garantie limitée de cinq ans sur les composants des commandes électroniques Garantie limitée de dix ans sur les composants du système hermétique**

#### Première année

Amana réparera ou remplacera, sans aucun frais, toute pièce s'avérant défectueuse en raison des matériaux ou de la main-d'oeuvre.

#### Deuxième à cinquième année incluse

Amana remplacera, sans aucun frais, tout composant du système hermétique (compresseur, condensateur, évaporateur et tuyau d'interconnexion) et réparera tout habillage du compartiment pour la nourriture (à l'exception de l'habillage de la porte) venant à être défectueux en raison des matériaux ou de la main-d'oeuvre.

#### Deuxième à cinquième année incluse

Amana fournira, sans aucun frais, une pièce de rechange, f.a.b. Amana, Iowa, pour tout composant de commande du système électronique (plaques de circuits imprimés à haute tension et basse tension, clavier sur les moulures supérieures) venant à être défectueux en raison des matériaux ou de la main-d'oeuvre.

#### Sixième à dixième année incluse

Amana fournira, sans aucun frais, une pièce de rechange, f.a.b. Amana, Iowa, pour tout composant du système hermétique (compresseur, condensateur, évaporateur et tuyau d'interconnexion) s'avérant défectueux en raison des matériaux ou de la main-d'oeuvre.

#### Limites de la garantie

- Commence à la date de l'achat original.
- S'applique à un appareil utilisé aux États-Unis ou au Canada si cet appareil est approuvé par l'Association canadienne de normalisation en quittant l'usine.
- Toute réparation doit être effectuée par un technicien **agréé** par Amana.
- Les dommages survenus pendant la manutention et l'expédition ne sont pas couverts par cette garantie.

#### La garantie est nulle et non avenue si

- La plaque du numéro de série est illisible.
- L'appareil est utilisé à des fins commerciales ou locatives.
- L'appareil est défectueux ou endommagé en raison d'un accident, d'une altération, d'un raccord à une mauvaise alimentation, d'un incendie, d'une inondation, d'un orage, de l'expédition et de la manipulation, ou d'autres circonstances indépendantes de la volonté d'Amana.
- L'appareil est utilisé ou installé de façon incorrecte.

#### Responsabilités du propriétaire

- Fournir une preuve d'achat (récépissé de vente).
- Procéder à l'entretien normal. Remplacer les composants tel qu'indiqué dans le manuel du propriétaire.
- Faciliter l'accès à l'appareil lors des réparations.
- Payer le supplément lorsque le technicien doit procéder à une réparation en dehors des heures d'ouverture normales.
- Payer les frais de visite relatifs à l'installation et à l'utilisation de l'appareil.

#### En aucun cas Amana n'est responsable des dommages indirects ou accessoires, notamment la perte de nourriture.

^ Cette garantie vous donne des droits légaux spécifiques et vous pourriez bénéficier d'autres droits qui varient selon l'état ou la province où vous demeurez. Par exemple, certains états ou provinces ne permettant pas l'exclusion ou la limitation des dommages indirects ou accessoires, cette exclusion ne s'applique pas forcément à votre cas.

# Garantie (modèles non électroniques)

La garantie s'applique aux modèles dont les deux premières lettres du numéro de modèle sont SR ou SB.

**Garantie complète d'un an**  
**Garantie complète de cinq ans sur les composants du système hermétique et l'habillage du compartiment pour la nourriture**  
**Garantie limitée de dix ans sur les composants du système hermétique**

## Première année

Amana réparera ou remplacera, sans aucun frais, toute pièce s'avérant défectueuse en raison des matériaux ou de la main-d'oeuvre.

## Deuxième à cinquième année incluse

Amana remplacera, sans aucun frais, tout composant du système hermétique (compresseur, condensateur, évaporateur et tuyau d'interconnexion) et réparera tout habillage du compartiment pour la nourriture (à l'exception de l'habillage de la porte) venant à être défectueux en raison des matériaux ou de la main-d'oeuvre.

## Sixième à dixième année

Amana fournira, sans aucun frais, une pièce de rechange, f.a.b. Amana, Iowa, pour tout composant du système hermétique (compresseur, condensateur, évaporateur et tuyau d'interconnexion) s'avérant défectueux en raison des matériaux ou de la main-d'oeuvre.

## Limites de la garantie

- Commence à la date de l'achat original.
- S'applique à un appareil utilisé aux États-Unis ou au Canada si cet appareil est approuvé par l'Association canadienne de normalisation en quittant l'usine.
- Toute réparation doit être effectuée par un technicien **agréé** par Amana.
- Les dommages survenus pendant la manutention et l'expédition ne sont pas couverts par cette garantie.

## La garantie est nulle et non avenue si

- La plaque du numéro de série est illisible.
- L'appareil est utilisé à des fins commerciales ou locatives.
- L'appareil est défectueux ou endommagé en raison d'un accident, d'une altération, d'un raccord à une mauvaise alimentation, d'un incendie, d'une inondation, d'un orage, de l'expédition et de la manipulation, ou d'autres circonstances indépendantes de la volonté d'Amana.
- L'appareil est utilisé ou installé de façon incorrecte.

## Responsabilités du propriétaire

- Fournir une preuve d'achat (récépissé de vente).
- Procéder à l'entretien normal. Remplacer les composants tel qu'indiqué dans le manuel du propriétaire.
- Faciliter l'accessibilité à l'appareil lors des réparations.
- Payer le supplément lorsque le technicien doit procéder à une réparation en dehors des heures d'ouverture normales.
- Payer les frais de visite relatifs à l'installation et à l'utilisation de l'appareil.

## En aucun cas Amana n'est responsable des dommages indirects ou accessoires, notamment la perte de nourriture\*.

\* Cette garantie vous donne des droits légaux spécifiques et vous pourriez bénéficier d'autres droits qui varient selon l'état ou la province où vous demeurez. Par exemple, certains états ou provinces ne permettant pas l'exclusion ou la limitation des dommages indirects ou accessoires, cette exclusion ne s'applique pas forcément à votre cas.

# Garantie

La garantie s'applique aux modèles dont les deux premières lettres du numéro de modèle sont SC, SQ ou SX.

**Garantie complète d'un an**  
**Garantie complète de cinq ans sur les composants du système hermétique et l'habillage du compartiment pour la nourriture**

## Première année

Amana réparera ou remplacera, sans aucun frais, toute pièce s'avérant défectueuse en raison des matériaux ou de la main-d'oeuvre.

## Deuxième à cinquième année incluse

Amana remplacera, sans aucun frais, tout composant du système hermétique (compresseur, condensateur, évaporateur et tuyau d'interconnexion) et réparera tout habillage du compartiment pour la nourriture (à l'exception de l'habillage de la porte) venant à être défectueux en raison des matériaux ou de la main-d'oeuvre.

## Limites de la garantie

- Commence à la date de l'achat original.
- S'applique à un appareil utilisé aux États-Unis ou au Canada si cet appareil est approuvé par l'Association canadienne de normalisation en quittant l'usine.
- Toute réparation doit être effectuée par un technicien **agréé** par Amana.

## La garantie est nulle et non avenue si

- La plaque du numéro de série est illisible.
- L'appareil est utilisé à des fins commerciales ou locatives.
- L'appareil est défectueux ou endommagé en raison d'un accident, d'une altération, d'un raccord à une mauvaise alimentation, d'un incendie, d'une inondation, d'un orage, de l'expédition et de la manipulation, ou d'autres circonstances indépendantes de la volonté d'Amana Refrigeration, Inc.
- L'appareil est utilisé ou installé de façon incorrecte.

## Responsabilités du propriétaire

- Fournir une preuve d'achat (récépissé de vente).
- Procéder à l'entretien normal. Remplacer les composants tel qu'indiqué dans le manuel du propriétaire.
- Faciliter l'accessibilité à l'appareil lors des réparations.
- Payer le supplément lorsque le technicien doit procéder à une réparation en dehors des heures d'ouverture normales.
- Payer les frais de visite relativement à l'installation ou usage de l'appareil.

## En aucun cas Amana n'est responsable des dommages indirects ou accessoires notamment la perte de nourriture\*.


\* Cette garantie vous donne des droits légaux spécifiques et vous pourriez bénéficier d'autres droits qui varient selon l'état ou la province où vous demeurez. Par exemple, certains états ou provinces ne permettant pas l'exclusion ou la limitation des dommages indirects ou accessoires, cette exclusion ne s'applique pas forcément à votre cas.



# Contenido

Requerimientos eléctricos .....	45	Sonidos normales de funcionamiento .....	63
Identificación del modelo .....	46	Antes de llamar para solicitar servicio .....	64
Servicio .....	46	Sugerencias para conservar energía .....	66
Plan de servicio extendido Asure™ .....	46	Sugerencias para cuando sale de vacaciones .....	66
Piezas y accesorios .....	46	Garantía (modelos electrónicos) .....	67
Forma apropiada de desechar el refrigerador .....	46	Garantía (Modelos que no son electrónicos) .....	68
Instrucciones para la instalación .....	47	Garantía .....	69
Controles .....	50		
Controles del refrigerador y del congelador (en modelos no electrónicos) .....	50		
Controles de ajuste .....	50		
Controles electrónicos Touchmatic™ (en algunos modelos) .....	51		
Lista de verificación de la instalación .....	53		
Características del refrigerador .....	54		
Repisas del refrigerador .....	54		
Sistema Chiller Fresh™ (en algunos modelos) ...	54		
Cajón para embutidos (en algunos modelos) .....	54		
Cajones para verduras Garden Fresh™ .....	54		
Parrilla para almacenamiento (en algunos modelos) .....	55		
Recipiente cubierto para almacenamiento (en algunos modelos) .....	55		
Central para productos lácteos .....	56		
Repisa para bocadoillos (en algunos modelos) .....	56		
Enfriador de temperatura controlada para bebidas Chiller™ (en algunos modelos) .....	56		
Repisas y compartimientos de la puerta .....	57		
Separador ajustable (en algunos modelos) .....	57		
Dispositivo de retención para paquetes altos (en algunos modelos) .....	57		
Características del congelador .....	58		
Máquina de hielo automática (en algunos modelos) .....	58		
Rejilla del congelador (en algunos modelos) .....	58		
Sistema Stor-Mor® .....	58		
Surtidor de agua y hielo Ice 'N' Water™ (en algunos modelos) .....	59		
Funcionamiento del surtidor de agua .....	59		
Funcionamiento del surtidor del hielo .....	59		
Para quitar el compartimiento del hielo .....	60		
Luz del surtidor (en algunos modelos) .....	60		
Sabor y olor .....	60		
Cuidado y limpieza .....	61		
Limpieza general .....	61		
Eliminación de olores .....	61		
Adhesivos .....	61		
Empaques de la puerta .....	61		
Serpentines del condensador .....	61		
Repisas de vidrio .....	62		
Focos .....	62		

## Requerimientos eléctricos

 **Reconozca este símbolo como precaución de seguridad**



### ADVERTENCIA

Para evitar descargas eléctricas que pueden causar lesiones personales graves o la muerte, este refrigerador debe estar conectado a tierra apropiadamente.

Instrucciones para conexión a tierra — Este refrigerador está equipado con un enchufe de tres puntas (para conexión a tierra) para proporcionar protección contra posibles riesgos de descargas eléctricas. Si tiene un tomacorriente de dos orificios, comuníquese con un electricista calificado para que reemplace este tomacorriente de pared de dos orificios por otro de tres orificios correctamente conectado a tierra, en conformidad con el Código Eléctrico Nacional.

Este refrigerador está diseñado para funcionar con una línea separada de 103 a 126 voltios, 15 amperios y 60 ciclos.

**No corte ni elimine, bajo ninguna circunstancia, la punta redonda de conexión a tierra del enchufe. El refrigerador siempre debe estar conectado a tierra. No quite el rótulo de advertencia del cordón eléctrico.**

**No use un adaptador de dos puntas. No use un cable de extensión eléctrica.**

**Pour plus d'informations, visiter notre site  
Web: [www.ama.com](http://www.ama.com)**

## Identificación del modelo

Gracias por su compra de este refrigerador Amana®. Sírvase leer este Manual del propietario completamente. Este manual le proporciona información de mantenimiento apropiada. Si tiene alguna pregunta llame al Departamento de Asuntos del Cliente al **1-800-843-0304** dentro de los EE.UU., y al **1-319-622-5511** fuera de los EE.UU.

**Complete la tarjeta de registro** y devuélvala enseguida. Si le falta esta tarjeta, llame al Departamento de Asuntos del Cliente. **Guarde una copia de su recibo de compra** como referencia futura.

Cuando se comunique con Amana, proporcione la información sobre el producto. Ésta información se encuentra en la placa de identificación del producto, y se ubica en (la esquina superior izquierda del techo) de la sección Fresh Food. Anote la siguiente información:

Número de modelo: \_\_\_\_\_

Número de fabricación: \_\_\_\_\_

Número de serie o N/S: \_\_\_\_\_

Fecha de compra: \_\_\_\_\_

Nombre y dirección del distribuidor: \_\_\_\_\_

## Servicio

**Guarde una copia del recibo de compra** como referencia futura o en caso de que necesite servicio de garantía. Si tiene alguna pregunta o para localizar a un técnico autorizado de servicio, llame al 1-800-NAT-LSVC (1-800-628-5782) dentro de los EE.UU. o al 319-622-5511 fuera de los EE.UU. Un técnico autorizado de servicio debe efectuar el servicio de garantía. Amana también recomienda que se comunique con un técnico autorizado si necesita servicio después de que caduque la garantía.

## Plan de servicio extendido Asure™

Amana ofrece un servicio de protección a largo plazo para esta nueva estufa. El Plan de servicio extendido Asure™ está diseñado especialmente para complementar la excelente garantía de Amana. Este plan cubre piezas, mano de obra y gastos de transportación. Llame al teléfono 1-800-528-2682 EE.UU. para solicitar más información.

## Piezas y accesorios

La compra de piezas de repuesto y accesorios adicionales (como repisas de refrigerador,) se puede hacer por teléfono. Si desea pedir accesorios para su producto Amana, llame al teléfono 1-800-843-0304 dentro de los EE.UU., o al 1-319-622-5511 fuera de los EE.UU.

## Forma apropiada de desechar el refrigerador

**IMPORTANTE: Los niños atrapados y asfixiados en refrigeradores no es cosa del pasado. Los refrigeradores que se arrumban o abandonan, aun cuando sea por “sólo unos cuantos días”, continúan siendo un peligro. Si desecha un refrigerador viejo, sírvase seguir las siguientes instrucciones para ayudar a prevenir un accidente.**

### ANTES DE TIRAR SU REFRIGERADOR O CONGELADOR VIEJO:

- **Quítele las puertas.**
- **Déjele las repisas puestas para que los niños no puedan meterse fácilmente.**



# Instrucciones para la instalación

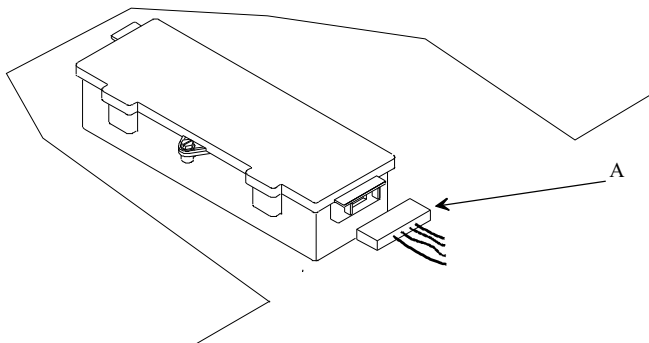
La instalación correcta asegurará que este refrigerador funcione más eficazmente. Amana no puede responsabilizarse por una instalación incorrecta.

## 1. Quite las puertas si es necesario.

### **ADVERTENCIA**

Para evitar el riesgo de descargas eléctricas que pueden causar lesiones personales graves o la muerte, desconecte la fuente de energía del refrigerador antes de quitarle las puertas. Después de colocar las puertas nuevamente, conecte la fuente de energía.

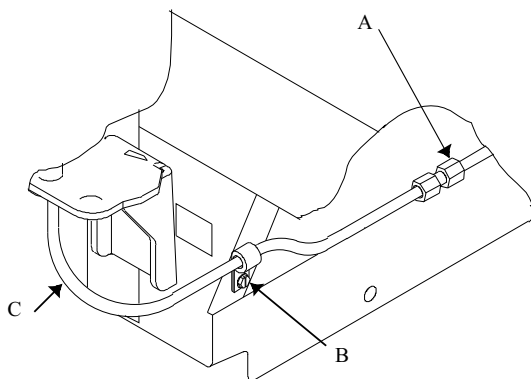
- Quite la parrilla inferior
- Para los modelos electrónicos**  
Desconecte el cableado preformado de la caja de voltaje.



A. Cableado preformado

Desconexión del cableado preformado

- Para los modelos surtidores**  
Afloje el tornillo de la abrazadera del tubo del agua. Afloje la tuerca de unión del tubo de plástico del agua. Saque el tubo del agua de la tuerca de unión y de la abrazadera del tubo.



A. Tuerca de unión del tubo de plástico del agua  
B. Tornillo de la abrazadera del tubo del agua  
C. Tubo del agua

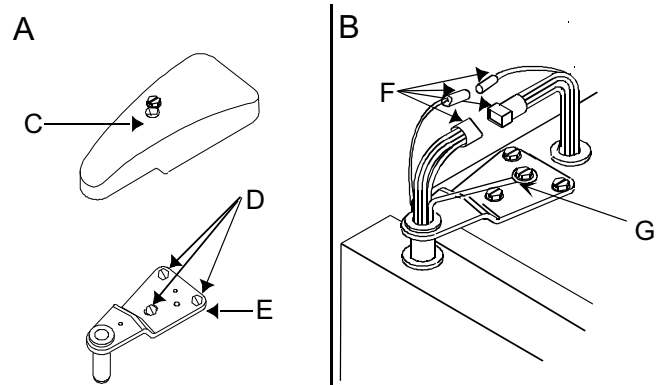
Desconexión de la línea del agua delantera

- Quite las cubiertas de las bisagras superiores. (Fig. A, más adelante)

### **ADVERTENCIA**

Para evitar descargas eléctricas que pueden causar lesiones personales graves o la muerte, el alambre a tierra verde debe permanecer unido a la bisagra.

- Modelos electrónicos y surtidores**  
Desconecte los conectores del alambre de la bisagra superior. No quite el alambre a tierra verde de la bisagra. Cuidadosamente levante y quite las bisagras superiores. No cambie la posición de los calzos para ajuste. (B)



C. Cubierta de la bisagra  
D. Tornillos de la bisagra de la puerta  
E. Bisagra superior  
F. Conectores del alambre  
G. Alambre a tierra verde

Remoción de la bisagra superior

- Quite las puertas.

### **Precaución**

Proteja los pisos suaves de vinilo o de otro tipo, con cartones, mantas o algún otro material protector para evitar daños materiales.

- Deslice la carretilla debajo de un lado del refrigerador. Envuelva el refrigerador con una manta o almohadilla. Pase la correa de la carretilla alrededor del refrigerador y apriétela. No la apriete de más. Mueva el refrigerador enfrente de la ubicación final.
- Vuelva a colgar las puertas en su lugar siguiendo los pasos "a" al "f" en sentido inverso. Use una moneda pequeña encima de las puertas para espaciarlas  $\frac{3}{4}$  pulgada (18 mm) del gabinete.

## 2. Instalación del cartucho de filtración de agua (en algunos modelos)

- Quite el cartucho de derivación de la cabeza del filtro de agua en la esquina posterior derecha de la sección del refrigerador. Tuerza el filtro en sentido contrario al de las manecillas del reloj un giro de  $\frac{1}{4}$  y jale hacia abajo para quitarlo. Guarde la derivación para usarla en el futuro.
- Para la instalación del filtro y el funcionamiento vea *Instalación del sistema de filtración de agua e Instrucciones de funcionamiento*.

## 3. Conexión del suministro de agua



### ADVERTENCIA

Para evitar descargas eléctricas que pueden causar lesiones personales graves o la muerte, desconecte la fuente de energía del refrigerador antes de conectar el suministro de agua. Después de conectar el suministro de agua, conecte la fuente de energía.



### Precaución

Para evitar daños materiales, ejecute los pasos siguientes:

- Compruebe que la presión del agua en la válvula del agua esté entre 20 y 100 libras por pulgada cuadrada.
- Si va a instalar un filtro de agua, la presión del agua a la válvula del agua debe ser cuando menos de 35 libras por pulgada cuadrada.
- Apriete la tuerca del adaptador manualmente para evitar enroscarla mal. Termine de apretar las tuercas con pinzas y llaves. No apriete de más.
- Revise si hay goteras de agua y arréguelas si es necesario antes de volver a colocar el refrigerador en su lugar y 24 horas después de conectarlo.

### Importante

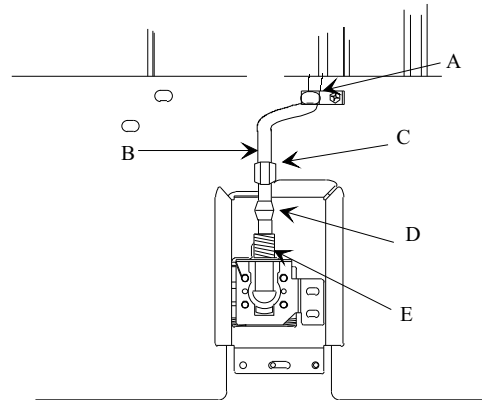
- Antes de conectar el suministro de agua, comuníquese con un plomero para que conecte la tubería de cobre a la tubería de la casa en conformidad con los códigos y reglamentos locales.
- No es recomendable que utilice válvulas tipo de penetración o de sillín de  $\frac{3}{16}$ ". Ambas reducen el flujo del agua, con el tiempo se obstruyen y pueden causar goteras si trata de repararlas. El tipo correcto de válvula de cierre requiere que se haga un orificio de  $\frac{1}{4}$ " (6 mm) en la tubería del suministro de agua antes de conectar la válvula. El fabricante no es responsable por daños causados por la conexión incorrecta.

### Materiales necesarios

Tubería de cobre flexible de  $\frac{1}{4}$ " (6 mm). La longitud de la tubería de cobre debe alcanzar desde la conexión del suministro de agua más 8 pies (2 m) adicionales de tubería para un lazo de servicio.

### Procedimiento

- Quite el tapón de plástico del orificio de entrada de la válvula del agua. Coloque la tuerca y el manguito de latón en la tubería de cobre. Inserte ésta en el orificio de entrada de la válvula del agua. Conecte la tuerca de bronce en la tubería de cobre al orificio de entrada de la válvula del agua. Verifique que la tubería de cobre esté bien segura tirando de ella ligeramente.



- |                     |   |
|---------------------|---|
| A. Abrazadera "P"   | D. Manguito de latón                            |
| B. Tubería de cobre | E. Conexión de la entrada de la válvula de agua |
| C. Tuerca de latón  |   |

Conexión de la línea del suministro de agua

- Abra el suministro de agua que va al refrigerador y revise posibles goteras. Arregle según sea necesario.
- Haga un lazo de servicio con extremo cuidado para evitar dobleces. **Asegure la tubería de cobre al gabinete del refrigerador con una abrazadera "P"**.
- Conecte el cordón eléctrico.**
- Mueva el refrigerador a la ubicación final.**

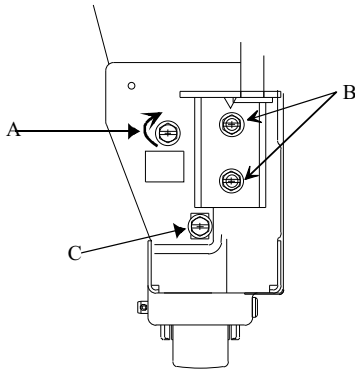


---

## 6. Estabilice el refrigerador y alinee las puertas.

Si el refrigerador se mece o no está estable sobre el piso, realice los pasos siguientes:

- Determine cuál esquina trasera es la que se mece.
- Quite la rejilla inferior para tener acceso a los tornillos de ajuste de rodillo.
- Gire el tornillo de ajuste de rodillo trasero en el sentido de las manecillas del reloj para elevar la esquina que se mece.



- A Tornillo de ajuste de rodillo trasero
- B Tornillos de la bisagra de la puerta
- C Tornillo de ajuste de rodillo delantero

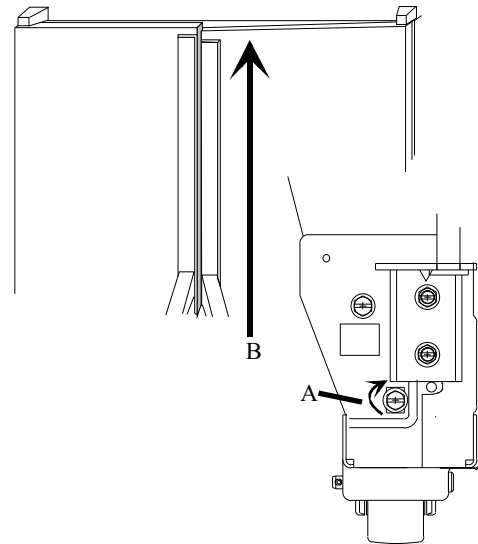
---

Estabilización del refrigerador

- Revise la alineación de la parte superior de las puertas. Si éstas están niveladas, coloque de nuevo la rejilla inferior.

Si la parte superior de las puertas no está nivelada, realice los pasos siguientes:

- Determine cuál puerta debe subirse (si no ha quitado la rejilla inferior, hágalo ahora).
- Gire el tornillo de ajuste de rodillo en el sentido de las manecillas del reloj para elevar la esquina delantera de la puerta que necesite elevarse. Se debe girar el tornillo de ajuste de rodillo hasta que las puertas estén niveladas.
- Vuelva a colocar la rejilla inferior.



- A Gire el tornillo de ajuste de rodillo en el sentido de las manecillas del reloj para elevar la puerta.
- B Continúe girando el tornillo en el sentido de las manecillas del reloj hasta que las puertas estén niveladas.

---

Nivelación de las puertas

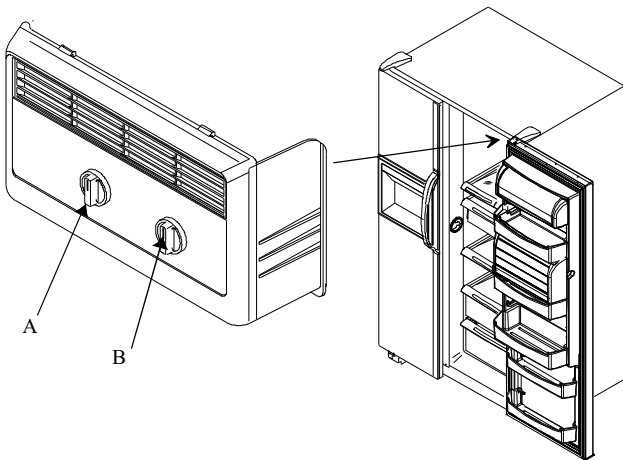
## 7. Revise la “Lista de verificación de la instalación” en el Manual del propietario con el cliente.

# Controles

Este refrigerador está diseñado para funcionar con mayor eficacia en temperaturas domésticas normales, entre 55° y 110°F (13° y 43°C).

## Controles del refrigerador y del congelador (en modelos no electrónicos)

Los controles del refrigerador y del congelador están localizados en la parte superior de la pared posterior de la sección del refrigerador.



- A. Control del congelador
- B. Control del refrigerador

---

### Controles

Cuando el control del congelador está colocado en la posición *desactivada (off)*, ni la sección del refrigerador ni la del congelador se enfriarán. Inicialmente, coloque ambos controles en 4. Espere 24 horas para que las secciones del refrigerador y del congelador establezcan la temperatura. Después de 24 horas, ajuste los controles, un solo número a la vez, según se desee. El 1 es el menos frío y el 7 el más frío.

## Controles de ajuste

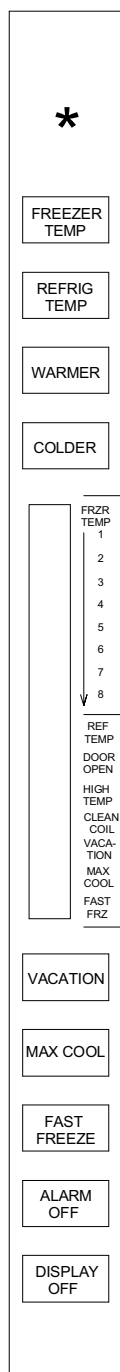
Ajuste los controles utilizando un termómetro común que abarque temperaturas entre -5° y 50°F (-21° y 10°C).

Coloque el termómetro ajustadamente entre paquetes en la sección del congelador y espere de 5 a 8 horas. Si la temperatura del congelador no se encuentra entre 0° y 2°F (-17° y -16°C), ajuste el control, un solo número a la vez. Revise nuevamente después de 5 a 8 horas.

Coloque el termómetro en un vaso de agua en medio de la sección del refrigerador y espere 5 a 8 horas. Si la temperatura del refrigerador no se encuentra entre 38° y 40°F (3° y 4°C), ajuste el control, un solo número a la vez. Revise nuevamente después de 5 a 8 horas.

## Controles electrónicos Touchmatic™

(en algunos modelos)



Encuentre el interruptor de energía en el lado derecho de la caja negra en el centro del gabinete atrás de la rejilla inferior. Encienda el interruptor de energía antes de empezar a programar.

Los controles electrónicos Touchmatic™ están ubicados en el refrigerador entre las asas de la puerta. Oprima el botón \* para activar el panel de control. Todos los otros controles, excepto el botón *ALARM OFF* (alarma desactivada), permanecerán desactivados hasta que se oprima el botón \*. Una vez activadas, los botones permanecerán listos para programarse por lo menos por 10 minutos.

Los controles del refrigerador y del congelador están previamente ajustados en 5. Espere 24 horas después de conectar la fuente de energía para que las secciones del refrigerador y del congelador alcancen las temperaturas deseadas. Después de 24 horas, ajuste los controles al gusto. 1 es el ajuste menos frío y 9 el más frío. Consulte la sección "Controles de ajuste" para ajustar los controles con precisión.

- Para ajustar las temperaturas del refrigerador y del congelador oprima el botón \* luego el botón *REFRIG TEMP* o *FREEZER TEMP*. Oprima el botón *WARMER* o *COLDER* para el ajuste de temperatura un nivel a la vez. El mantener oprimido el botón *WARMER* o *COLDER* ajusta la temperatura más de un nivel a la vez.

### Tono de entrada

El tono de entrada indica que se oprimió un botón y se leyó y aceptó un comando.

- El tono de entrada se desactiva al oprimir y mantener oprimido el botón \* por 3 a 5 segundos. Tres timbres cortos indican que se aceptaron las instrucciones.
- El tono se activa al oprimir y mantener oprimido el botón \* por 3 a 5 segundos.

### Modalidad de vacaciones

La modalidad de vacaciones descongela el refrigerador con menos frecuencia durante períodos largos sin uso.

- La modalidad de vacaciones se activa al oprimir el botón \* y después el botón *VACATION*. La luz indicadora se encenderá.
- La modalidad de vacaciones se desactiva al oprimir el botón \* y luego el botón *VACATION*. El abrir la puerta del refrigerador o la del congelador también desactiva la modalidad de vacaciones.

### Modalidad Max Cool (Enfriamiento máximo)

La modalidad Max Cool ajusta la temperatura del refrigerador a la temperatura más fría. Después de 10 horas, la temperatura del refrigerador regresa automáticamente al ajuste anterior.

- La modalidad Max Cool se activa al oprimir el botón \* y luego el botón *MAX COOL*. La luz indicadora se encenderá.
- Se desactiva la modalidad Max Cool antes de que se reajuste automáticamente al oprimir el botón \* y luego el botón *MAX COOL*.

### Modalidad Fast Freeze (Enfriamiento rápido)

La modalidad Fast Freeze ajusta la temperatura del congelador a la posición más fría. Después de 24 horas, la temperatura del congelador regresa automáticamente al ajuste anterior.

- La modalidad de Fast Freeze se activa al oprimir el botón \* y luego el botón *FAST FREEZE*. La luz indicadora se encenderá.
- La modalidad de Fast Freeze se desactiva antes de reajustarse automáticamente al oprimir el botón \* y luego el botón *FAST FREEZE*.

---

### **Alarma de puerta abierta**

La alarma de puerta abierta suena y la luz indicadora parpadea si cualquiera de las puertas está abierta por más de 3 minutos.

- La alarma de puerta abierta se desactiva al oprimir el botón *ALARM OFF* o al cerrar cualquiera de las puertas.
- La alarma de puerta abierta se activa al oprimir el botón \* y luego mantener oprimido el botón *ALARM OFF* por 3 a 5 segundos. Tres timbres cortos indican que se aceptaron las instrucciones.

### **Alarma de temperatura alta**

La alarma de temperatura alta suena y la luz indicadora se enciende si la temperatura del refrigerador o del congelador está alta por 2 horas. Una luz parpadeante señala el compartimiento afectado. La alarma termina cuando llega a la temperatura apropiada.

- La alarma de temperatura alta se desactiva al oprimir el botón *ALARM OFF*.

### **Alarma del termistor**

El termistor detecta electrónicamente las temperaturas del refrigerador y del congelador. La alarma del termistor suena y la luz indicadora se desplaza del 5 al 8 si el termistor del refrigerador o del congelador no está funcionando apropiadamente.

- La pantalla se desactiva al oprimir el botón *ALARM OFF*.

### **Si suena la alarma del termistor, comuníquese inmediatamente con un técnico Amana® autorizado.**

Si se oprime el botón *ALARM OFF*, el control del termistor repite la prueba para confirmar que se corrigió la situación. La alarma vuelve a sonar si el termistor aún no funciona apropiadamente.

### **Luces indicadoras**

- Las luces indicadoras de temperatura se desactivan al oprimir el botón \* y luego el botón *DISPLAY OFF*.
- Las luces indicadoras de temperatura se activan al oprimir cualquiera de los 5 botones superiores.

### **Luz de limpieza del serpentín de refrigeración**

La luz de limpieza del serpentín de refrigeración se enciende cada tres meses como recordatorio para limpiar los serpentines de refrigeración. La luz se apaga automáticamente en 72 horas.

- La luz de limpieza del serpentín de refrigeración se desactiva antes de que se reajuste automáticamente al oprimir el botón *ALARM OFF*.

# Lista de verificación de la instalación

---

Esta lista de verificación es solamente para su archivo personal.

## Consumidor Instalador

### Puertas

Las puertas están alineadas entre sí. (Después de añadir los alimentos al refrigerador, el consumidor deberá revisar la alineación de las puertas.)

Las puertas se sellan completamente al gabinete del refrigerador.

Las asas están conectadas firmemente a las puertas.

### Modelos electrónicos Touchmatic™ y Surtidores Ice 'N' Water™

Si se quitaron las puertas para instalar el refrigerador, los conectores de alambre de la bisagra superior están reconectados.

### Nivelación

El refrigerador está estable.

La rejilla inferior está unida al refrigerador correctamente.

### Máquina para hacer hielo

La línea de suministro de agua al refrigerador está conectada y abierta.

No hay goteras en la conexión entre la línea de suministro de la casa y el refrigerador. (24 horas más tarde el consumidor debe revisar la conexión para ver si hay goteras.)

El brazo de la máquina para hacer el hielo está en la posición para producir hielo. (La producción inicial de hielo puede tardar hasta 24 horas.)

### Información del producto

Se revisó el Manual del propietario incluso la información a continuación.

- tarjeta de registro del producto
- controles del refrigerador y del congelador
- sistema Chiller Fresh™
- cajones para verduras Garden Fresh™
- sonidos de funcionamiento normal

### Filtros de agua (en algunos modelos)

- Se quitó el cartucho de derivación y se instaló el filtro de agua.

- No hay goteras alrededor de la cabeza del filtro.

Notas \_\_\_\_\_

\_\_\_\_\_

\_\_\_\_\_

\_\_\_\_\_

Firma del cliente

Firma del instalador

Nombre y teléfono de la compañía del instalador

Fecha

# Características del refrigerador



## Precaución

Verifique que la repisa esté firmemente puesta antes de colocar artículos en ella para evitar daños materiales.

## Repisas del refrigerador

Los modelos vienen con repisas de vidrio o de alambre y se ajustan para satisfacer las necesidades individuales de almacenamiento. Algunos modelos vienen con repisas que contienen los derrames Spillsaver™. Las repisas que contienen los derrames menores facilitan la limpieza.

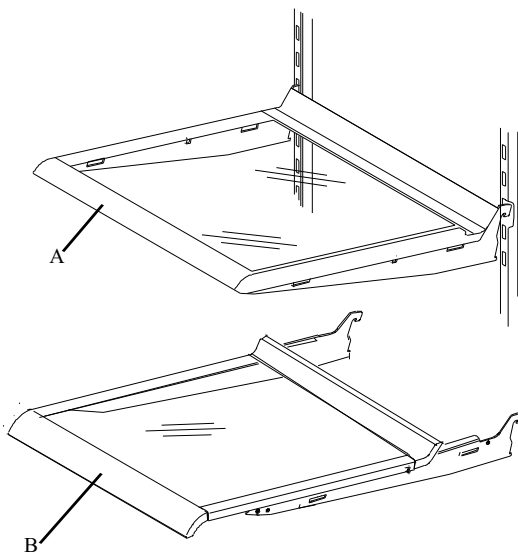


## Precaución

Maneje con cuidado las repisas de vidrio templado para evitar lesiones personales o daños materiales. Las repisas se pueden romper súbitamente si tienen fracturas, rayaduras o se exponen a cambios repentinos de temperatura.

- Quite las repisas levantando la parte delantera y liberando los ganchos de la guía metálica, después jalándolas hacia afuera.
- Vuelva a colocar las repisas insertando los ganchos en la guía metálica y bajando la parte delantera.

Algunos modelos cuentan también con repisas deslizables EasyGlide™ que se pueden deslizar hacia adelante para tener acceso fácil a los artículos de la parte posterior.



- A. Repisa Spillsaver™
- B. Repisa EasyGlide™

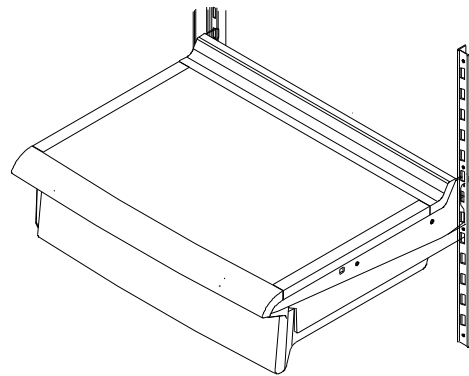
Repisas

## Sistema Chiller Fresh™ (en algunos modelos)

El sistema Chiller Fresh™ consiste de un cajón dentro de un compartimento aislante. El aire del congelador circula entre el cajón y el compartimento aislante. Este sistema conserva frescos los alimentos por más tiempo y hasta 5°F (3°C) más fríos que la temperatura del refrigerador.

El control Chiller Fresh™ se encuentra ubicado debajo del adorno de la repisa delantera. El control ajusta la cantidad de aire que circula alrededor del cajón. Deslice el control hacia *cold* (frío) para la temperatura normal del refrigerador y hacia *coldest* (más frío) para una temperatura más fría. Es posible que se formen cristales de hielo en el cajón o en los alimentos en la posición *coldest* (más frío). El aire frío que entra al cajón para carnes puede disminuir la temperatura del refrigerador. Tal vez sea necesario ajustar el control del refrigerador.

- Saque el cajón levantándolo y jalándolo hacia afuera. Quite la repisa levantando desde la parte delantera y liberando los ganchos de la guía metálica y luego jale hacia afuera.
- Vuelva a colocar la repisa insertando los ganchos en la guía metálica y bajando la parte delantera. Use las ranuras 8 a 11 solamente. Vuelva a colocar el cajón deslizándolo hacia adentro. Cerciérese de que el manguito aislador esté sobre la entrada de aire de la pared lateral.



Sistema Chiller Fresh

## Cajón para embutidos (en algunos modelos)

- Quite el cajón levantándolo y jalándolo hacia afuera. Quite la repisa levantando la parte delantera, liberando los ganchos de la guía metálica y después retirándola.
- Vuelva a colocar la repisa insertando los ganchos en la guía metálica y bajando la parte delantera. Vuelva a colocar el cajón deslizándola hacia adentro.

## Cajones para verduras Garden Fresh™

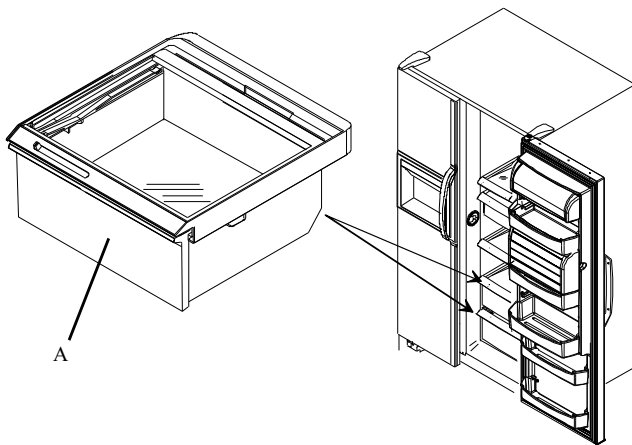
Los cajones Garden Fresh™ conservan frescas las verduras por más tiempo. Envuelva las verduras estrechamente. No lave las verduras antes de colocarlas

en los cajones. El exceso de humedad podría causar que se echen a perder prematuramente. No forre los cajones para verduras con toallas de papel porque retienen la humedad.

Los controles del cajón Garden Fresh™ están ubicados debajo del adorno de la repisa delantera. El control ajusta la humedad en los cajones para frutas y verduras. Deslice el control hacia *high* (alta) para productos que tienen hojas, como la lechuga, espinacas o repollo. Deslice el control hacia *low* (baja) para productos que tienen cáscara, como la coliflor, los elotes o los jitomates.

## Precaución

Maneje con cuidado las repisas de vidrio templado para evitar lesiones personales o daños materiales. Las repisas se pueden romper súbitamente si tienen fracturas, rayaduras o se exponen a cambios repentinos de temperatura.



A. Cajón para frutas y verduras

Cajón para verduras Garden Fresh

Quite los cajones para frutas y verduras garden fresh efectuando los pasos siguientes:

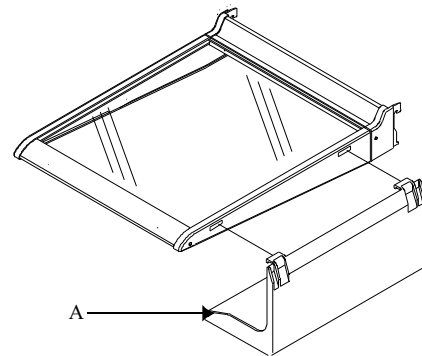
1. Quite el cajón para frutas y verduras tirando de él hacia afuera y luego levantando el frente.
2. Quite la rejilla del cajón para frutas y verduras levantando el frente de la repisa mientras lo sostiene por debajo y luego jalándolo.
3. Coloque los cajones para frutas y verduras y la repisa ejecutando los pasos 1 al 2 en orden inverso.

### **Parrilla para almacenamiento** (en algunos modelos)

La parrilla para almacenamiento ofrece un conveniente lugar para almacenar artículos como botellas altas, huevos, etc.

Dependiendo de dónde acomode la repisa, cuélguela usando uno de los métodos siguientes. La parrilla no puede instalarse enseguida del foco de la sección inferior del refrigerador.

- Quite la parrilla levantando el frente, soltando los ganchos de los rieles metálicos y jalándola hacia fuera. Cuelgue la parrilla insertando las lengüetas en las ranuras en el costado de la repisa. Vuelva a colocar la repisa insertando los ganchos en los rieles metálicos y bajando la parte del frente.  
o bien
- Deslice la parrilla a lo largo de la repisa hasta que las lengüetas estén insertadas en las ranuras.



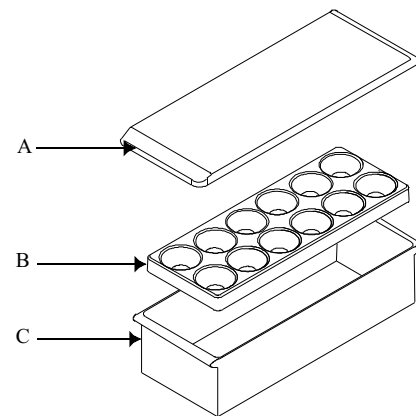
A. Parrilla para almacenamiento

Parrilla para almacenamiento

### **Recipiente cubierto para almacenamiento**

(en algunos modelos)

El recipiente para almacenamiento tiene una tapa y una bandeja desmontable para huevos. Cuando se saca la bandeja, se pueden acomodar artículos tales como cajas regulares de huevos, hielo, etc.



A. Tapa

B. Bandeja para huevos

C. Recipiente para almacenamiento

Recipiente para almacenamiento

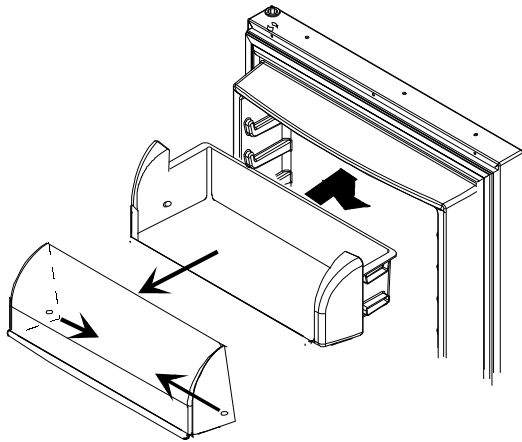
## Central para productos lácteos

(en algunos modelos)

La central para productos lácteos ofrece un conveniente lugar para guardar mantequilla, queso, etc.

La central para productos lácteos es ajustable para satisfacer las necesidades de almacenamiento. También se puede sacar para lavarla. Para sacarla siga los pasos a continuación:

- Quite la central para productos lácteos abriendo la cubierta. Empuje la cubierta hacia el interior de los puntos de pivote y jálela hacia fuera. Levante la central para productos lácteos y jálela para quitarla.
- Coloque la central de lácteos nuevamente siguiendo el procedimiento en orden inverso.



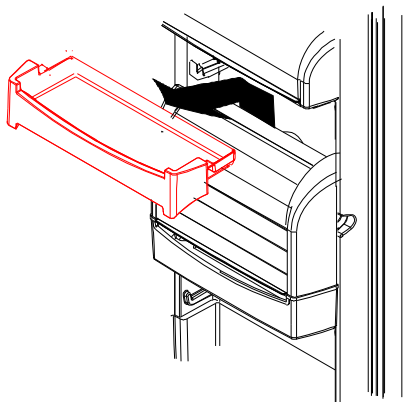
Central para productos lácteos

## Repisa para bocadillos

(en algunos modelos)

La repisa para bocadillos ofrece un conveniente lugar para guardar artículos pequeños y bocadillos.

Para quitar la repisa levántela y jálela hacia fuera. Vuelva a colocar la repisa deslizándola por encima del riel de apoyo que desee y empujándola en su lugar.



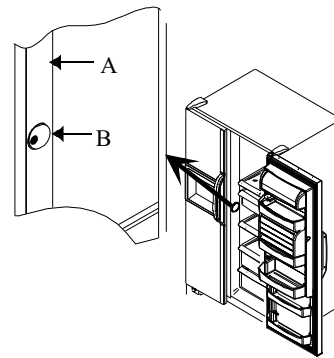
Repisa para bocadillos

## Enfriador de temperatura controlada para bebidas Chiller™

(en algunos modelos)

El enfriador de temperatura controlada para bebidas Chiller™ mantiene las bebidas hasta 5°F (3°C) más frías que la sección del refrigerador. La entrada de aire permite que el aire de la sección del congelador pase al enfriador de bebidas chiller. La entrada del aire está ubicada en la pared interior de la puerta del refrigerador.

El control del enfriador de bebidas chiller está ubicado en la pared izquierda al frente en la sección del refrigerador. El control ajusta la cantidad de aire que circula en el enfriador de bebidas chiller. Gire el control hacia *cold* (frío) para la temperatura normal del refrigerador y hacia *colder* (más frío) para una temperatura más fría.



- A Sección del refrigerador, pared izquierda al frente
- B Control de temperatura

Ilustración del control del enfriador para bebidas Chiller™

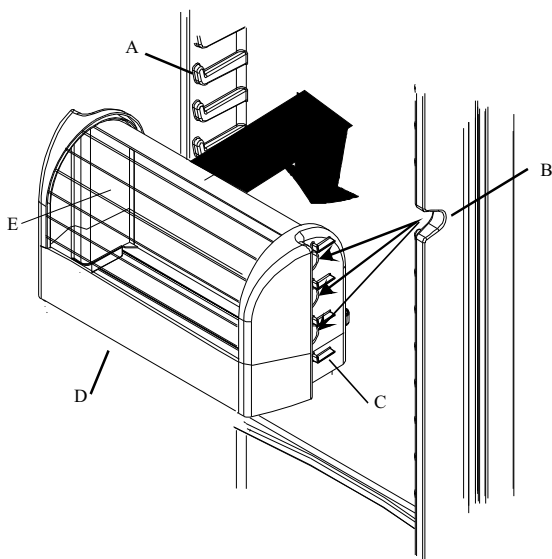
La posición del enfriador para bebidas Chiller es ajustable para satisfacer las necesidades de almacenamiento. También se puede quitar para lavarlo. Para sacarlo siga los pasos a continuación:

- Tome el enfriador Chiller por los lados, levántelo y jálelo para sacarlo.
- Para volver a colocarlo deslícelo entre los rieles que prefiera en el revestimiento de la puerta y encaje el enfriador en su lugar.
- Si limpia el carril de la puerta del enfriador Chiller debe lubricarlo con vaselina para que funcione bien la puerta.

### Importante

A fin de que el enfriador para bebidas Chiller funcione de modo apropiado, uno de los tres orificios de la entrada de aire frío debe estar alineado con la hendidura en el dique derecho de la puerta.





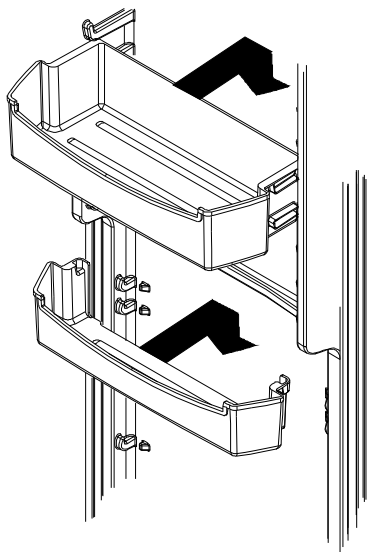
- A. Riel de la repisa del revestimiento de la puerta
- B. La hendidura en el dique de la puerta debe estar alineado con uno de los orificios de entrada de aire frío del enfriador Chiller.
- C. Pestaña
- D. Enfriador para bebidas Chiller™
- E. Sección de la puerta del enfriador para bebidas Chiller

Enfriador para bebidas Chiller™

## Repisas y compartimientos de la puerta

Los compartimientos de la puerta se ajustan para satisfacer las necesidades individuales de almacenamiento.

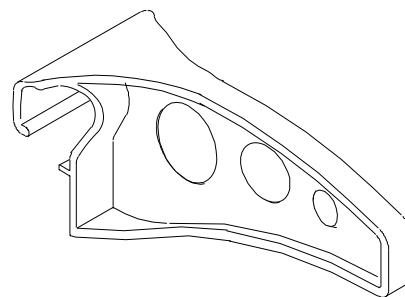
- Quite los compartimientos de la puerta levantándolos y jalándolos hacia fuera.
- Coloque los compartimientos en su lugar deslizándolos entre los rieles y encajándolos en su lugar.



Compartimientos de la puerta

## Separador ajustable (en algunos modelos)

El separador ajustable mantiene los artículos en su sitio y se ajusta para satisfacer las necesidades individuales de almacenamiento. El separador cabe en cualquier compartimiento o repisa de la puerta.



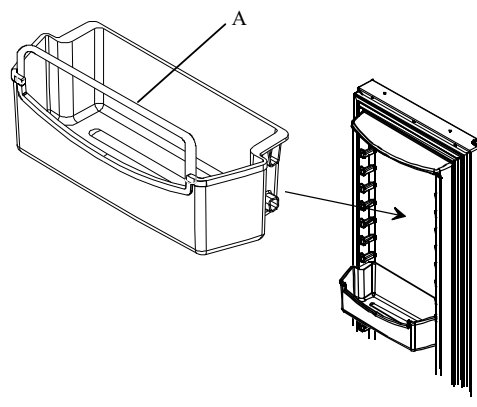
Separador ajustable

## Dispositivo de retención para paquetes altos (en algunos modelos)

El dispositivo de retención para paquetes altos mantiene seguros los artículos altos. El dispositivo cabe en cualquiera de los compartimientos de la puerta. Éste es ajustable a dos diferentes alturas en las repisas de la puerta del refrigerador.

Para instalarlo, insértelo en los orificios a cada lado del compartimiento de la puerta o al frente de la repisa.

- Instale el dispositivo con las perillas en la cara del retén hacia fuera para la posición alta.
- Para la posición más baja, instale el dispositivo de retención con las perillas en la cara del retén hacia dentro. Las perillas se deslizan en las ranuras en los orificios del retén en el interior del compartimiento del frente.



A . Dispositivo de retención para paquetes altos

Instalación del dispositivo de retención para paquetes altos

# Características del congelador



## Precaución

Verifique que la repisa esté firmemente puesta antes de colocar artículos en ella para evitar daños materiales.



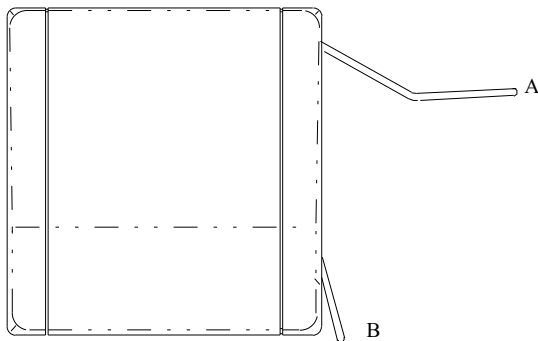
## Precaución

Para evitar que se dañe la máquina de hielo, ejecute los pasos siguientes:

- No fuerce el brazo de la máquina de hielo hacia arriba ni hacia abajo.
- No coloque ni almacene nada en el compartimiento para hielo.

### Máquina de hielo automática (en algunos modelos)

- Verifique que los recipientes para hielo estén en su sitio y que el brazo de la máquina de hielo esté hacia abajo.



- A. Posición "Off" (desactivada)
- B. Posición "On" (activada)

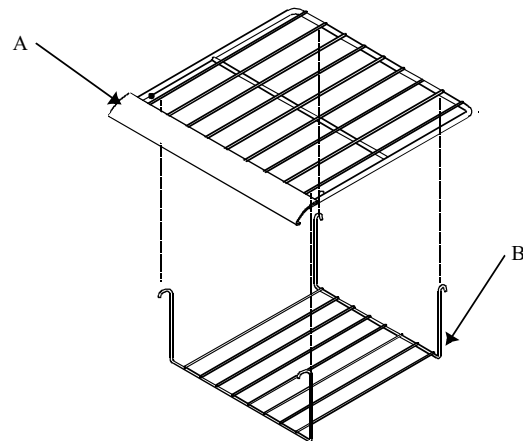
Funcionamiento de la máquina de hielo automática

- Después que la sección del congelador alcanza la temperatura normal, la máquina de hielo se llena de agua y comienza a funcionar. Espere de 24 a 48 horas después de instalarla para que los hielos estén listos. La máquina de hielo produce de 7 a 9 raciones de hielo durante 24 horas bajo condiciones ideales.
- Después de que se forma el hielo, la máquina deja caer los cubos de hielo adentro del recipiente. Mientras el hielo se está haciendo, el brazo de la máquina se levanta y se baja. Cuando el recipiente de hielo se llena, el brazo de la máquina la desactiva. Deseche las tres primeras raciones de hielo para no consumir ninguna impureza que quede en la línea de agua al instalarla y después de períodos largos de tiempo sin usarla.
- Si desea detener la producción automática de hielo levante el brazo de la máquina. Se escucha claramente un chasquido cuando se coloca en la posición adecuada. El brazo de la máquina se quedará en esta posición hasta que se empuje hacia abajo.

### Rejilla del congelador (en algunos modelos)

La rejilla del congelador sostiene las bandejas de cubos de hielo y proporciona almacenaje adicional.

- Para quitar la rejilla del congelador levántela y empuje los ganchos delanteros para liberar los ganchos de la repisa. Jale el frente de la parrilla hacia abajo. Oprima los ganchos hacia dentro para liberar los ganchos traseros de la repisa. Deslice la rejilla fuera de la repisa.
- Coloque la rejilla del congelador nuevamente oprimiendo hacia dentro los ganchos traseros y colocando los ganchos sobre la repisa. Empuje los ganchos del frente hacia dentro y coloque los ganchos sobre la repisa.



- A. Repisa del congelador
- B. Deepfreeze®

Instalación de la rejilla del congelador

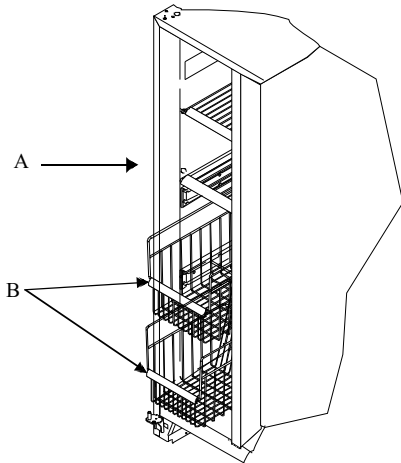
### Sistema Stor-Mor®

Las cestas metálicas se deslizan hacia fuera para facilitar el acceso a los artículos que están en la parte posterior y pueden reacomodarse para satisfacer las necesidades individuales de almacenamiento.

- Quite canastas de alambre jalándolas hacia fuera y levantándolas. Vuelva a colocar las canastas de alambre colocándolas en las guías laterales. Deslice las canastas a la derecha y hacia atrás hasta que la perilla redonda esté atrás del tope de la guía.

# Surtidor de agua y hielo Ice 'N' Water™ (en algunos modelos)

- Quite la repisa levantando el lado derecho fuera de los sujetadores y jalando hacia fuera de los orificios de montaje del lado izquierdo. Para volver a instalar la repisa invierta los pasos.



A. Repisa de alambre      B. Canasta de alambre  
Canastas y repisa del congelador



## Precaución

Para evitar daños personales o materiales, siga las instrucciones a continuación:

- No use el surtidor con la puerta del congelador abierta.
- No introduzca los dedos, las manos o algún objeto extraño en el orificio del surtidor.
- No use objetos afilados para quebrar el hielo.

## Funcionamiento del surtidor de agua

Toma aproximadamente 1 minuto después de conectar por primera vez el refrigerador al suministro de agua doméstica para que comience a salir el agua. Deseche los primeros 10 a 14 recipientes de agua después de conectar por primera vez el refrigerador al suministro de agua y después de períodos de tiempo largos sin usarse.

- Dispense el agua oprimiendo firmemente un recipiente de boca ancha contra la barra del surtidor de agua.
- Detenga el agua dejando de oprimir la barra. Una pequeña cantidad de agua puede continuar cayendo. La repisa de derrames no tiene drenaje, los derrames grandes deben secarse.

## Funcionamiento del surtidor del hielo



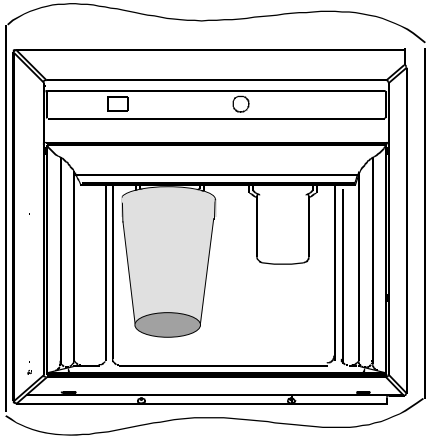
## Precaución

Para evitar lesiones personales o daños materiales, no dispense hielo directamente en vidrio delgado, porcelana fina o cristal delicado.

- Seleccione la función de hielos en cubos o triturado deslizando la palanca en el panel del surtidor. Dispense el hielo oprimiendo un recipiente de boca ancha contra la barra del surtidor de hielo.

### Importante

**Reduzca el salpicado de hielo triturado sosteniendo el recipiente de boca ancha directamente debajo del canal del hielo y tan arriba como sea posible en el área del surtidor.**



Colocación de un vaso en el surtidor

- Para detener el surtido de hielo libere la presión en la barra antes de que el recipiente esté lleno. Algo de hielo continuará cayendo. No quite el recipiente hasta que caiga el último hielo.

Si se dispensa hielo de modo continuo, el motor del surtidor está diseñado para apagarse después de 3 a 5 minutos. El motor se reinicia después de 3 minutos y entonces se puede continuar dispensando hielo.

Cuando se cambia la función de hielo de cubos a triturado ocurre un pequeño retraso. Los pedazos de hielo triturado varían en tamaño y forma. Se puede formar "nieve" en la puerta y en el canal de hielo cuando se dispensa repetidamente hielo triturado. Permita que la "nieve" se evapore y séquela.

El surtidor sólo funciona con cubos de hielo del tamaño correcto y de forma de media luna. No añada cubos de hielo comprados u otra forma de hielos al compartimiento de hielo.

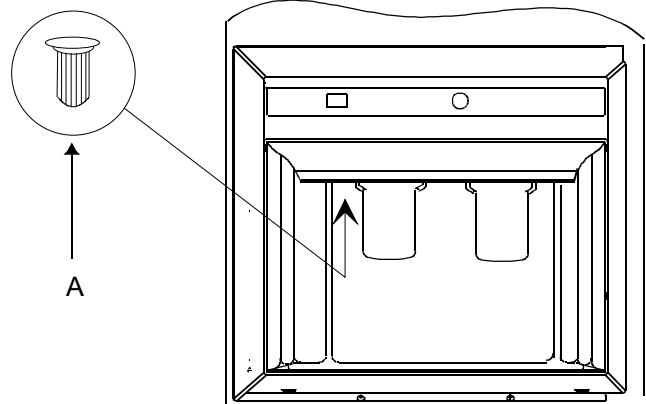
### Para quitar el compartimiento del hielo

- Quite el compartimiento del hielo levantándolo y jalándolo hacia fuera.
- Coloque el compartimiento de nuevo en su lugar deslizándolo hasta que el compartimiento se acomode en su lugar. El compartimiento del hielo debe estar acomodado en su lugar para dispensar hielo apropiadamente. Si la puerta del congelador no cierra, el compartimiento no está en la ubicación correcta.

### Luz del surtidor (en algunos modelos)

Una luz se activa cuando dispensa hielo o agua. Algunos modelos vienen con una luz de noche.

- Active la luz de noche oprimiendo el interruptor localizado por abajo del surtidor y a la izquierda de la barra surtidora de hielo.



A. Interruptor de luz de noche

Ubicación de la luz del surtidor

### Sabor y olor

Ejecute los pasos siguientes para minimizar las dificultades con el sabor y el olor:

- Guarde los alimentos en recipientes herméticamente sellados o en bolsas a prueba de humedad.
- Comuníquese con la compañía de tratamiento de agua local para obtener ayuda especializada si los problemas persisten.
- Si el refrigerador tiene un filtro de agua, reemplace el cartucho del filtro de agua. Vea *Instalación y funcionamiento del sistema de filtrado de agua* para el procedimiento de reemplazo.

# Cuidado y limpieza



## ADVERTENCIA

Desconecte la fuente de energía al refrigerador antes de limpiarlo para evitar descargas eléctricas que pueden causar lesiones personales graves o la muerte. Después de limpiarlo, vuelva a conectar la corriente.



## Precaución

Lea y siga todas las instrucciones del fabricante de los productos de limpieza para evitar lesiones personales o daños materiales.

### Limpieza general

1. Lave las superficies con 4 cucharadas de bicarbonato de sodio disuelto en 1 litro de agua tibia utilizando un trapo suave y limpio.
2. Enjuague las superficies con agua tibia. Seque las superficies con un trapo suave y limpio.
  - No utilice los siguientes productos:
    - limpiadores abrasivos o ásperos tales como amoníaco, cloro, blanqueadores, etc.
    - detergentes o solventes concentrados
    - estropajos metálicos.Estos productos pueden rayar, rajar y decolorar las superficies.
  - No lave las repisas, recipientes, etc. en una lavadora de platos automática.

### Eliminación de olores

1. Saque todos los alimentos y desconecte la fuente de energía al refrigerador.
2. Limpie todas las superficies interiores incluso el techo, el piso y las paredes de acuerdo con las instrucciones de limpieza de la sección "Limpieza general". Preste atención especial a las esquinas, hendiduras y ranuras. Incluya todos los accesorios, cajones, repisas y empaques.
3. Conecte la fuente de energía al refrigerador y vuelva a colocar los alimentos en el refrigerador. Lave y seque todas las botellas, los recipientes y los frascos. Guarde todos los alimentos en recipientes sellados herméticamente para evitar malos olores adicionales. Después de 24 horas revise si se ha eliminado el olor.

Ejecute los pasos siguientes si no se ha eliminado el olor:

4. Ejecute los pasos 1 y 2.

5. Coloque los cajones para verduras garden fresh en la repisa superior de la sección del refrigerador. Llene las secciones del refrigerador y del congelador, incluso las puertas, con hojas estrujadas de periódico.
6. Coloque pedazos de carbón en diferentes lugares del periódico.
7. Cierre las puertas y deje reposar de 24 a 48 horas.
8. Saque los pedazos de carbón y los periódicos.
9. Ejecute los pasos 2 y 3.

Si aún no se ha eliminado el olor, comuníquese con el Departamento de asuntos del consumidor. Consulte la sección Identificación del modelo para obtener el número telefónico.

### Adhesivos

1. Elimine el residuo de goma frotando un poco de pasta dental sobre el adhesivo hasta aflojarlo.
2. Enjuague la superficie con agua tibia. Seque la superficie con un trapo limpio y suave.

### Empaques de la puerta

1. Limpie los empaques de la puerta cada 3 meses de acuerdo con las instrucciones de la sección "Limpieza general".
2. Aplique una capa ligera de vaselina al lado de la bisagra del empaque del refrigerador para mantener los empaques flexibles.

### Serpentines del condensador

Limpie el serpentín del condensador cada 3 meses para asegurar un funcionamiento óptimo del refrigerador. La acumulación de polvo y pelusa puede causar lo siguiente:

- menor rendimiento de enfriamiento
  - aumento del consumo de energía
  - falla prematura del compresor
1. Quite la parrilla inferior sosteniendo los extremos y jalándola hacia afuera.
  2. Limpie la superficie delantera del serpentín con la boquilla de la manguera de una aspiradora.
  3. Vuelva a colocar la parrilla inferior insertando y encajando las presillas en los agujeros del gabinete.



## Precaución

Proteja los pisos suaves de vinilo o de otros tipos con cartones, mantas o algún otro material protector para evitar daños materiales.

4. Jale el refrigerador para alejarlo de la pared. Pase el cepillo de la aspiradora sobre la rejilla del ventilador del condensador que está en la parte posterior del refrigerador.

## Repisas de vidrio

### Precaución

Maneje cuidadosamente las repisas de vidrio templado para evitar lesiones personales o daños materiales. Las repisas se pueden romper súbitamente si tienen fracturas, rayaduras o se exponen a cambios repentinos de temperatura.

Saque la repisa levantándola de la parte delantera, liberando los ganchos de los rieles metálicos, luego jalando la repisa hacia delante. Colóquela sobre una toalla y permita que la repisa se adapte a la temperatura ambiental antes de limpiarla.

Limpie las hendiduras haciendo lo siguiente:

1. Diluya un detergente suave y aplíquelo en las hendiduras usando un cepillo con cerdas de plástico. Déjelo reposar durante cinco minutos.
2. Rocíe agua tibia en las hendiduras usando un aditamento para rociar agua desde el grifo.
3. Seque bien la repisa y vuelva a colocarla insertando los ganchos en los rieles metálicos y bajándola por la parte delantera.

## Focos

### ADVERTENCIA

Desconecte la fuente de energía al refrigerador antes de cambiar los focos para evitar descargas eléctricas que pueden causar lesiones graves o la muerte. Después de cambiar los focos, vuelva a conectar la corriente.

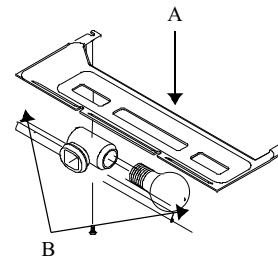
### Precaución

Lleve a cabo lo siguiente para evitar lesiones personales o daños materiales.

- Permita que se enfríe el foco.
- Use guantes cuando reemplace el foco.

### Sección superior del refrigerador

- Quite la tapa del foco extrayendo los tornillos hexagonales de ¼ de pulgada. Reemplace el foco con uno para electrodomésticos de 40 watts.
- Vuelva a colocar la cubierta del foco atornillando los tornillos hexagonales de ¼ de pulgada.

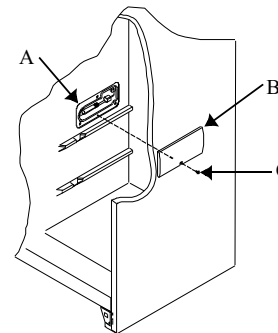


A. Cubierta del foco B. Foco

Reemplazo del foco de la sección superior del refrigerador

### Sección inferior del refrigerador (en algunos modelos)

- Quite la tapa del foco extrayendo los tornillos. Reemplace el foco con uno tubular de 40 watts.
- Vuelva a colocar la cubierta del foco colocándola sobre el foco, inserte y apriete el tornillo.

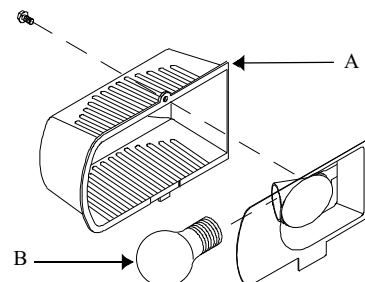


A. Foco B. Cubierta del foco  
C. Tornillo

Reemplazo del foco de la sección inferior del refrigerador

### Sección del congelador

1. Quite el compartimiento del hielo levantándolo y jalándolo hacia fuera.
2. Quite la cubierta del foco sacándole el tornillo. Reemplace el foco con un foco para electrodomésticos de 40 watts.
3. Vuelva a colocar la cubierta del foco en su lugar sosteniendo la cubierta sobre el foco e insertando y apretando el tornillo.
4. Vuelva a colocar el compartimiento del hielo en su lugar deslizándolo hasta que el compartimiento encaje en su lugar.



A. Cubierta del foco B. Foco

Reemplazo del foco de la sección del congelador

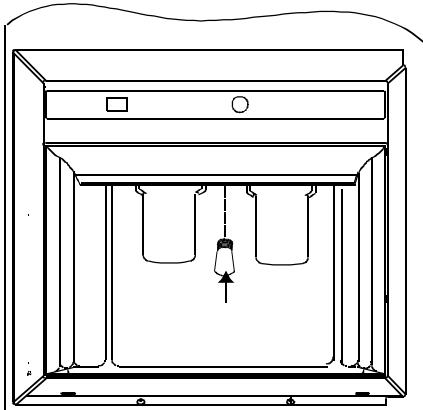
# Sonidos normales de funcionamiento

## Surtidor de hielo y agua Ice 'N' Water™

(en algunos modelos)

El foco se encuentra ubicado entre los brazos del dispensador.

- Quite el foco desatornillándolo. Reemplace el foco con uno de 6 watts y 120 voltios.
- Vuelva a colocar el foco en su lugar insertándolo y apretándolo.



Reemplazo del foco del surtidor

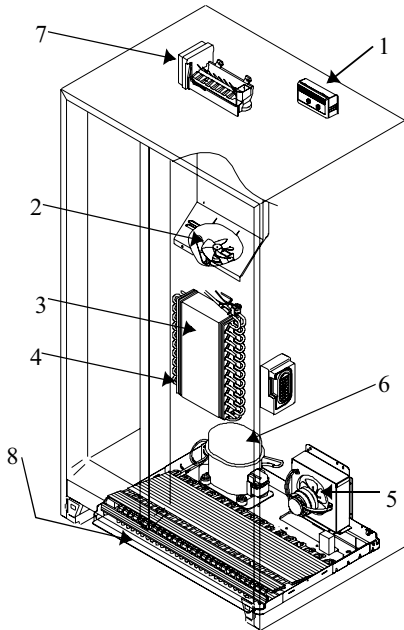
Es posible que este refrigerador nuevo esté reemplazando a uno de diferente diseño, menos eficiente o más pequeño. Los refrigeradores actuales tienen características nuevas y un mejor rendimiento de energía. Como resultado de esto, ciertos sonidos pueden parecer poco comunes. Estos sonidos son normales y pronto le serán familiares. Estos sonidos indican también que el refrigerador está funcionando y rindiendo según su diseño.

1. **Control del congelador** hace un clic al arrancar o detenerse el compresor.
2. **Ventilador del congelador** - el aire se acelera y zumba.
3. **Sistema sellado** (evaporador e intercambiador de calor). El flujo del refrigerante gorgojea, cruje o suena como agua hirviendo.
4. **Calentador de descarchado** hace chirridos, silba o cruje.
5. **Ventilador del condensador** - el aire se acelera y zumba.
6. **Compresor** tiene un sonido de alta frecuencia de tarareo o pulsante, y se enciende y apaga en ciclos.
7. **Cubos de hielo** de la máquina para hacer hielo (en algunos modelos) caen al recipiente.
8. **Motor del espiral para hielo** (en los modelos con surtidor de hielo y agua) zumba cuando el espiral agita el hielo al dispensarlo. El motor del espiral para hielo está localizado en la puerta del congelador. (No se muestra.)

**Conexión de la válvula de agua de la máquina para hacer hielo** (en algunos modelos). Zumba cuando la máquina para hacer hielo se llena con agua. Esto ocurre independientemente de que el refrigerador esté o no esté conectado al suministro de agua. Si no está conectado, elimine el ruido colocando el brazo de la máquina para hacer hielo en la posición desactivada (off). La conexión de la válvula de agua está ubicada detrás en la parte inferior de la esquina izquierda. (No se muestra.)

# Antes de llamar para solicitar servicio

El aislante de espuma tiene muy buen rendimiento de energía y excelente capacidad aislante. Sin embargo, no absorbe el ruido tanto como el aislamiento de fibra de vidrio que se usaba anteriormente. (No se muestra.)



Ubicación del sonido

El refrigerador no funciona.

- Verifique que el control del congelador esté en la posición on (encendida).
- Verifique que el refrigerador esté enchufado.
- Revise el fusible o el cortacircuitos. Enchufe otro aparato en el tomacorriente de la pared.
- Espere 40 minutos para ver si el refrigerador comienza a funcionar. Si el control del congelador está encendido y las luces funcionan pero los dos ventiladores y el compresor no están funcionando, el refrigerador podría estar en el ciclo de descarchado.

El refrigerador aún no funciona.

- Desenchufe el refrigerador. Cambie los alimentos a otro refrigerador o coloque hielo seco en la sección del congelador para conservar los alimentos. **La garantía no cubre pérdida de alimentos.** Revise el certificado de garantía para la cobertura específica.
- Llame al **1-800-628-5782** dentro de los EE.UU., y al **1-319-622-5511** fuera de los EE.UU., para localizar un técnico Amana autorizado.

La temperatura de los alimentos está muy tibia.

- Vea las secciones anteriores.
- Deje pasar algo de tiempo para que los alimentos tibios recién guardados alcancen la temperatura del refrigerador o del congelador.
- Revise que los empaques estén sellando de forma correcta.
- Limpie los serpentines del condensador.
- Ajuste el control del refrigerador y/o el del congelador.
- Asegúrese que la parrilla de aire posterior no esté obstruida. Ésta se encuentra ubicada detrás del cajón izquierdo para verduras garden fresh.

La temperatura del sistema Chiller Fresh™ está muy tibia.

- Gire el control a un ajuste más frío.
- Ajuste el control del congelador a una posición de ajuste más fría.

La temperatura de los alimentos está muy fría.

- Limpie los serpentines del condensador.
- Ajuste el control del refrigerador.
- Ajuste el control del congelador a una posición de ajuste más tibia. Deje que pasen varias horas para que la temperatura se ajuste.
- Uno de los tres orificios de la entrada de aire al enfriador de bebidas chiller no está alineado con la hendidura del lado derecho del dique de la puerta.



---

El refrigerador funciona con mucha frecuencia.

- Puede ser normal para mantener una temperatura constante.
- Puede ser que las puertas se hayan abierto frecuentemente o por mucho tiempo.
- Deje que pase algo de tiempo para que los alimentos tibios recién guardados alcancen la temperatura del refrigerador o del congelador.
- Limpie los serpentines del condensador.
- Ajuste el control del congelador.
- Revise los empaques para ver que sellen de modo apropiado.

Se forman gotitas de agua en el interior del refrigerador.

- Es normal durante períodos de humedad alta o si las puertas se han abierto frecuentemente.

Se forman gotitas de agua en el exterior del refrigerador.

- Revise los empaques de las puertas para ver que sellen de modo apropiado.

Los cajones para verduras Garden Fresh™ o el sistema de enfriamiento Chiller Fresh™ no se cierran libremente.

- Revise si hay algún paquete impidiendo que el cajón cierre apropiadamente.
- Verifique que el cajón esté en la posición correcta.
- Limpie los canales del cajón con agua tibia y jabonosa. Enjuáguelo y séquelo completamente.
- Aplique una capa fina de vaselina en los canales del cajón.
- Verifique que el refrigerador esté nivelado.

El refrigerador tiene mal olor.

- Vea las instrucciones en “Eliminación de olores” en la sección “Cuidado y mantenimiento”.

El refrigerador o el surtidor de hielo hace ruidos extraños o que parecen muy fuertes.

- Puede ser normal. Vea la sección “Sonidos normales de funcionamiento”.

La máquina de hielo automática no hace hielo.

- Verifique que el brazo de la máquina esté bajado.
- Verifique que el suministro de agua de la casa esté llegando a la válvula de agua.
- Verifique que el cableado preformado de la máquina de hielo esté completamente insertado en los orificios apropiados.
- Revise si hay dobleces en las tuberías de cobre o de plástico. Quite los dobleces o reemplace la tubería.
- Revise las conexiones eléctricas a la caja de conectores y serpentín de la válvula del agua en el gabinete del refrigerador.
- Verifique que la sección del congelador esté funcionando a la temperatura apropiada.

Los hielos tienen mal olor.

- Vea las instrucciones “Eliminación de olores” en la sección “Cuidado y mantenimiento”.
- Deseche los hielos y limpie el depósito o las bandejas de hielo más frecuentemente. Los hielos son porosos y absorben olores fácilmente.

Los cubos de hielo se pegan o se “encogen”.

- Vacíe el depósito o las bandejas de hielo más frecuentemente. Si no se usan seguidos, los cubos de hielo se pueden pegar o encoger.

Se forma hielo en el tubo de entrada a la máquina de hielo.

- Revise la presión del agua. La presión de agua baja causará que la válvula gotee. Las válvulas auto-perforantes causan presión baja de agua. **Amana recomienda usar tuberías de cobre para conectar la tubería de la casa al refrigerador. No use una válvula autopercutor. Amana no es responsable por daños materiales causados por la instalación de la conexión de agua mal hecha.**

## Sugerencias para conservar energía

Este refrigerador ha sido diseñado para ser uno de los refrigeradores de mayor rendimiento de energía disponibles. Reduzca el consumo de energía llevando a cabo lo siguiente.

- Manténgalo funcionando a temperaturas normales entre 55° y 110°F (13° y 43°C) alejado de las fuentes de calor y de la luz directa del sol.
- Fije los controles del refrigerador, congelador y del sistema Chiller Fresh™ a una temperatura que no sea más fría de la necesaria.
- Mantenga llena la sección del congelador.
- Mantenga los empaques de la puerta limpios y flexibles. Cambie los empaques si están gastados.
- Mantenga limpios los serpentines del congelador.

## Sugerencias para cuando sale de vacaciones

Siga los pasos a continuación cuando tome unas vacaciones breves.

1. Saque los alimentos que se puedan echar a perder.  
**La garantía no cubre pérdida de alimentos.** Revise el certificado de garantía para ver las coberturas específicas.
2. Si tiene instalada una máquina para hacer hielo, ponga el brazo de la máquina en la posición desactivada (*off*).

Siga los pasos a continuación cuando tome vacaciones largas.

1. Vacíe las secciones del refrigerador y del congelador.
2. Desenchufe el refrigerador.
3. Limpie el refrigerador y los empaques de las puertas de acuerdo con las instrucciones de "Limpieza general" en la sección "Cuidado y limpieza".
4. Deje las puertas abiertas para que pueda circular el aire en el interior.
5. Si tiene instalada una máquina para hacer hielo, cierre el suministro del agua al refrigerador y ponga el brazo de la máquina en la posición desactivada (*off*).

# Garantía (modelos electrónicos)

La garantía se aplica solamente a los modelos con controles electrónicos.

## Garantía completa de un año

**Garantía completa de cinco años en los componentes del sistema sellado y en el revestimiento del compartimiento de los alimentos**

**Garantía limitada de cinco años en los componentes del control electrónico Garantía limitada de diez años en los componentes del sistema sellado**

### Primer año

Amana reparará o reemplazará sin cargo alguno, las piezas defectuosas debido a la mano de obra o a los materiales.

### Del segundo al quinto año

Amana reemplazará, sin cargo alguno, cualquier componente del sistema sellado (compresor, condensador, evaporador y la tubería de interconexión) y reparará cualquier revestimiento del compartimiento de los alimentos (excluyendo el revestimiento de la puerta) que esté defectuoso debido a la mano de obra o a los materiales.

### Del segundo al quinto año

Amana reemplazará, gratuitamente, Amana, Iowa, cualquier componente del control electrónico (alto y bajo voltaje, tableros de circuitos impresos, conjunto del teclado del adorno superior), que esté defectuoso debido a la mano de obra o a los materiales.

### Del sexto al décimo año

Amana reemplazará cualquier componente del sistema sellado (compresor, condensador, evaporador y la tubería de interconexión), Amana, Iowa, que esté defectuoso debido a la mano de obra o a los materiales.

### Limitaciones de la garantía

- Comienza a partir de la fecha de la compra original.
- Se aplica a productos que se van a usar dentro de los Estados Unidos o en Canadá, si el producto viene de la fábrica con la aprobación de la Asociación de Normas Canadienses.
- El servicio debe realizarlo un técnico Amana® **autorizado**.
- Los daños causados durante el transporte no están cubiertos bajo esta garantía.

### La garantía se anulará si:

- La placa del número de serie está borrosa o ilegible.
- Se le ha dado uso comercial al producto, se ha rentado o alquilado.
- El producto tiene algún defecto o daño debido a un accidente, alteración, conexión eléctrica incorrecta, incendio, inundación, relámpagos, envío o manejo del producto, y otras condiciones fuera del control de Amana.
- El producto ha sido instalado o usado incorrectamente.

### Responsabilidad del propietario

- Proporcionar evidencia de compra (recibo).
- Proporcionar cuidado y mantenimiento normales. Reemplazar los artículos reemplazables por el propietario de acuerdo con las instrucciones que aparecen en el Manual del propietario.
- Permitir que el producto sea razonablemente accesible por el personal de servicio.
- Pagar una compensación de los gastos de servicio por los servicios prestados por el técnico fuera de su horario habitual de trabajo.
- Pagar por las llamadas de servicio relacionadas con la instalación y uso del producto.

### En ningún caso Amana se hará responsable de daños incidentales o emergentes, incluso la pérdida de alimentos\*

\*Esta garantía otorga derechos legales específicos y puede ser que existan otros derechos que difieren de un estado a otro. Por ejemplo, algunos estados no permiten la exclusión o limitación de los daños incidentales o emergentes, por lo tanto, es posible que esta exclusión no le afecte a usted.

# Garantía (Modelos que no son electrónicos)

La garantía se aplica a los modelos que tengan SR o SB como las primeras dos letras del número de modelo.

## Garantía completa de un año

**Garantía completa de cinco años en los componentes del sistema sellado y en el revestimiento del compartimiento de los alimentos**

**Garantía limitada de diez años en los componentes del sistema sellado**

### Primer año

Amana reparará o reemplazará sin cargo alguno, las piezas que estén defectuosas debido a la mano de obra o a los materiales.

### Del segundo al quinto año

Amana reemplazará, sin cargo alguno, cualquier componente del sistema sellado (compresor, condensador, evaporador y la tubería de interconexión) y reparará cualquier revestimiento del compartimiento de los alimentos (excluyendo el revestimiento de la puerta) que esté defectuoso debido a la mano de obra o a los materiales.

### De sexto al décimo año

Amana reemplazará cualquier componente del sistema sellado (compresor, condensador, evaporador y la tubería de interconexión), Amana, Iowa, que esté defectuoso debido a la mano de obra o a los materiales.

### Limitaciones de la garantía

- Comienza a partir de la fecha de la compra original.
- Se aplica a productos que se van a usar dentro de los Estados Unidos o en Canadá, si el producto viene de la fábrica con la aprobación de la Asociación de Normas Canadienses.
- El servicio debe realizarlo un técnico Amana® **autorizado**.
- Los daños causados durante el transporte no están cubiertos bajo esta garantía.

### La garantía se anulará si:

- La placa del número de serie está borrosa o ilegible.
- Se le ha dado uso comercial al producto, se ha rentado o alquilado.
- El producto tiene algún defecto o daño debido a un accidente, alteración, conexión eléctrica incorrecta, incendio, inundación, relámpagos, envío o manejo del producto, y otras condiciones fuera del control de Amana.
- El producto ha sido instalado o usado incorrectamente.

### Responsabilidad del propietario

- Proporcionar evidencia de compra (recibo).
- Proporcionar cuidado y mantenimiento normales. Reemplazar los artículos reemplazables por el propietario de acuerdo con las instrucciones que aparecen en el Manual del propietario.
- Permitir que el producto sea razonablemente accesible por el personal de servicio.
- Pagar una compensación de los gastos de servicio por los servicios prestados por el técnico fuera de su horario habitual de trabajo.
- Pagar por las llamadas de servicio relacionadas con la instalación y uso del producto.

### En ningún caso Amana se hará responsable de daños incidentales o emergentes, incluso la pérdida de alimentos\*

\*Esta garantía otorga derechos legales específicos y puede ser que existan otros derechos que difieren de un estado a otro. Por ejemplo, algunos estados no permiten la exclusión o limitación de los daños incidentales o emergentes, por lo tanto, es posible que esta exclusión no le afecte a usted.

# Garantía

La garantía se aplica a los modelos que tengan SC, SQ o SX como las primeras dos letras del número de modelo.

## Garantía completa de un año

### Garantía completa de cinco años en los componentes del sistema sellado y en el revestimiento del compartimiento de los alimentos

#### Primer año

Amana reparará o reemplazará sin cargo alguno, cualquier pieza que esté defectuosa debido a la mano de obra o a los materiales.

#### Del segundo al quinto año

Amana reemplazará, sin cargo alguno, cualquier componente del sistema sellado (compresor, condensador, evaporador y la tubería de interconexión) y reparará cualquier revestimiento del compartimiento de los alimentos (excluyendo el revestimiento de la puerta) que esté defectuoso debido a la mano de obra o a los materiales.

#### Limitaciones de la garantía

- Comienza a partir de la fecha de la compra original.
- Se aplica a productos que se van a usar dentro de los Estados Unidos o en Canadá, si el producto viene de la fábrica con la aprobación de la Asociación de Normas Canadienses.
- El servicio debe realizarlo un técnico **autorizado** de Amana.

#### La garantía se anulará si:

- La placa del número de serie está borrosa o ilegible.
- Se le ha dado uso comercial al producto, se ha rentado o alquilado.
- El producto tiene algún defecto o daño debido a un accidente, alteración, conexión eléctrica incorrecta, incendio, inundación, relámpagos, envío o manejo del producto, u otras condiciones fuera del control de Amana.
- El producto ha sido instalado o usado incorrectamente.

#### Responsabilidades del propietario

- Proporcionar evidencia de compra (recibo).
- Proporcionar cuidado y mantenimiento normales. Reemplazar los artículos reemplazables por el propietario de acuerdo con las instrucciones que aparecen en el Manual del propietario.
- Permitir que el producto sea razonablemente accesible por el personal de servicio.
- Pagar una compensación de los gastos de servicio por los servicios prestados por el técnico fuera de su horario habitual de trabajo.
- Pagar por las llamadas para solicitar servicio relacionado con la instalación o uso del producto.

#### En ningún caso Amana se hará responsable de daños incidentales o emergentes, incluyendo la pérdida de alimentos\*

\*Esta garantía otorga derechos legales específicos y puede ser que existan otros derechos que difieren de un estado a otro. Por ejemplo, algunos estados no permiten la exclusión o limitación de los daños incidentales o emergentes, por lo tanto, es posible que esta exclusión no le afecte a usted.





Part No. 12415702  
Printed in U.S.A.

***Amana***

©1998 Amana Appliances  
Amana, IA 52204



## Free Manuals Download Website

<http://myh66.com>

<http://usermanuals.us>

<http://www.somanuals.com>

<http://www.4manuals.cc>

<http://www.manual-lib.com>

<http://www.404manual.com>

<http://www.luxmanual.com>

<http://aubethermostatmanual.com>

Golf course search by state

<http://golfingnear.com>

Email search by domain

<http://emailbydomain.com>

Auto manuals search

<http://auto.somanuals.com>

TV manuals search

<http://tv.somanuals.com>