



One Year Limited Warranty

Amcor, Inc. ("Amcor") warrants the original retail purchaser ("Purchaser") purchasing in the United States that the Amcor product with which this warranty is enclosed is free from defects in materials and workmanship.

Amcor's sole obligation under this warranty is to replace, or at Amcor's discretion, to repair, free of charge, all defective parts, for a period of one (1) year from date of original purchase. ANY IMPLIED WARRANTY OF MERCHANTABILITY IS SIMILARLY LIMITED TO ONE (1) YEAR FROM DATE OF ORIGINAL PURCHASE AND NO ACTION BASED UPON ANY IMPLIED WARRANTY OF MERCHANTABILITY OR OTHERWISE MAY BE COMMENCED AFTER EXPIRATION OF ONE (1) YEAR FROM DATE OF ORIGINAL RETAIL PURCHASE. Some states do not allow limitations on how long an implied warranty lasts, so the above limitation may not apply to you.

The provisions of this warranty shall not apply to any product which in Amcor's judgment has been (1) subject to misuse or neglect. (2) damaged in an accident. (3) used for a purpose for which it was not designed, or (4) repaired or altered in any way that adversely affected its performance or reliability.

To obtain warranty service, the defective product or part must be shipped or delivered to: Amcor's authorized service center. All postage, insurance and shipping charges are the responsibility of the Purchaser and are not included in this warranty.

AMCOR NEITHER ASSUMES NOR AUTHORIZES ANY PERSON TO ASSUME FOR IT ANY OTHER (LIABILITY IN CONNECTION WITH ITS PRODUCTS, THERE ARE NO WARRANTIES WHICH EXTEND BEYOND THE DESCRIPTION ON THE FACE HEREOF. NO RESPONSIBILITY IS ASSUMED FOR INCIDENTAL OR CONSEQUENTIAL DAMAGES THAT MAY RESULT FROM THE USE OF AN AMCOR PRODUCT, NOR FOR THE DAMAGES DUE TO ACCIDENT, ABUSE, LACK OF RESPONSIBLE CARE, THE AFFIXING OF ANY UNAUTHORIZED ATTACHMENT, LOSS OF PARTS, OR USE AT A VOLTAGE OTHER THAN SPECIFIED. Some states do not allow the exclusion of limitation of incidental or consequential damages, so these limitations may not apply to you.

Amcor disclaims all liabilities for defects or damages caused by use of replacement parts obtained from or by service at any service center other than Amcor's authorized service center.

This warranty gives you specific legal rights, and you may also have other rights which vary from state to state.

Product: **AMCOR Dehumidifier**

Model: AD 400E

Date Purchased: _____

Production Code: _____

QUESTIONS? Call 866-361-2233 · www.amcorgroupusa.com

Dear Customer: Please keep this warranty for your record. **DO NOT** return it.

UltraClean®



Dehumidifier

Owner's Manual

For model AD 400E



Leave upright at least 2 hours before use!

It is important that you read these instructions before using your new purchase and we strongly recommend that you keep them in a safe place for future reference.

Table of Contents

THANK YOU.....	1
<i>Important Safeguards</i>	1
SPECIFICATIONS.....	2
PARTS	3
SPECIAL FEATURES.....	4
<i>Automatic Dehumidification</i>	4
<i>Continuous Drainage</i>	4
<i>Air Filter</i>	4
OPERATION	5
<i>Control Panel</i>	5
<i>Operation Instruction</i>	5
<i>Humidity Setting</i>	5
<i>Alarm Indicator</i>	5
<i>Defrost</i>	5
<i>Installing the Drainage Hose</i>	6
<i>Maintaining Set Humidity Level</i>	6
MAINTENANCE	7
<i>How to Take Out the Filter</i>	7
<i>Cleaning the Filter</i>	7
<i>End of Season Storage</i>	7
TROUBLESHOOTING	9
WARRANTY	10

Troubleshooting

Never try to repair or dismantle the dehumidifier yourself. Tampering with the unit may result in the loss of warranty and can endanger the user and property.

Problem	Cause	Solution
The Unit Does Not Operate	No power supply.	Plug power cord firmly into outlet.
	Unit is not turned on.	Turn the unit on.
	Humidity is set lower than room humidity.	Set humidity higher.
Dehumidifying Capacity (moisture removal) low	Air filter is dirty and/or blocked.	Clean the filter.
	Ambient room temperature too low.	Increase the room temperature.
	Poor airflow circulation/obstruction.	Improve the airflow.
Relative Humidity setting not reached after long period of operation	Humidity is set lower than room humidity.	Set humidity higher.
	There are windows or doors opened.	Check that the doors and windows are closed.
	Area/room is too large for the capacity of the dehumidifier	
Alarm Indicator On	The condensation discharge hose is not positioned correctly or is bent	Check the hose is correctly positioned. Disconnect and reconnect the appliance.
Defrost Light On	Check if temperature is above 41°.	If temperature is not above 41°F and light still on, stop unit. Temperature is too low.
	Air filter is dirty.	Clean Air Filter.
	Air inlet/outlet grills are obstructed.	Clear Air Inlet/Outlet grills.

If you have any questions regarding the operation of the **AD 400 E** please contact **AMCOR** at **1-866-361-2233**

If this product is defective or not working properly, please **DO NOT** return to your retail store. Please contact **Amcor** for service or technical assistance

Amcor Inc.
www.amcorgroupusa.com

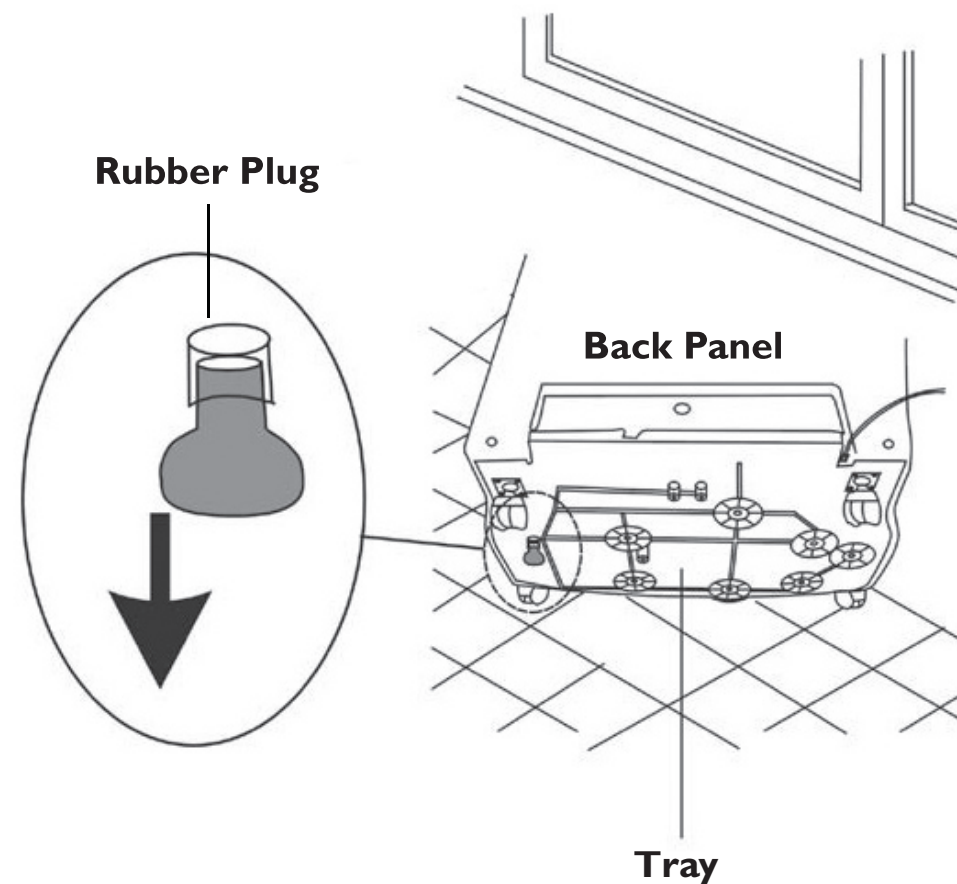
Maintenance - End of Season Storage

Draining the Water Tray

For storage or in case of pump failure and before moving.

To empty the internal tank remove the rubber plug under the unit.

After draining all the water, reinsert the rubber plug.



Thank You!

Thank you for choosing this Amcor Dehumidifier. This owner's Manual will provide you with valuable information necessary for the proper care and maintenance of your new appliance. If properly maintained, your dehumidifier will give you many years of trouble-free operation. Please take a few moments and read the instructions thoroughly and familiarize yourself with all of the operational aspects of this appliance.

Read all instructions before using this dehumidifier. To reduce the risk of fire, electric shock, or injury to persons when using your dehumidifier, follow basic safety precautions, including the following:

Important Safeguards

1. **After transporting the dehumidifier, wait 2 hours before using it.**
2. Do not store or use gasoline, oil, sulphur or other flammable vapors and liquids in the vicinity of this or any other appliance. Do not install the appliance near source of heat. Read product labels carefully. Common sense and caution must be used when installing, operating and maintaining any appliance.
3. This appliance must be used by adults only. Do not allow children to play with the appliance. Do not leave children unattended in an area where the appliance is operating. Do not allow them to sit or stand on the appliance.
4. This appliance is designed to dehumidify domestic living areas, and must not be used for other purposes. It must be operated in an enclosed area to be most effective. Close all doors, windows, and other outside openings to the room.
5. The appliance must not be modified in any way, as any modifications may be extremely dangerous.
6. Do not operate any appliance with a damaged cord or plug or after the appliance malfunctions, or has been damaged in any manner. Return appliance to the nearest authorized service facility for examination, repair or adjustment.
7. The use of accessory attachments is not recommended by the appliance manufacturer. It may cause injuries.
8. Do not use outdoors.
9. For your safety and protection, this dehumidifier is equipped with a three-prong grounding plug on the power cord. **Do not, under any circumstances, cut or remove the round grounding prong from the plug.**
10. Your dehumidifier must plug directly into a properly grounded and polarized three-prong outlet. If the wall outlet will not accept a three prong plug, or if you are not sure the outlet is adequately grounded or protected by a time delay (use or circuit breaker, have a qualified electrician install the proper outlet. **Do not use an extension cord or an adapter plug.**
11. Never unplug the dehumidifier by pulling on the power cord. Always grip the plug firmly and pull straight out from the outlet. Do not pinch, bend, or knot the power cord.
12. Always remove the plug from the socket before performing cleaning or maintenance operations and when not in use.
13. Do not place heavy or hot objects on the top of the appliance.
14. Clean the air filter every two weeks.
15. The appliance must always remain upright or laid on one side during transportation. Remember to drain the tank before transporting the appliance.

Specifications

Model Number	AD 400E
Power Supply	120V / 60Hz / 1 Phase
Power Consumption	446W / 3.92A
Humidity Removal Capacity	43.5 pints / Day
Refrigerant	R-22 / 11.8 oz.
Weight	46.3 lbs.
Dimensions	16"W x 28"D x 10"H

Maintenance

Always unplug the unit from the wall outlet before beginning cleaning.

The unit is equipped with a washable filter. Follow the instructions below to remove and clean it.

How to Remove Filter

Take out the air filter by pressing the top of the air inlet grill (as shown in fig.1).

Pull out the grill (fig.2) and extract the filter (fig.3).

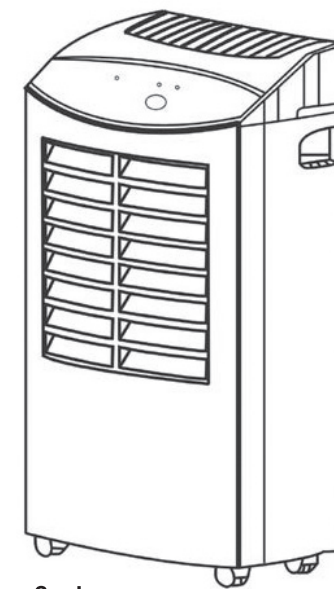


fig.1

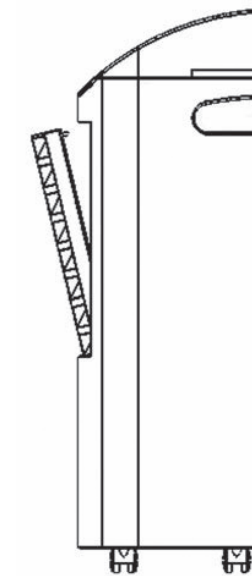


fig.2

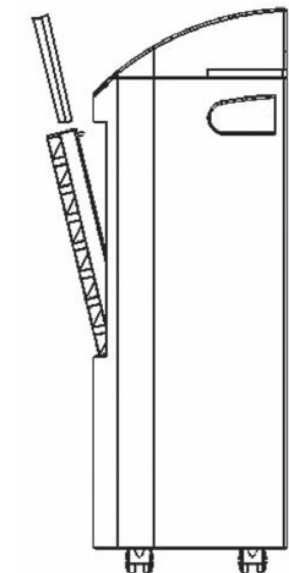


fig.3

Cleaning the Filter

- Wash filter in warm water.
- Shake out excess water, lay flat, away from heat, until thoroughly dry.
- Do not use hot water, solvents, detergent, or abrasive material to clean filter. This may damage the element.
- Clean filter every two weeks.

To clean the outside of unit, use moist cloth. Avoid detergent and abrasive wipes.

Special Features

1. Automatic Dehumidification

After setting the desired humidity, the unit will maintain the desired humidity automatically.

2. Continuous Drainage

In order to remove excessive moisture from the air, with a minimum amount of attention, the humidifier is equipped with a pump to continually discharge condensed water.

The continuous drainage point is high at the back of the unit, making it easy to reach and convenient to attach the supplied drainage tube. Water can be collected in a large container, or pumped to the outside.

3. Air Filter

The dehumidifier features a cartridge type washable air filter. To access it press the top of the front grill. Once cleaned, again press the front grill back into position to lock the filter in place.

IMPORTANT

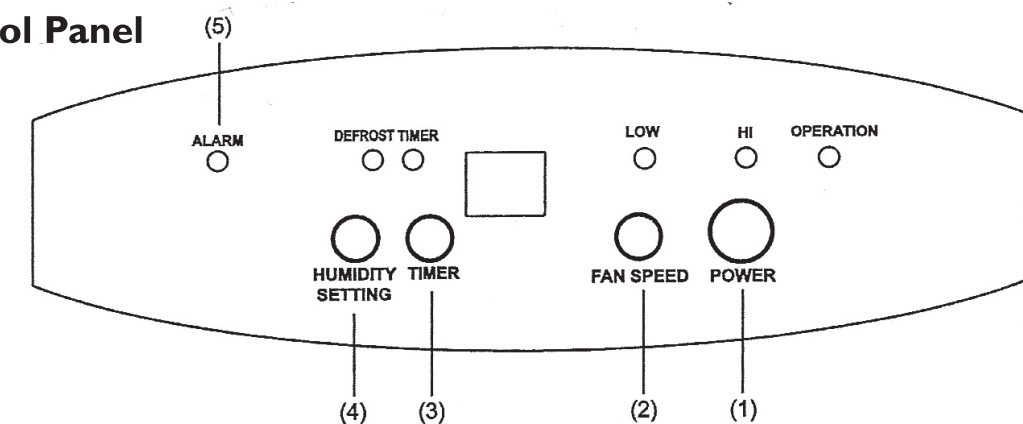
The operational temperature range for this unit is 41°F to 95°F.

This dehumidifier should not be used at temperatures below 41°F.

Running the unit above the temperature of 95°F will cause the compressor to stop as its over heat protector becomes activated.

Operation

Control Panel



Operation instruction

- 1. POWER KEY**
Press to turn unit "ON" or "OFF".
- 2. FAN SPEED**
Press to select fan speed "HI" or "LOW".
- 3. TIMER**
 - a. Press the "TIMER" key to set the time desired (1-24 hour).
 - b. Once the set time has come to an end, the unit will turn off automatically.
 - c. Pressing the "POWER" key before the set time has been reached, the set time will be canceled when the unit turns off.
- 4. HUMIDITY SETTING**
Press to select the Humidity desired (RH 80% / 70 % / 60 % / 50 % / or CONTINUOUS).
When the room humidity is less than the selected humidity, the unit will turn off automatically.
The unit will turn on automatically when the room humidity is higher than the selected humidity.
Actual Humidity and Indicated Humidity may vary by 5% (+ or -).
- 5. ALARM INDICATOR**
If this indicator illuminates, it means the water pump can not drain the water from the tank.
Check to see that the drain hose is not blocked or bent, restricting the water flow.
- 6. DEFROST**
Periodically the defrost light will come on to indicate that the ice that forms as part of the process at low room temperatures is being melted off the cold internal coil. It should go off once the coil is sufficiently frost free to continue effective dehumidification.

Operation

Installing The Drainage Hose

The drainage hose can be put into any suitable area where water can be emptied. The hose can be run under doors, through a hole in the wall, or through a vent. Attention should be given to the flow of the drained water to be sure it flows away from buildings and other objects that could be damaged.

CAUTION: The drainage hose MUST NOT be installed more than six (6) feet above the floor on which the unit is standing.

Maintaining Set Humidity Level

After setting the desired humidity, the unit will run automatically, maintaining the desired humidity.

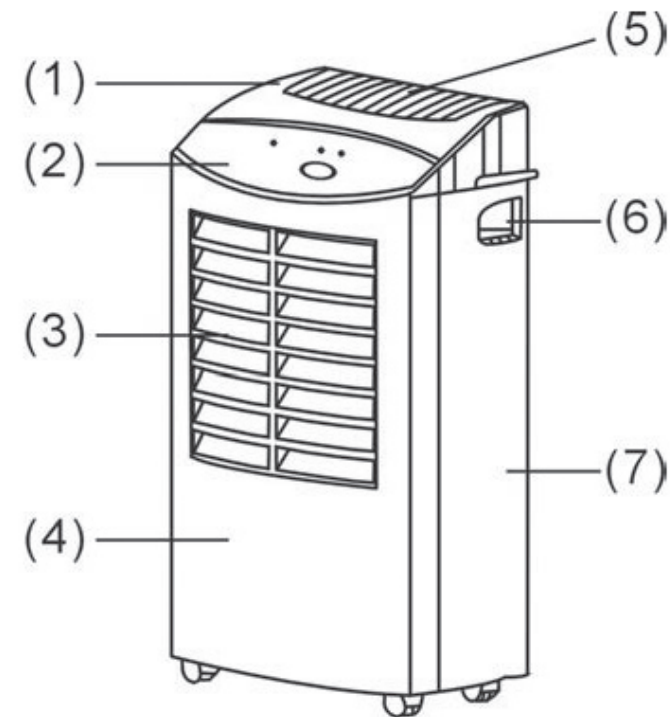
The Relative Humidity may be set from RH 40% to RH 70 %

The operational temperature for this unit is between 41°F and 95°F. If the temperature of the room falls below 41°F, the unit will stop. This function protects the compressor, and is normal.

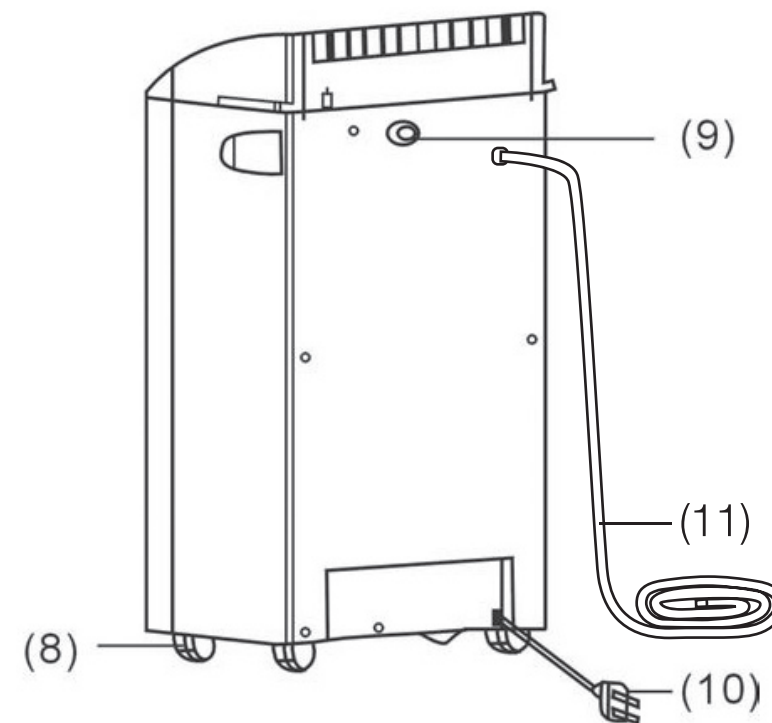
The unit will operate when the temperature is within the operational range.

When the unit is operating, heat is produced, this will increase the room temperature slightly. This is a normal condition.

Parts



1. Top Cover
2. Control Panel
3. Air Inlet
4. Front Panel
5. Air Outlet
6. Handle
7. Side Panel



8. Castor Wheel
9. Permanent Drain Outlet
10. Power Cord
11. Drain Hose

Free Manuals Download Website

<http://myh66.com>

<http://usermanuals.us>

<http://www.somanuals.com>

<http://www.4manuals.cc>

<http://www.manual-lib.com>

<http://www.404manual.com>

<http://www.luxmanual.com>

<http://aubethermostatmanual.com>

Golf course search by state

<http://golfingnear.com>

Email search by domain

<http://emailbydomain.com>

Auto manuals search

<http://auto.somanuals.com>

TV manuals search

<http://tv.somanuals.com>