



# Owner's Manual

## Portable Convection Heater Model AMH9



It is important that you read these instructions before using your new purchase and we strongly recommend that you keep them in a safe place for future reference.

# Table of Contents

Safety Instructions .....	1
Thank You! .....	2
Specifications .....	2
Assembly .....	3
Operation .....	4
Mounting .....	5
Maintenance .....	5
One Year Limited Warranty .....	6

**Don't forget to register your Amcor purchase online,  
and view our broad selection of innovative products.**

**[www.amcorgroupusa.com](http://www.amcorgroupusa.com)**

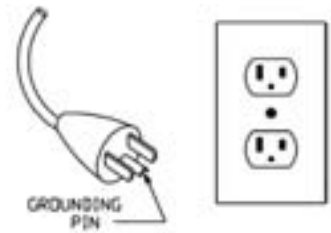
# Safety Instructions

When using electrical appliances, basic precautions should always be followed to reduce the risk of fire, electric shock, and injury to persons, including the following:

- Do not cover or obstruct top and bottom air vents of the heater.
- Read all instructions before using this heater.
- This heater is hot when in use. To avoid burns, do not let bare skin touch hot surfaces.
- Keep combustible materials, such as furniture, pillows, bedding, papers, clothes and curtains at least 3 feet (0.9m) from the front of the heater and keep them away from the sides and rear.
- Extreme caution is necessary when any heater is used by or near children or handicapped persons.

• **This heater is equipped with a grounded type plug (see illustration) and must be plugged into a grounded type outlet as shown.**

**This is a safety feature: DO NOT REPLACE THIS PLUG!**



- Always inspect power cord, and do not operate heater with a damaged cord or plug.
- DO NOT OPEN HEATER. There are no user serviceable parts inside.
- Do not use the heater if the cord or plug is damaged, or if the heater has malfunctioned, or if it has been damaged or dropped in any way. In such a case, return the heater to an authorized service facility for examination and/or repair.
- Do not use outdoors – for indoor use only.
- This heater is not intended for use in bathrooms, laundry areas, wet areas or similar indoors areas.
- Never locate heater where it may fall into a bathtub or other water containers.
- Do not run the heater cord under carpeting, or otherwise cover the cord. Make sure the cord is out of the way so that it does not pose a risk of tripping.
- Turn off heater before unplugging from the electrical outlet.
- Do not insert objects through the air vents of the heater as this may cause an electric shock or fire. To prevent fire do not block air intakes or exhaust in any manner.
- A heater has hot and arcing parts inside. Never use the heater in the vicinity where paint thinners, gasoline, paint or other flammable liquids are used or stored.
- Use this heater only as described in this manual. Any other use may cause injury to persons, or property damage, or electric shock.
- Avoid using an extension cord to power the heater because the extension cord may overheat and cause a risk of fire. However, if you have to use an extension cord, the cord shall be of a No. 14 AWG minimum size, and should be rated no less than 1875 watts.
- This heater draws 12.5 amps during operation. To prevent overloading a circuit, do not plug the heater into a circuit that is already being used to power other appliances.
- While it is normal for the heater's plug to feel warm to the touch, a loose fit between the plug and the electrical outlet may cause overheating and warping of the plug. If the outlet is loose, contact a qualified electrician to replace loose or worn outlets.
- Do not allow water to splash on the heater. If the heater appears to be damp, discontinue its use immediately.
- The output of this heater may vary and its temperature may become intense enough to burn exposed skin. Use of this heater is not recommended for persons with reduced sensitivity to heat or inability to react to avoid burns.
- Service of the heater other than cleaning should be performed by an authorized service center. No user serviceable parts inside. Only authorized service personnel shall handle repair work.
- The appliance has an internal over-temperature safety device, which automatically switches the heater off, if an over-heat situation is detected. Manually reset the unit once the heater cools off.
- When the unit cools off, if you notice the safety device still switches off the heater, unplug the unit, wait 30 seconds to a minute, and plug in again. This will trigger the unit and it will switch on.

# Thank You!

Thank you for purchasing an AMCOR Portable Convection Heater.

AMCOR is a leading brand in indoor air treatment. We would like you to enjoy the many benefits this unit offers, so please read this manual carefully and take full advantage of the many advanced features that your AMCOR Portable Heater offers you.

AMCOR has specialized in complete indoor environment control, manufacturing world-class heaters, air conditioners, dehumidifiers and air purifiers with innovative technology.

In designing these advanced products, we have listened carefully to our customers and have passed their views on to our research and development laboratories.

We wish you many years of enjoyable use.

After reading this manual, please keep it in a safe place for future reference.

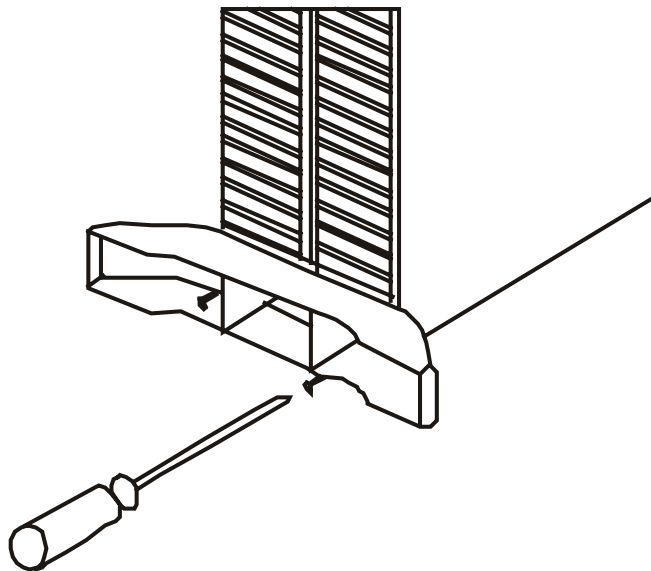
**Read this entire instruction manual before use.**

**Please keep your receipt. Your receipt is your Proof of Purchase and is necessary for warranty service.**

## Specifications

<b>Model</b>	<b>AMH9</b>
Turbo	Convector heater with thermostat and fan
Maximum Power	1500W
Power Range:	750W-1500W
Motor Power:	20W
Voltage:	120V~ / 60Hz

# Assembly



Before using the heater, attach the feet (included separately in the carton) to the unit.

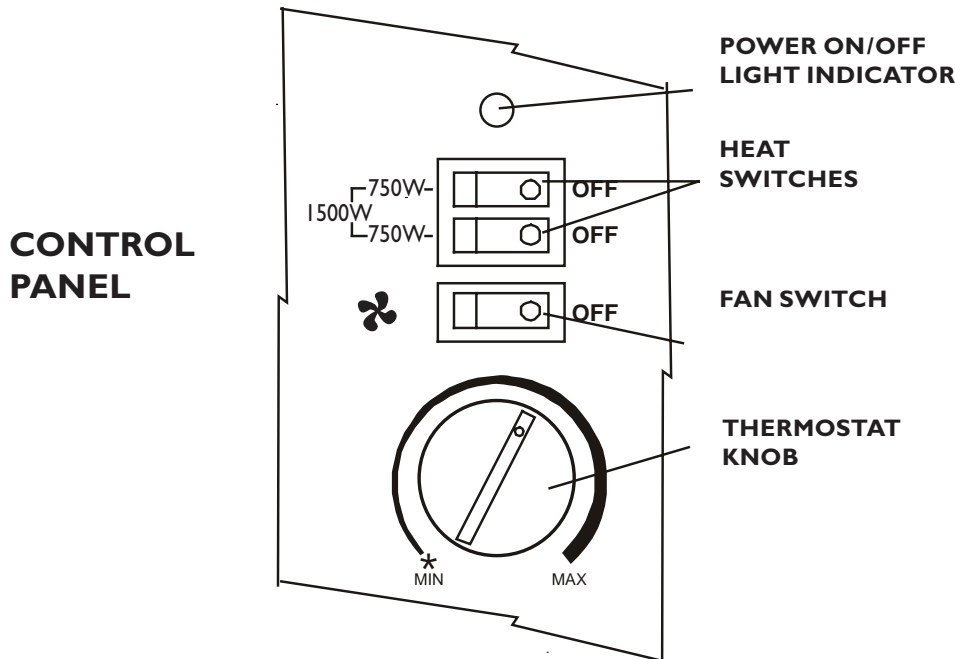
Attach to the base of the heater using the 4 self-tapping screws provided, taking care to ensure that they are located correctly in the bottom ends of the heater side moldings.



# Operation

## NOTE:

It is normal for the heater to emit some odor when it is turned on for the first time, or after having not been used for a long period of time. This will disappear when the heater has been on a short while.



- Choose a suitable location for the heater, taking into account the safety instructions above.
- Insert the plug of the heater into a suitable outlet, the POWER ON/OFF light indicator will be lit.
- Turn the thermostat knob fully in a clockwise direction to the maximum setting.
- Turn on the heating elements by means of the rocker switches on the front panel. When the heating elements are on, the switches will illuminate. For maximum heat output both switches should be on.
- When the desired room temperature has been reached, the lights on the element switches are seen to go out. After this, the heater will keep the air temperature in the room at the set temperature by switching on and off automatically.
- In its minimum (fully counter-clockwise) position. In this position (depending on the size of the room) the heater will maintain the temperature above freezing.

## Fan Operation

Fan operates by means of Fan Switch and when thermostat is set above room's temperature. Fan can be used to blow warm air into the room when heating element(s) are 'ON' or recycle the room's air when heating is 'OFF'.

# Mounting

## Wall Mounting

4 fixing brackets, 4 screws, and 4 plastic wall plugs are included so the heater may be mounted onto a wall.

If the heater will be mounted to the wall, do not attach the feet.

Choose the mounting location carefully. It must not be in front of, or below, a power outlet. It must not be below a shelf, curtains or any other obstruction. Also refer to the safety instructions.

After deciding on the location of the heater, it is necessary to drill 2 fixing holes 0.31" (8mm) by 1.7" (43mm) deep at 16.5" (419.1mm) apart on a horizontal line at a minimum of 15.75" (400.05mm) from the floor [shown (a)].

Allowance must be made for any floor coverings, carpet, etc., and if any base board molding is present, the fixing holes must be a minimum of 15.75" above the top edge of the molding.

Using the plastic plugs and fixing screws provided, attach two of the fixing brackets to the wall. The other pair of fixing brackets must be attached to the base of the heater using the feet retaining screws, so that the brackets project out at the rear of the heater and space the bottom edge away from the wall.

If required, these brackets may also be secured to the wall using the remaining fixing screws and plastic wall plugs. If this option is chosen, it is suggested that the heater be hung on the upper brackets and the hole positions for the lower brackets are then marked on the wall, prior to drilling the holes for attachment purposes.



# Maintenance

## Cleaning the Heater

- Always un-plug the heater from the wall outlet and allow it to cool down before cleaning.
- Clean the outside of the heater by wiping with a damp cloth and buff with a dry cloth.
- Do not use any detergents or abrasives and do not allow any water to enter the heater.

## Storing the Heater

When the heater is not used for long periods of time, it should be protected from dust and stored in a clean dry place.



## One Year Limited Warranty

Amcor, Inc. (“Amcor”) warrants the original retail purchaser (“Purchaser”) purchasing in the United States that the Amcor product with which this warranty is enclosed is free from defects in materials and workmanship.

Amcor’s sole obligation under this warranty is to replace, or at Amcor’s discretion, to repair, free of charge, all defective parts, for a period of one (1) year from date of original purchase. ANY IMPLIED WARRANTY OF MERCHANTABILITY IS SIMILARLY LIMITED TO ONE (1) YEAR FROM DATE OF ORIGINAL PURCHASE AND NO ACTION BASED UPON ANY IMPLIED WARRANTY OF MERCHANTABILITY OR OTHERWISE MAY BE COMMENCED AFTER EXPIRATION OF ONE (1) YEAR FROM DATE OF ORIGINAL RETAIL PURCHASE. Some states do not allow limitations on how long an implied warranty lasts, so the above limitation may not apply to you.

The provisions of this warranty shall not apply to any product which in Amcor’s judgment has been (1) subject to misuse or neglect. (2) damaged in an accident. (3) used for a purpose for which it was not designed, or (4) repaired or altered in any way that adversely affected its performance or reliability. **Do not attempt to “open unit”, except for filter replacement. Opening unit will void manufacturers warranty.**

To obtain warranty service, the defective product or part must be shipped or delivered to: Amcor the Manufacturer. **Shipping charges and insurance are only covered by Amcor during first 30 day period after purchase, solely for defective product.**

AMCOR NEITHER ASSUMES NOR AUTHORIZES ANY PERSON TO ASSUME FOR IT ANY OTHER ( LIABILITY IN CONNECTION WITH ITS PRODUCTS, THERE ARE NO WARRANTIES WHICH EXTEND BEYOND THE DESCRIPTION ON THE FACE HEREOF. NO RESPONSIBILITY IS ASSUMED FOR INCIDENTAL OR CONSEQUENTIAL DAMAGES THAT MAY RESULT FROM THE USE OF AN AMCOR PRODUCT, NOR FOR THE DAMAGES DUE TO ACCIDENT, ABUSE, LACK OF RESPONSIBLE CARE, THE AFFIXING OF ANY UNAUTHORIZED ATTACHMENT, LOSS OF PARTS, OR USE AT A VOLTAGE OTHER THAN SPECIFIED. Some states do not allow the exclusion of limitation of incidental or consequential damages, so these limitations may not apply to you. Amcor disclaims all liabilities for defects or damages caused by use of replacement parts obtained from or by service at any service center other than Amcor the Manufacturer.

This warranty gives you specific legal rights, and you may also have other rights which vary from state to state.

Product: **AMCOR Portable Convection Heater**

Model: AMH9

Date Purchased: \_\_\_\_\_

Production Code: \_\_\_\_\_

QUESTIONS? Call 1-800-367-9444

[www.amcorgroupusa.com](http://www.amcorgroupusa.com)

08/2008

913129100

Dear Customer: Please keep this warranty for your record.  
**DO NOT** return it.





# Manual del Usuario

## Calentador Portátil por Convección Modelo AMH9



Es importante que lea estas instrucciones antes de utilizar su nueva compra y le recomendamos ampliamente que las guarde en un lugar seguro para futuras referencias.

# Índice

Instrucciones de Seguridad .....	1
Gracias .....	2
Especificaciones .....	2
Ensamblaje .....	3
Funcionamiento .....	4
Montaje .....	5
Mantenimiento .....	5
Garantía Limitada .....	6

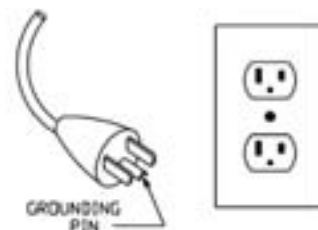
**No olvide registrar su producto Amcor en nuestra página de internet y ver nuestra amplia selección de productos innovadores.**

**[www.amcorgroupusa.com](http://www.amcorgroupusa.com)**

# Instrucciones de Seguridad

Para reducir el riesgo de incendios, descargas eléctricas, o lesiones al utilizar cualquier aparato eléctrico, siempre se deben tomar medidas de seguridad básicas, incluyendo las siguientes:

- No cubra, tape ni obstruya los conductos de aire superior e inferior del calentador.
- Lea todas las instrucciones cuidadosamente antes de usar el calentador.
- Este calentador se calienta durante su uso. Para evitar quemaduras no toque las superficies calientes de este calentador con las manos descubiertas o con cualquier parte del cuerpo sin protección.
- Mantenga los materiales combustibles, tales como, muebles, almohadas, ropa de cama, papeles, ropa y cortinas por lo menos a 3 pies (0.9mts) de distancia de la parte frontal del calentador y manténgalos fuera del área lateral y posterior del calentador.
- Se debe tener mucho cuidado cuando el calentador este siendo utilizado alrededor o cerca de niños pequeños o personas discapacitadas.
- **Este calentador está equipado con un enchufe a tierra (ver ilustración) y debe ser enchufado en una toma de corriente conectada a tierra como se muestra más abajo. Esta es una característica de seguridad. ¡NO REEMPLACE O CAMBIE ESTE ENCHUFE!**
- Revise siempre el cable de alimentación de energía, y no opere el calentador si el ordón o enchufe está dañado.
- **NO ABRA EL CALENTADOR.** El interior de la unidad contiene partes que no son de utilidad para el usuario.
- **NO** use el calentador si el cordón o enchufe están dañados, o después que la unidad haya funcionado mal, o si ha sido dañada o tirada al piso en cualquier forma. En este caso, devuelva el calentador a un establecimiento de servicio autorizado para su inspección y/o reparación.
- No utilice la unidad en el exterior, es sólo para uso interior.
- Este calentador no es para ser usado en baños, áreas de lavandería o cualquier otra área húmeda o vaporosa.
- Nunca coloque el calentador donde pueda caerse en una tina de baño u otros contenedores de agua.
- No extienda el cordón del calentador por debajo de alfombras o tapetes ni tampoco cubra el cordón. Asegúrese que el cordón esté fuera del camino y no presente riesgo de tropiezos.
- Apague el calentador antes de desenchufarlo de la toma de corriente.
- No meta objetos en los conductos/rejillas de aire del calentador ya que esto puede causar una descarga eléctrica o un incendio. Para prevenir un incendio no bloquee las entradas o salidas de aire en ninguna forma.
- El calentador contiene adentro piezas y partes calientes y con arco eléctrico. Nunca use el calentador cerca del área donde se use o guarde pintura, solvente de pintura, gasolina u otros líquidos inflamables.
- Sólo utilice este calentador como se especifica en este manual. Cualquier otro uso podría ocasionar lesiones a personas o daños a su propiedad o hasta descargas eléctricas.
- Evite el uso de cables de extensión para conectar la unidad ya que la extensión puede sobre calentarse y causar un riesgo de incendio. Sin embargo, si debe utilizar una extensión, el cable debe ser como mínimo de tamaño Núm. 14 AWG y debe ser clasificado con no menos de 1875 vatios.
- Este calentador toma 12.5 amperios durante su funcionamiento. Para prevenir que el circuito se sobrecargue, no enchufe la unidad en un circuito que ya se está usando para conectar otros electrodomésticos.
- Mientras que es normal que el enchufe del calentador se sienta caliente al tocarlo, algún cable suelto entre el enchufe y la toma de corriente puede causar sobrecalentamiento y deformación del enchufe. Si el enchufe esta suelto, contacte a un electricista calificado para cambiar enchufes o tomas de corrientes sueltas o desgastadas.
- No permita que agua salpique en el calentador. Si el calentador parece estar húmedo, interrumpa o suspenda su uso inmediatamente.
- La salida de este calentador puede variar y su temperatura puede llegar a ser lo suficientemente alta o intensa para quemar la piel expuesta. El uso de este calentador no es recomendable para personas con sensibilidad reducida al comer o inhabilidad de reaccionar para evitar o prevenir quemaduras.
- Cualquier tipo de servicio que no sea de limpieza debe llevarse a cabo por un centro de servicio autorizado. El interior de la unidad contiene partes que no son de utilidad para el usuario. Solamente personal de servicio autorizado deberá realizar el trabajo de reparación.
- El aparato tiene un dispositivo interno de la seguridad de la sobre-temperatura, que cambia automáticamente la calentadora lejos, si un recalienta la situación es discernida. Reponga manualmente la unidad una vez la calentadora se calma.
- Cuando la unidad se calma, si usted advierte que el dispositivo de la seguridad todavía apaga la calentadora, desenchufa la unidad, la espera 30 segundos a un minuto, y al tapón en otra vez. Esto provocará la unidad y encenderá.



# ¡Gracias!

Gracias por comprar un Calentador Portátil por Convección AMCOR.

AMCOR es una marca líder en el tratamiento del aire interior. Deseamos que usted disfrute los numerosos beneficios que esta unidad le ofrece, así que por favor lea detenidamente este manual y aproveche las muchas ventajas que su Calentador Portátil AMCOR le brinda.

Ancor se ha especializado en el control ambiental interior fabricando calentadores, aires acondicionados, deshumidificadores y purificadores de aire de clase y calidad mundial con tecnología innovadora.

En el diseño de estos productos tan avanzados, hemos prestado mucha atención a nuestros clientes y hemos indicado sus puntos de vista y opiniones a nuestros laboratorios de investigación y desarrollo.

Le deseamos que disfrute de este producto por muchos años.

Después de leer este manual, consérvelo en un lugar seguro para futuras referencias.

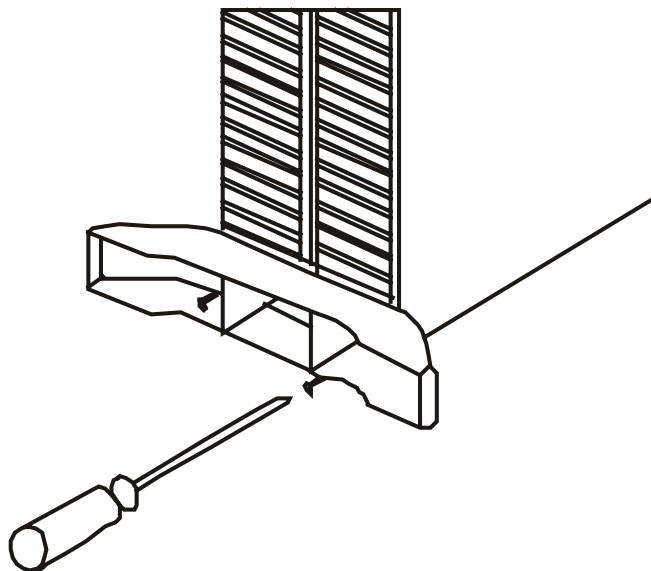
**Lea este manual de instrucciones en su totalidad antes de usar la unidad.**

**Por favor guarde su recibo de compra. Su recibo es su Comprobante de Compra y es necesario para el servicio de garantía**

## Especificaciones

<b>Modelo</b>	<b>AMH9</b>
Turbo	Calentador de convección con termostato y ventilador
Máximo de Corriente Eléctrica	1500W
Rango de Electricidad	750W – 1500W
Potencia del Motor	20W
Voltaje:	120V~ / 60Hz

# Ensamblaje



Antes de utilizar el calentador, sujete/ajuste los pies (incluidos por separado en la caja) a la unidad.

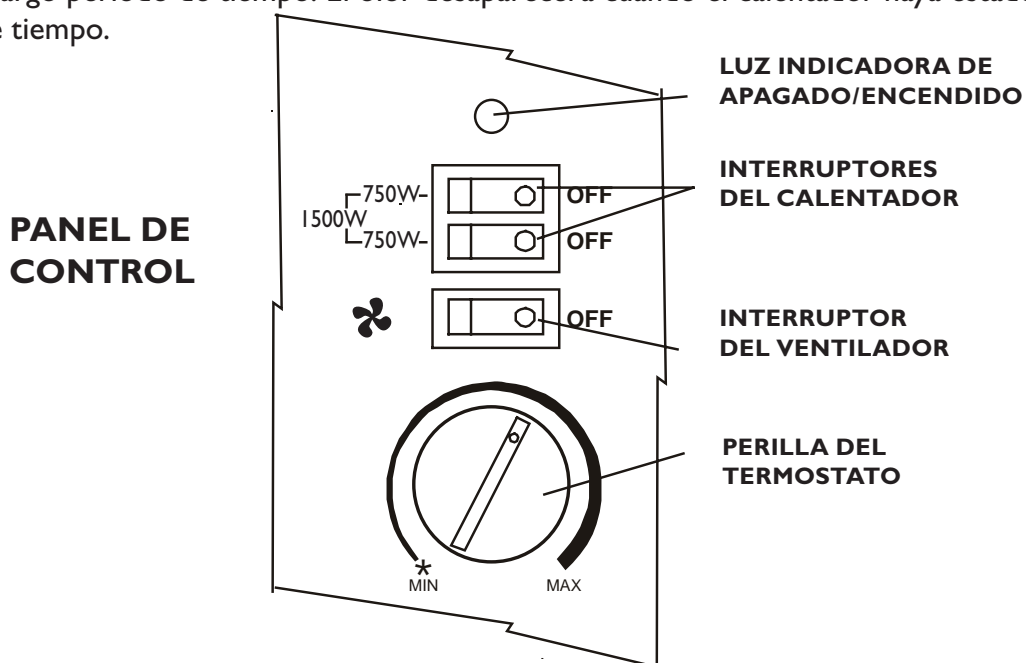
Sujete los pies a la base del calentador usando los 4 tornillos autorroscables proporcionados cuidando que sean colocados correctamente en los extremos inferiores de las molduras laterales del calentador.



# Funcionamiento

## NOTA:

Es normal que el calentador emita algún olor al encenderlo por primera vez, o después de no utilizarlo por un largo periodo de tiempo. El olor desaparecerá cuando el calentador haya estado prendido por un poco de tiempo.



- Seleccione un lugar adecuado para el calentador, tomando en cuenta las anteriores instrucciones de seguridad.
- Conecte el enchufe del calentador a una toma de corriente adecuada; la luz indicadora de APAGADO/ENCENDIDO se prenderá.
- Gire la perilla del termostato por completo hacia la derecha en la configuración más alta.
- Encienda los elementos de calentamiento mediante los interruptores basculantes en el panel **frontal**. Cuando los elementos de calentamiento estén encendidos, los interruptores se iluminarán. Para obtener una máxima salida de calor, ambos interruptores deben estar encendidos.
- Cuando se haya alcanzado la temperatura deseada, las luces de los interruptores de los elementos se apagarán. Después de esto, el termostato mantendrá la temperatura ambiental a la temperatura configurada apagándose y encendiéndose automáticamente.
- En su posición mínima (girada por completo hacia la izquierda). En esta posición (dependiendo del tamaño de la habitación) el calentador mantendrá la temperatura a nivel sobre congelación.

## Funcionamiento del Ventilador

El ventilador funciona por medio del Interruptor del Ventilador y cuando el termostato está configurado arriba de la temperatura ambiental.

El ventilador puede ser utilizado para echar/soplar aire caliente a la habitación cuando los elementos de calentamiento están ENCENDIDOS (ON) o para reciclar el aire en la habitación cuando los elementos de calentamiento están APAGADOS (OFF).

# Montaje

## Montaje en la Pared

Se incluyen 4 soportes de fijación, 4 tornillos y 4 tapones plásticos de pared, para que el calentador pueda ser montado en la pared.

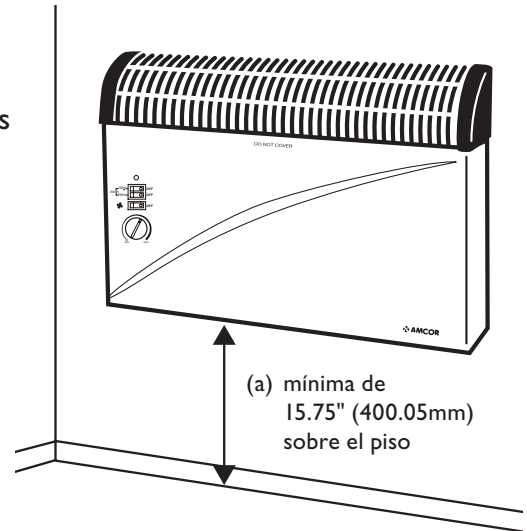
Si el calentador será montado en la pared, no le coloque ni ajuste los pies.

Seleccione cuidadosamente el lugar donde montará el calentador. No debe estar frente a, o debajo de una toma de corriente. No debe colocarse debajo de un estante o repisa, cortinas o cualquier otra obstrucción. Consulte las instrucciones de seguridad para más detalles.

Después de decidir el lugar donde colocará el calentador, será necesario taladrar 2 agujeros/hoyos de fijación de 0.31" (8mm) de diámetro por 1.7" (43mm) de profundidad en una línea horizontal de 16.5" (419.1mm) a una altura mínima de 15.75" (400.05mm) sobre el piso [indicado (a)].

Tome en cuenta cualquier tipo de tapiz o recubrimiento en el suelo, alfombras, etc., y si hay molduras presentes, los hoyos de fijación deben estar como mínimo a 15.75" sobre el borde superior de la moldura.

Si se requiere, estos soportes también pueden ser sujetados a la pared utilizando los tornillos de fijación y tapones plásticos de pared restantes. Si se elige esta opción, se recomienda que el calentador sea colgado en los soportes superiores y que las posiciones de los hoyos para los soportes inferiores sean marcados en la pared antes de taladrar los hoyos para sujetarlo a la pared.



# Mantenimiento

## Limpieza del Calentador

- Siempre desenchufe el calentador de la toma de corriente en la pared y permita que se enfríe antes de limpiarlo.
- Limpie el exterior del calentador con un paño o trapo húmedo y séquelo con un trapo seco.
- No utilice ningún tipo de detergentes o abrasivos y no permita que agua entre en el calentador.

## Almacenaje del Calentador

Cuando el calentador no sea utilizado por un largo periodo de tiempo, debe ser protegido del polvo y almacenado en un lugar limpio y seco.



## Garantía Limitada por Un Año

Amcor, Inc. ("Amcor") garantiza al comprador original del producto ("Comprador") que lo adquiere en los Estados Unidos que el producto Amcor en el que se incluye esta garantía está libre de defectos en materiales y mano de obra.

La única obligación de Amcor bajo esta garantía es reemplazar, o a discreción de Amcor, reparar, sin costo, todas las partes defectuosas, por un período de un (1) año a partir de la fecha de la compra original. CUALQUIER GARANTÍA IMPLÍCITA DE COMERCIABILIDAD ESTÁ DE IGUAL MANERA LIMITADA A UN (1) AÑO A PARTIR DE LA FECHA DE LA COMPRA ORIGINAL Y NINGUNA ACCIÓN BASADA SOBRE NINGUNA GARANTÍA IMPLÍCITA DE COMERCIABILIDAD O DE OTRO TIPO PUEDE SER INICIADA DESPUÉS DE QUE EXPIRE UN (1) AÑO DE LA FECHA DE LA COMPRA ORIGINAL. Algunos estados no permiten limitaciones sobre qué tanto tiempo dura una garantía implícita, por lo que la limitación anterior puede no ser aplicable a usted.

Las disposiciones de esta garantía no aplicarán a ningún producto el cual, a juicio de Amcor, haya sido (1) sujeto a mal uso o negligencia, (2) dañado en un accidente, (3) utilizado para algún propósito para el cual no fue diseñado, o (4) reparado o alterado de alguna manera que haya afectado desfavorablemente su desempeño o fiabilidad. **No intente "abrir la unidad", excepto para reemplazar el filtro. El abrir la unidad cancelará e invalidará la garantía del fabricante.**

Para obtener el servicio de garantía, el producto o parte defectuosa debe ser enviada o entregada a: Amcor, el fabricante. **Los cargos de envío y seguro son sólo cubiertos por Amcor durante el periodo de los primeros 30 días después de la fecha de la compra original, y exclusivamente para productos defectuosos.**

AMCOR NO ASUME NI AUTORIZA A NINGUNA PERSONA A QUE ASUMA POR ELLA NINGUNA OTRA RESPONSABILIDAD EN CONEXIÓN CON SUS PRODUCTOS, NO HAY GARANTÍAS QUE SE EXTIENDAN MÁS ALLÁ DE LA DESCRIPCIÓN DEL TEXTO PRESENTE. NO SE ASUME NINGUNA RESPONSABILIDAD POR DAÑOS INCIDENTALES O CONSECUENTES QUE PUEDAN RESULTAR DEL USO DE UN PRODUCTO AMCOR, DAÑOS DEBIDOS A UN ACCIDENTE, ABUSO, FALTA DE CUIDADO RESPONSABLE O POR FIJAR ACCESORIOS NO AUTORIZADOS, PÉRDIDA DE PARTES O AL UTILIZARLO CON UN VOLTAJE DIFERENTE DEL ESPECIFICADO. Algunos estados no permiten la exclusión de limitación de daños incidentales o consecuentes, por lo que estas limitaciones pueden no ser aplicables a usted. Amcor rechaza cualquier responsabilidad por defectos o daños causados por el uso de partes de repuesto obtenidas a través de o por un servicio en cualquier centro de servicio que no sea Amcor, el fabricante.

Esta garantía le otorga derechos legales específicos y usted puede también tener otros derechos los cuales varían de estado a estado.

Producto: **Calentador Portátil por Convección AMCOR** Modelo: AMH9

Fecha de compra: \_\_\_\_\_ Código del Producto: \_\_\_\_\_

¿PREGUNTAS? Llame al 1-800-367-9444

[www.amcorgroupusa.com](http://www.amcorgroupusa.com)

Estimado Cliente: Por favor guarde esta garantía para su archivo.  
**NO** la devuelva.





## Le Manuel du Propriétaire

# Le Chauffe Air Portabler

## Le Modèle AMH9



C'est important que vous lisiez ces instructions avant d'utiliser votre nouvel achat. Nous recommandons fortement que vous les gardiez dans un endroit sûr pour la référence future.

# La Table des Matières

Les Instructions de Sûreté .....	1
Merci! .....	2
Les Spécifications .....	2
L'assemblée .....	3
L'opération .....	4
Le Montage .....	5
L'entretien .....	5
Une Garantie Limitée d'Un An .....	6

**N'oubliez pas d'enregistrer votre achat du Amcor en ligne.**

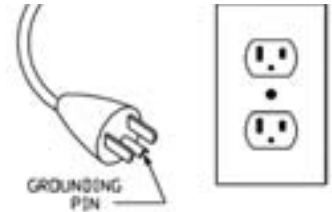
**Broutez notre vaste collection de produits innovants.**

**[www.amcorgroupusa.com](http://www.amcorgroupusa.com)**

# Les Instructions de Sûreté

Lors de l'utilisation d'appareils électriques, les précautions élémentaires devraient toujours être entendues afin de réduire le risque de l'incendie, du choc électrique et de la blessure. Observez les précautions suivantes:

- Ne pas recouvrir ou d'entraver le haut et le bas du ventilateur d'air de l'appareil.
- Lisez toutes les instructions avant l'utilisation de cette unité.
- L'appareil de chauffage est chaud quand il est en usage. Pour éviter les brûlures, ne laissez pas la peau nue de toucher la surface chaude.
- Gardez les matériaux combustibles, comme les meubles, les oreillers, la literie, les papiers, les vêtements et les rideaux au moins 3 pieds (0,9 m) à l'avant de l'unité et sur les côtés et de l'arrière.
- La prudence extrême est nécessaire lorsque tout appareil de chauffage est utilisé par ou est utilisé près des enfants ou les personnes handicapées.
- L'appareil est équipé d'une prise de terre (Voir la photo). Elle doit être branché sur un type de réceptacle à terre comme sur l'illustration. C'est une mesure de sécurité. (NE PAS REMPLACER CETTE PRISE).
- Inspecter toujours le cordon d'alimentation, et ne pas utiliser l'appareil avec un cordon ou avec un plug qui est endommagé.
- NE PAS OUVRIR L'UNITE. À l'intérieur, il n'existe pas de pièces qui sont de service à l'utilisateur.
- Ne pas utiliser l'appareil de chauffage si le cordon ou si la fiche est endommagée. Ne pas utiliser si l'appareil a mal fonctionné. Ne pas utiliser si l'appareil a été endommagé de quelque manière que ce soit ou si l'appareil tombe. Dans un tel cas, retournez l'appareil à un établissement de service autorisé pour un examen et / ou une réparation.
- Ne pas utiliser en plein air - pour utilisation en intérieur seulement.
- L'appareil de chauffage n'est pas prévu pour l'utilisation dans les salles de bain, les buanderies, les zones humides ou à l'intérieur des zones qui sont similaires.
- Ne jamais placer l'appareil de chauffage où il pourrait tomber dans une baignoire ou dans d'autres conteneurs d'eau.
- Ne pas déposer l'appareil de chauffage cordon sous la moquette ou autrement couvrir le cordon. Assurez-vous que le cordon d'alimentation est hors de manière qu'il ne pose pas un risque de déclenchement.
- Éteignez l'appareil de chauffage avant de le débrancher de la prise électrique.
- Ne pas insérer d'objets dans l'air ventilateur de l'appareil de chauffage, car cela peut causer un choc électrique ou de provoquer un incendie. Pour éviter un incendie, ne bloquez pas les ventilateurs de l'air ou les gaz d'échappement.
- L'appareil a les éléments intérieurs qui sont chauds et sont arc électrique. N'utilisez jamais l'appareil de chauffage dans les environs où les diluants à peinture, l'essence, la peinture ou d'autres liquides inflammables sont utilisés ou sont stockés.
- Utilisez l'appareil de chauffage seulement comme il est décrit dans ce manuel. Tout autre utilisation peut causer le préjudice physique, les dommages de propriété, ou le choc électrique.
- Évitez l'utilisation d'une rallonge électrique pour alimenter l'appareil de chauffage parce que la rallonge peut surchauffer et causer un risque d'incendie. Toutefois, si vous devez utiliser une rallonge, le cordon doit être d'un numéro 14 AWG taille minimale, et il doit être évalué pas moins de 1875 watts.
- L'appareil de chauffage attire 12,5 ampères au cours de son application. Pour éviter une surcharge du circuit, ne pas brancher l'appareil de chauffage dans un circuit qui est déjà utilisé pour d'alimenter d'autres appareils.
- S'il est normal que la prise de l'appareil de chauffage à se sentir chaud au toucher, un raccord desserré entre la prise et la sortie électrique peut provoquer la surchauffe et la déformation de la prise de l'appareil de chauffage. Si la sortie électrique est desserrée, contactez un électricien qualifié afin de remplacer les sorties électriques qui sont lâches ou sont usées.
- Ne pas laisser les éclaboussures de l'eau sur l'appareil de chauffage. Si l'appareil de chauffage semble être humide, vous devez cesser immédiatement son utilisation.
- La sortie de l'appareil de chauffage peut varier et sa température peut devenir assez intense pour brûler la peau exposée. L'utilisation de l'appareil de chauffage n'est pas recommandée pour les personnes avec la réduction de la sensibilité à la chaleur ou l'incapacité d'éviter d'être brûlés.
- Le service de l'appareil sauf pour le nettoyage doit être effectué par un centre de service autorisé. Il n'existe pas de parties à l'intérieur qui sont de service à l'utilisateur. Seul le personnel autorisé devrait faire les travaux de réparation.
- L'appareil a un appareil de sécurité de sur-température interne, qui change automatiquement l'appareil de chauffage de, si un surchauffer la situation est détectée. Manuellement remettre à l'état initial l'unité une fois l'appareil de chauffage se refroidit.
- Quand l'unité se refroidit, si vous remarquez l'appareil de sécurité commutateurs calmes de l'appareil de chauffage, débranchez l'unité, l'attente de 30 seconde à une minute, et un bouchon dans encore. Ceci déclenchera l'unité et il allumera.



# Merci!

Merci pour l'achat Le Chauffe Air Portable d'AMCOR.

AMCOR est une marque principale dans le traitement de l'air intérieur.

Nous aimerions que vous appréciiez les beaucoup d'avantages que cette unité offre, donc s'il vous plaît lisez ce manuel soigneusement et prenez l'avantage plein des beaucoup de caractéristiques avancées que votre GLOBAL Climatiseur Portatif vous offre.

AMCOR spécialisé dans le contrôle complet de l'environnement intérieur.

Nous fabriquons des appareils de chauffage, les climatiseurs, les humidificateurs et les purificateurs d'air. Nous utilisons la technologie innovatrice supérieure.

Alors que le concevoir de ces produits avancés, nous avons écouté soigneusement à nos clients et nous avons donné leurs recommandations à nos laboratoires de la recherche et le développement.

Nous vous souhaitons beaucoup des années de l'usage agréable.

Après la lecture de ce manuel, s'il vous plaît le gardez dans un endroit sûr pour la référence avenir.

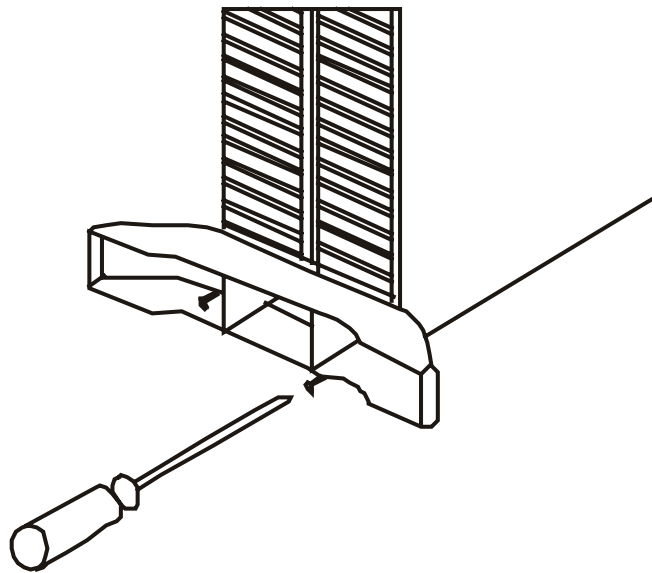
**Lisez ce manuel d'instruction entièrement avant l'utilisation.**

**S'il vous plaît garder votre facture de vente. Votre facture de vente est votre preuve d'achat et est nécessaire pour le service de garantie.**

## Les Spécifications

<b>Le Modèle</b>	<b>AMH9</b>
La Turbine	Le Convecteur Chauffe Air avec le thermostat et le ventilateur
La Puissance Maximum	1500W
La Plage de Puissance	750W – 1500W
La Puissance du Moteur	20W
Le Voltage	120V~ / 60Hz

# L'assemblée



Avant d'utiliser l'appareil, joindre les pieds (inclus séparément dans la boîte) à l'unité.

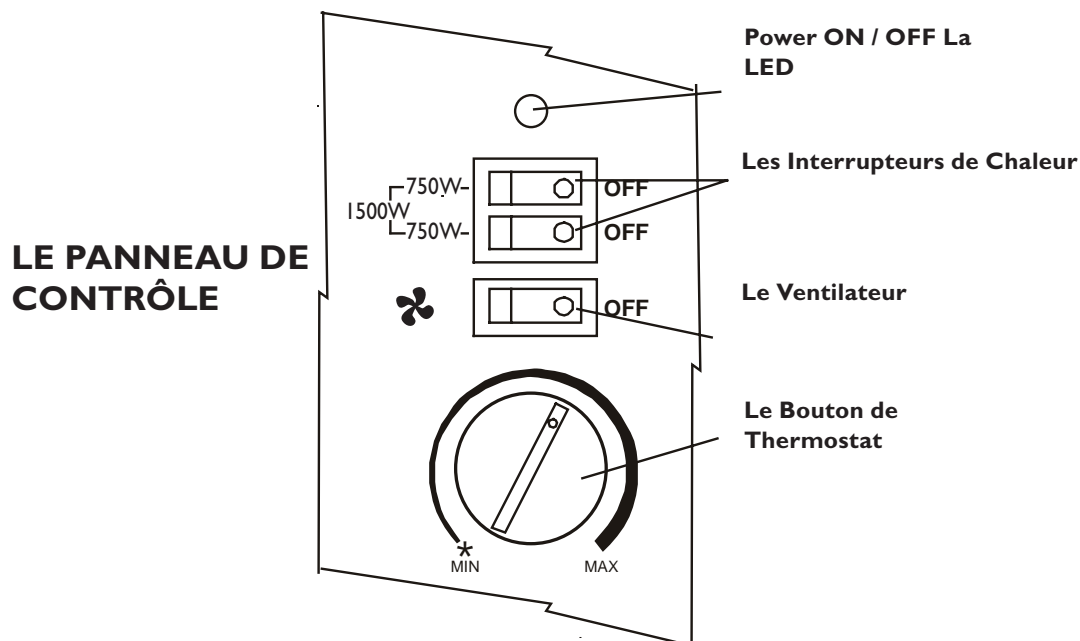
Fixez les pieds de chaque côté de la base de l'appareil en utilisant les 4 vis qui sont fournis. Vérifiez qu'ils sont correctement vissés dans le côté moulures.



# L'opération

## ATTENTION:

Il est normal de l'appareil à émettre une odeur quand il est allumé pour la première fois ou si elle n'a pas été utilisée pendant une longue période de temps. Ce désagrément disparaîtra après l'appareil a été allumé pendant un court moment.



- Choisissez un emplacement convenable pour l'appareil. Prendre en compte les consignes de sécurité ci-dessus.
- Insérez la fiche de l'appareil sur une prise qui convient. Le POWER ON / OFF La LED sera allumé.
- Tournez le thermostat aiguilles d'une montre au maximum.
- Mettez en marche les éléments de chauffage avec les interrupteurs sur le panneau à l'avant. Lorsque les éléments de chauffage fonctionnent, les commutateurs s'allument. Pour la production de chaleur maximale, mettez en marche les deux des aiguilles.
- Lorsque la température de la chambre a été atteinte, les feux sur les commutateurs de l'élément s'éteignent. Après cela, l'appareil conservera la température de l'air dans la chambre à la température désignée en allumant et en éteignant automatiquement.
- Dans sa position minimum (complètement le sens anti-horaire). Dans cette position (en fonction de la taille de la pièce), l'appareil se maintient au-dessus de la température de congélation. Dans sa position maximum (complètement le sens horaire). Dans cette position (en fonction de la taille de la pièce), l'appareil se maintient au-dessus de la température de congélation.

## Le Fonctionnement du Ventilateur

Par le Fan Switch, le ventilateur fonctionne lorsque le thermostat est réglé au-dessus de la température de la pièce.

Le ventilateur peut être utilisé pour ventiler la chambre avec l'air chaud lorsque l'appareil est positionné à « ON » ou de recycler l'air dans la chambre quand l'appareil est positionné à « OFF ».

# Le Montage

## Le Montage Sur Le Mur

4 supports, 4 vis, et 4 bouchons de plastique pour le mur sont inclus afin que l'appareil puisse être monté sur un mur.

Si l'appareil était monté sur le mur, ne pas joindre les pieds.

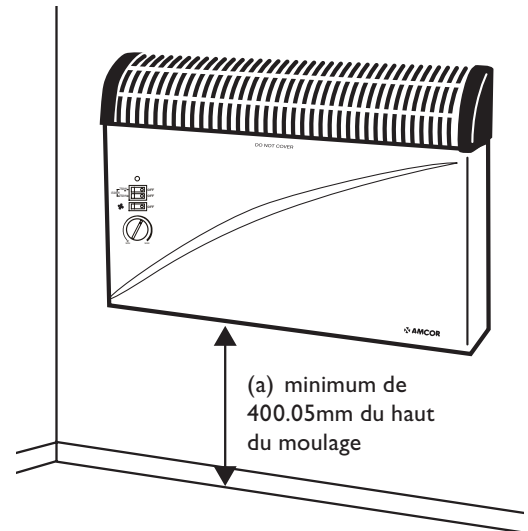
Choisissez soigneusement l'emplacement du montage. Il ne doit pas être en face de, ou au-dessous, une prise de pouvoir. Il ne doit pas être placé au-dessous d'un plateau, des rideaux ou de tout autre type d'obstruction. Lisez les instructions de sécurité.

Après la désignation de l'emplacement de l'appareil, il est nécessaire de percer 2 trous d'appui qui sont de 8 mm de diamètre et de 43 mm de profondeur. Les trous de soutien devraient être de 19 pouces sur une ligne horizontale et devrait être placé à une hauteur minimale de 419.1 mm de la surface de plancher. Il faut tenir compte de tous revêtements du plancher ou au tapis. Si une plinthe de moulage est présente, les trous de soutien doivent être forés à un minimum de 400.05mm du haut du moulage.

Utilisez les bouchons en plastique et les vis de soutien qui sont prévues pour joindre deux appareil de soutien au mur. Les 2 autres appareils de soutien doivent être joints à la base de l'unité avec les vis pour les pieds. Les appareils de soutien doit s'étendre vers l'extérieur de l'arrière de l'unité afin de fournir un espace entre l'appareil et le mur.

Si nécessaires, ces appareils de soutiens peuvent également être fixés sur le mur en utilisant les vis de soutien et les bouchons en plastique qui sont inutilisées. Si cette option est choisie, il est suggéré que, avant le forage des trous aux fins de montage:

1. L'unité devrait être monté sur les appareils de soutien au sommet.
2. Les positions des trous pour les appareils de soutiens au bas devrait être marqué sur le mur.



# Le Maintenance

## Le Nettoyage de L'unité

- Débranchez toujours l'appareil de la prise murale et laissez refroidir avant de le nettoyer.
- Pour nettoyer l'extérieur de l'unité, essuyer avec un chiffon humide, puis polir avec un chiffon sec.
- Ne nettoyez pas avec des détergents ou avec d'autres produits abrasifs.  
Ne permettez pas l'eau de pénétrer dans l'unité.

## Le Stockage de L'appareil

Lorsque l'appareil n'est pas utilisé pour les périodes longues, il devrait être protégé contre la poussière et doit être stocké dans un endroit qui est propre et sec.



## Une Garantie Limitée d'Une Année

Amcor, Inc. (« Amcor ») mérite l'acheteur original du produit (l' « Acheteur ») qui achète aux Etats-Unis qui le produit d'Amcor avec lequel cette garantie est enclose est libre des défauts dans les matériels et dans l'exécution.

Le devoir seul d'Amcor sous cette garantie est de remplacer, ou à la discrétion d'Amcor, réparer, gratuitement, toutes les parties défectueuses, pour une période de l'un (1) l'année de la date de l'achat original. LA GARANTIE IMPLICITE DE LA VALEUR MARCHANDE EST LIMITEE DE MEME A L'UN (1) L'ANNEE DE LA DATE DE L'ACHAT ORIGINAL ET AUCUNE ACTION QUI EST BASE SUR LA GARANTIE IMPLICITE DE VALEUR MARCHANDE PEUT ETRE COMMENCE APRES L'EXPIRATION DE L'UN (1) L'ANNEE DE LA DATE DE L'ACHAT DE PRODUIT ORIGINAL. Quelques états ne permettent pas de limitation sur comment longtemps une garantie implicite dure, donc la limitation ci-dessus mentionnée ne peut pas vous vous appliquer.

Les provisions de cette garantie ne s'appliqueront pas au produit qui dans le jugement d'Amcor a été (1) employé improprement ou a été négligé, (2) endommagé dans un accident. 3) utilisé pour un but pour lequel il n'a pas été conçu, (4) réparé ou a été changé de quelque façon qu'a affecté défavorablement son exécution ou sa fiabilité. **Ne tentez pas d'ouvrir l'unité, sauf le remplacement du filtre. L'ouverture de l'unité annulera la garantie du fabricant.**

Pour obtenir le service de garantie, le produit défectueux ou la partie défectueuse doit être expédié ou doit être livré au fabricant, Amcor. **Les charges d'expédition et l'assurance sont seulement couvertes par Amcor pendant la première période de 30 jours après l'achat, seulement pour le produit défectueux.**

AMCOR NI SUPPOSE NI AUTORISE N'IMPORTE QUELLE PERSONNE POUR SUPPOSER AUCUNE AUTRE RESPONSABILITE A PROPOS DE SES PRODUITS. IL N'Y A PAS DE GARANTIE QUI S'ETENDENT AU DELA DE LA DESCRIPTION SUR LA VISAGE DU PRESENT DOCUMENT. AUCUNE RESPONSABILITE EST SUPPOSEE POUR L'ACCESSOIRE OU LES DOMMAGES CONSEQUENTS QUI RESULTENT DE L'USAGE D'UN PRODUIT D'AMCOR, NI POUR LES DOMMAGES EN RAISON DE L'ACCIDENT, L'ABUS, LE MANQUE DE SOIN RESPONSABLE, L'APPOSER D'ATTACHEMENT INAUTORISE, LA PERTE DE PARTIES, OU L'USAGE DE TENSION AUTREMENT QUE SPECIFIE. Quelques états ne permettent pas l'exclusion de la limitation de dommages accessoires ou conséquents, donc ces limitations ne peuvent pas vous vous appliquer. Amcor désavoue toutes responsabilités pour les défauts ou les dommages causé par l'usage des parties de remplacement a obtenu de ou par le service à n'importe quel centre de maintenance autrement que au fabricant, Amcor.

Cette garantie vous donne des droits légaux spécifiques, et vous pouvez avoir aussi d'autres droits qui varie dans les états différents

Produit: **AMCOR Une Unité de Chauffage Pour** Modèle: AMH9  
**l'Installation des Murs/ Une Unité de Chauffage Portatifs**

La Date d'Achat: \_\_\_\_\_ Le Code de Production: \_\_\_\_\_

Cher Client : S'il vous plaît, gardez cette garantie pour votre rapport.

**Ne le retournez pas.**



## Free Manuals Download Website

<http://myh66.com>

<http://usermanuals.us>

<http://www.somanuals.com>

<http://www.4manuals.cc>

<http://www.manual-lib.com>

<http://www.404manual.com>

<http://www.luxmanual.com>

<http://aubethermostatmanual.com>

Golf course search by state

<http://golfingnear.com>

Email search by domain

<http://emailbydomain.com>

Auto manuals search

<http://auto.somanuals.com>

TV manuals search

<http://tv.somanuals.com>