

S-1500/DMX™ 1500W DMX Strobe Light

CAUTION! Read instructions before installing or plugging unit in.

SPECIFICATIONS: MODEL - S-1500/DMX™

Weight: 9 lbs.
Size: 16.5" x 8.75" x 4.75"
Lamp: ZB-1500
Voltage: 220V/50Hz
Working Position: Any Safe position
Fuse: 16A Circuit breaker
Power Draw: 1500W
Connection: XLR
Flash Rate: 15 flashes per second flash
Tube Life: 500,000 Flashes

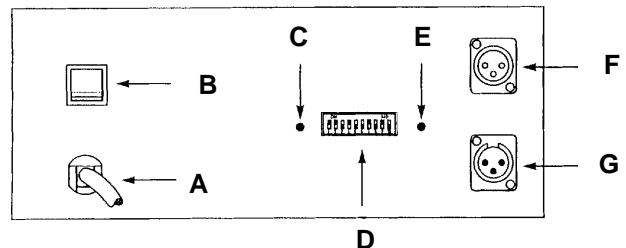


Thank you for purchasing the S-1500/DMX!

Here are a few tips before getting started.

General Functions (REAR):

- A. **POWER INPUT:** AC 220V/50Hz, 16A
- B. **CIRCUIT BREAKER:** 16A
- C. **POWER INDICATOR:** Lights when power is ON
- D. **DMX DIP SWITCH SETTINGS:** By assigning dip switch 10 to ON, unit goes to "DMX Pack Mode". Follow DMX addressing printed on the rear of this Instruction Manual for desired speed and dimming settings. By assigning dip switch 10 to OFF, unit goes to "DMX Self-test Mode". Follow "Self-test" settings printed on rear to select desired chase.
- E. **DMX INDICATOR:** Indicates when DMX is effective.
- F. **DMX SIGNAL OUTPUT:** XLR female socket used to connect to next DMX fixture.
- G. **DMX SIGNAL INPUT:** XLR male socket used to receive DMX signals.



Operating Instructions:

1. Unit is ready to be hung or set on flat surface. We suggest the use of safety cable (not provided) when hanging unit. The S-1500 /DMX plugs direct into 220V. Make sure power configuration is correct.
2. Plug in power cord to turn unit ON.
3. This unit has two operation modes: "DMX Self-test Mode" and "DMX Pack Mode".
4. Switch dip switch 10 to the OFF position, the unit goes to "DMX Pack Mode". There are 2 "Self-test" modes: AUTO and MANUAL. Set dip switch 9 to OFF, it performs "AUTO Self-test". When strobe flashes within the dimming range from 0% to 100% and then from 100% to 0%, a slower or faster speed will be executed. The strobe will flash at regular speed corresponding to the dimmer duration. Set dip switch 9 to ON, it will then

Affordable Quality Lighting Products from *American DJ®* Los Angeles, CA 90058 USA

Operating Instructions (Cont.):

enter "MANUAL Self-test". Dip switch 1, 2, 3, and 4 may assigned to control Speed (1 = slowest, 4 = fastest). Dip switch 5, 6, 7 and 8 may be assigned to control dimming (5 = dimmest, 8 = brightest).

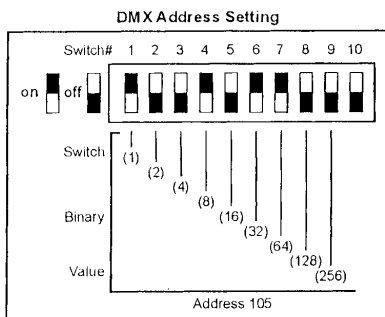
- Switch dip switch 10 to the ON position, unit goes to "DMX Pack Mode". Follow "DMX Pack Mode" address settings below for desired speed and dimming.
- For safety disconnect power cable when not in use.

WARNING:

- Avoid direct eye exposure.
- Disconnect from main power before replacing lamps or servicing unit.
- Always with same lamp and fuse.
- To prevent fire or shock hazard, do not expose unit to rain or moisture.

DIP SWITCH SETTINGS:

"DMX PACK MODE"



DMX Address table (Dipswitch10=ON)

START CH#	SWITCHS ON	START CH#	SWITCHS ON
1	1	11	1, 2, 4
2	2	12	3, 4
3	1, 2	13	1, 3, 4
4	3	14	2, 3, 4
5	1, 3	15	1, 2, 3, 4
6	2, 3	16	5
7	1, 2, 3	:	:
8	4	:	:
9	1, 4	:	:
10	2, 4	511	1,2,3,4,5,6,7,8,9

"SELF-TEST MODE"

Self-test (Dipswitch10=OFF)

MANUAL		AUTO	
Dipswitch	Function	Dipswitch	Function
9	ON	9	OFF
1~4	SPEED	1~8	RANDOM
5~8	DIMMER		

"MANUAL SELF-TEST MODE"

Speed and dimming are classified as 16 levels respectively.



SPEED

Level	Dip switch 1 2 3 4	Speed
1	□ □ □ □	Slowest
2	■ □ □ □	
3	■ ■ □ □	
4	■ ■ ■ □	
5	■ ■ ■ ■	
6	■ □ □ □	
7	■ □ ■ □	
8	■ □ ■ ■	
9	■ ■ □ □	
10	■ ■ ■ □	
11	■ ■ ■ ■	
12	■ □ □ □	
13	■ □ ■ □	
14	■ □ ■ ■	
15	■ ■ □ □	
16	■ ■ ■ ■	Fastest

DIMMING

Level	Dip switch 5 6 7 8	Dimmer
1	□ □ □ □	Min.
2	■ □ □ □	
3	■ ■ □ □	
4	■ ■ ■ □	
5	■ ■ ■ ■	
6	■ □ □ □	
7	■ □ ■ □	
8	■ □ ■ ■	
9	■ ■ □ □	
10	■ ■ ■ □	
11	■ ■ ■ ■	
12	■ □ □ □	
13	■ □ ■ □	
14	■ □ ■ ■	
15	■ ■ □ □	
16	■ ■ ■ ■	Max.

DO NOT OPERATE CONTINUOUSLY ON MAXIMUM SPEED FOR MORE THAN 15 MINUTES!

Maintenance:

Caution! Never open unit when in use. Always disconnect main power before serving or replacing lamp. Wait 30 minutes before changing the lamp. Remember always replace same lamp and fuses. There are no serviceable parts!

Lamp replacement:

Disconnect power. Remove the front cover and replace lamp with model ZB-1500. Do not touch new lamp with bare hands. Use a clean cloth when handling lamp. This will ensure long life of lamp.

Service:

For service, please call your American DJ® dealer. Make sure you send in your warranty card!

Free Manuals Download Website

<http://myh66.com>

<http://usermanuals.us>

<http://www.somanuals.com>

<http://www.4manuals.cc>

<http://www.manual-lib.com>

<http://www.404manual.com>

<http://www.luxmanual.com>

<http://aubethermostatmanual.com>

Golf course search by state

<http://golfingnear.com>

Email search by domain

<http://emailbydomain.com>

Auto manuals search

<http://auto.somanuals.com>

TV manuals search

<http://tv.somanuals.com>